



US00D852930S

(12) **United States Design Patent**  
**Kasper et al.**

(10) **Patent No.:** **US D852,930 S**  
(45) **Date of Patent:** **\*\* Jul. 2, 2019**

(54) **LUBRICANT DISPENSER WITH FUNNEL**

(71) Applicants: **Joseph A. Kasper**, Lexington, KY  
(US); **Steven B. Ruble**, Lexington, KY  
(US); **Keith Peshke**, Lexington, KY  
(US)

(72) Inventors: **Joseph A. Kasper**, Lexington, KY  
(US); **Steven B. Ruble**, Lexington, KY  
(US); **Keith Peshke**, Lexington, KY  
(US)

(73) Assignee: **Valvoline Licensing and Intellectual  
Property, LLC**, Lexington, KY (US)

(\*\*) Term: **15 Years**

(21) Appl. No.: **29/579,680**

(22) Filed: **Oct. 1, 2016**

(51) **LOC (11) Cl.** ..... **23-01**

(52) **U.S. Cl.**  
USPC ..... **D23/211.1; D9/527**

(58) **Field of Classification Search**  
USPC ..... D9/523-528, 533, 763-783; D23/211.1,  
D23/211.2, 212; D12/218  
CPC ..... B21D 51/26; B21D 51/383; B29C 66/71;  
B65D 1/40; B65D 1/0223; B65D 1/0246;  
B65D 17/163; B65D 17/165; B65D  
25/00; B65D 2215/02; B65D 2517/0094;  
B65D 2519/00502; B65D 2543/00296;  
Y10T 29/49826  
See application file for complete search history.

(56) **References Cited**

**U.S. PATENT DOCUMENTS**

D323,443 S \* 1/1992 Duran ..... D7/300  
D345,303 S \* 3/1994 Sykes ..... D9/528

D346,113 S \* 4/1994 Ferguson ..... D23/211.1  
D349,417 S \* 8/1994 Malmborg ..... D7/300  
D358,330 S \* 5/1995 Kahl ..... D23/211.1  
D366,387 S \* 1/1996 Malmborg ..... D7/312  
D376,540 S \* 12/1996 Boumil ..... D23/211.2  
D433,635 S \* 11/2000 Chrisco ..... D9/527  
D497,313 S \* 10/2004 Glover ..... D23/211.2  
D528,423 S \* 9/2006 Glover ..... D9/524  
D577,589 S \* 9/2008 Briessel ..... D9/524  
D581,481 S \* 11/2008 Edwards ..... D23/211  
D613,390 S \* 4/2010 Jorgensen ..... D23/366  
D648,632 S \* 11/2011 Ferguson ..... D9/524  
D732,393 S \* 6/2015 Senus ..... D9/528

\* cited by examiner

*Primary Examiner* — Keli L Hill

(74) *Attorney, Agent, or Firm* — Francis Law Firm  
PLLC; James M. Francis

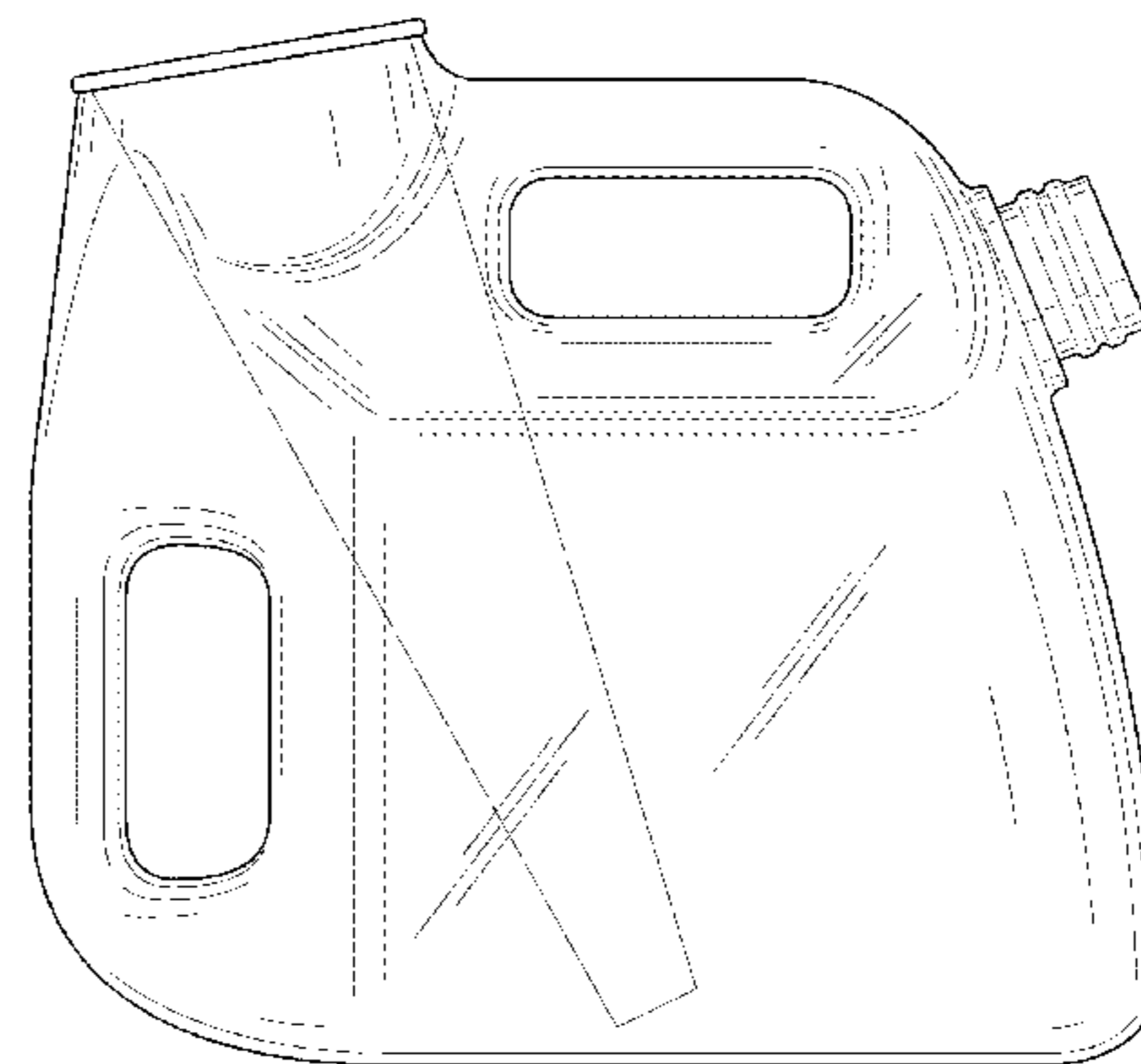
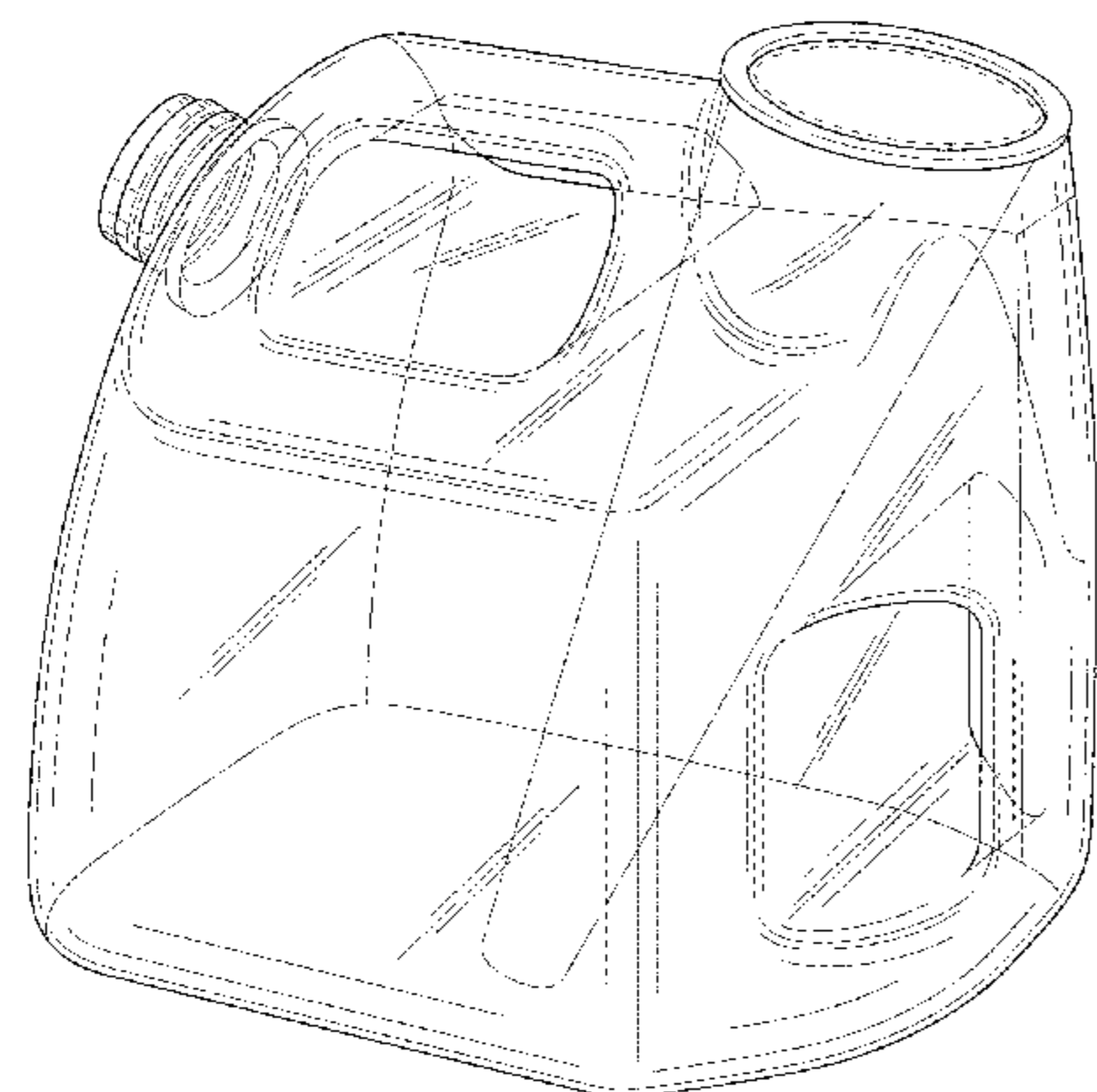
(57) **CLAIM**

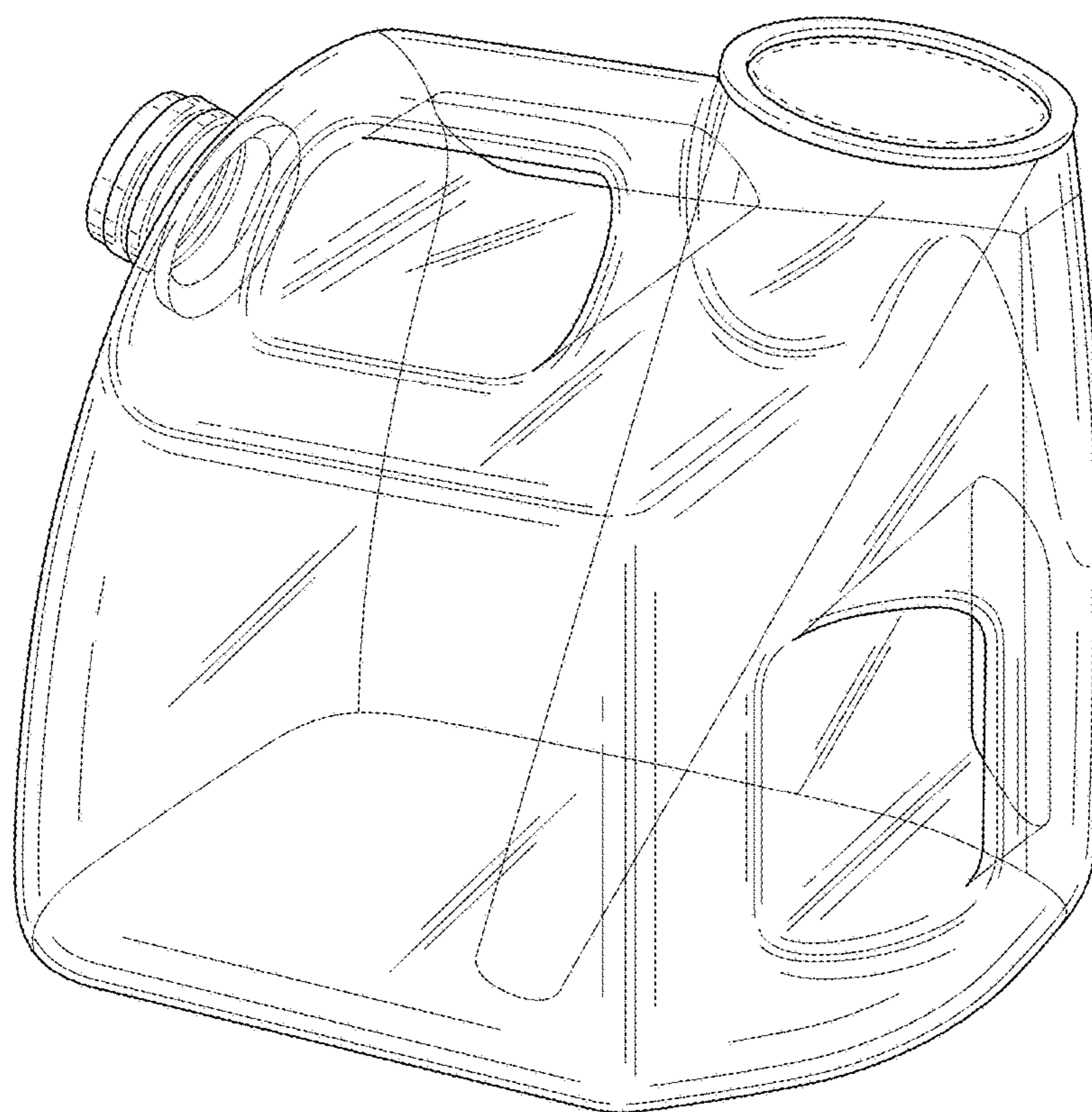
We claim the ornamental design for a lubricant dispenser with funnel, as shown and described.

**DESCRIPTION**

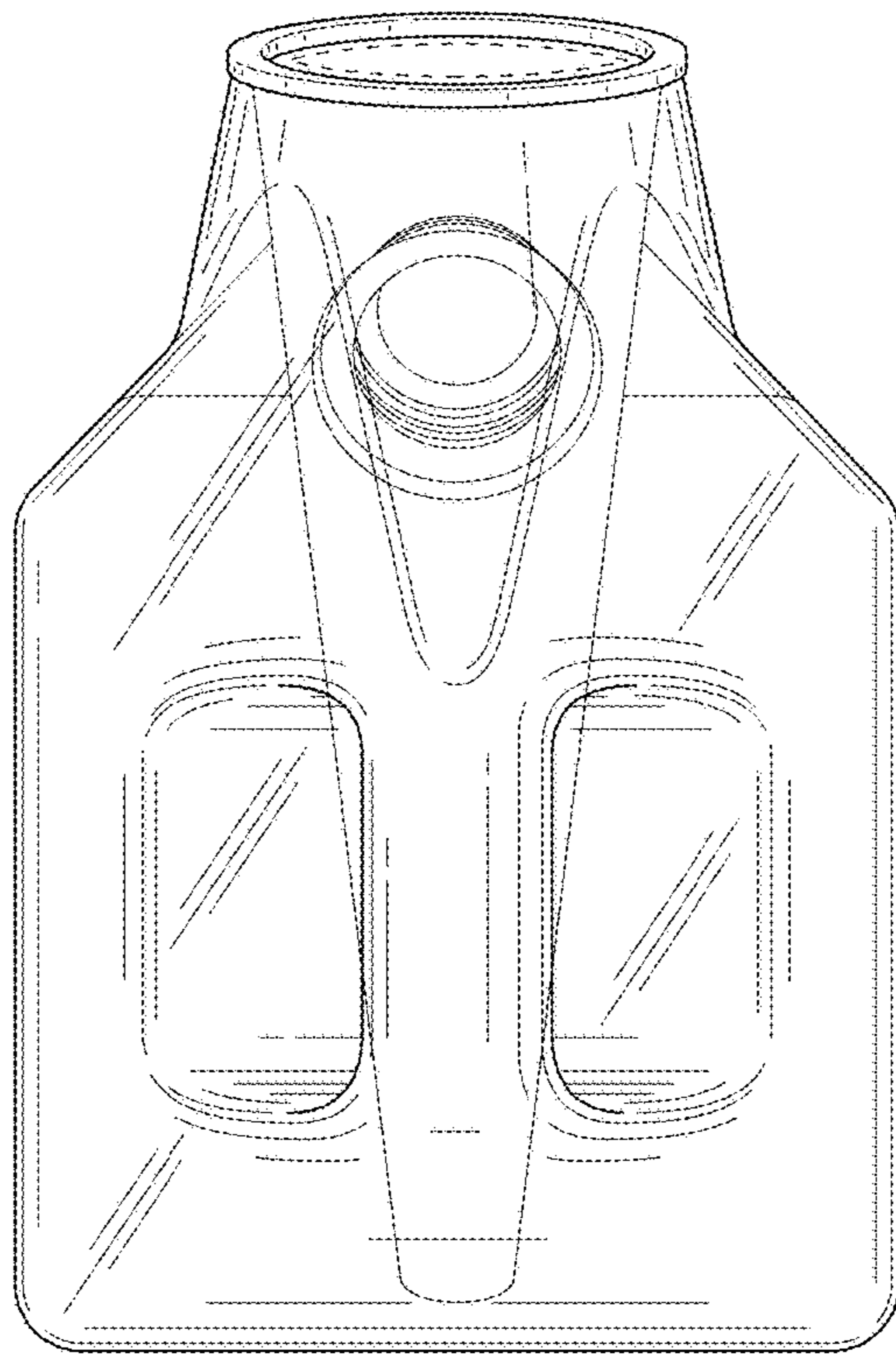
FIG. 1 is a right side anterior perspective view of a lubricant dispenser with funnel.  
FIG. 2 is an anterior view a lubricant dispenser with funnel.  
FIG. 3 is a posterior view a lubricant dispenser with funnel.  
FIG. 4 is a right side view of a lubricant dispenser with funnel.  
FIG. 5 is a left side view of a lubricant dispenser with funnel.  
FIG. 6 is a top view of a lubricant dispenser with funnel; and,  
FIG. 7 is a bottom view of a lubricant dispenser with funnel.  
The broken lines shown are included for the purpose of illustrating portions of the lubricant dispenser with funnel that form no part of the claim.

**1 Claim, 7 Drawing Sheets**

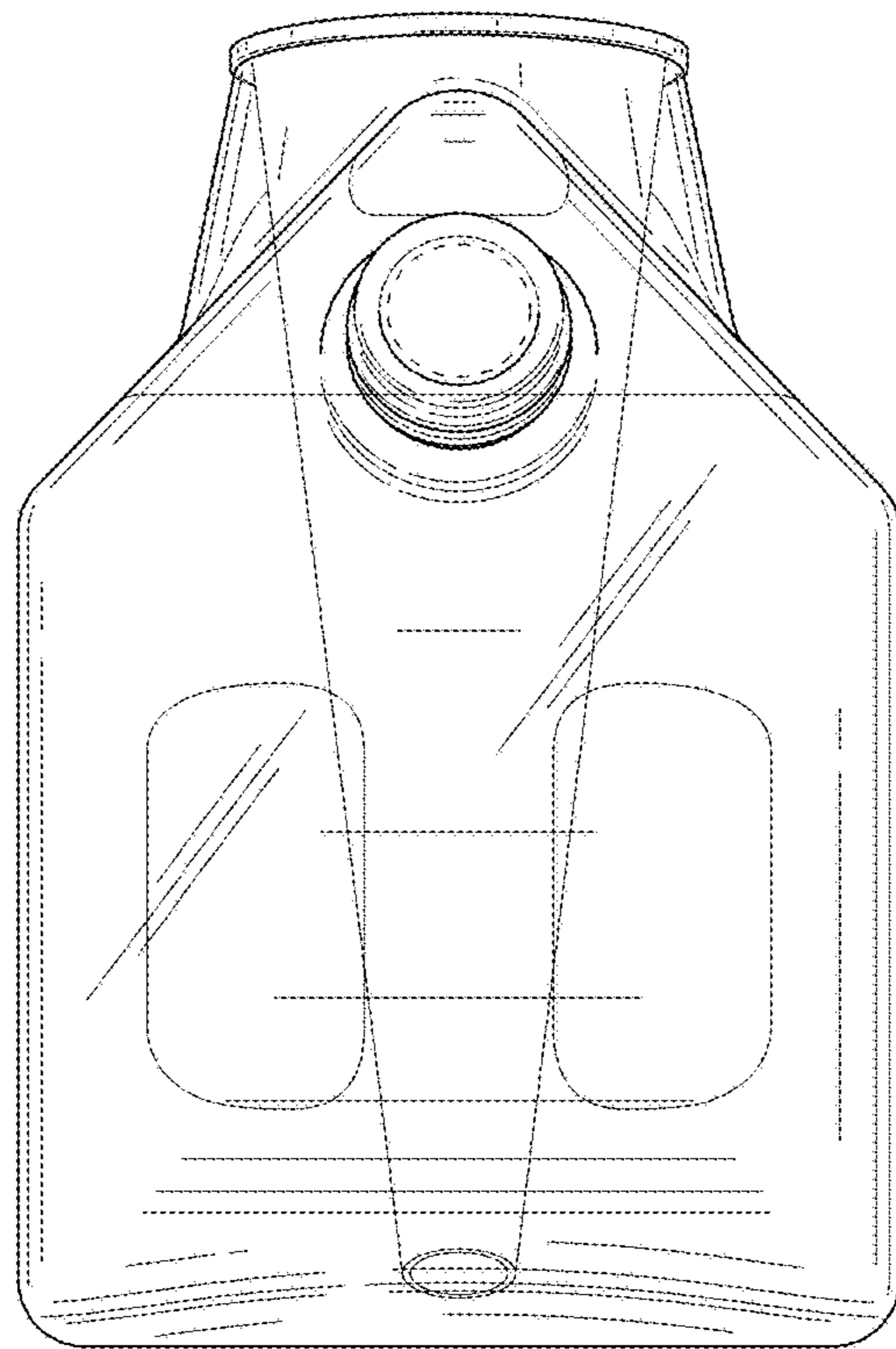




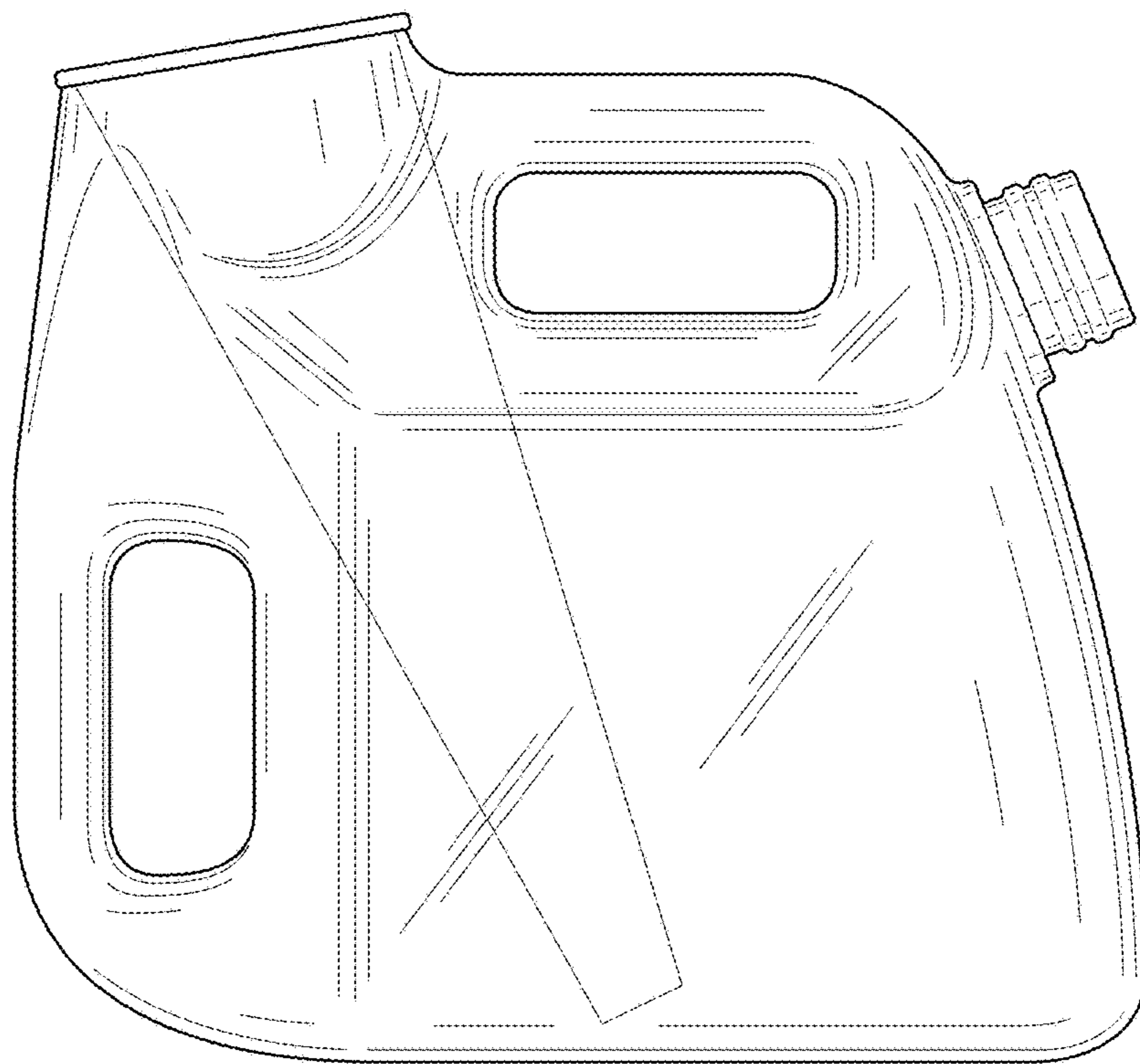
**FIG. 1**



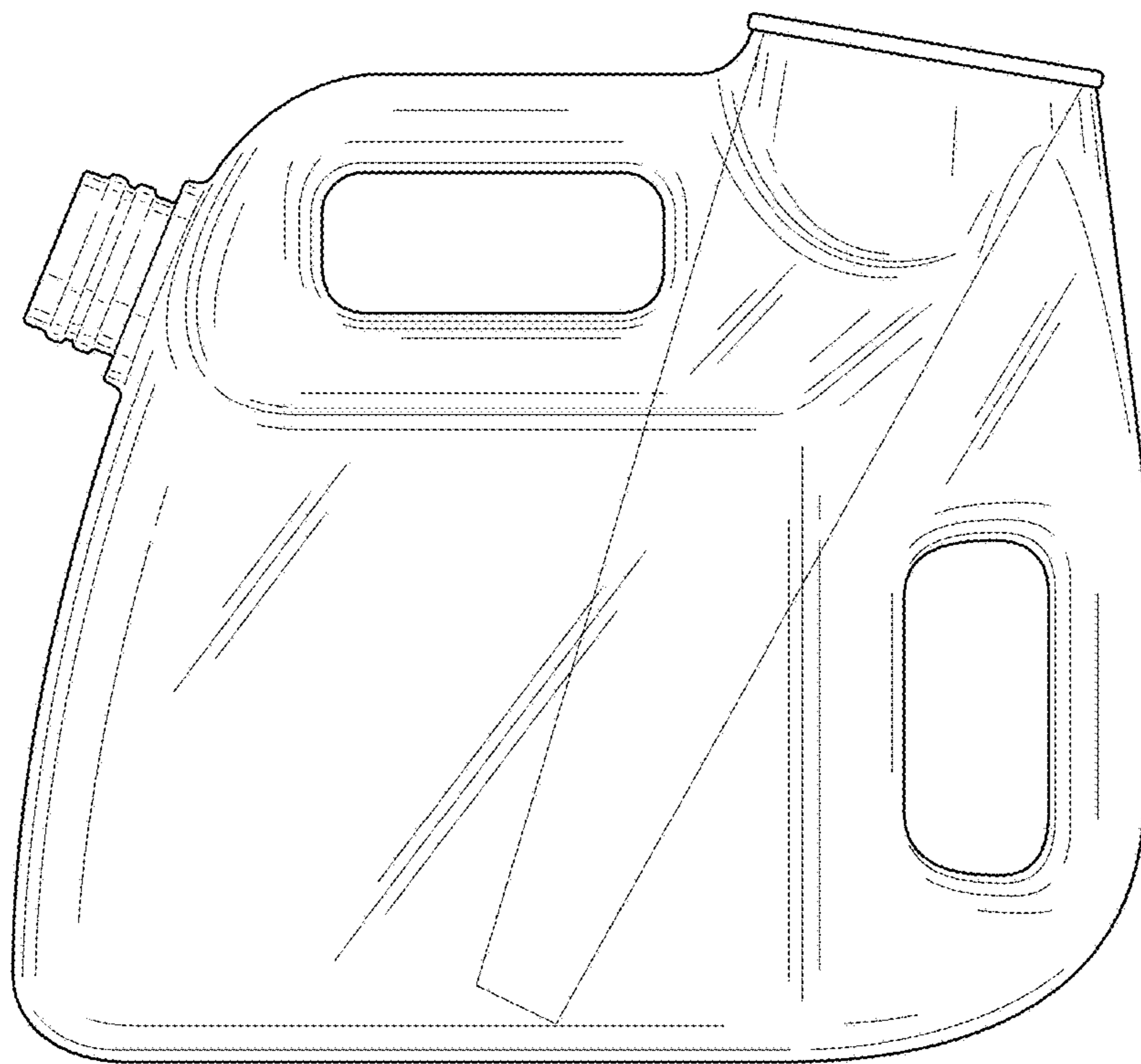
**FIG. 2**



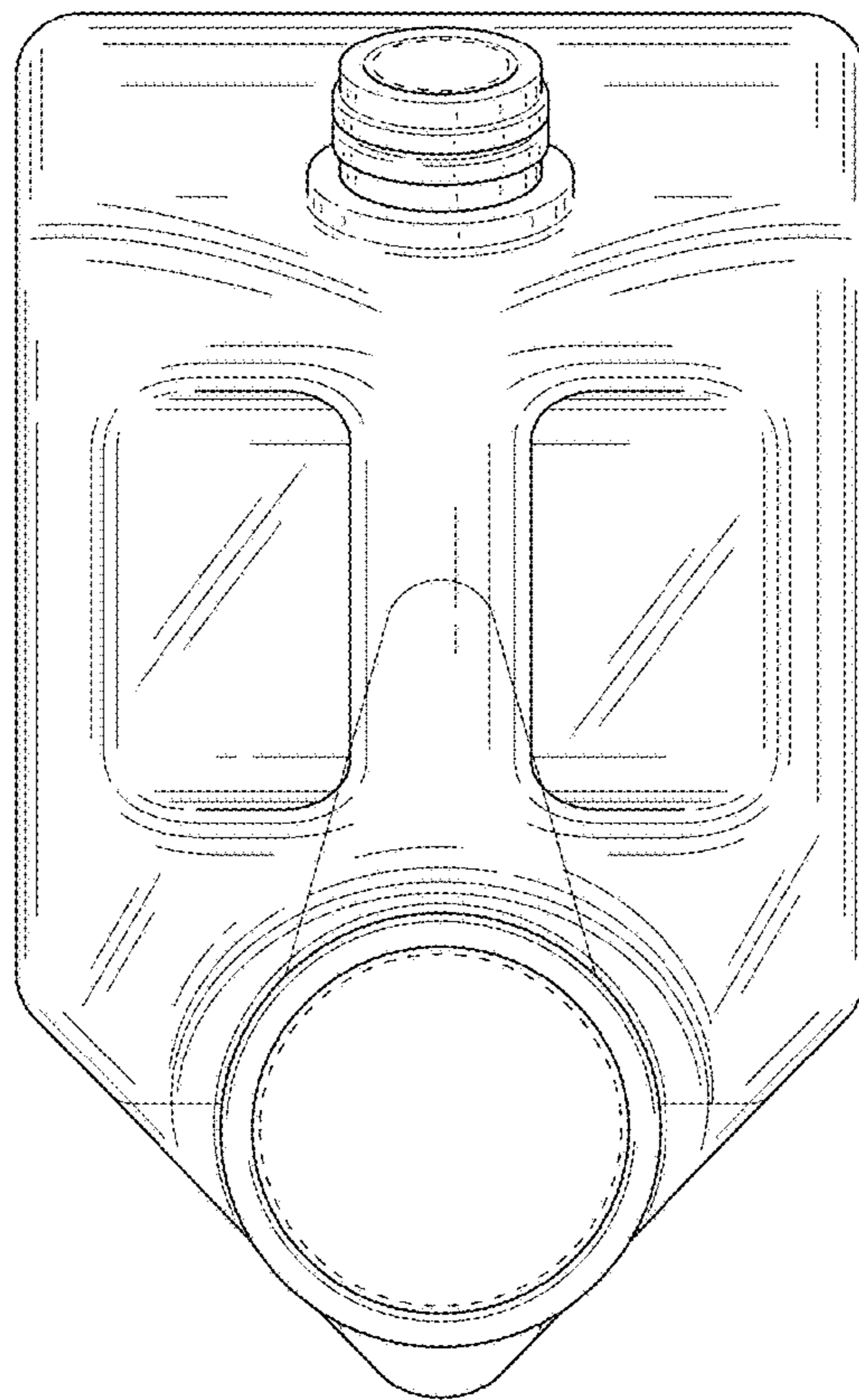
**FIG. 3**



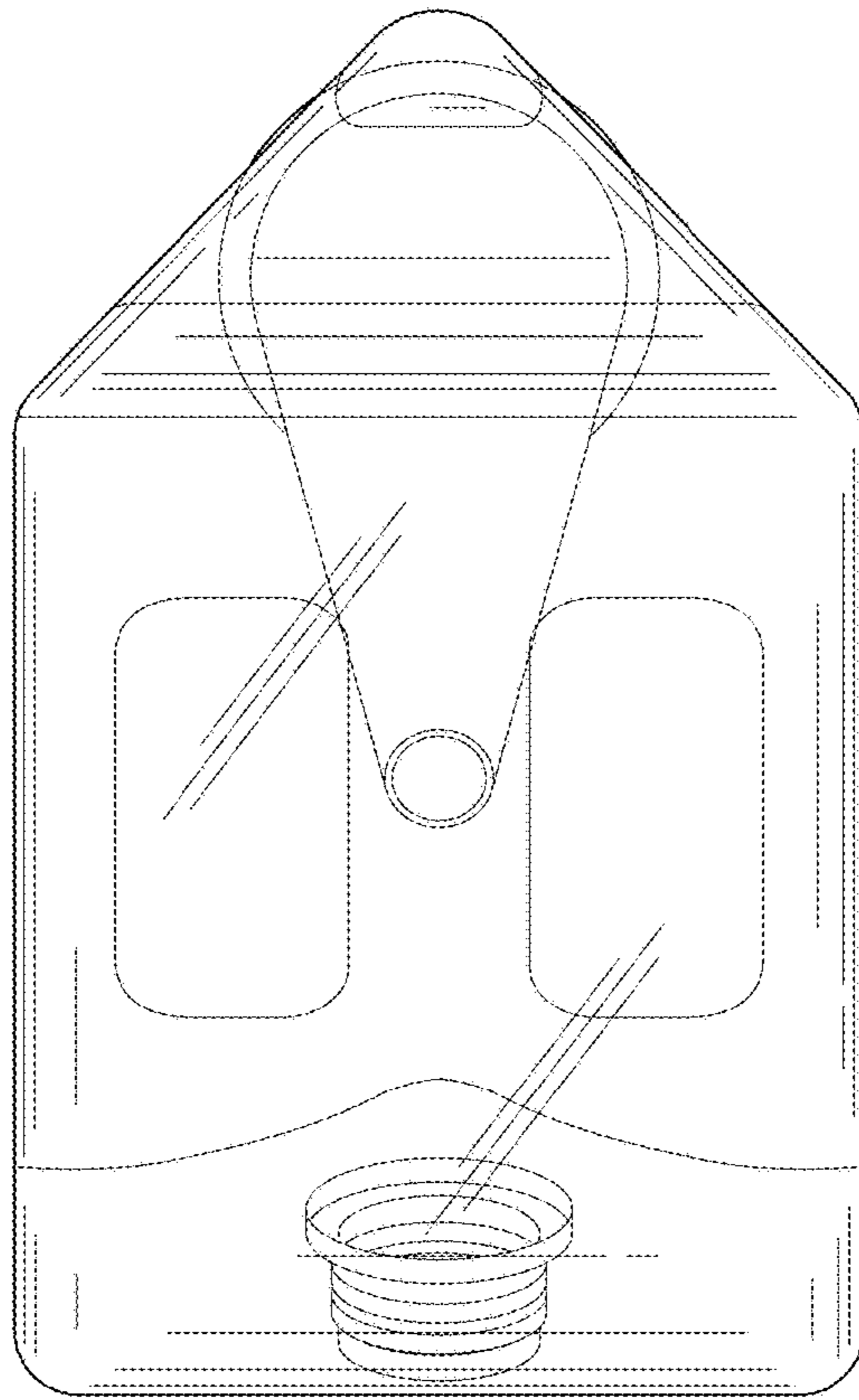
**FIG. 4**



**FIG. 5**



**FIG. 6**



**FIG. 7**