



US00D852927S

(12) **United States Design Patent** (10) **Patent No.:** **US D852,927 S**  
**Olliges et al.** (45) **Date of Patent:** **\*\* Jul. 2, 2019**

(54) **FISHING ROD HOLDER**

(71) Applicant: **Sea-Dog Corporation**, Everett, WA (US)

(72) Inventors: **Paul Olliges**, Everett, WA (US); **Jed Hawkes**, Everett, WA (US); **R. Lee Rawls**, Everett, WA (US)

(73) Assignee: **Sea-Dog Corporation**, Everett, WA (US)

(\*\*) Term: **15 Years**

(21) Appl. No.: **29/610,492**

(22) Filed: **Jul. 12, 2017**

(51) **LOC (11) Cl.** ..... **22-05**

(52) **U.S. Cl.**  
USPC ..... **D22/147**

(58) **Field of Classification Search**  
USPC ..... D22/147, 148; D8/355  
CPC ..... A01K 97/10; A01K 97/00  
See application file for complete search history.

(56) **References Cited**

**U.S. PATENT DOCUMENTS**

3,144,232	A *	8/1964	Smootz	.....	F23D 91/02 248/122.1
D219,972	S *	2/1971	Bennett	.....	43/21.2
D230,357	S *	2/1974	Ingram	.....	D22/147
D230,588	S *	3/1974	Miller	.....	D22/147
D246,661	S *	12/1977	Engblom	.....	D22/147
4,154,015	A *	5/1979	Holland	.....	A01K 97/10 43/17
4,807,384	A *	2/1989	Roberts, Sr.	.....	A01K 97/125 43/17
D307,170	S *	4/1990	Scott	.....	D22/147
5,121,565	A *	6/1992	Wille	.....	A01K 97/10 43/21.2
5,142,809	A *	9/1992	O'Brien	.....	A01K 97/10 248/514

(Continued)

**OTHER PUBLICATIONS**

“Pontoon Boat accessories Fun—13 Best Rod Holders.” Found online Jan. 28, 2019 at [www.pontoonboats.org](http://www.pontoonboats.org). Page dated Apr. 23, 2018. Retrieved from URL: <http://www.pontoonboats.org/pontoon-boat-accessories-fun-13-best-rod-holders/> (Year: 2018).\*

(Continued)

*Primary Examiner* — Garth Rademaker  
*Assistant Examiner* — Katelin G Kloberg

(74) *Attorney, Agent, or Firm* — Christensen O'Connor Johnson Kindness PLLC

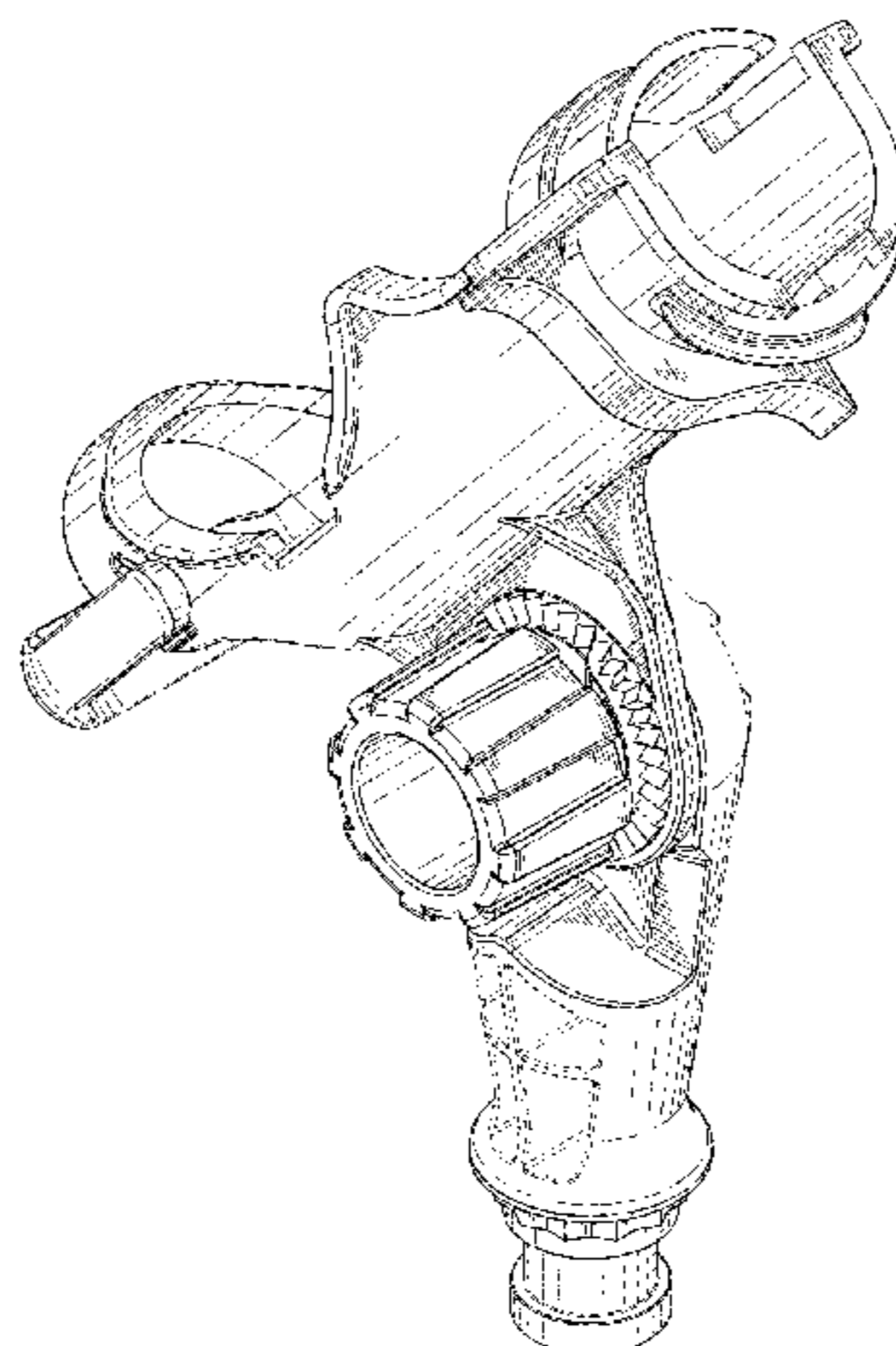
(57) **CLAIM**

The ornamental design for a fishing rod holder, as shown and described.

**DESCRIPTION**

FIG. 1 is a front left perspective view of a fishing rod holder in accordance with the present design;  
FIG. 2 is a back right perspective view of the fishing rod holder shown in FIG. 1;  
FIG. 3 is a front view of the fishing rod holder shown in FIG. 1;  
FIG. 4 is a back view of the fishing rod holder shown in FIG. 1;  
FIG. 5 is a top view of the fishing rod holder shown in FIG. 1;  
FIG. 6 is a bottom view of the fishing rod holder shown in FIG. 1;  
FIG. 7 is a left side view of the fishing rod holder shown in FIG. 1; and,  
FIG. 8 is a right side view of the fishing rod holder shown in FIG. 1.  
The broken line showing of recesses is for the purpose of illustrating portions of the fishing rod holder and forms no part of the claimed design.

**1 Claim, 7 Drawing Sheets**



(56)

References Cited

U.S. PATENT DOCUMENTS

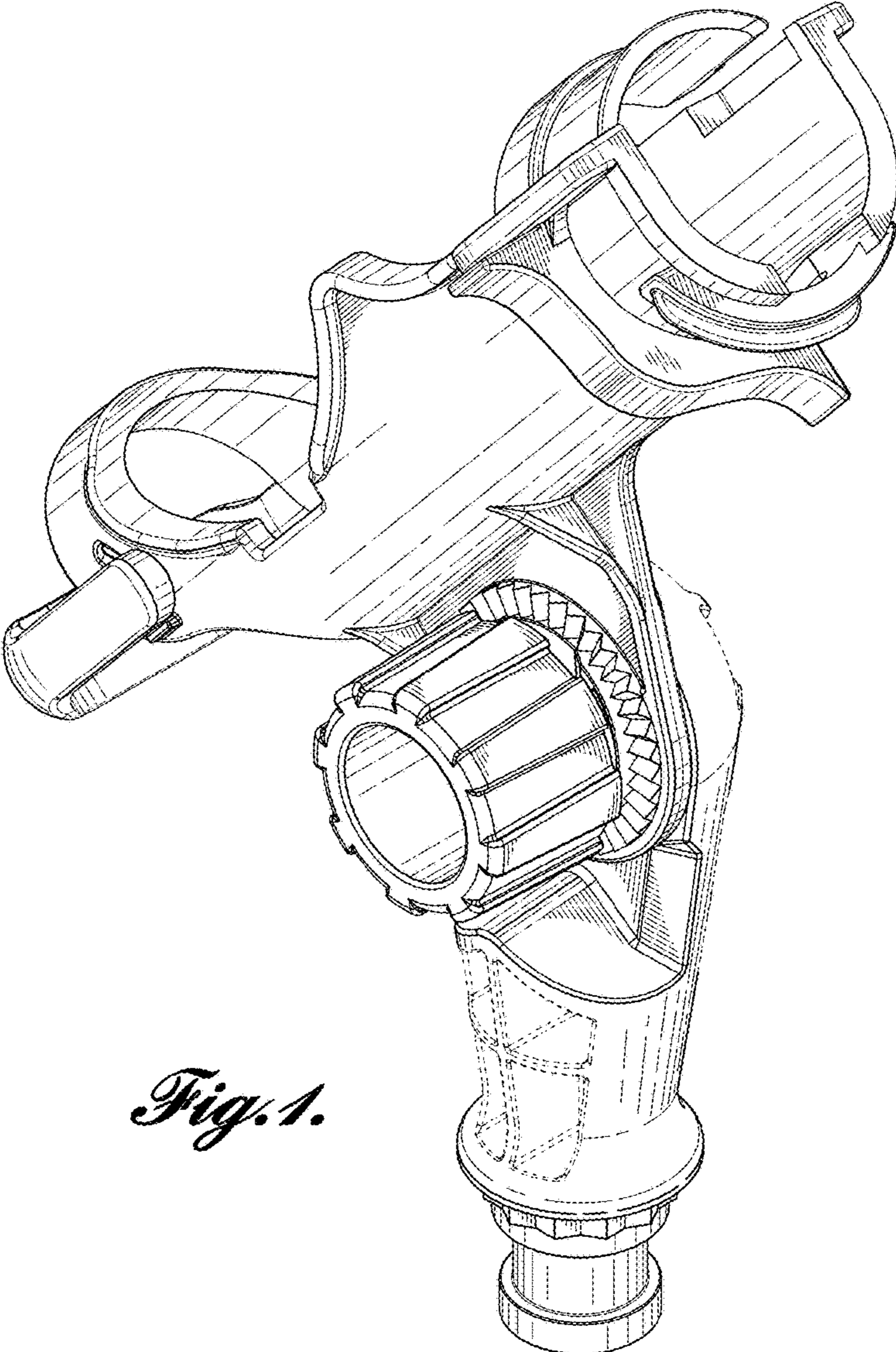
5,231,785 A \* 8/1993 Roberts ..... A01K 97/10  
 248/538  
 D348,717 S \* 7/1994 Ader ..... D22/147  
 5,845,885 A 12/1998 Carnevali  
 D443,020 S \* 5/2001 Ratza ..... D22/147  
 6,302,367 B1 \* 10/2001 Ratza ..... A01K 97/10  
 248/515  
 D564,062 S 3/2008 Carnevali  
 7,406,795 B1 8/2008 Follmar  
 7,774,973 B2 \* 8/2010 Carnevali ..... A01K 97/10  
 248/276.1  
 7,849,630 B2 \* 12/2010 Carnevali ..... A01K 97/10  
 43/21.2  
 RE42,060 E 1/2011 Carnevali  
 RE42,581 E 8/2011 Carnevali  
 8,024,886 B2 9/2011 Sutherland et al.  
 8,156,681 B2 \* 4/2012 Carnevali ..... A01K 97/10  
 43/21.2  
 RE43,806 E 11/2012 Carnevali  
 9,360,035 B2 6/2016 Carnevali  
 D820,382 S \* 6/2018 Pratt ..... D22/147  
 2002/0116860 A1 \* 8/2002 Ernst ..... A01K 97/10  
 43/21.2

2008/0155881 A1 \* 7/2008 Carnevali ..... A01K 97/10  
 43/21.2  
 2009/0084019 A1 \* 4/2009 Carnevali ..... A01K 97/10  
 43/21.2  
 2011/0225870 A1 \* 9/2011 Carnevali ..... A01K 97/10  
 43/21.2  
 2015/0181854 A1 \* 7/2015 Vannieuwenhoven .....  
 A01K 97/10  
 43/21.2  
 2016/0255823 A1 \* 9/2016 Thomas ..... A01K 97/10  
 2019/0014767 A1 \* 1/2019 Carnevali ..... A01K 97/10

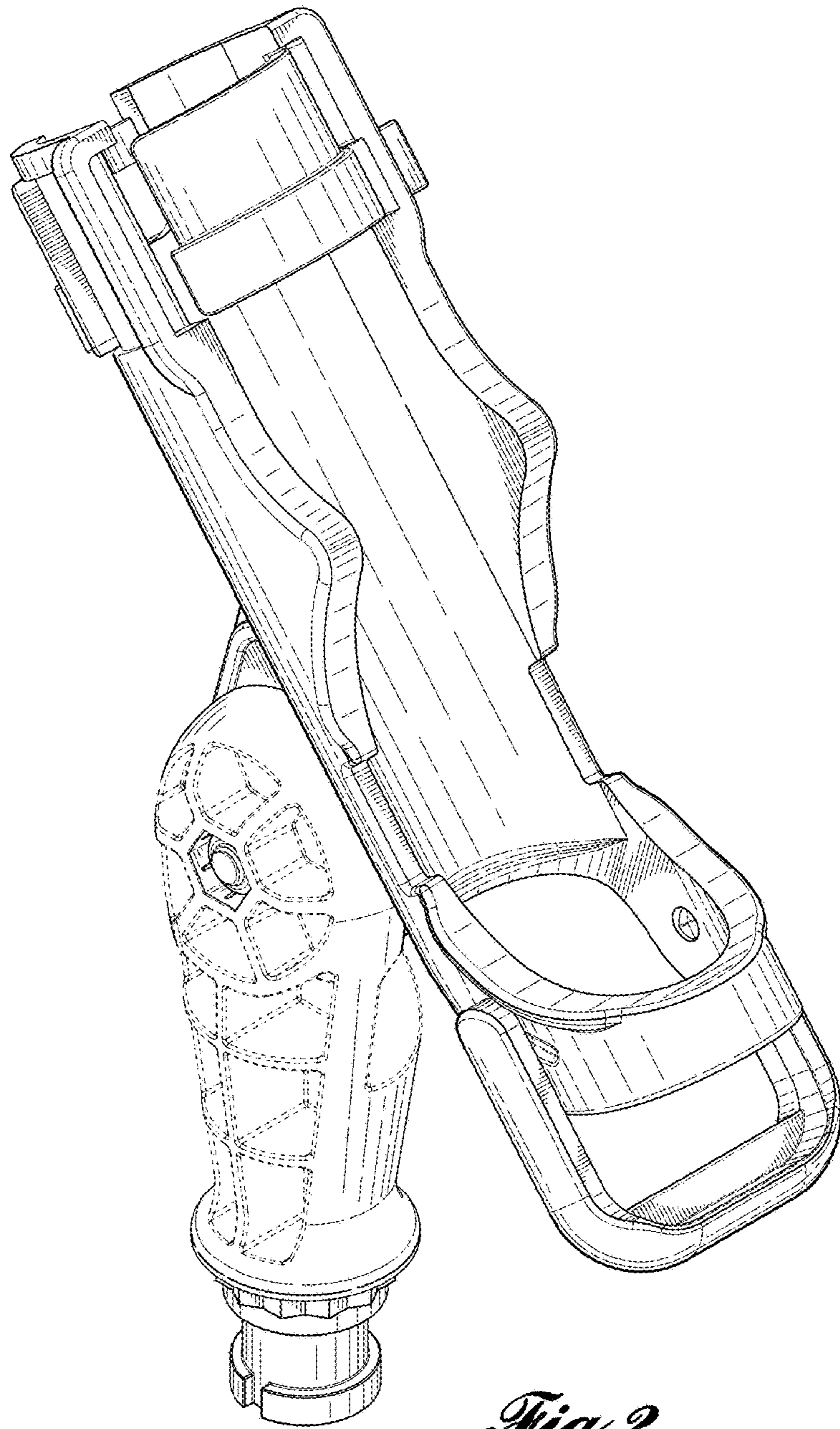
OTHER PUBLICATIONS

“Scotty #230 Powerlock Rod Holder.” Found online Jan. 28, 2019 at [www.amazon.com](http://www.amazon.com). Page dated Sep. 30, 2013. Retrieved from URL: [https://www.amazon.com/Scotty-230-WH-Power-Holder-White/dp/B001N4QY5W?ref\\_=fsclp\\_pl\\_dp\\_13](https://www.amazon.com/Scotty-230-WH-Power-Holder-White/dp/B001N4QY5W?ref_=fsclp_pl_dp_13) (Year: 2013).  
 “YakAttack Omega Rod Holder.” Found online Jan. 28, 2019 at [www.amazon.com](http://www.amazon.com). Page dated May 26, 2018. Retrieved from URL: [https://www.amazon.com/dp/B078PL9DW8/ref=sspa\\_dk\\_detail\\_7?psc=1&smid=A3U06N8F90FXV2](https://www.amazon.com/dp/B078PL9DW8/ref=sspa_dk_detail_7?psc=1&smid=A3U06N8F90FXV2) (Year: 2018).  
 “Plusinno Fishing Boat Rods Holder.” Found online Jan. 29, 2019 at [www.amazon.com](http://www.amazon.com). Page dated Jan. 11, 2016. Retrieved from URL: <https://tinyurl.com/y94r6jww> (Year: 2016).

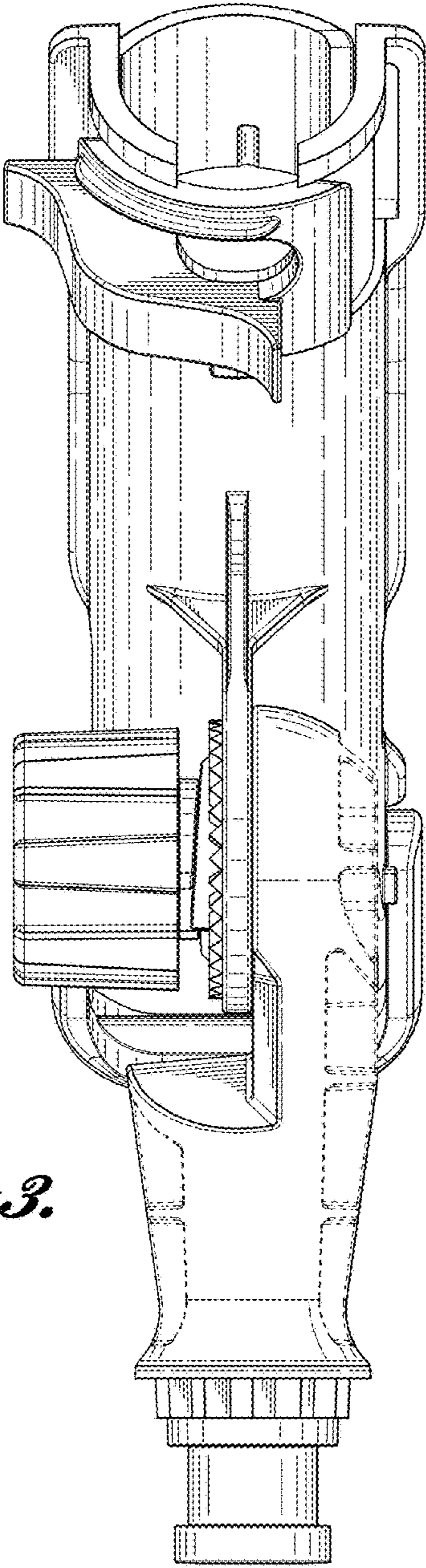
\* cited by examiner



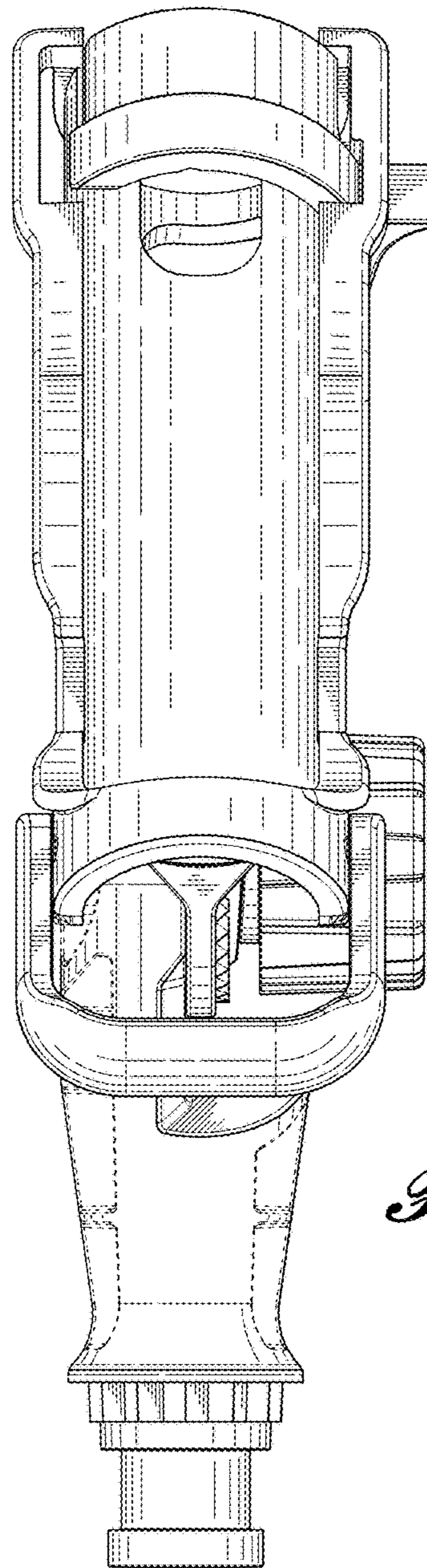
*Fig. 1.*



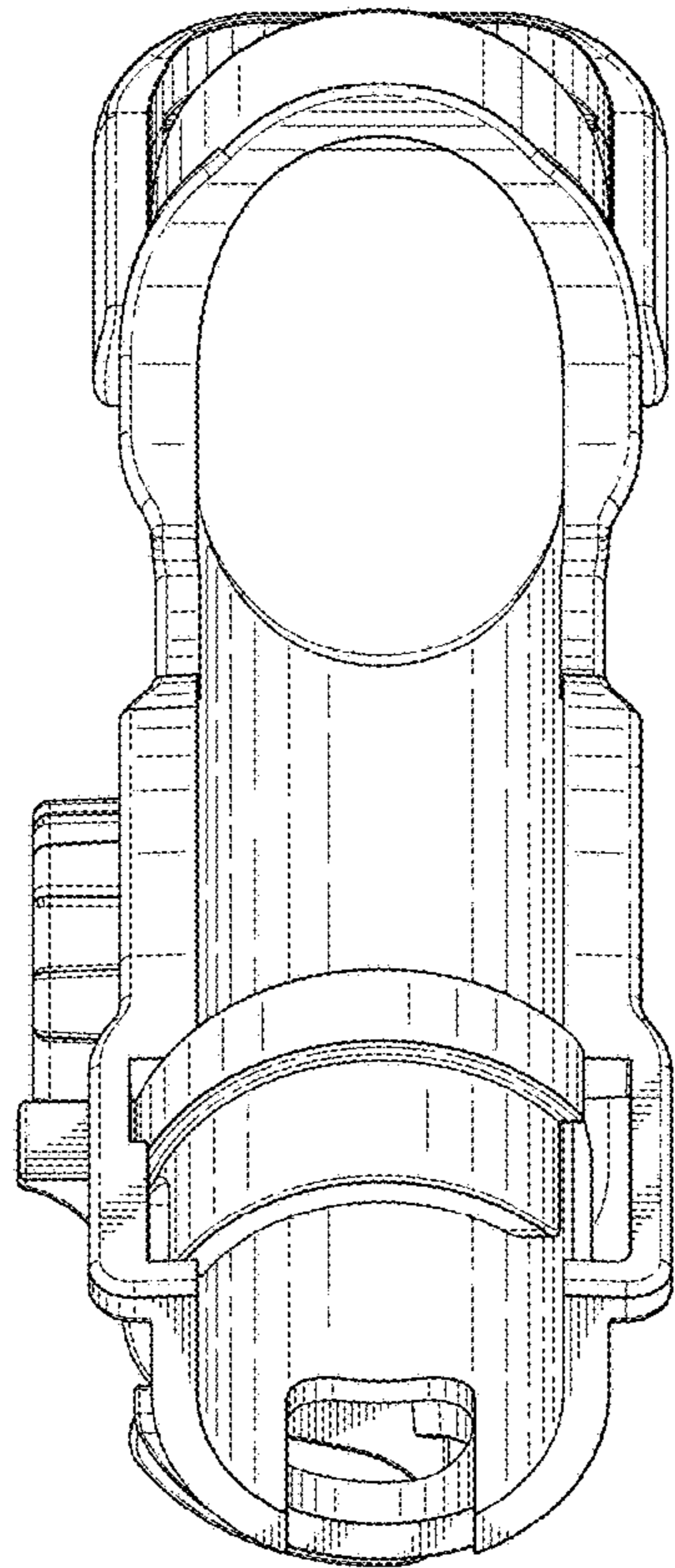
*Fig. 2.*



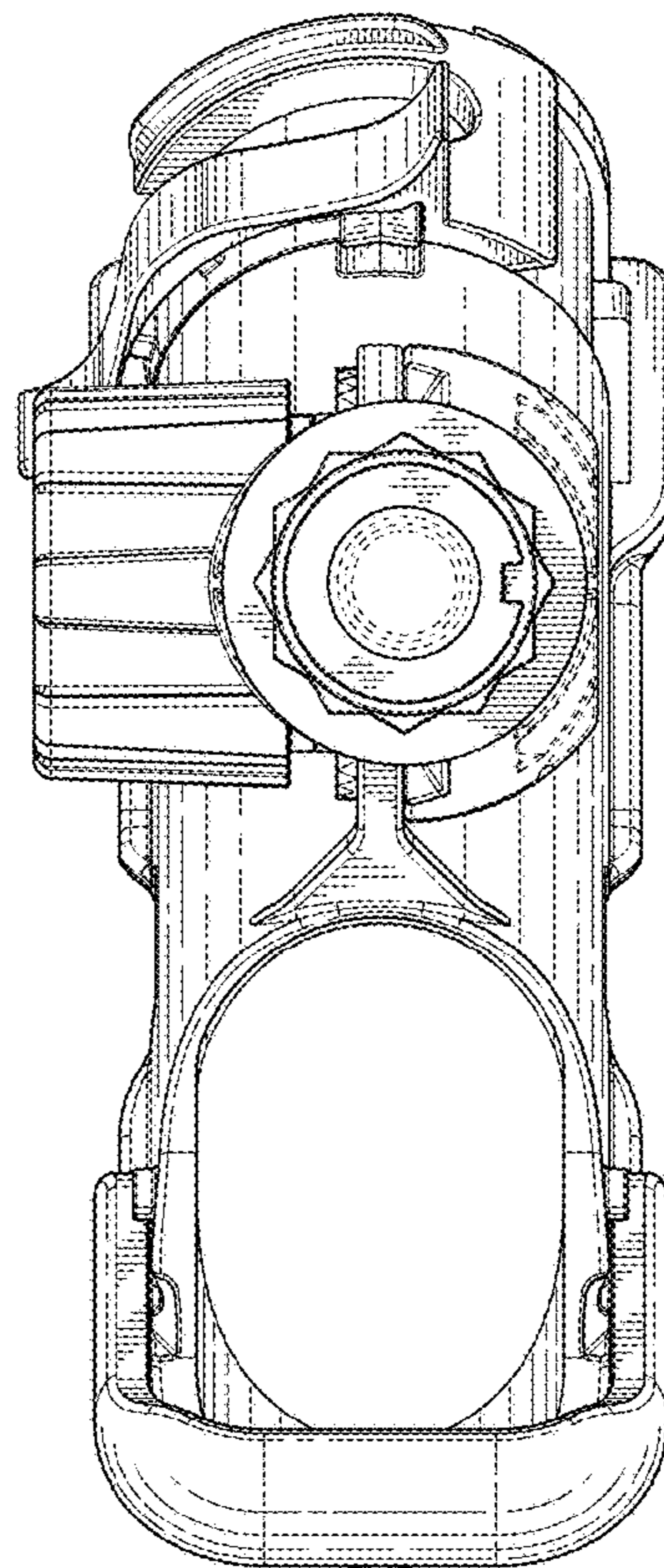
*Fig. 3.*



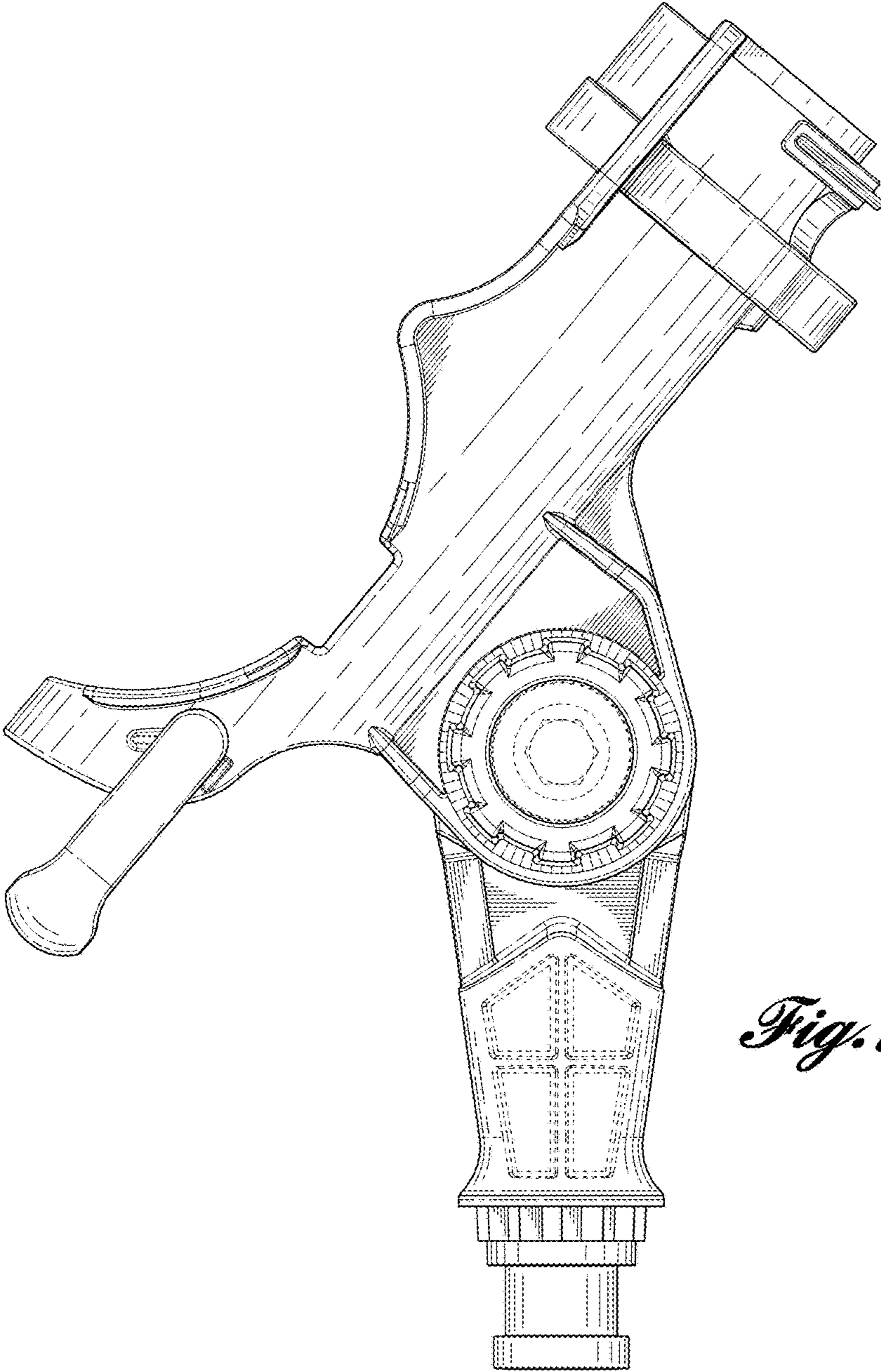
*Fig. 4.*



*Fig. 5.*



*Fig. 6.*



*Fig. 7.*



