



US00D852925S

(12) **United States Design Patent** (10) **Patent No.:** **US D852,925 S**  
**Vericella et al.** (45) **Date of Patent:** **\*\* Jul. 2, 2019**

(54) **FISHING LURE**

(71) Applicants: **Robert Vericella**, Bloomington, IL (US); **Bob Angello**, Hermitage, TN (US)

(72) Inventors: **Robert Vericella**, Bloomington, IL (US); **Bob Angello**, Hermitage, TN (US)

(\*\*) Term: **15 Years**

(21) Appl. No.: **29/641,950**

(22) Filed: **Mar. 26, 2018**

(51) **LOC (11) Cl.** ..... **22-05**

(52) **U.S. Cl.**  
USPC ..... **D22/128**

(58) **Field of Classification Search**  
USPC ..... D22/126-133; 43/42.51, 42.28, 42.32, 43/42.14, 42.15, 42.5, 42.2, 42.13; D11/8, 40  
CPC ..... A01K 85/00; A01K 85/10; A01K 85/12; A01K 85/14  
See application file for complete search history.

(56) **References Cited**

**U.S. PATENT DOCUMENTS**

1,620,972	A *	3/1927	Hobbs	.....	A01K 85/10 43/42.14
2,123,150	A *	7/1938	Larson	.....	A01K 85/12 43/42.28
3,110,979	A *	11/1963	Woodley	.....	A01K 85/00 43/42.13
3,165,857	A *	1/1965	Koziba	.....	A01K 85/18 43/42.15
D223,354	S *	4/1972	Harris	.....	43/42.21
D326,827	S *	6/1992	Peterson	.....	D11/40
D346,848	S *	5/1994	Wenger	.....	D22/126

D360,014	S *	7/1995	Davis	.....	D22/129
D386,556	S *	11/1997	Magers	.....	D22/126
6,082,037	A *	7/2000	Malouf	.....	A01K 85/14 43/42.14

**OTHER PUBLICATIONS**

Coomi.com, Triple Coin Earrings (Year: 2019).\*

\* cited by examiner

*Primary Examiner* — Catherine R Oliver-Garcia  
(74) *Attorney, Agent, or Firm* — Quickpatents, LLC; Kevin Prince

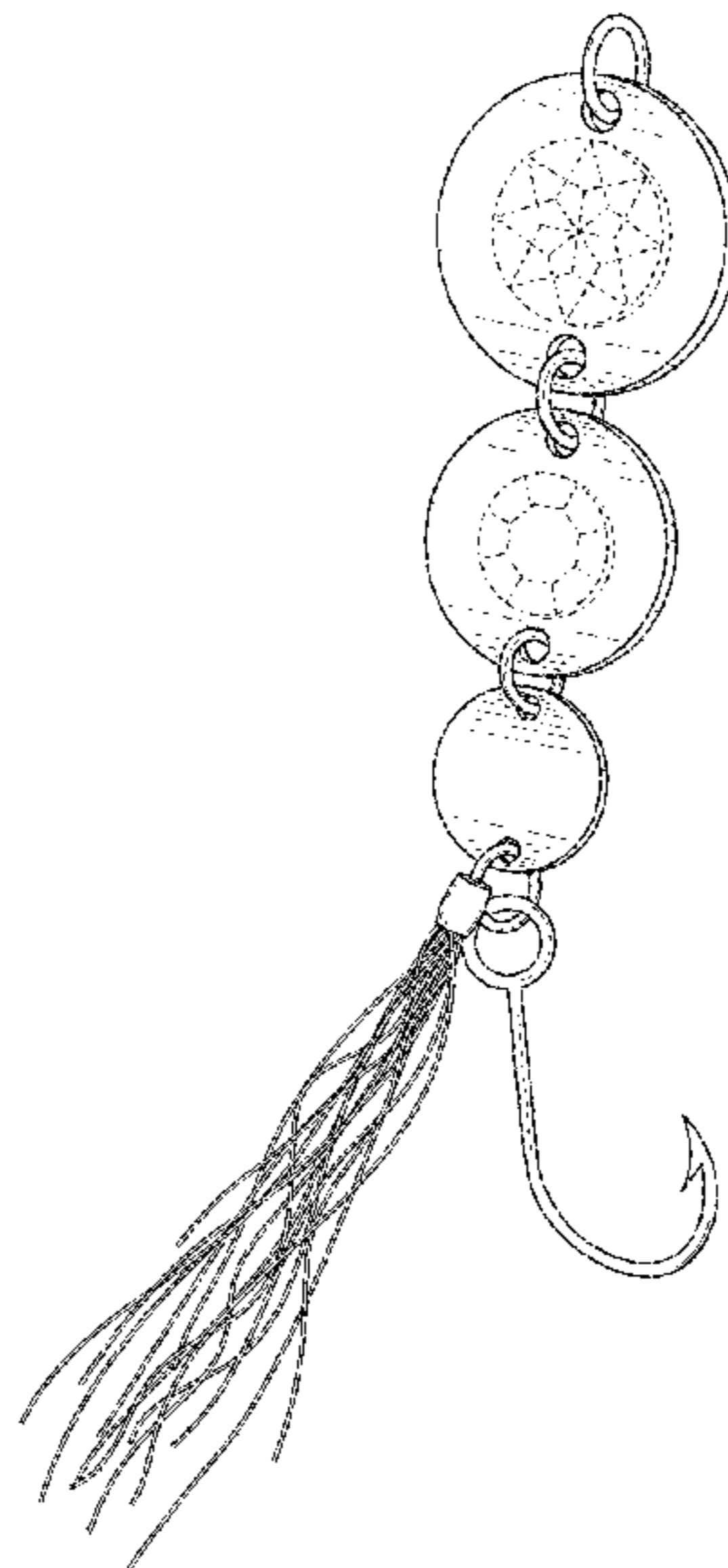
(57) **CLAIM**

We claim the ornamental design for a fishing lure, as shown and described.

**DESCRIPTION**

FIG. 1 is a perspective view of a fishing lure, showing a first embodiment of our new design; FIG. 2 is a front elevational view of FIG. 1; FIG. 3 is a rear elevational view of FIG. 1; FIG. 4 is a right-side elevational view of FIG. 1; FIG. 5 is a left-side elevational view of FIG. 1; FIG. 6 is a top plan view of FIG. 1; FIG. 7 is a bottom plan view of FIG. 1; FIG. 8 is a perspective view of a second embodiment thereof; FIG. 9 is a front elevational view of FIG. 8; FIG. 10 is a rear elevational view of FIG. 8; FIG. 11 is a right-side elevational view of FIG. 8; FIG. 12 is a left-side elevational view of FIG. 8; FIG. 13 is a top plan view of FIG. 8; and, FIG. 14 is a bottom plan view of FIG. 8. The broken lines showing a jewels on the front side of the fishing lure and wavy lines on the rear side of the fishing lure depict portions of the fishing lure that form no part of the claimed design.

**1 Claim, 7 Drawing Sheets**



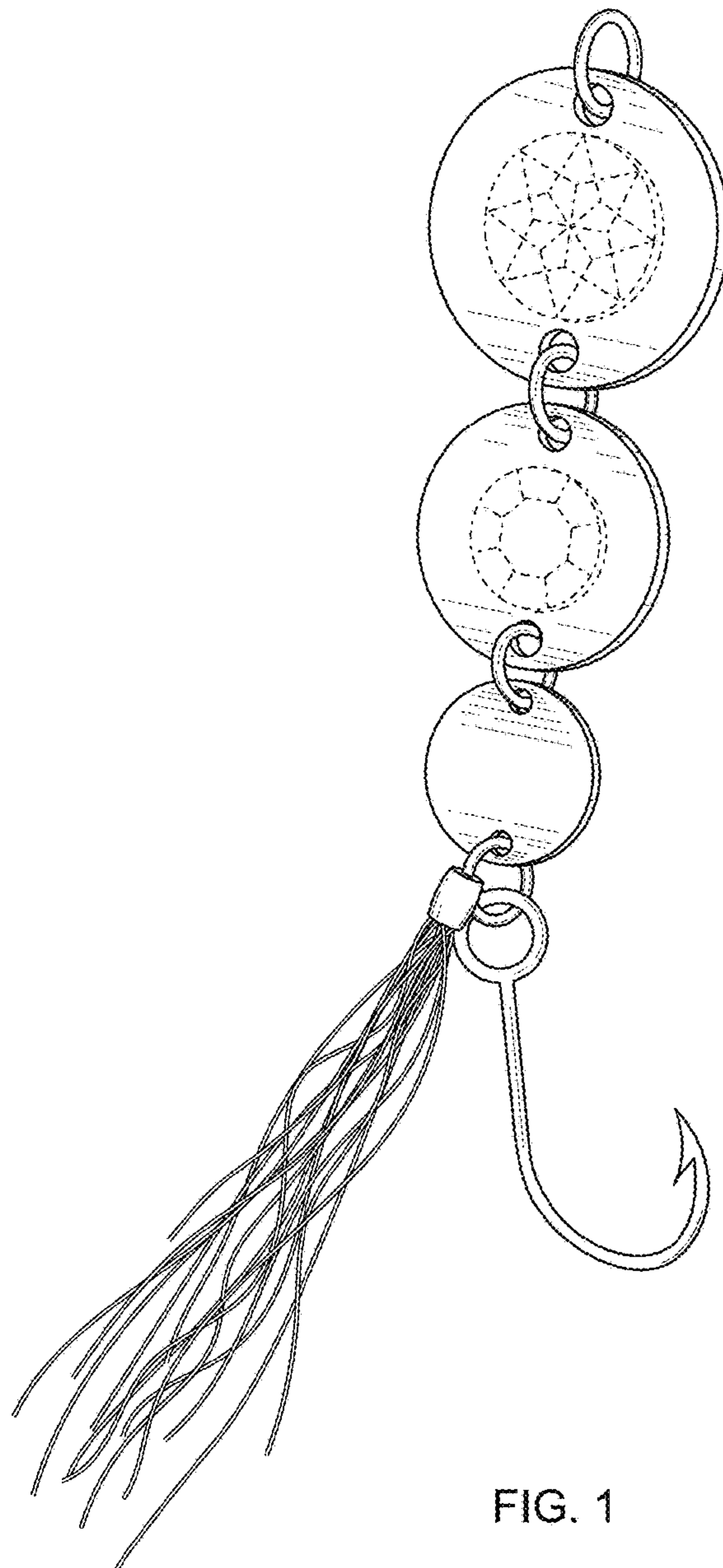
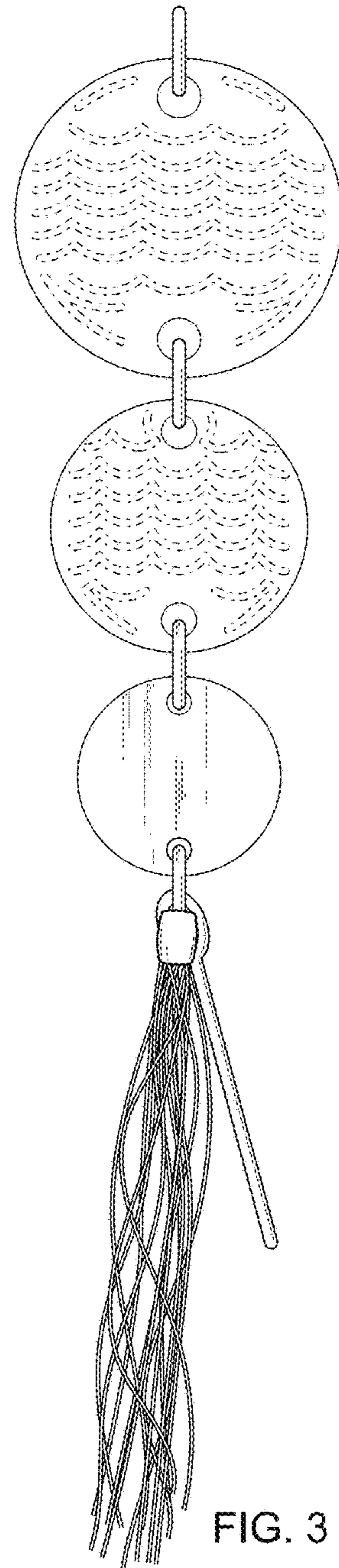
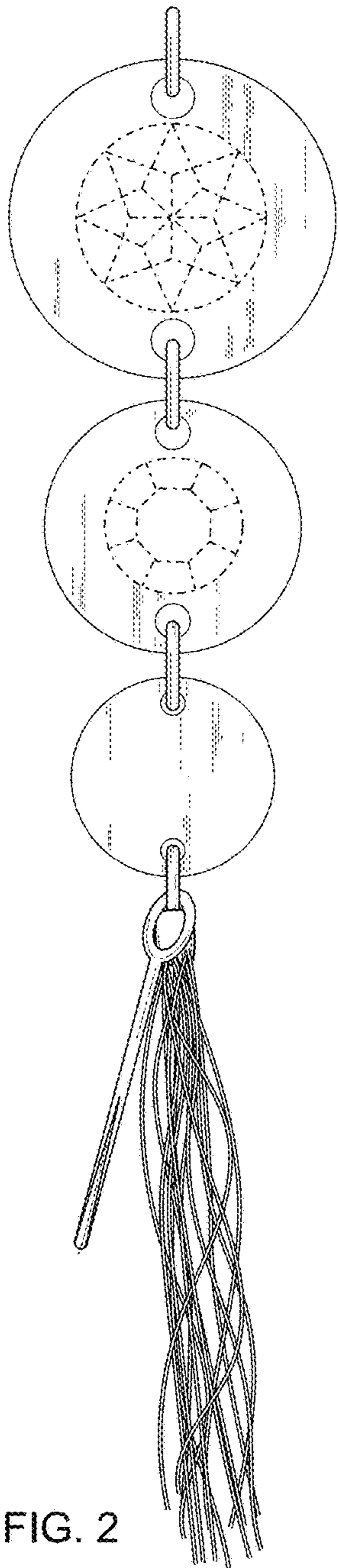


FIG. 1



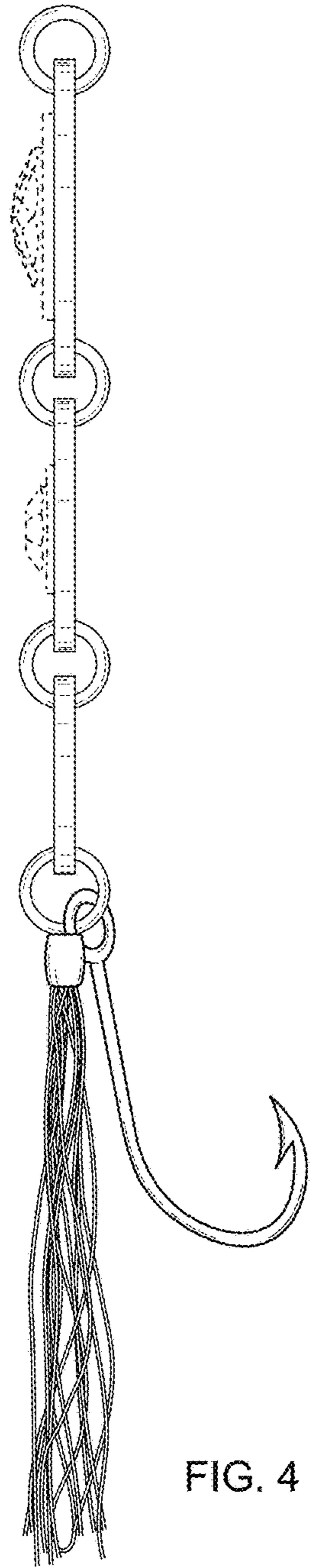


FIG. 4

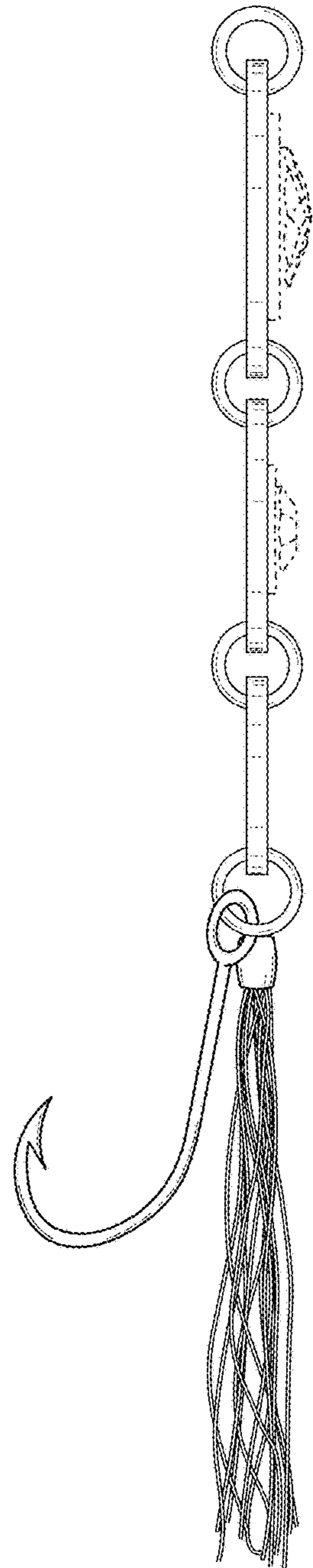


FIG. 5

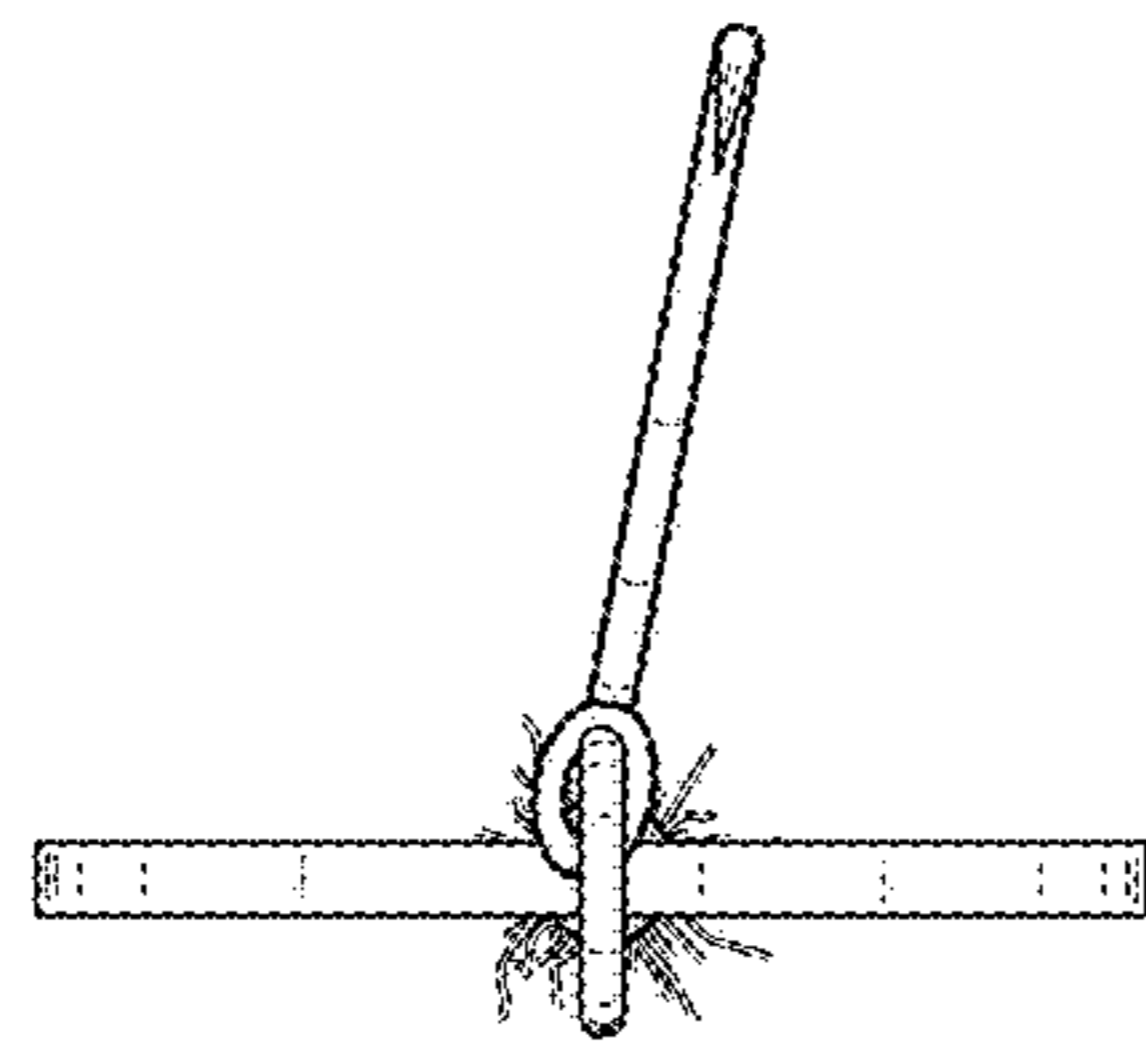


FIG. 6

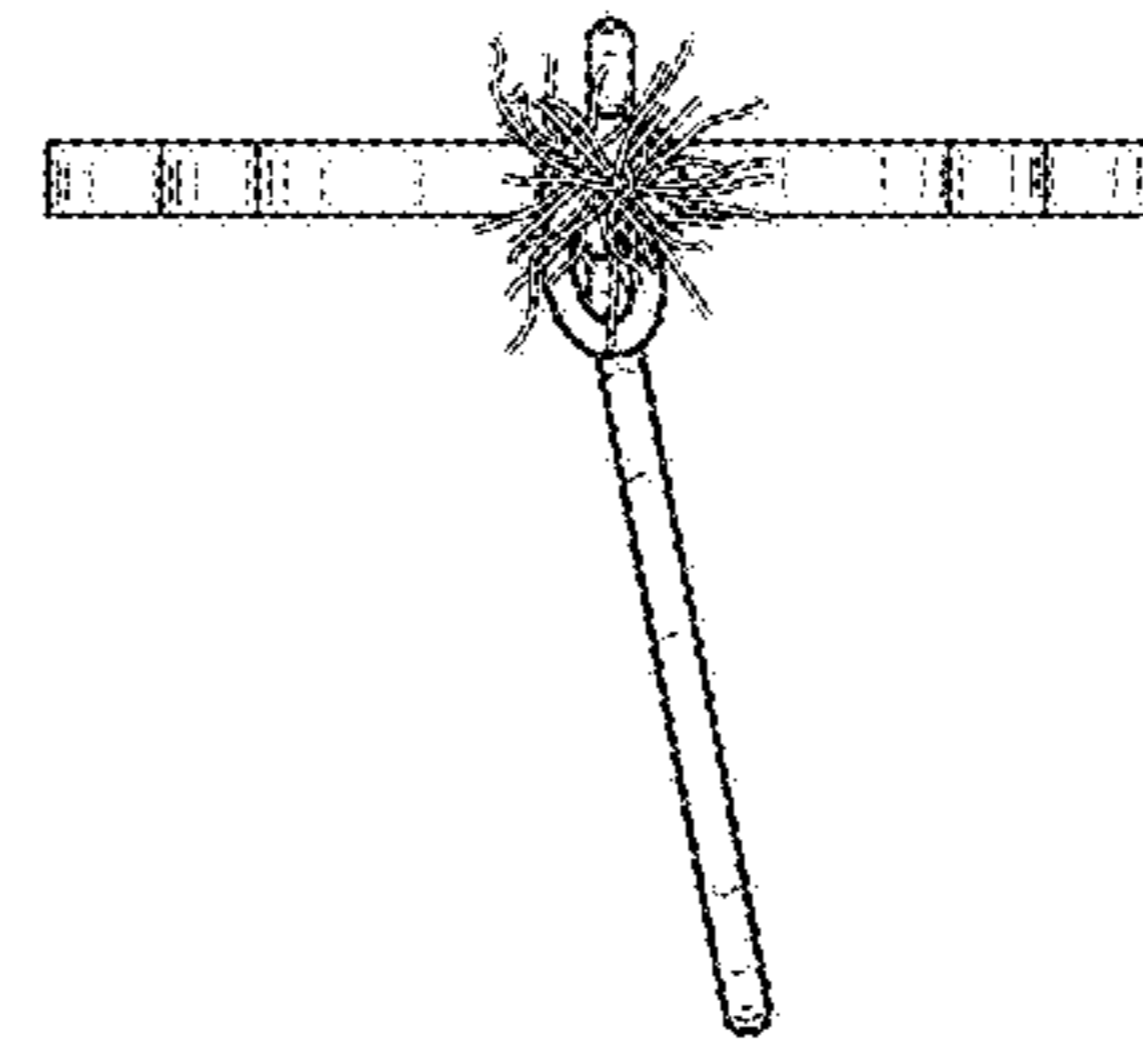


FIG. 7

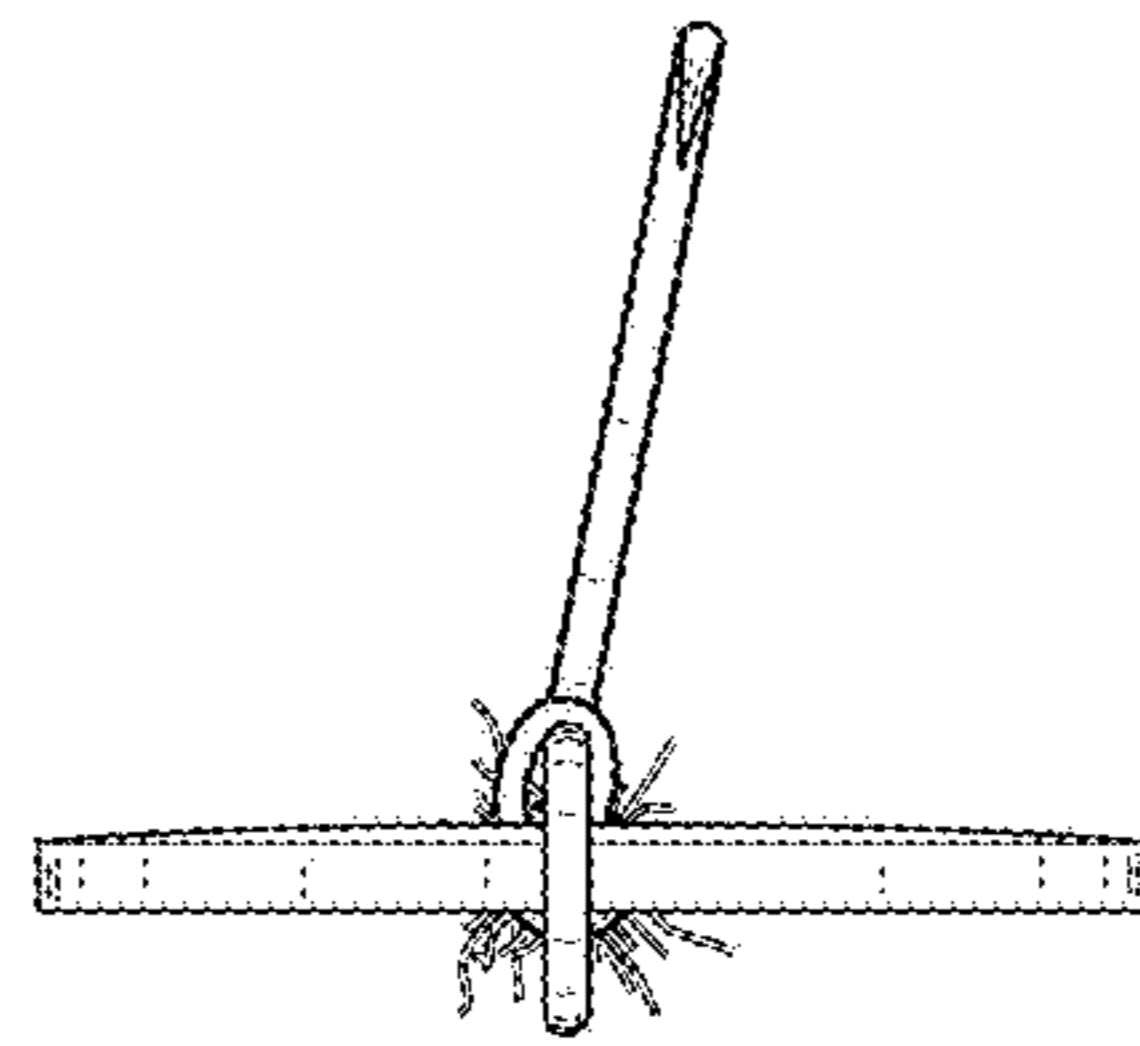


FIG. 13

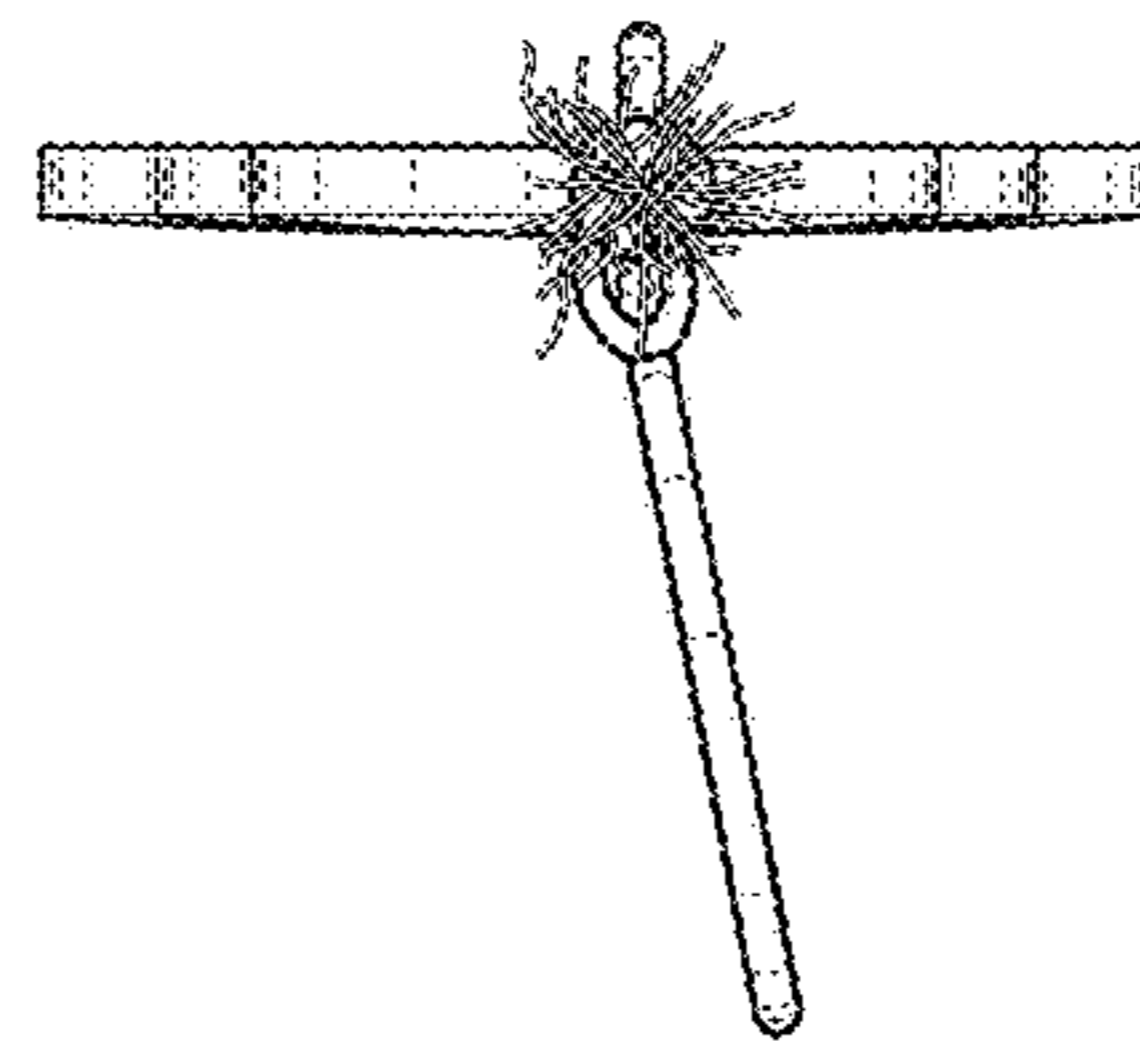
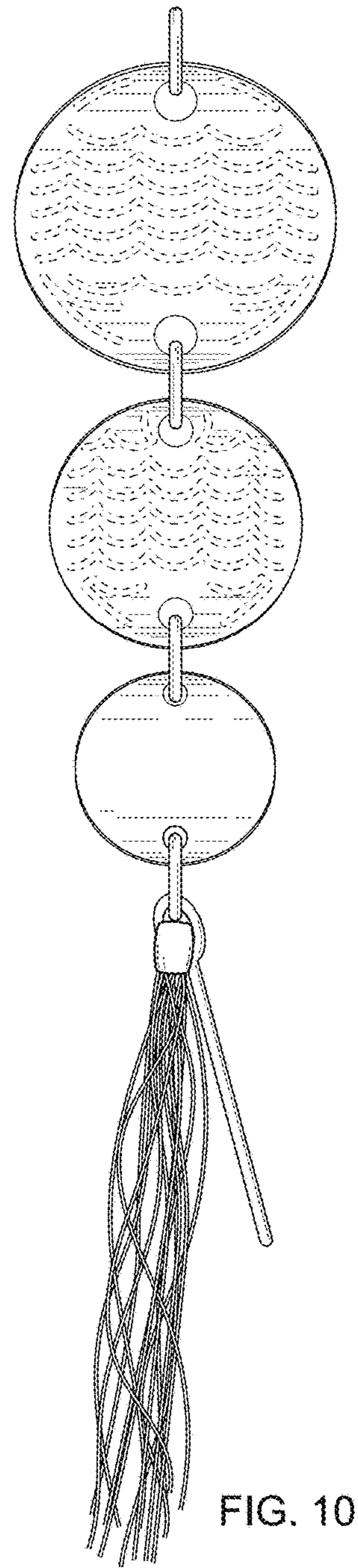
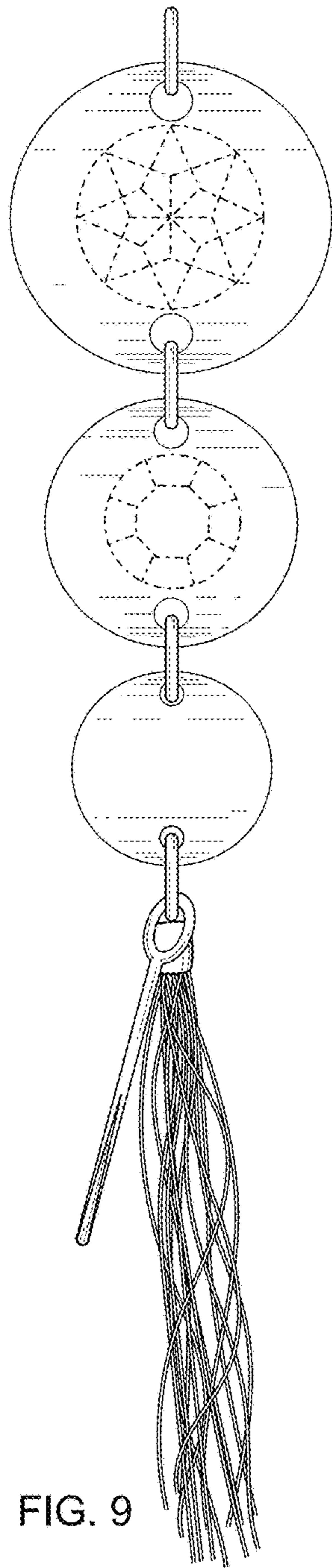


FIG. 14



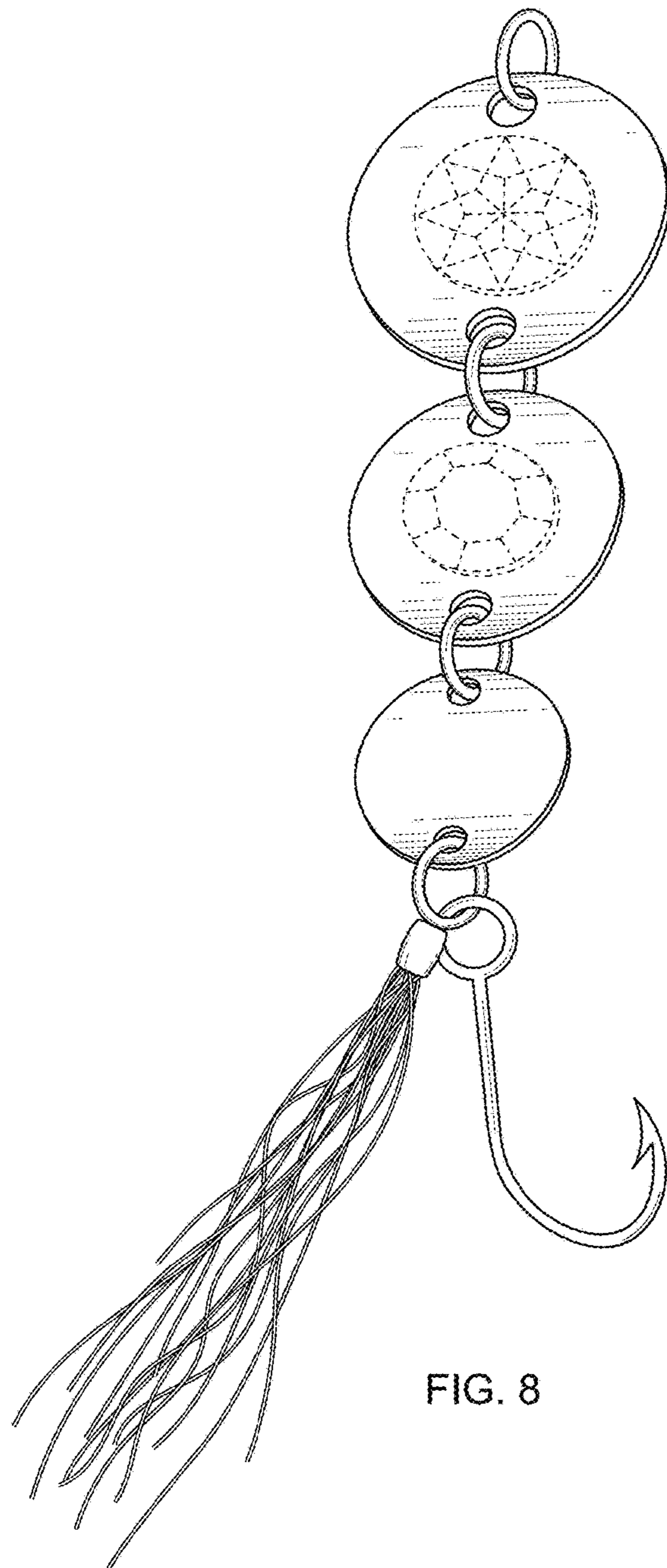


FIG. 8

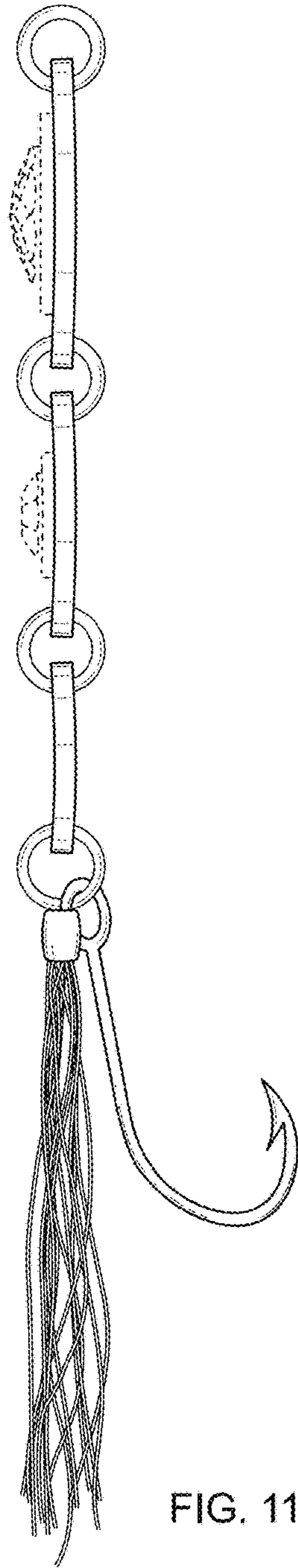


FIG. 11

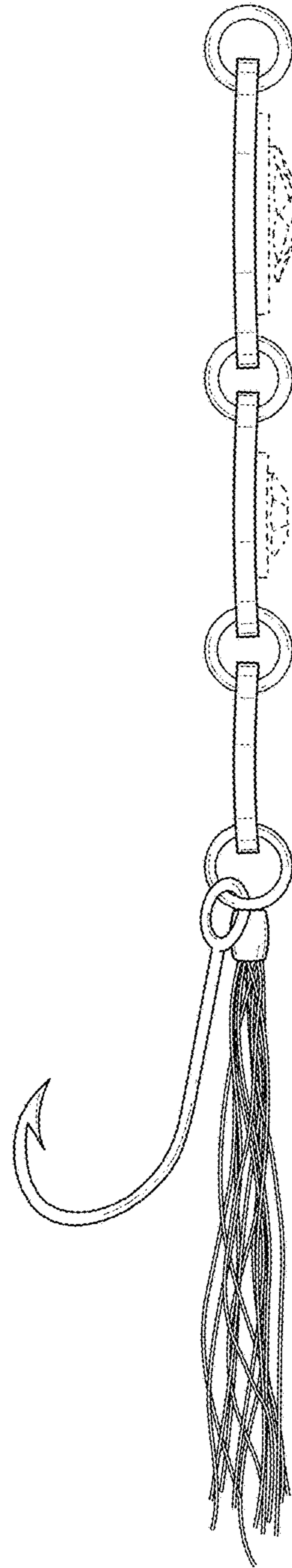


FIG. 12