



US00D852924S

(12) **United States Design Patent** (10) **Patent No.:** **US D852,924 S**  
**Want et al.** (45) **Date of Patent:** **\*\* Jul. 2, 2019**

(54) **FISH ATTRACTOR, TEASER, OR LURE**

3,382,600 A 5/1968 Walters  
D278,738 S 5/1985 Hargreaves  
D347,459 S 5/1994 Gowing et al.  
D740,912 S \* 10/2015 Dunbar ..... A01K 85/12  
D22/126

(71) Applicant: **Saucy Tackle Company, LLC**,  
Manchester, NH (US)

(72) Inventors: **Nicholas Want**, Manchester, NH (US);  
**Gerhardt P. Schroeder**, Concord, NH (US)

(73) Assignee: **SAUCY TACKLE COMPANY, LLC**,  
Manchester, NH (US)

(\*\*) Term: **15 Years**

(21) Appl. No.: **29/650,856**

(22) Filed: **Jun. 11, 2018**

**Related U.S. Application Data**

(62) Division of application No. 29/596,616, filed on Mar. 9, 2017, now Pat. No. Des. 822,786.

(51) **LOC (11) Cl.** ..... **22-05**

(52) **U.S. Cl.**  
USPC ..... **D22/126**

(58) **Field of Classification Search**  
USPC ..... D22/126-133; 43/42.21, 42.17, 42.15,  
43/42.44, 42.48, 42.31, 42.28  
CPC ..... A01K 85/00; A01K 85/10; A01K 85/18  
See application file for complete search history.

(56) **References Cited**

**U.S. PATENT DOCUMENTS**

2,578,041 A 12/1951 Candioto  
D174,367 S 4/1955 Autry  
3,203,132 A \* 8/1965 Kotis ..... A01K 85/16  
43/42.24  
3,226,875 A 1/1966 Woolums  
3,271,897 A \* 9/1966 Gelinas ..... A63H 23/10  
D22/133  
3,303,597 A \* 2/1967 Leach ..... A01K 85/16  
43/42.35

**OTHER PUBLICATIONS**

Entire patent prosecution history for U.S. Appl. No. 29/596,616, filed Mar. 9, 2017, entitled Fish Attractor, Teaser, or Lure Design, now U.S. Pat. No. D822,786, dated Jul. 10, 2018.

\* cited by examiner

*Primary Examiner* — Catherine R Oliver-Garcia

(74) *Attorney, Agent, or Firm* — RatnerPrestia

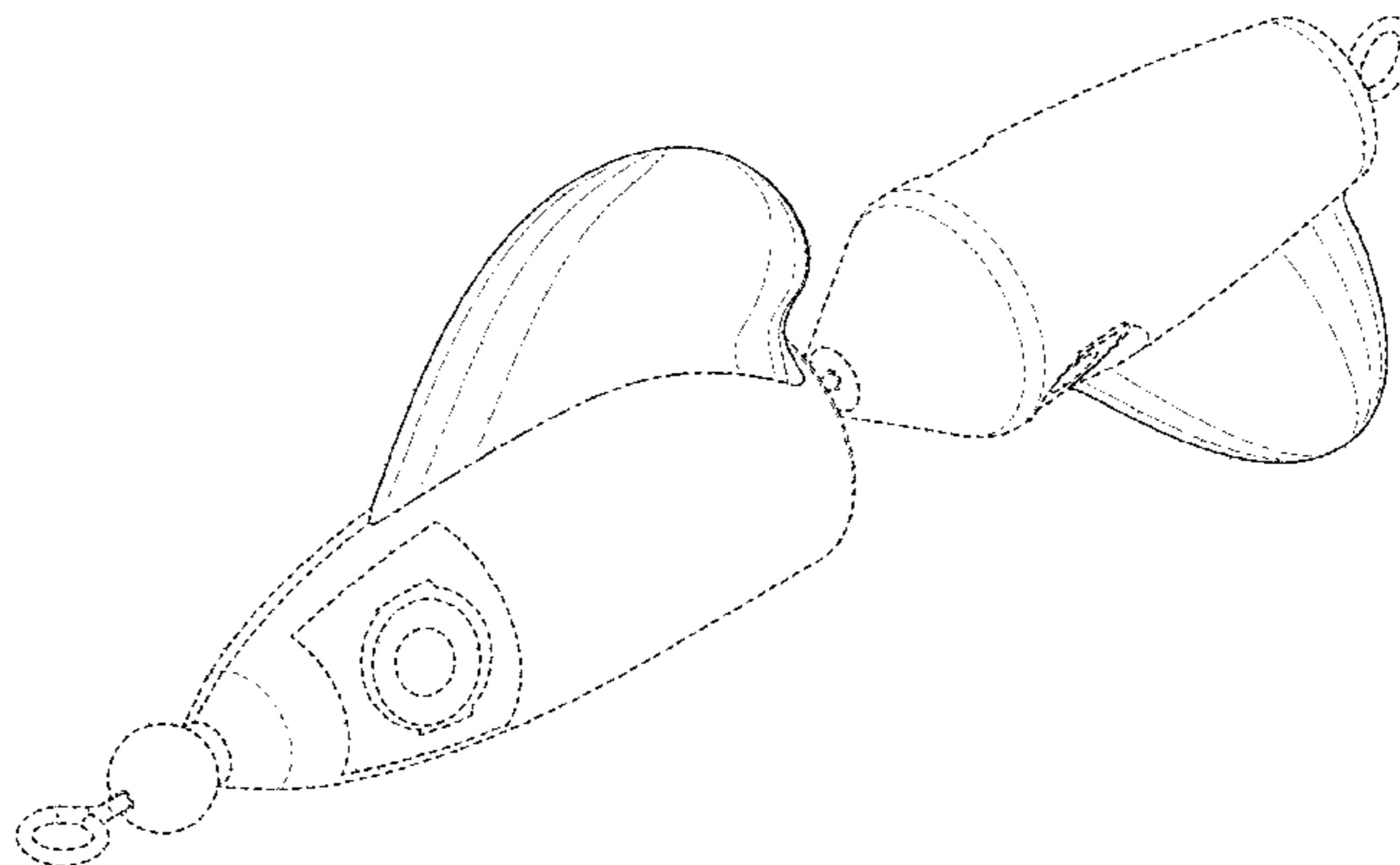
(57) **CLAIM**

The ornamental design for a fish attractor, teaser, or lure, as shown and described.

**DESCRIPTION**

FIG. 1 is an ISOMETRIC perspective view of the fish attractor, teaser or lure showing the claimed design.  
FIG. 2 is a FRONT elevation view thereof.  
FIG. 3 is a REAR elevation view thereof.  
FIG. 4 is a RIGHT elevation view thereof.  
FIG. 5 is a LEFT elevation view thereof.  
FIG. 6 is a TOP elevation view thereof.  
FIG. 7 is a BOTTOM elevation view thereof.  
FIG. 8 is a FRONT elevation view thereof, but with a portion of the design rotated 180° illustrating the relative rotation of portions of the design; and,  
FIG. 9 is a LEFT elevation view thereof, but with a portion of the design rotated 180° illustrating the relative rotation of portions of the design.  
The dashed lines are for illustration purposes only and form no part of the claimed design. The dash-dot lines separate claimed surfaces from surfaces that form no part of the claimed design.

**1 Claim, 6 Drawing Sheets**



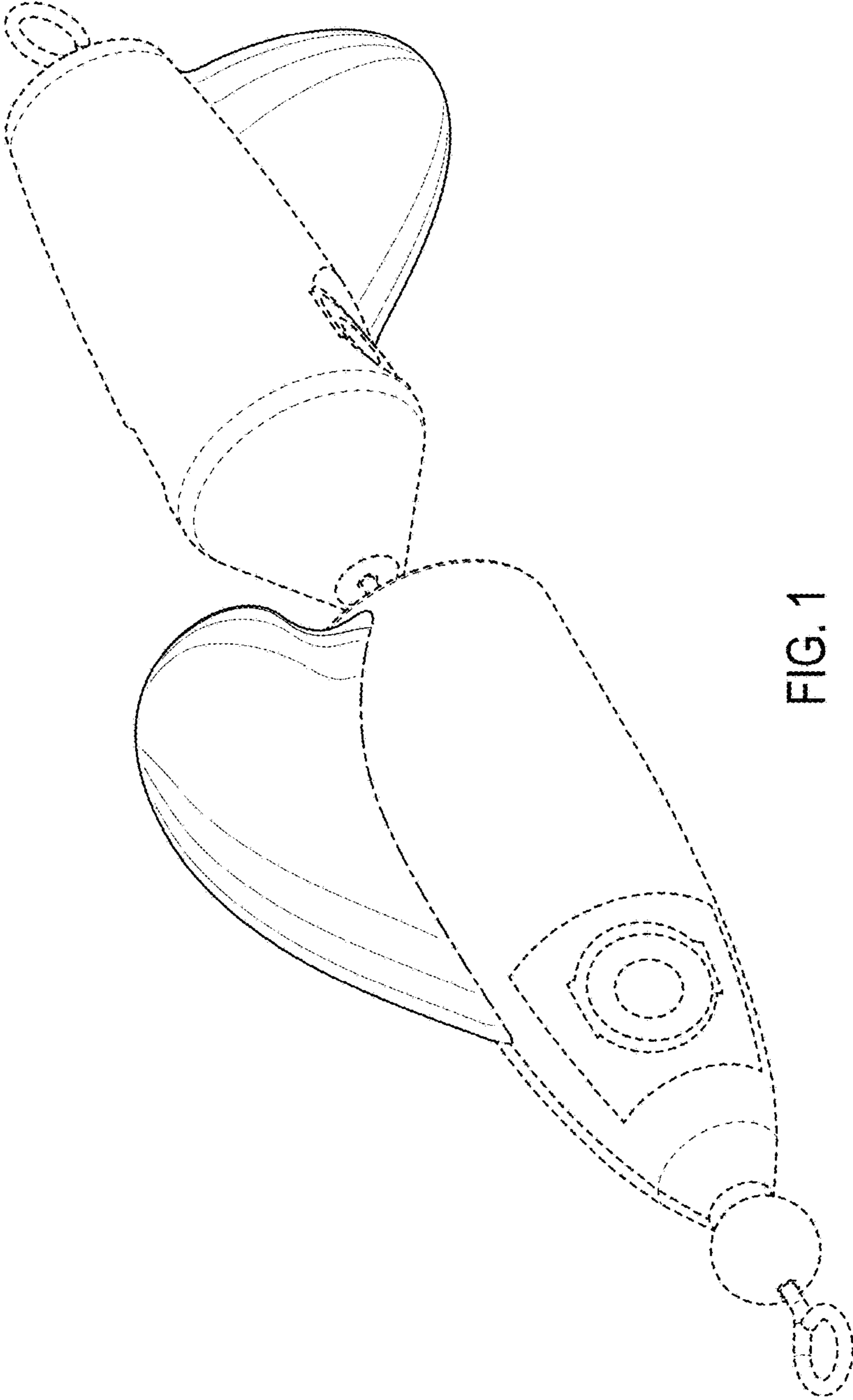


FIG. 1

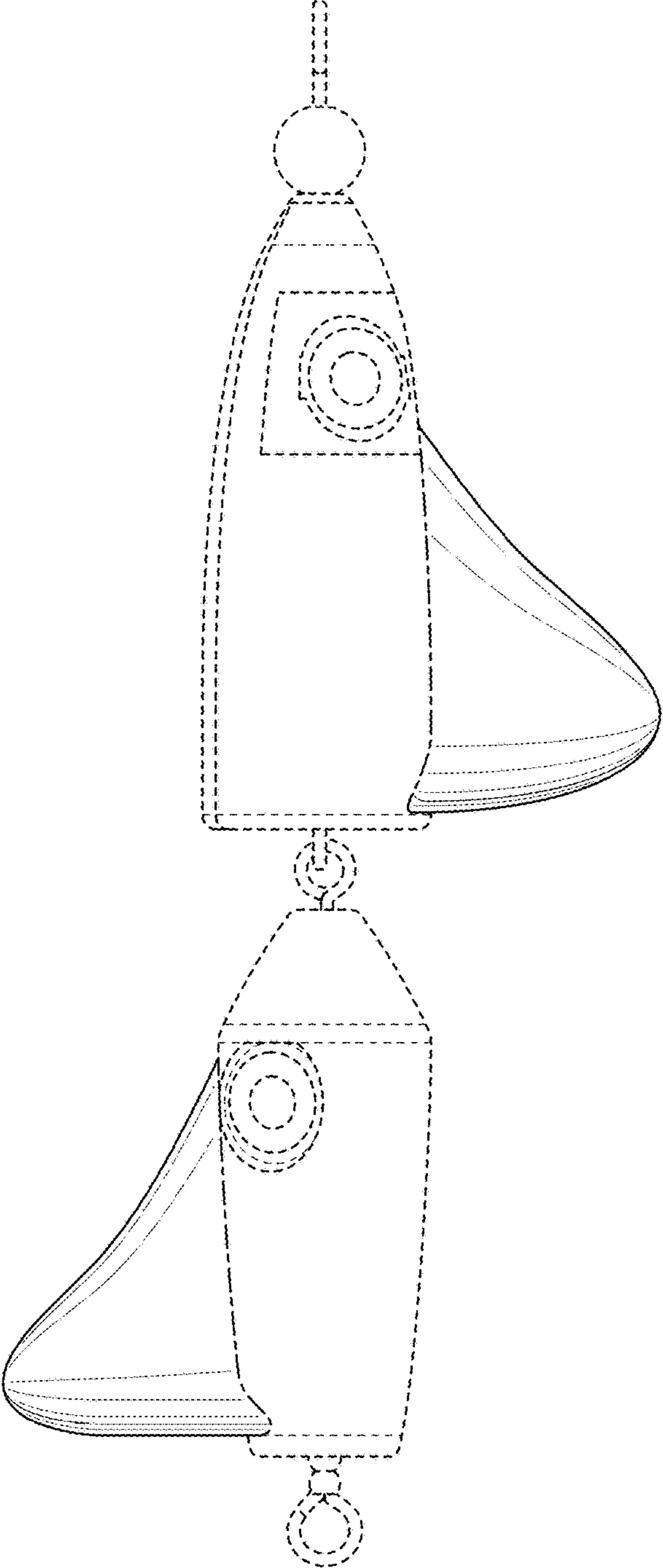


FIG. 2

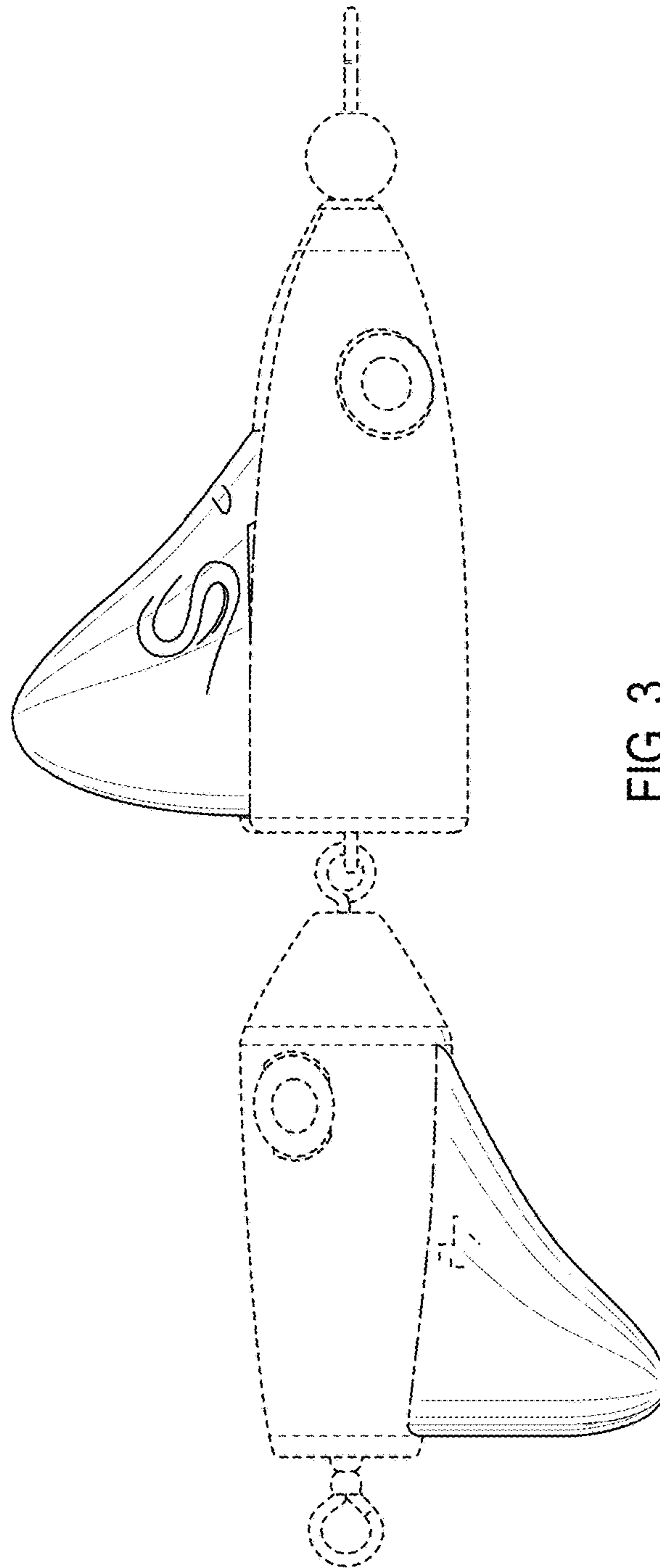


FIG. 3

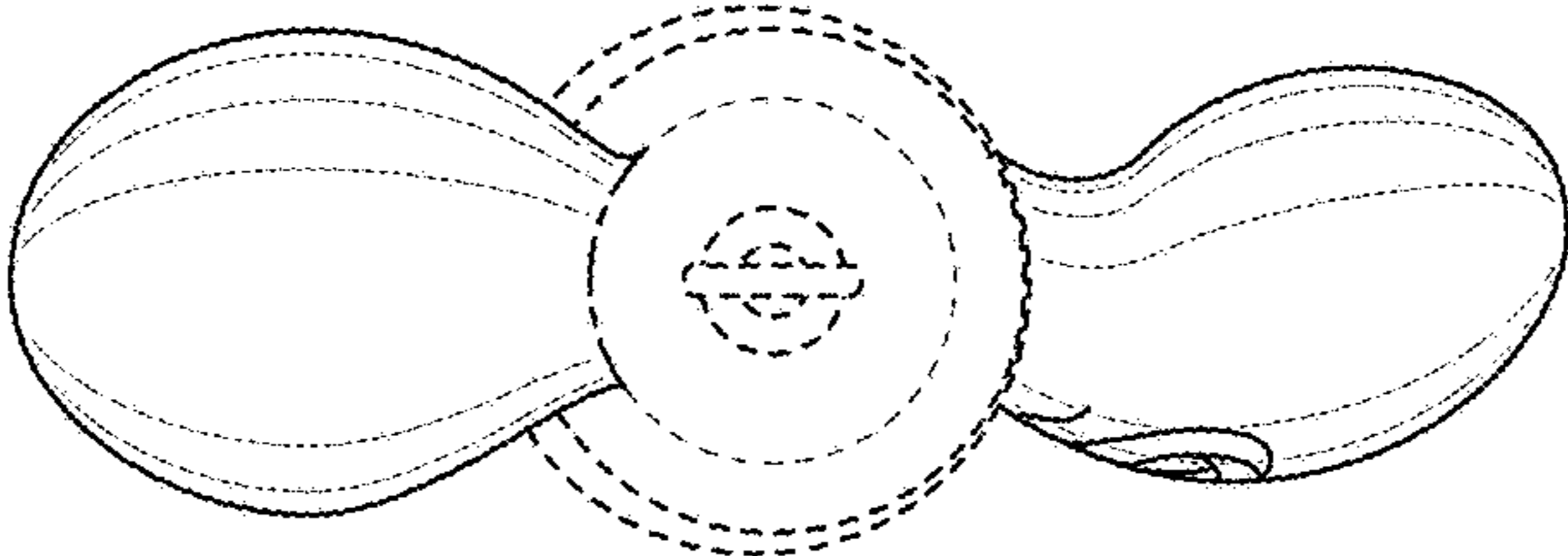


FIG. 5

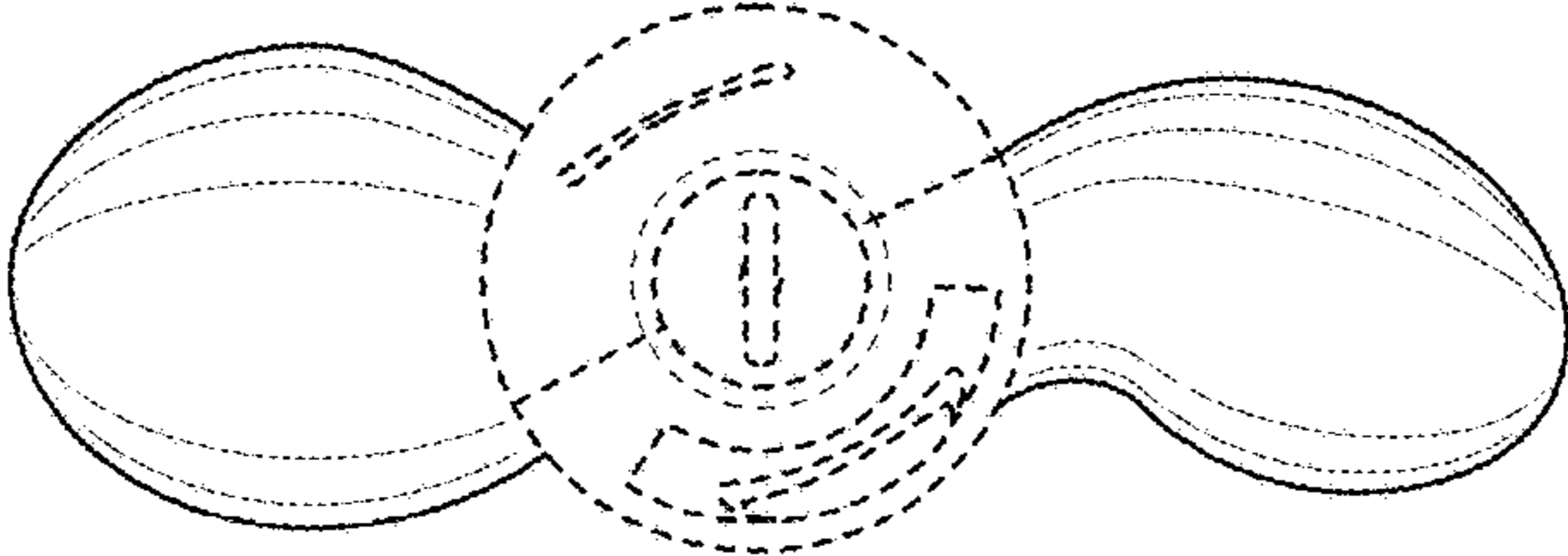


FIG. 4

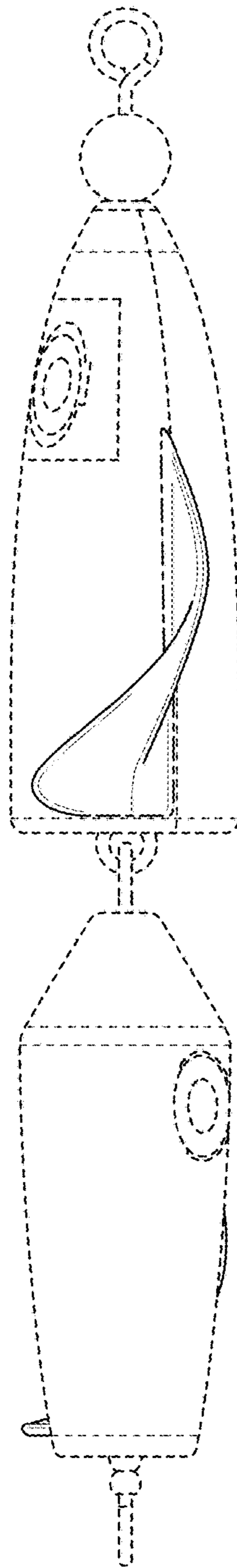


FIG. 6

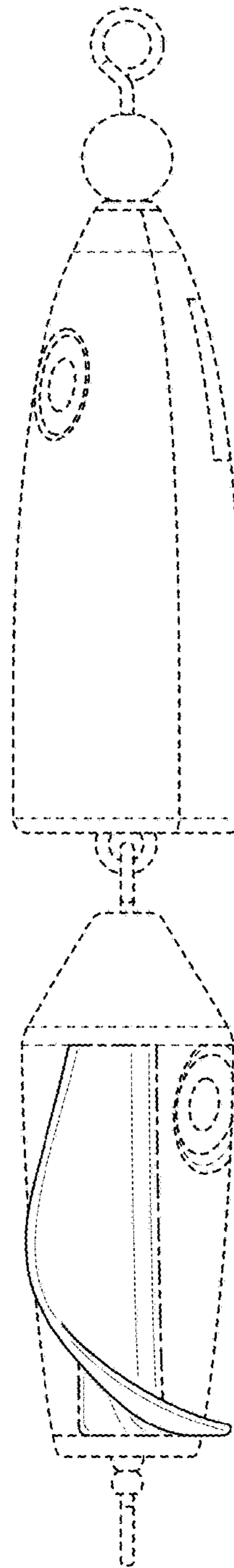


FIG. 7

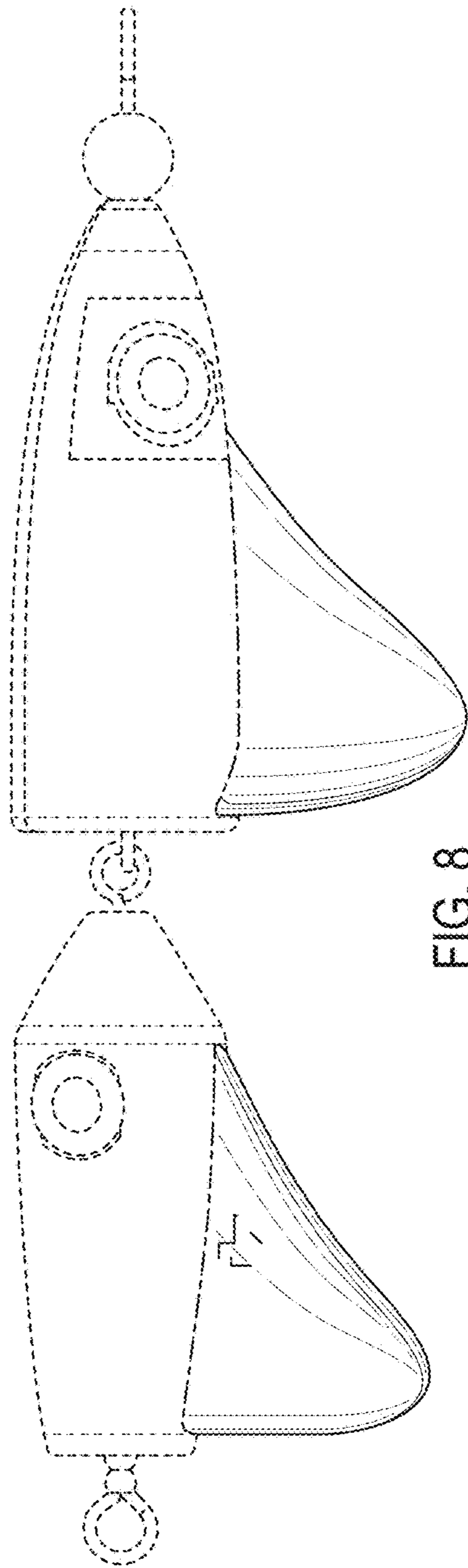


FIG. 8

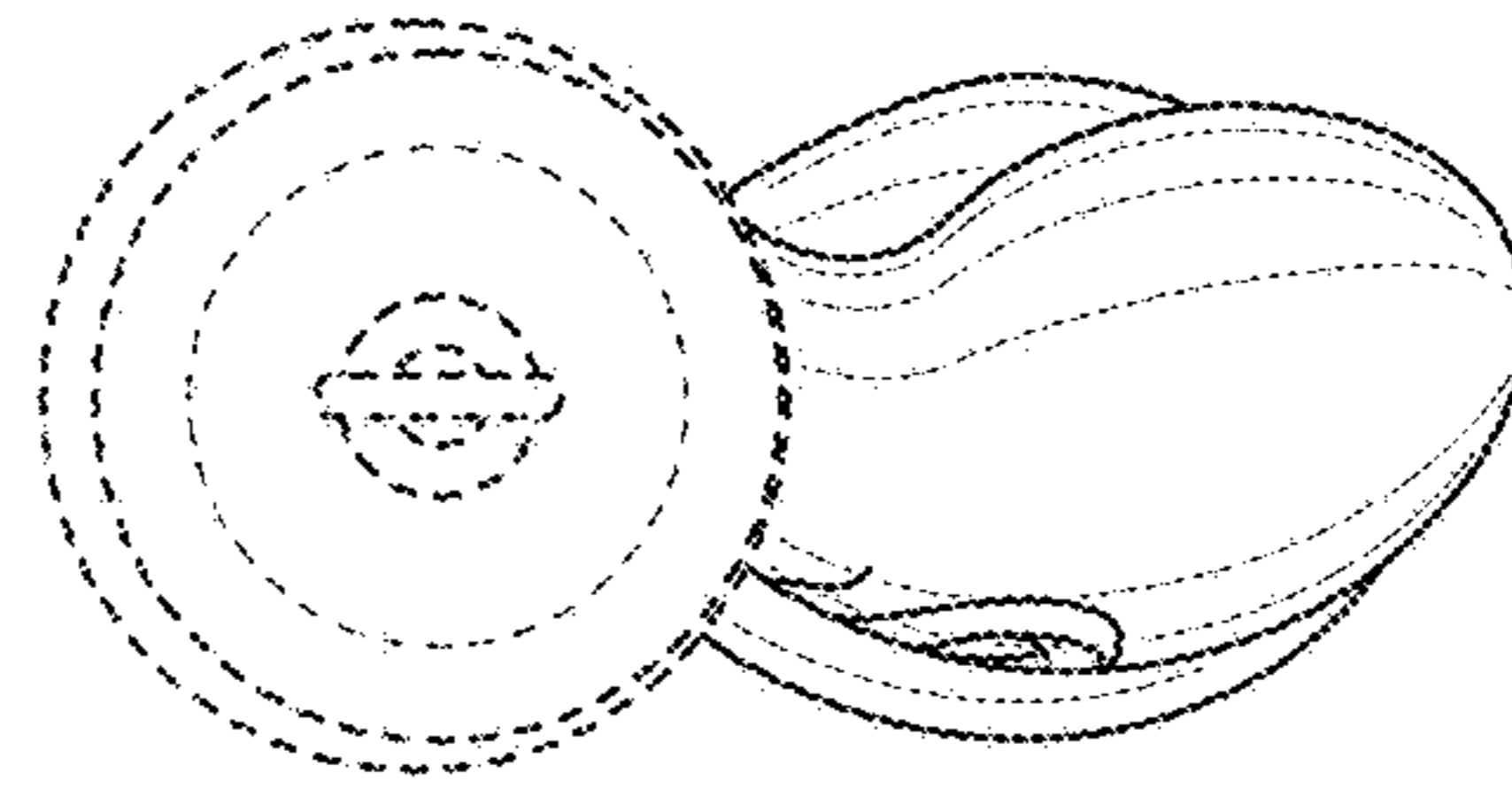


FIG. 9