



US00D852923S

(12) **United States Design Patent**
Ryan et al.

(10) **Patent No.:** **US D852,923 S**

(45) **Date of Patent:** **** Jul. 2, 2019**

(54) **ANIMAL TRAP**

D690,789 S * 10/2013 Wauson D22/119
8,683,737 B2 * 4/2014 Studer A01M 23/08

(71) Applicant: **WOODSTREAM CORPORATION**,
Lititz, PA (US)

43/58

D716,906 S * 11/2014 Hebert D22/119

D802,080 S * 11/2017 Lo D22/119

(72) Inventors: **Howard Scott Ryan**, Skaneateles, NY
(US); **Neil Rosenbaum**, Fayetteville,
NY (US); **Michael Konieczny**,
Skaneateles, NY (US); **Deborah Laun**,
Syracuse, NY (US)

* cited by examiner

Primary Examiner — Catherine R Oliver-Garcia

(74) *Attorney, Agent, or Firm* — Jacobson Holman,
PLLC.

(73) Assignee: **WOODSTREAM CORPORATION**,
Lititz, PA (US)

(**) Term: **15 Years**

(57) **CLAIM**

(21) Appl. No.: **29/639,375**

The ornamental design for an animal trap, as shown and
described.

(22) Filed: **Mar. 6, 2018**

(51) **LOC (11) Cl.** **22-06**

(52) **U.S. Cl.**
USPC **D22/119**

DESCRIPTION

(58) **Field of Classification Search**
USPC D22/119-124; 43/58, 60-61, 65-66,
43/69-70, 121, 124, 131, 132.1
CPC A01M 23/08; A01M 23/20
See application file for complete search history.

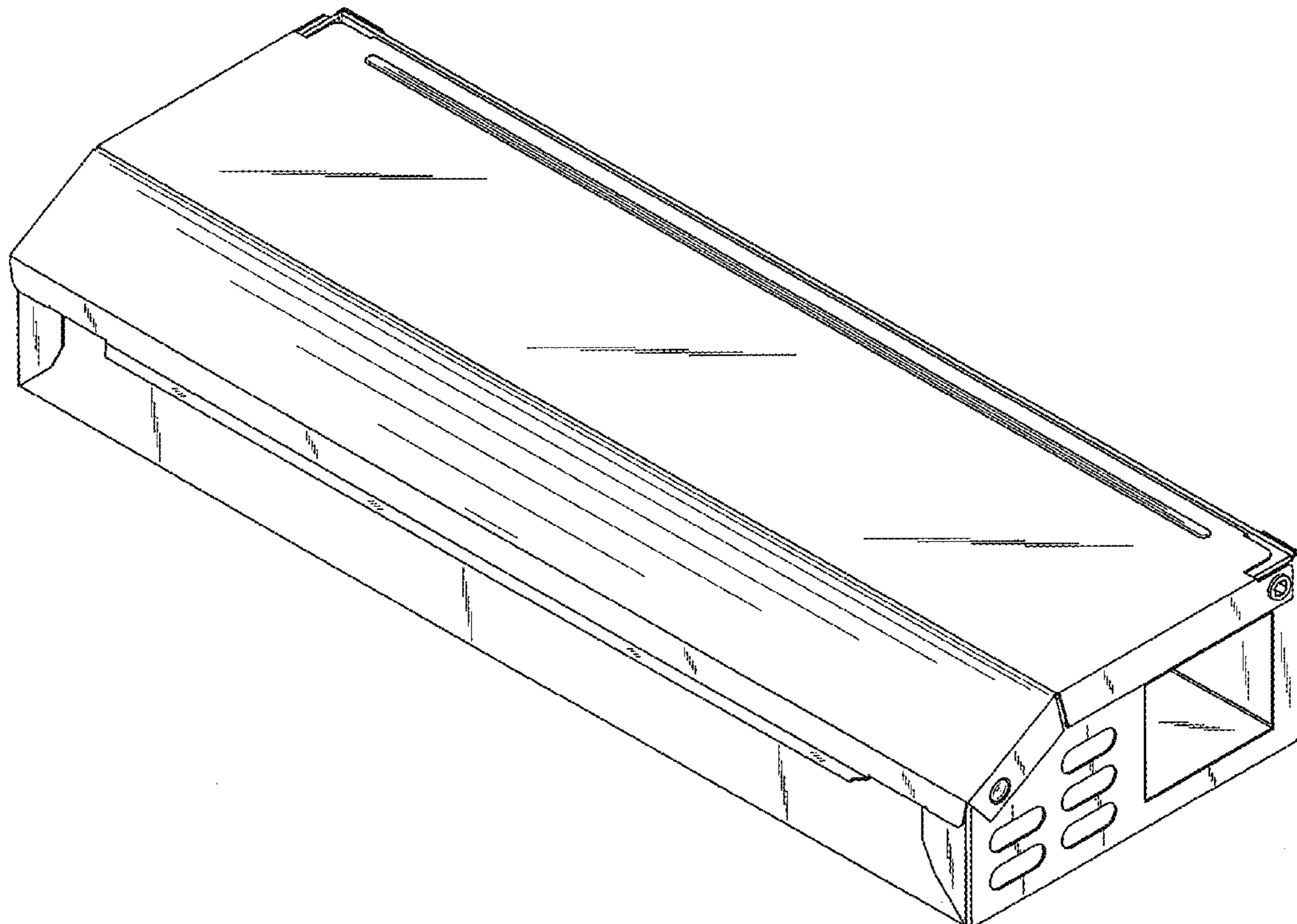
FIG. 1 is a front, top and right side perspective view of an
animal trap embodying our design;
FIG. 2 is a front elevational view of FIG. 1;
FIG. 3 is a rear elevational view of FIG. 1;
FIG. 4 is a top plan view of FIG. 1;
FIG. 5 is a bottom view of FIG. 1;
FIG. 6 is a left side view of FIG. 1; and,
FIG. 7 is a right side view of FIG. 1.

(56) **References Cited**

U.S. PATENT DOCUMENTS

D620,068 S * 7/2010 Cink D22/119
D660,394 S * 5/2012 Baker D22/119

1 Claim, 5 Drawing Sheets



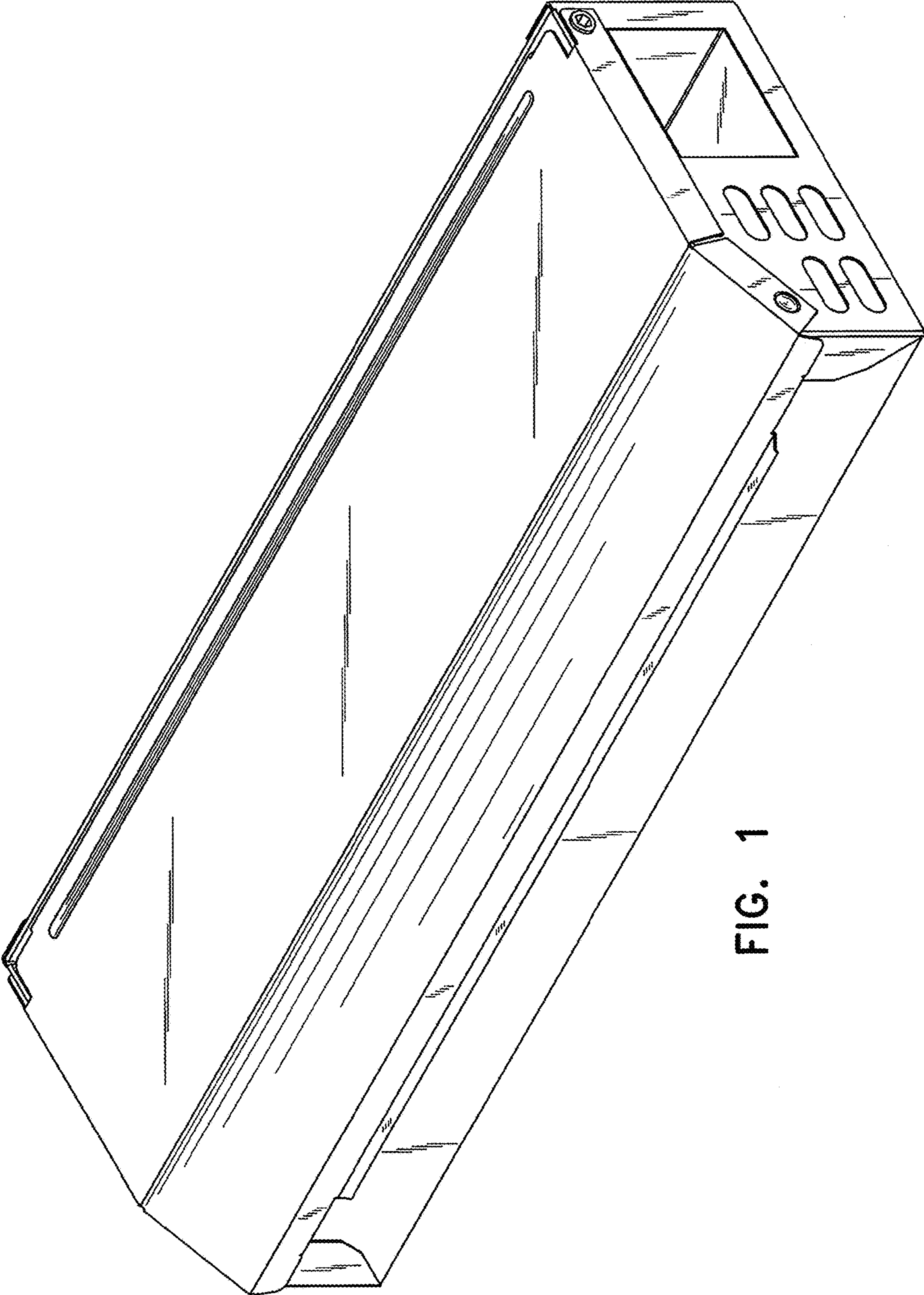


FIG. 1

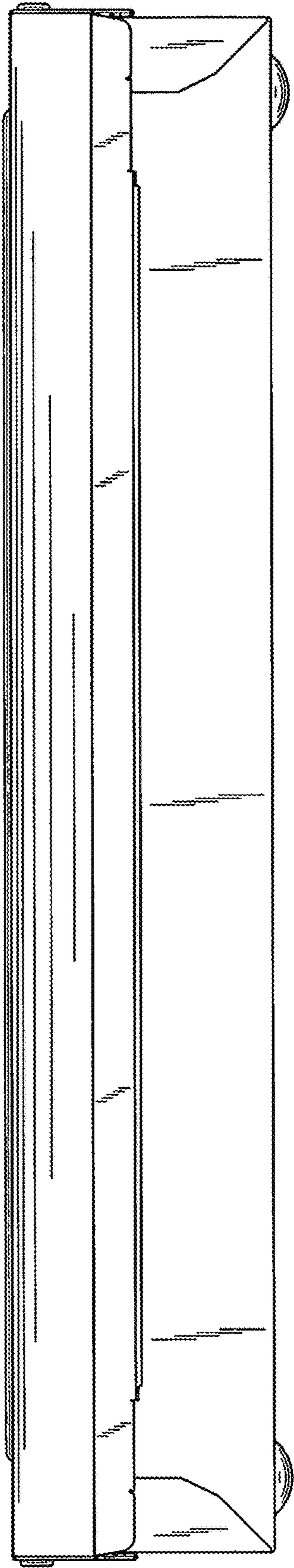


FIG. 2

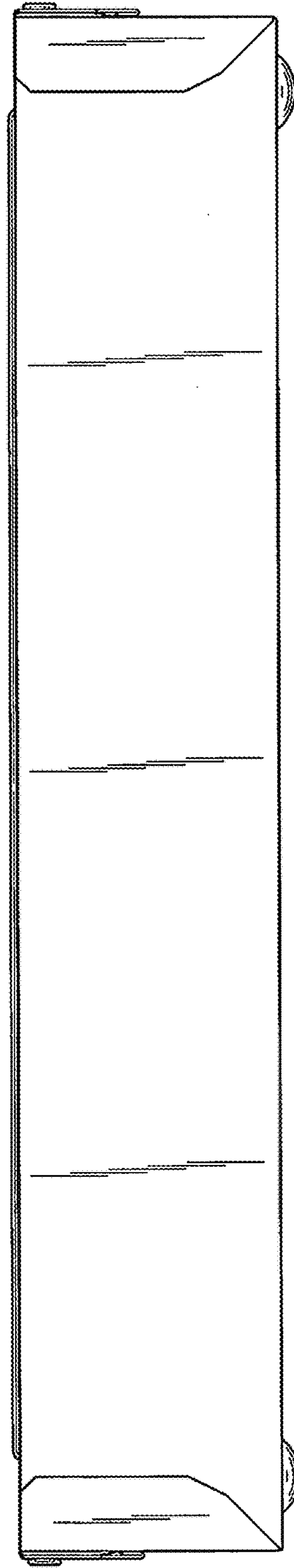


FIG. 3

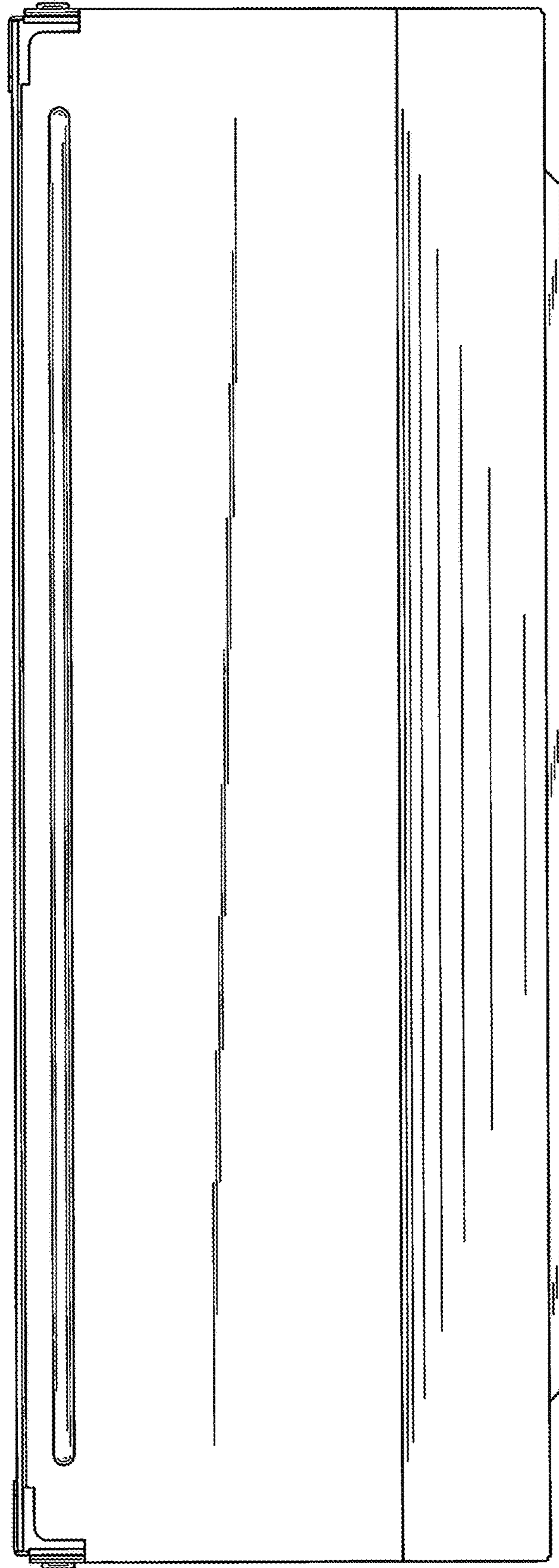


FIG. 4

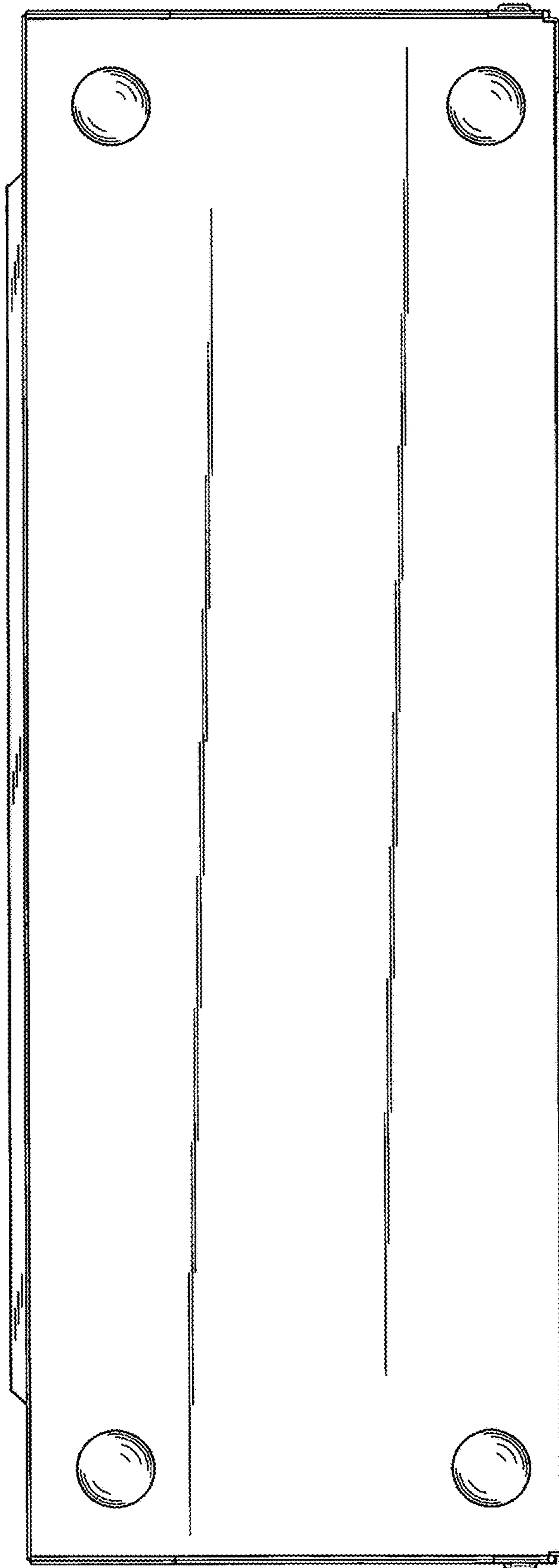


FIG. 5

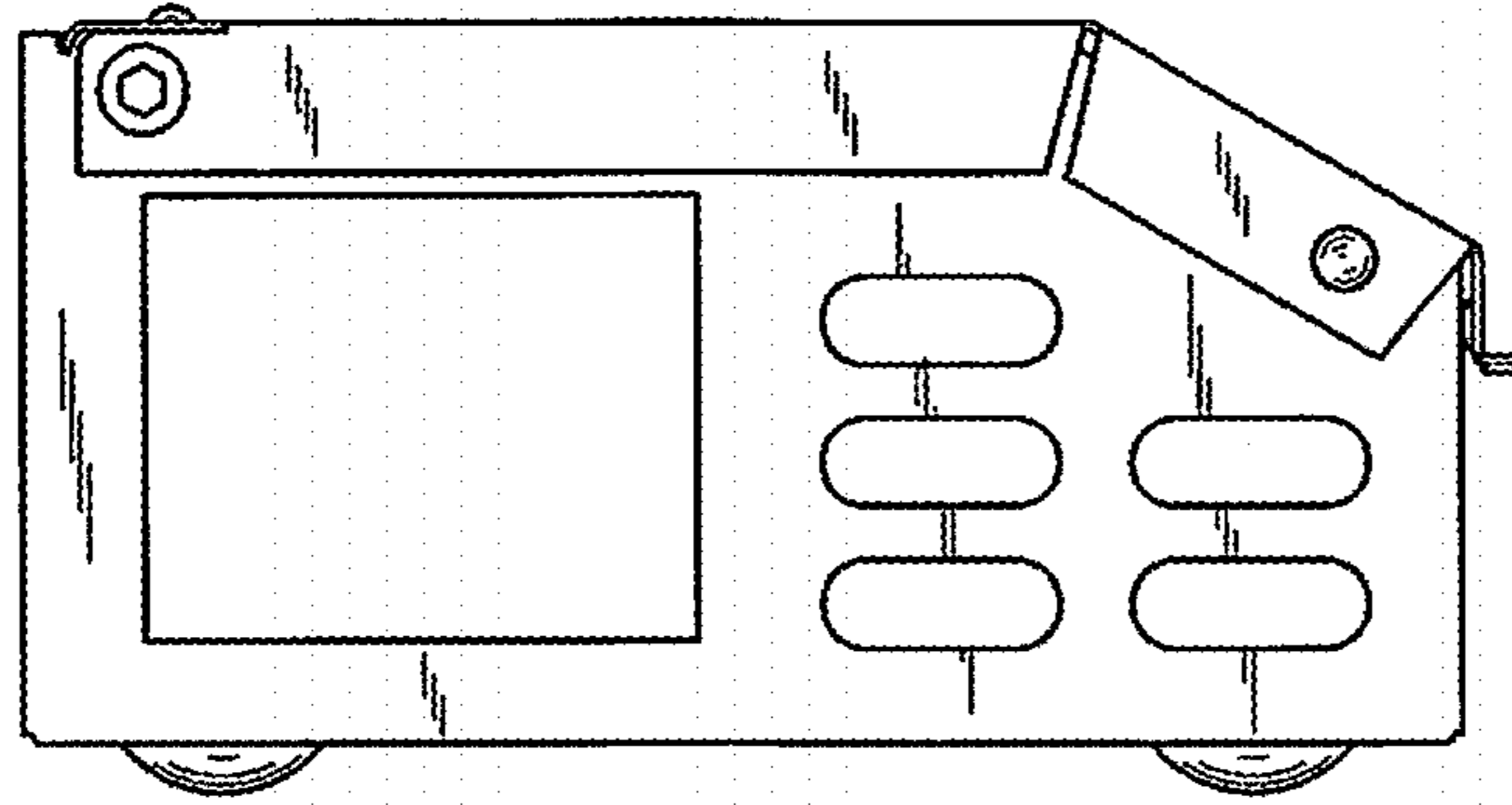


FIG. 6

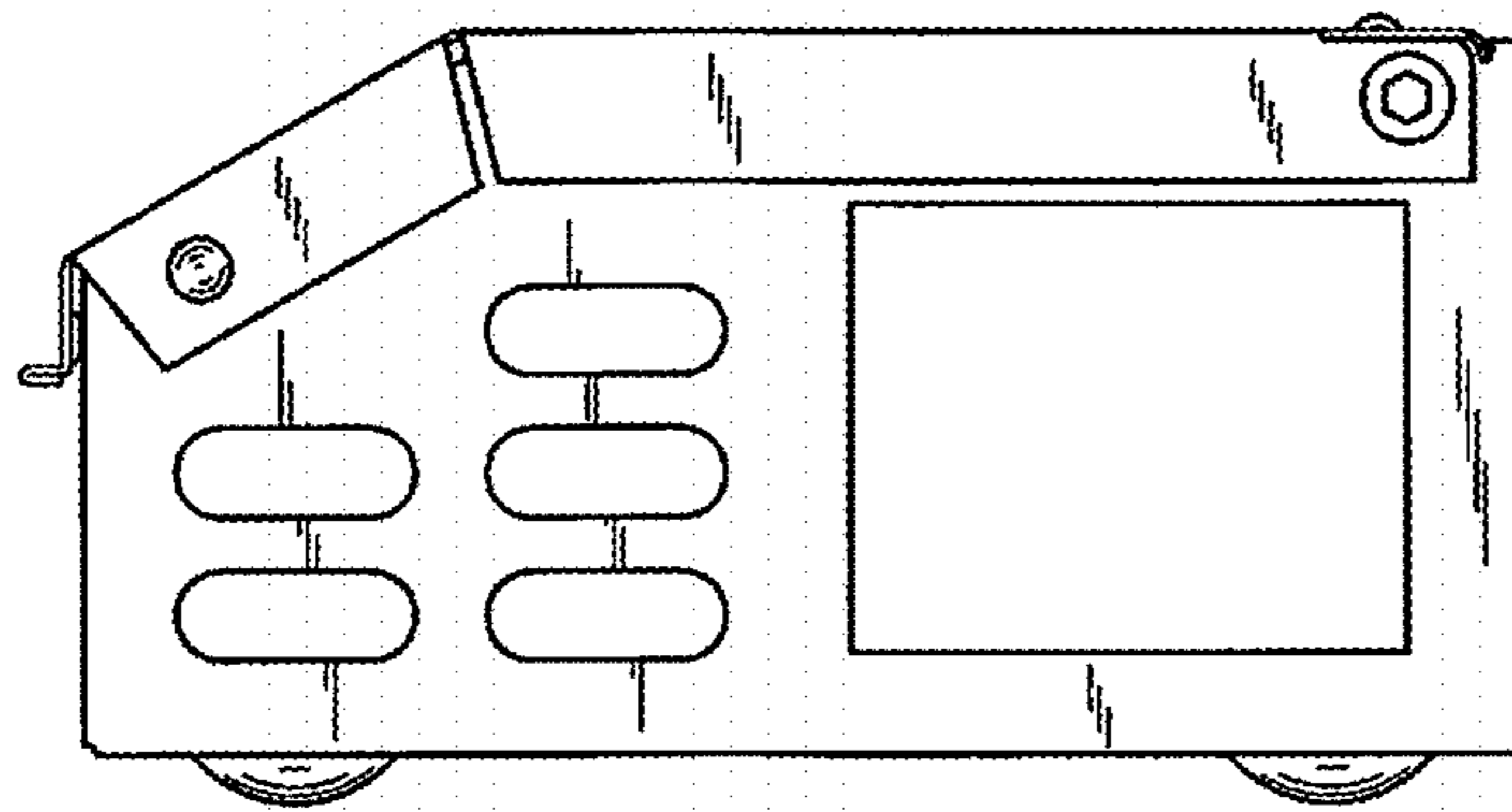


FIG. 7