



US00D852920S

(12) **United States Design Patent**
Ding et al.

(10) **Patent No.:** **US D852,920 S**
(45) **Date of Patent:** **** Jul. 2, 2019**

- (54) **FIREARM REAR SIGHT**
- (71) Applicant: **Leapers, Inc.**, Livonia, MI (US)
- (72) Inventors: **Tai-lai Ding**, Northville, MI (US); **Tat Shing Yu**, Plymouth, MI (US)
- (73) Assignee: **Leapers, Inc.**, Livonia, MI (US)
- (**) Term: **15 Years**
- (21) Appl. No.: **29/633,650**
- (22) Filed: **Jan. 15, 2018**
- (51) **LOC (11) Cl.** **22-01**
- (52) **U.S. Cl.**
USPC **D22/109**
- (58) **Field of Classification Search**
USPC D22/108, 109, 110; D21/573
CPC . F41G 11/003; F41G 1/00; F41G 1/16; F41G 1/345

See application file for complete search history.

D649,993 S 12/2011 Ding
D654,552 S 2/2012 Wu et al.
D659,221 S 5/2012 Wu et al.
(Continued)

FOREIGN PATENT DOCUMENTS

EP 2520894 A1 7/2012
WO 2013082274 A1 6/2013

OTHER PUBLICATIONS

Leapers, Inc. UTG 400 Luman Everyday Defense LED L-light downloaded from https://www.leapers.com/index.php?act=prod_detail&midx=988&allids=988&itemno=LT-EL223HL-A on Nov. 27, 2017.

(Continued)

Primary Examiner — Karen S Acker
Assistant Examiner — Steven B Reinholdt, Jr.
(74) *Attorney, Agent, or Firm* — Warner Norcross + Judd, LLP

(57) **CLAIM**

The ornamental design for a firearm rear sight, as shown and described.

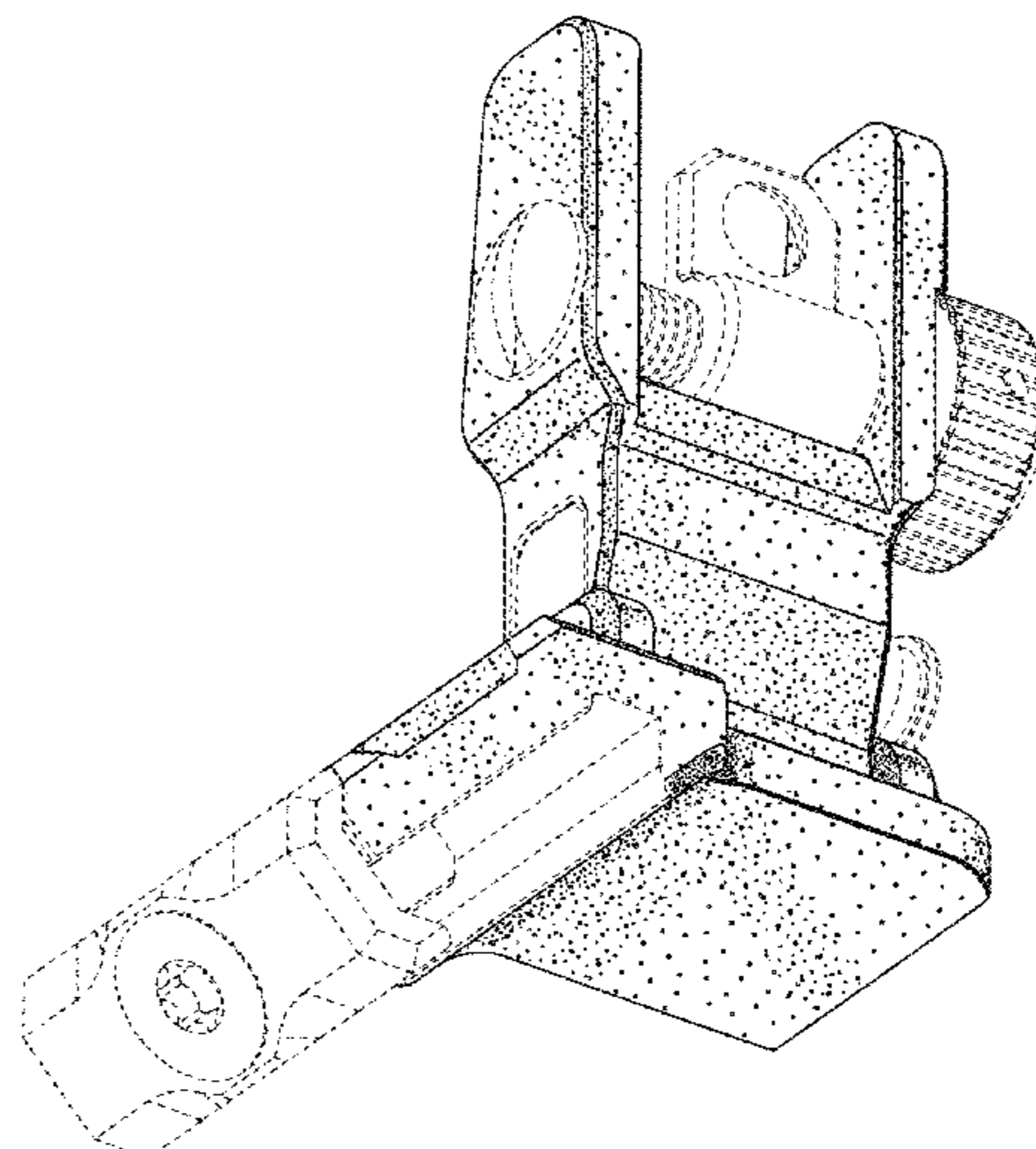
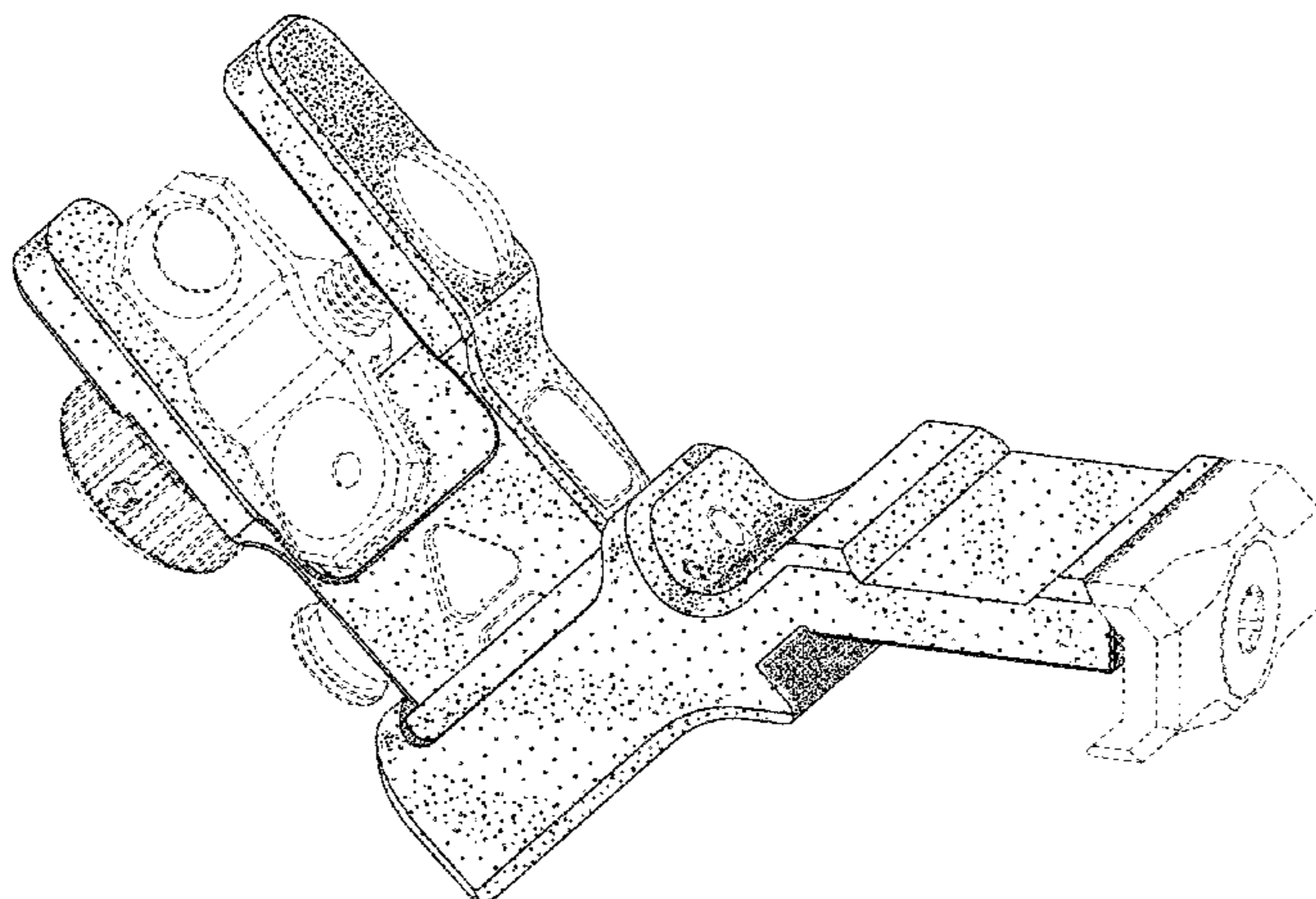
DESCRIPTION

FIG. 1 is a front perspective view of the firearm rear sight embodying the new design;
FIG. 2 is a top left side view thereof;
FIG. 3 is a top right side view thereof;
FIG. 4 is a rear view thereof;
FIG. 5 is a front view thereof;
FIG. 6 is a left side view thereof; and,
FIG. 7 is a rear perspective view thereof.
The broken lines depict portions of the firearm rear sight that form no part of the claimed design. The broken lines immediately adjacent to the shaded portions depict the boundaries of the claim and form no part thereof.

1 Claim, 6 Drawing Sheets

(56) **References Cited**
U.S. PATENT DOCUMENTS

D494,471 S	8/2004	Chou	
D505,328 S	5/2005	Chou	
D510,120 S	9/2005	Ding	
D511,365 S	11/2005	Ding	
D513,056 S	12/2005	Ding	
D513,298 S	12/2005	Ding	
D513,299 S	12/2005	Ding	
D513,633 S	1/2006	Ding	
D516,157 S	2/2006	Ding	
D526,380 S *	8/2006	Swan	D22/109
D594,084 S	6/2009	Mayberry et al.	
D631,934 S *	2/2011	Daniel	D22/109
D635,634 S *	4/2011	Swan	D22/109
D637,259 S *	5/2011	Swan	D22/109
D638,089 S	5/2011	Ding	
D639,376 S	6/2011	Ding	
D641,450 S	7/2011	Ding	
D648,413 S	11/2011	Mayberry et al.	



(56)

References Cited

U.S. PATENT DOCUMENTS

D672,839	S	12/2012	Ding	
8,397,421	B2	3/2013	Ding et al.	
8,429,843	B2	4/2013	Yan	
8,437,079	B2	5/2013	Wu	
D687,915	S *	8/2013	Adcock, Jr.	D22/109
D692,516	S	10/2013	Yan et al.	
D700,674	S *	3/2014	Prieto	D22/109
D704,792	S *	5/2014	Fitzpatrick	D22/108
D705,890	S	5/2014	Fitzpatrick et al.	
8,752,325	B2	6/2014	Ding et al.	
D711,492	S	8/2014	Yan et al.	
8,806,792	B2	8/2014	Yan et al.	
D720,828	S *	1/2015	Faifer	D22/108
D721,156	S *	1/2015	Faifer	D22/108
D726,278	S	4/2015	Ding et al.	
D727,455	S	4/2015	Ding et al.	
D728,728	S	5/2015	Barfoot et al.	
D730,474	S	5/2015	Ding et al.	
D733,250	S *	6/2015	Hu	D22/109
D733,251	S *	6/2015	Hu	D22/109
D736,338	S *	8/2015	Fitzpatrick	D22/109
D736,339	S *	8/2015	Fitzpatrick	D22/109
D737,399	S *	8/2015	Cheng	D22/109
9,169,958	B2	10/2015	Yan	
D751,663	S	3/2016	Ding et al.	
D755,342	S	5/2016	Ding et al.	
D758,521	S	6/2016	Ding et al.	
D758,522	S	6/2016	Ding et al.	
D771,218	S	11/2016	Ding et al.	
D773,005	S	11/2016	Ding et al.	
D785,745	S *	5/2017	McKillips	D22/109
9,683,811	B1 *	6/2017	Warensford	F41G 1/16
D801,468	S *	10/2017	Kedairy	D22/109
D807,463	S *	1/2018	Warensford	D22/109
D807,464	S *	1/2018	Warensford	D22/109
D820,921	S *	6/2018	Chu	D21/573
D820,938	S *	6/2018	Pittman	D22/109
2006/0075674	A1	4/2006	Ding	
2007/0277422	A1	12/2007	Ding	
2011/0296734	A1 *	12/2011	Troy	F41G 1/17 42/135
2012/0281278	A1	11/2012	Wu	
2016/0341502	A1	11/2016	Langevin et al.	

OTHER PUBLICATIONS

Leapers, Inc. UTG New Gen 400 Lumen Compact Grip Light with QD Mount downloaded from https://www.leapers.com/index.php?act=prod_detail&midx=988&allids=988&itemno=MNT-EL223GPQ-A on Nov. 27, 2017.

Leapers, Inc. UTG New Gen 400 Lumen Grip Light with QD Mounting Base downloaded from https://www.leapers.com/index.php?act=prod_detail&midx=988&allids=988&itemno=MNT-EL228GPQ-A on Nov. 27, 2017.

Leapers, Inc. UTG Flashlights and Lasers downloaded from <https://www.leapers.com/index.php?act=listproduct&midx=988&allids=988&svroot=MOUNTING%20SYSTEMS> on Nov. 27, 2017.

Leapers, Inc. UTG Mounting Systems downloaded from https://www.leapers.com/index.php?act=listproduct&midx=923&allids=918_919_923&svroot=MOUNTING%20SYSTEMS on Nov. 27, 2017.

Leapers, Inc. UTG 4.1" Lowpro Combat Quality QD Lever Mount Metal Foregrip downloaded from https://www.leapers.com/index.php?act=prod_detail&itemno=MNT-GRP001SQ&midx=1002&allids=1001_1002 on Nov. 27, 2017.

Leapers, Inc. UTG Model 4 Low Profile Flip-up Front Sight MNT-755 downloaded from https://www.tacticalwholesalers.com/Leapers-Inc-Model-4-Low-Profile-Flip-up-Front-Sight-MNT-755_p_143421.html?gclid=EA1a1QobChMIYywtYT21wIVB57ACh1IDwmuEAYYAyABEgKbX_D_BwE on Dec. 6, 2017.

Magpul, MBUS Front & Rear Sight Set downloaded from http://www.tomstactical.com/Magpul-MBUS-Gen-II-Front-Rear-Sight-Set-Black_p_74.html on Jan. 5, 2018.

LWRC International, LWRCI Skirmish Sight Set downloaded from <https://www.lwrci.com/p-451-day-9-lwrci-skirmish-sight-set.aspx> on Jan. 5, 2018.

Diamondhead, Polymer Diamond Integrated Sighting System (with NiteBrite) downloaded from <https://www.diamondhead-usa.com/products/polymer-diamond-integrated-sighting-system-with-nitebrite> on Jan. 5, 2018.

Precision Reflex Inc., Flip up Front and Rear Sight Package downloaded from <https://www.lapolicgear.com/preflex-lip-up-sight-combo.html> on Jan. 5, 2018.

Magpul, MBUS Pro Offset Sight—Front downloaded from <https://www.magpul.com/products/mbus-pro-offset-sight-front> on Jan. 5, 2018.

Troy Industries, Offset Sight Set, M4 Front and Dioptic Rear—FDE downloaded from <https://troyind.com/products/offset-sight-set-m4-front-and-dioptic-rear-fde> on Jan. 5, 2018.

HQ Issue, HQ Issue 45° Offset Sight Set downloaded from <https://www.sportsmansguide.com/product/index/hq-issue-45deg-offset-sight-set?a=1781389> on Jan. 5, 2018.

Dagger Defense, Dagger Defense flip up BUIS 45 degree picatinny rail mounted backup iron sights downloaded from <https://daggerdefense.com/?product=dagger-defense-flip-buis-45-degree-picatinny-rail-mounted-backup-iron-sights> on Jan. 5, 2018.

* cited by examiner

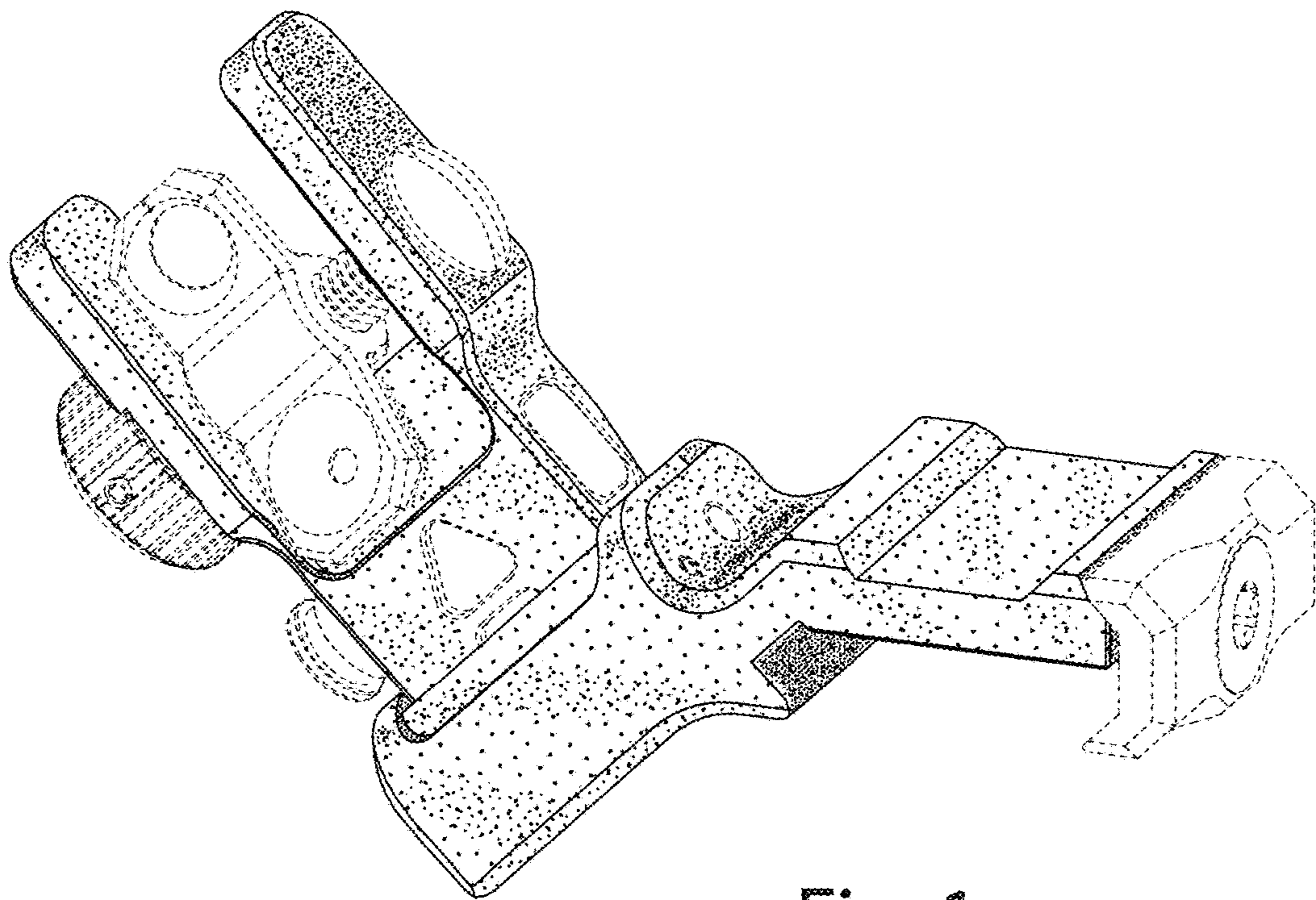


Fig. 1

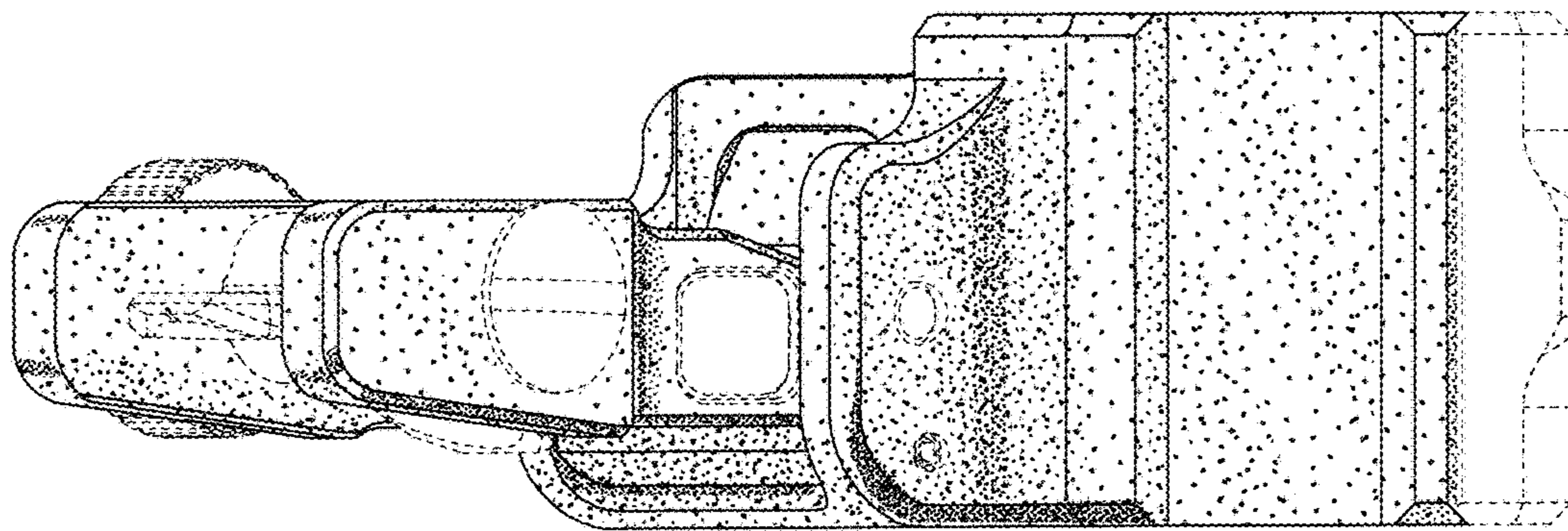


Fig. 2

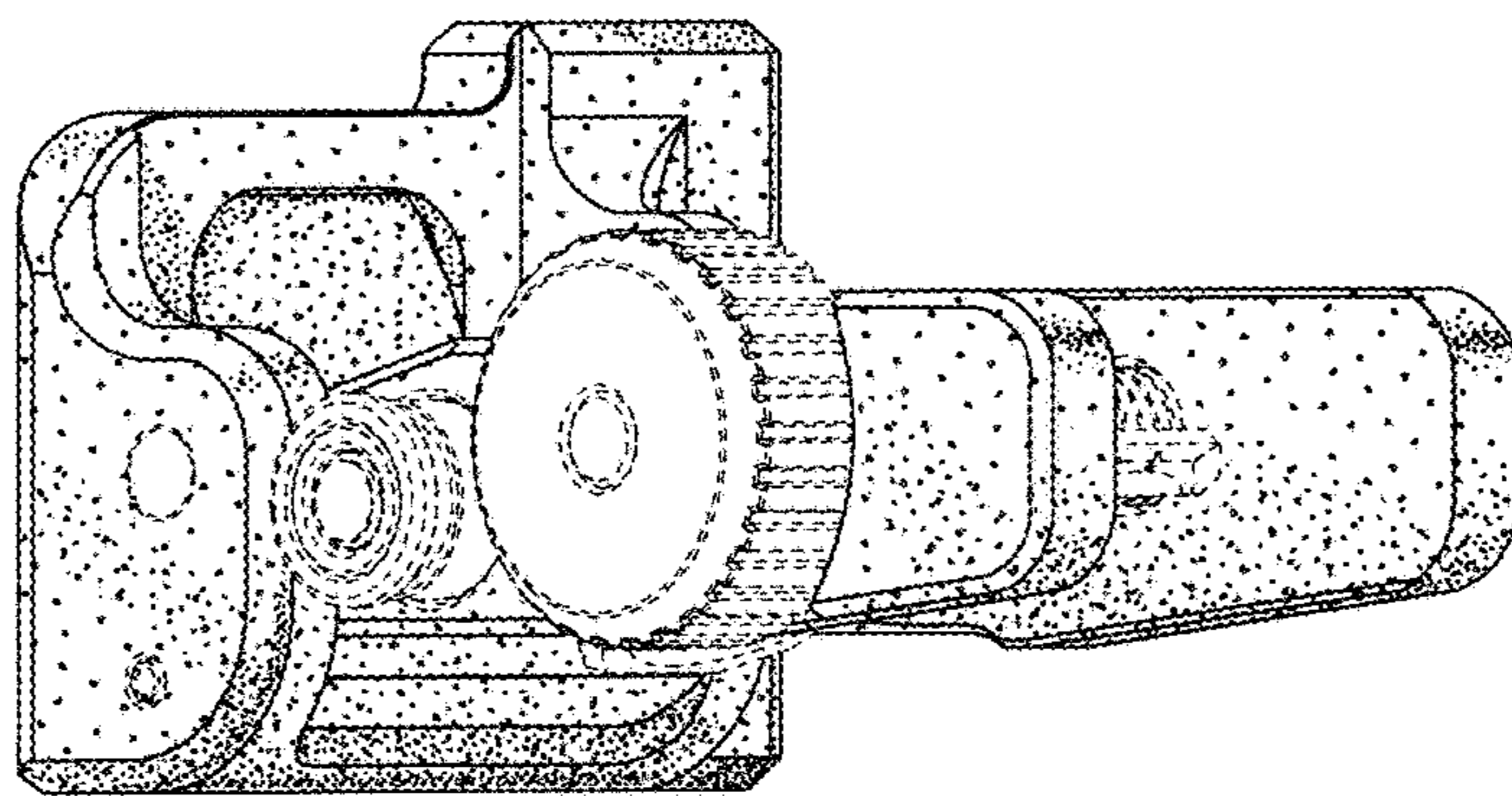


Fig. 3

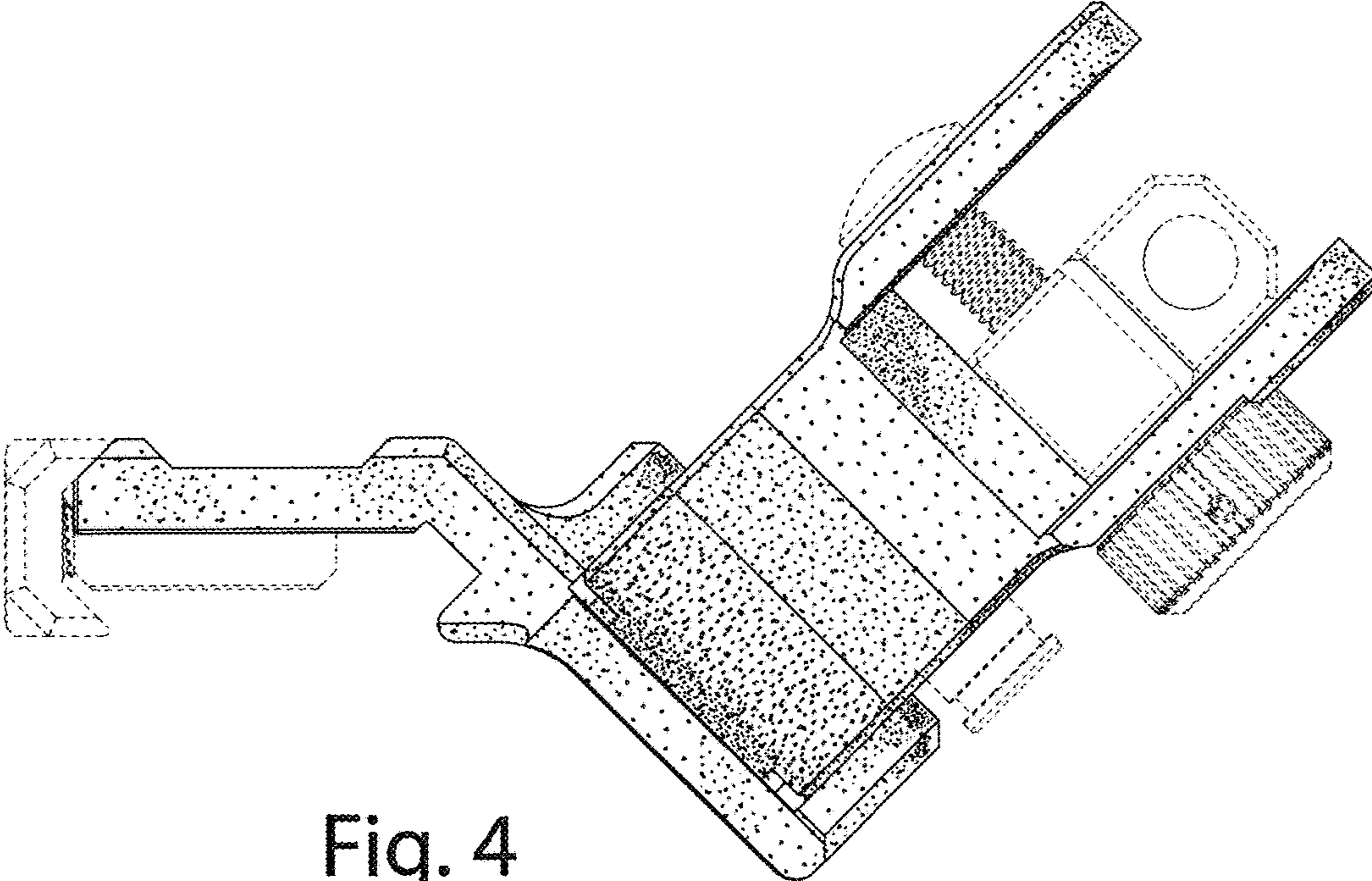


Fig. 4

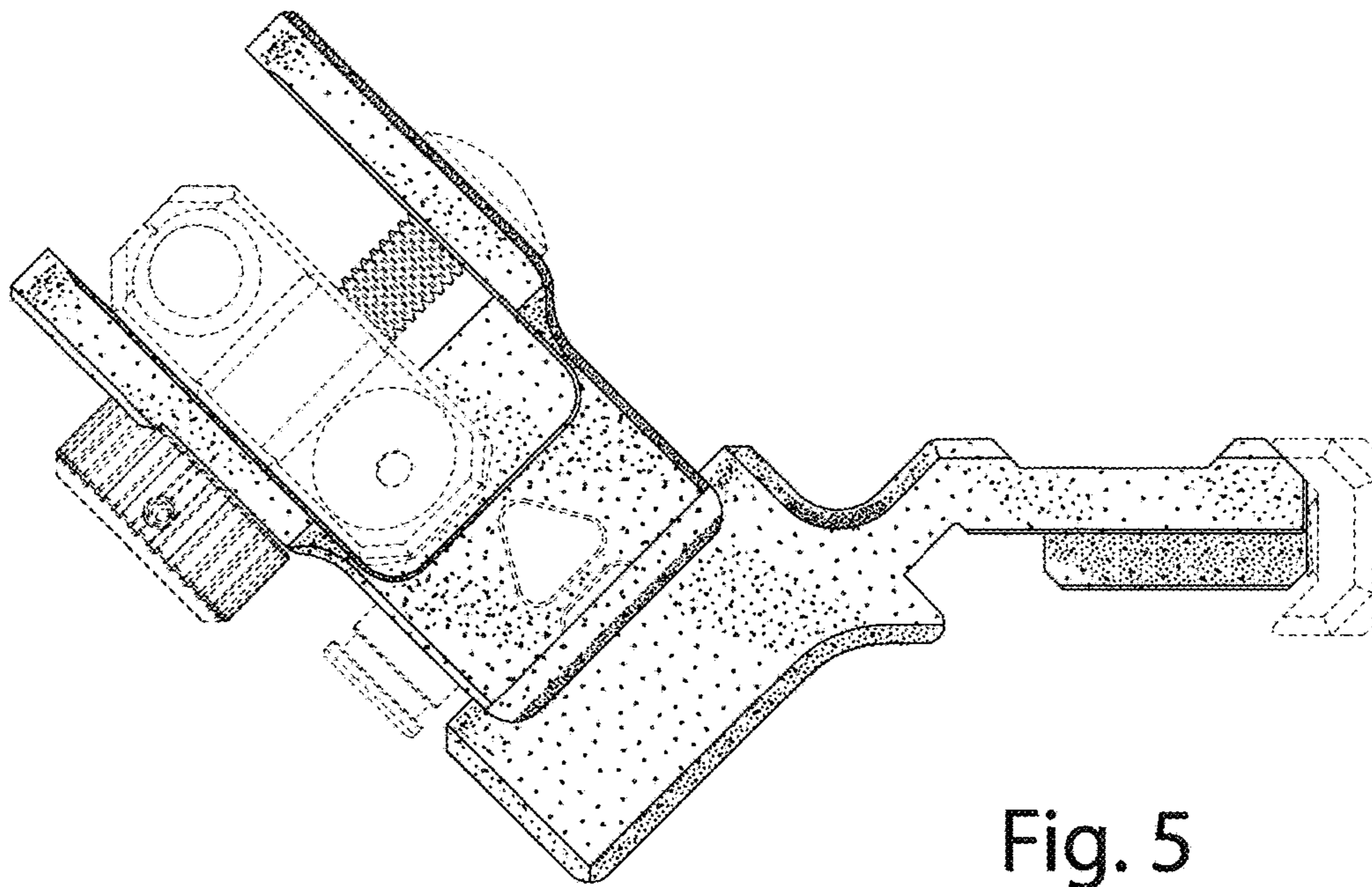


Fig. 5

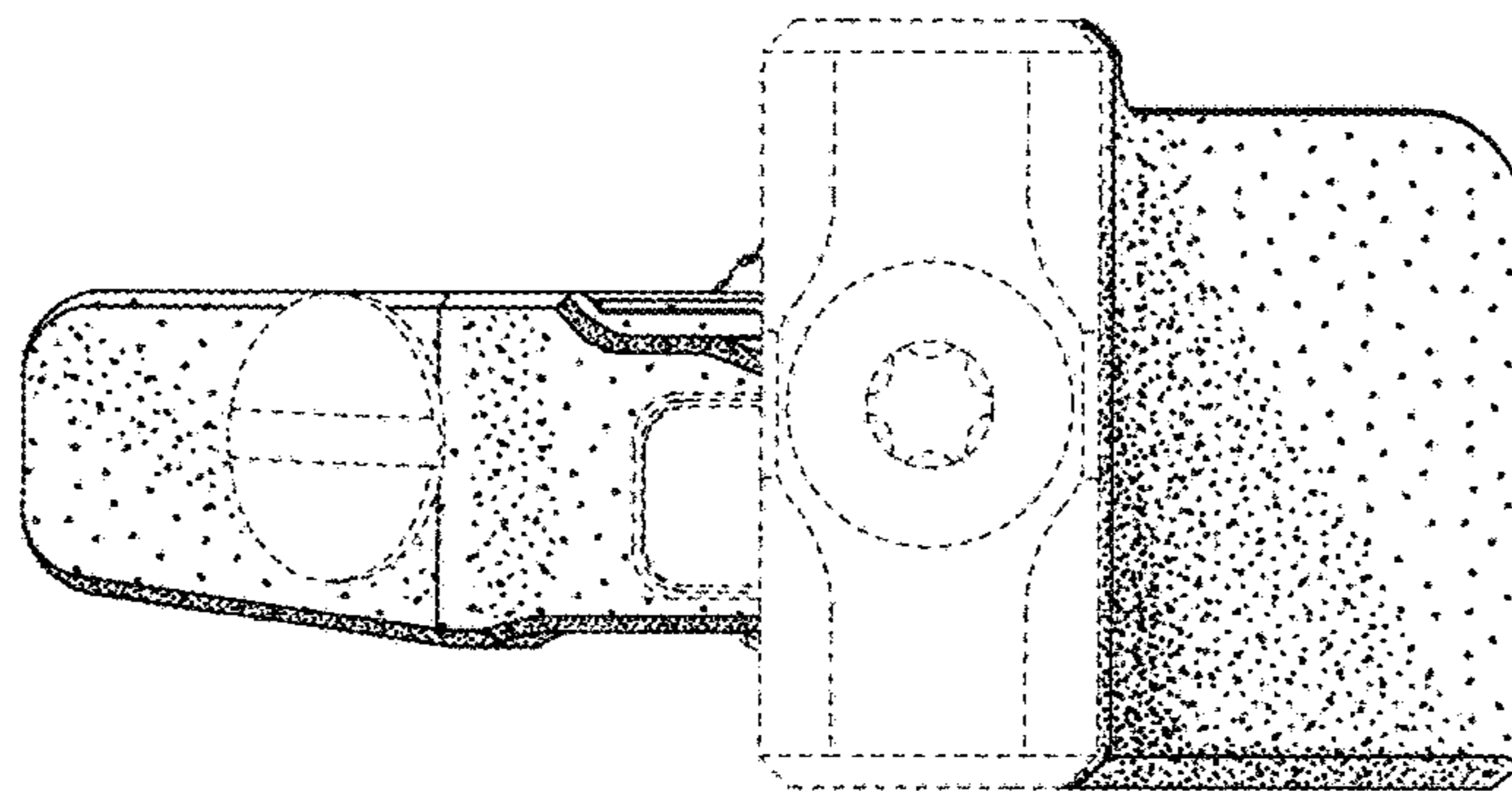


Fig. 6

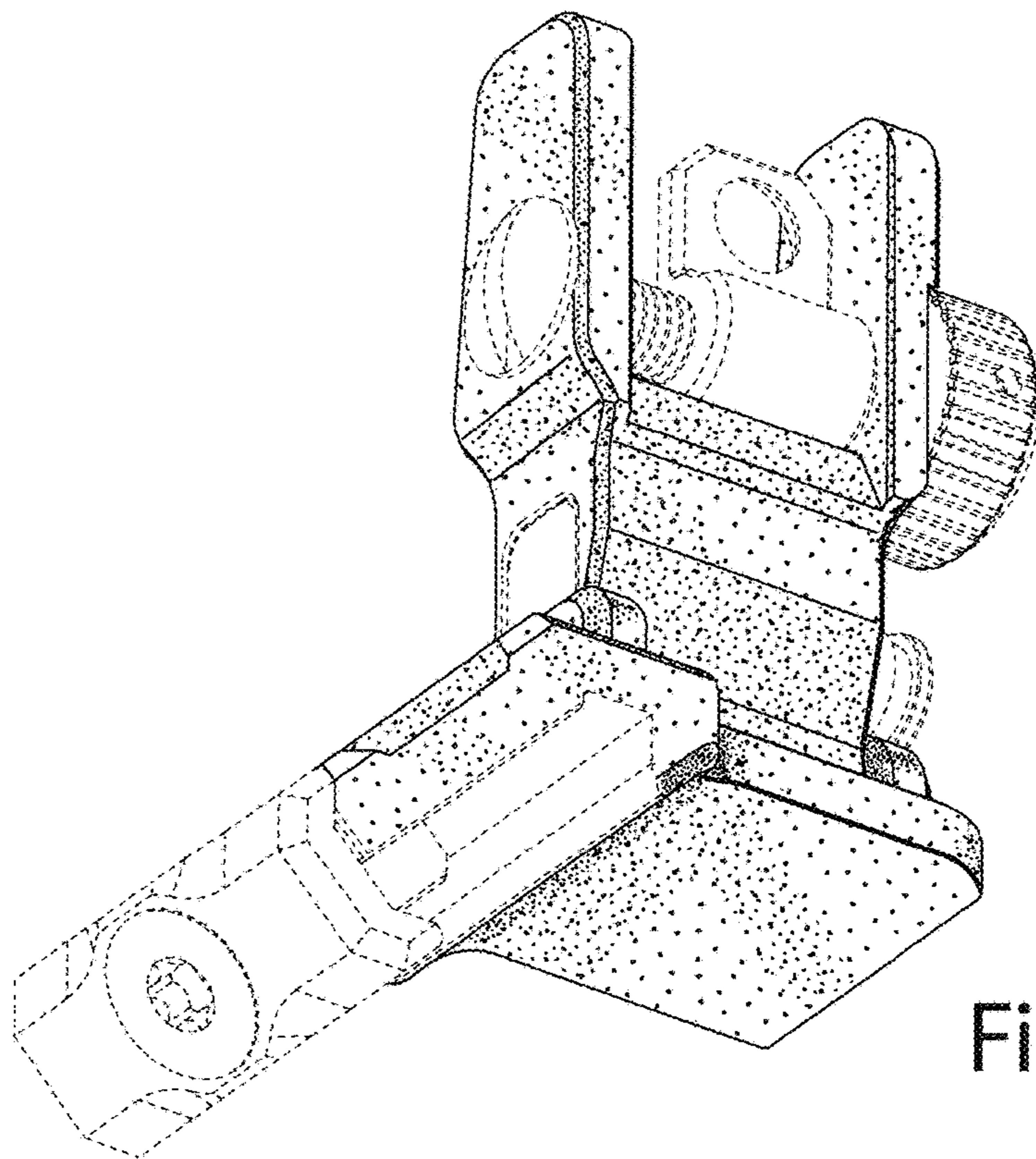


Fig. 7