



US00D852913S

(12) **United States Design Patent**
Drozdowski et al.

(10) **Patent No.:** **US D852,913 S**
(45) **Date of Patent:** **** Jul. 2, 2019**

(54) **SWIMMER STARTING PLATFORM**

(71) Applicant: **Pentair Water Pool and Spa, Inc.**,
Cary, NC (US)

(72) Inventors: **James Drozdowski**, Clinton Corners,
NY (US); **Jonathan Mapes**, Highland
Mills, NY (US); **Chris Jung**, Brewster,
NY (US); **Jerry Amato**, LaGrangeville,
NY (US)

(73) Assignee: **Pentair Water Pool and Spa, Inc.**,
Cary, NC (US)

(**) Term: **15 Years**

(21) Appl. No.: **29/608,122**

(22) Filed: **Jun. 19, 2017**

Related U.S. Application Data

(62) Division of application No. 29/542,688, filed on Oct.
16, 2015, now Pat. No. Des. 791,261, which is a
division of application No. 29/478,808, filed on Jan.
8, 2014, now Pat. No. Des. 742,984.

(51) **LOC (11) Cl.** **21-06**

(52) **U.S. Cl.**
USPC **D21/802**

(58) **Field of Classification Search**
USPC D21/801, 802, 769, 770; D6/484, 480,
D6/481, 511

CPC .. A63B 5/00; A63B 5/10; A63B 69/12; A63B
31/00; A63K 3/023

See application file for complete search history.

(56) **References Cited**

U.S. PATENT DOCUMENTS

D202,546 S 10/1965 French
3,401,931 A 9/1968 McCafferty et al.
3,799,542 A 3/1974 Potgieter
3,809,392 A 5/1974 Kral, Jr.

3,916,214 A 10/1975 Coble, Jr.
D240,811 S 8/1976 Beall
4,475,016 A 10/1984 Berger
4,754,965 A 7/1988 Moyer
4,780,085 A 10/1988 Malone
4,913,420 A 4/1990 Moyw
5,033,738 A 7/1991 Newton, Jr.
5,465,964 A 11/1995 Thompson
5,916,031 A 6/1999 Casillan
6,247,935 B1 6/2001 Martin et al.
D464,701 S 10/2002 Kiefer et al.
6,494,812 B1 12/2002 Grimes, Jr.

(Continued)

FOREIGN PATENT DOCUMENTS

WO 03092819 A2 11/2003

OTHER PUBLICATIONS

Swiss Timing OSB11 Starting Block; retrieved from U.S. Patent
Office records; patent No. 791261; 2 pages.

(Continued)

Primary Examiner — Zenia I Bennett

(74) *Attorney, Agent, or Firm* — Quarles & Brady LLP

(57) **CLAIM**

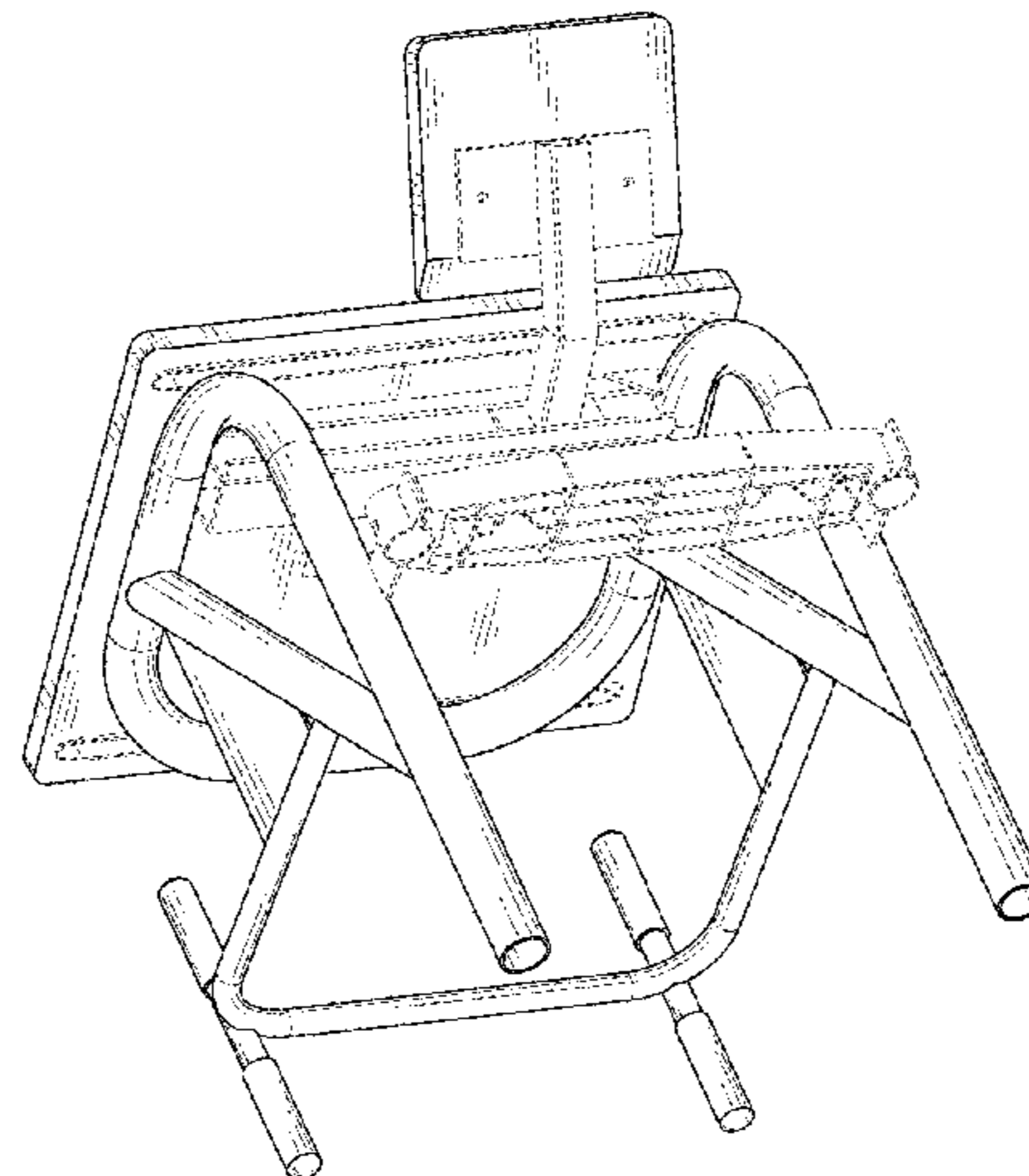
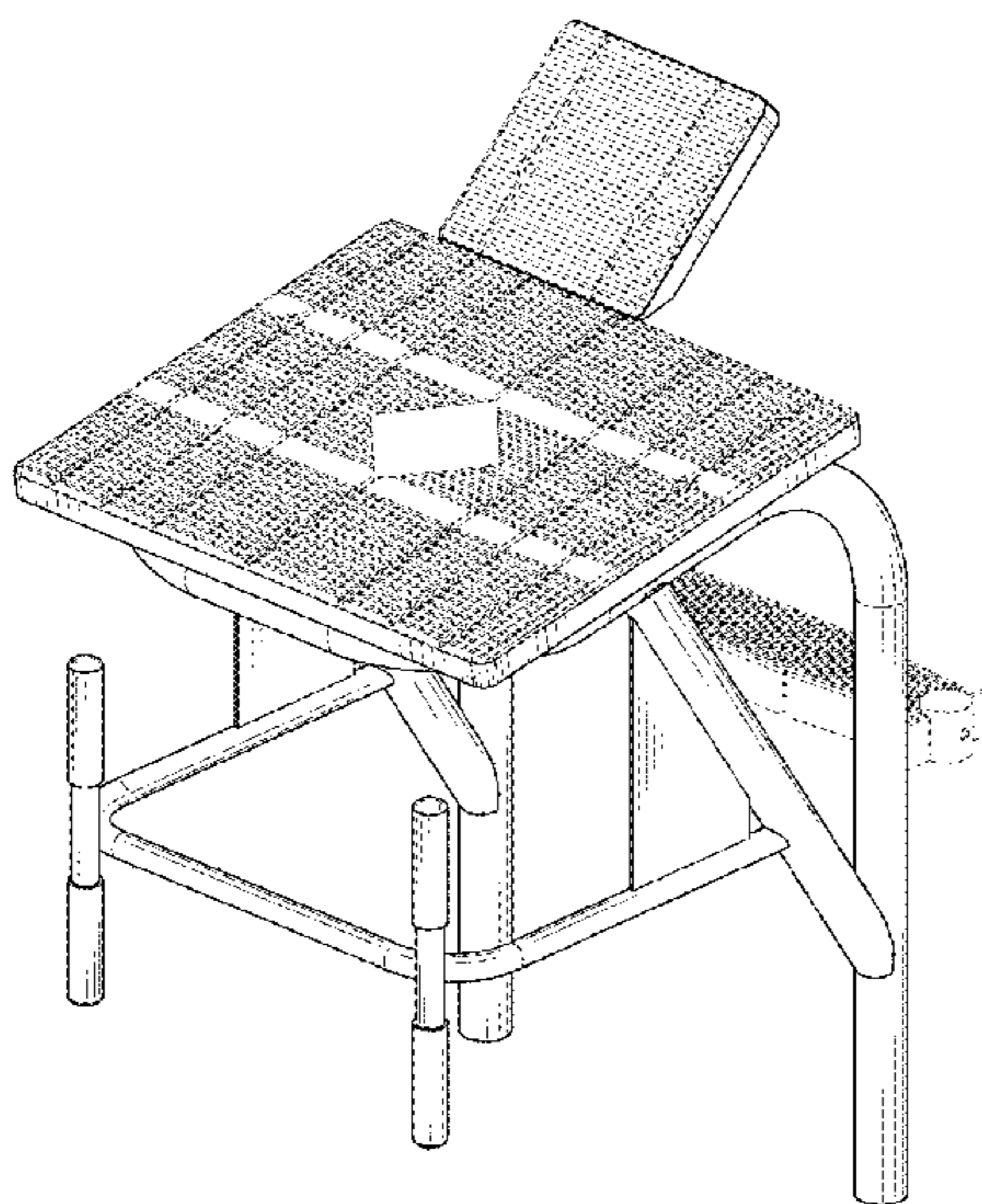
The ornamental design for a swimmer starting platform, as
shown and described.

DESCRIPTION

FIG. 1 is an isometric view of a front, top, and left side of
an ornamental design for a swimmer starting platform;
FIG. 2 is an isometric view of a rear, bottom, and left side
of the swimmer starting platform of FIG. 1; and,
FIG. 3 is a right side elevational view of the swimmer
starting platform of FIG. 1.

The broken lines are included for the purpose of illustrating
environmental structure and form no part of the claimed
design.

1 Claim, 3 Drawing Sheets



(56)

References Cited

U.S. PATENT DOCUMENTS

6,523,188	B1	2/2003	Kiefer et al.	
D471,945	S	3/2003	Ryerson et al.	
6,532,606	B1	3/2003	Skovronski	
D509,277	S	9/2005	Gispert	
7,058,994	B2	6/2006	Weimer et al.	
8,696,525	B2 *	4/2014	Solanyk	A63K 3/023 482/55
8,986,172	B2 *	3/2015	Poole	A63B 21/0552 473/441
2005/0227813	A1 *	10/2005	Curry	A63B 5/10 482/30

OTHER PUBLICATIONS

Startline Model—Omega SP; retrieved from U.S. Patent Office records; patent No. 791261; 1 page.

Startline Model—Fusion by Spectrum; retrieved from U.S. Patent Office records; patent No. 791261; 1 page.

* cited by examiner

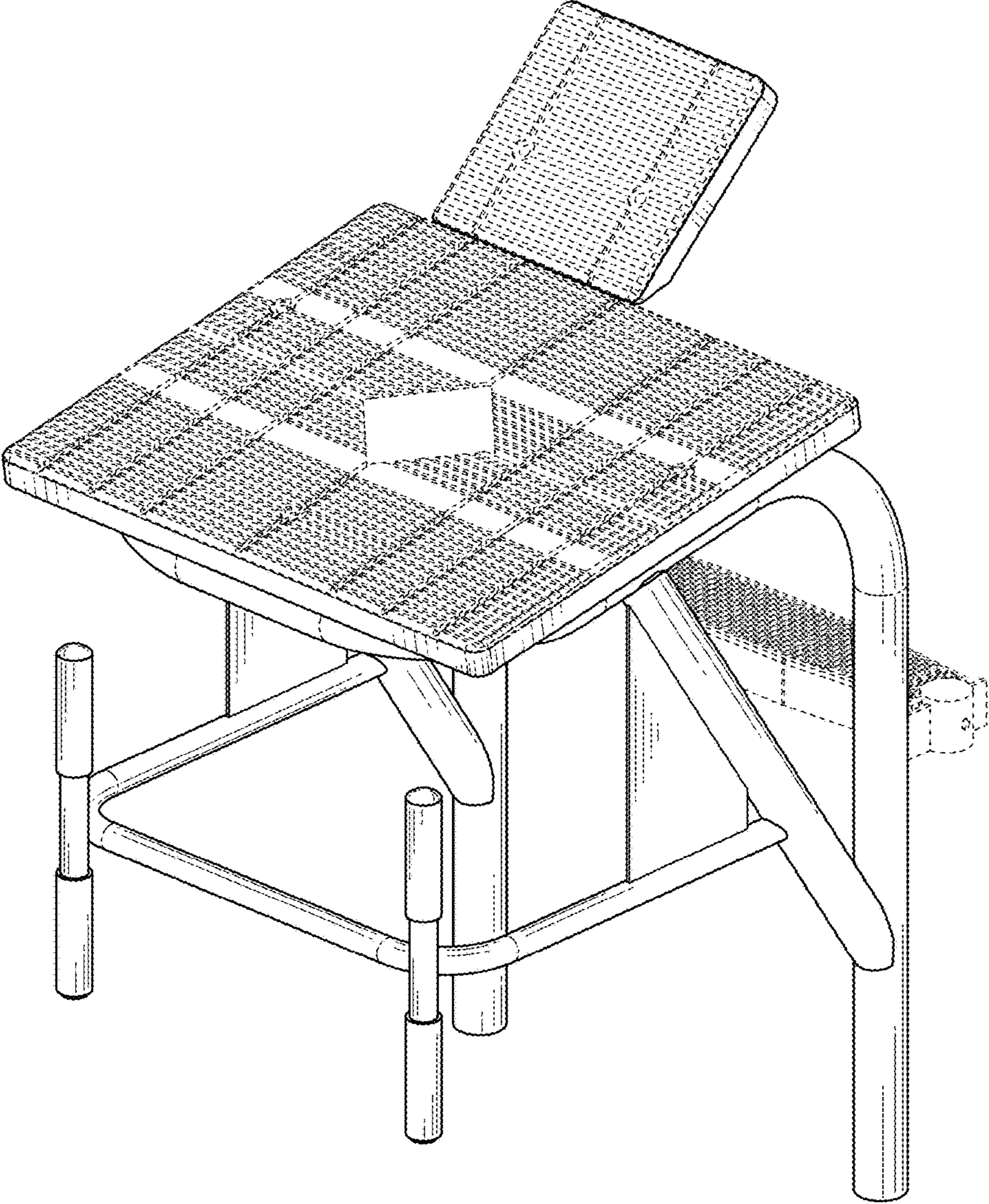


FIG. 1

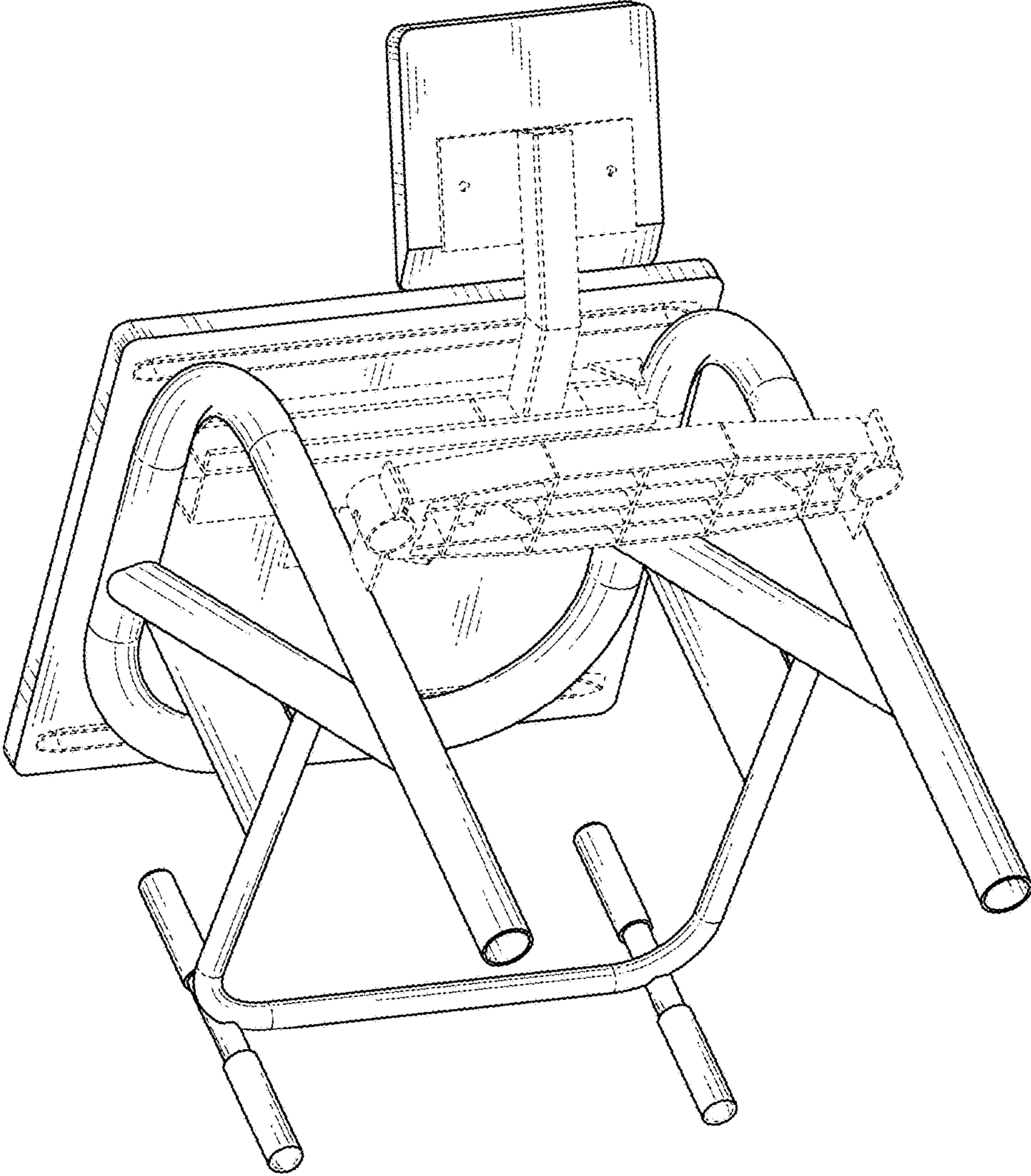


FIG. 2

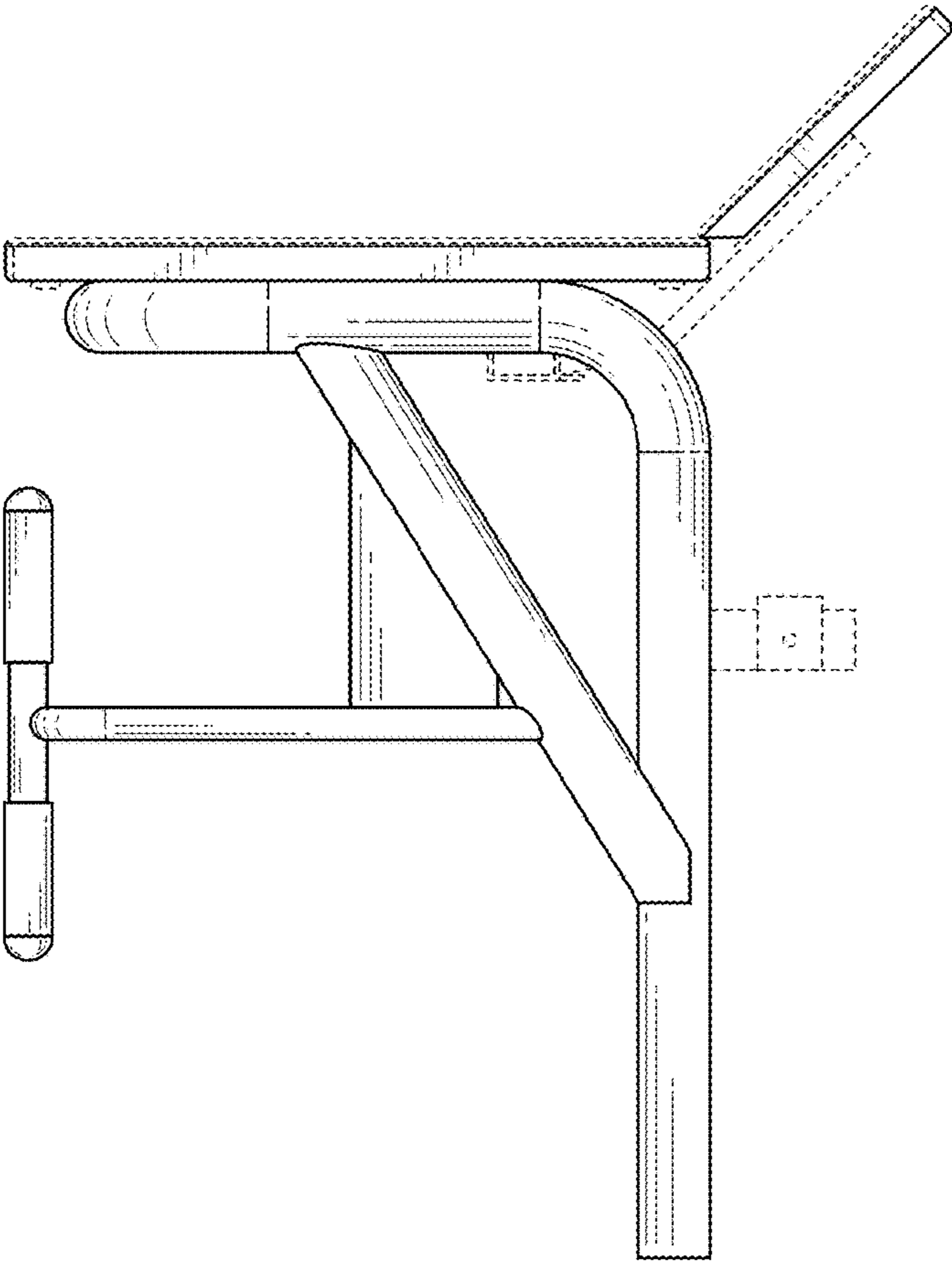


FIG. 3