

US00D852911S

(12) **United States Design Patent**  
**Wang et al.**

(10) **Patent No.:** **US D852,911 S**  
(45) **Date of Patent:** **\*\* Jul. 2, 2019**

(54) **GOLF CLUB HEAD**

FOREIGN PATENT DOCUMENTS

(71) Applicant: **KARSTEN MANUFACTURING CORPORATION**, Phoenix, AZ (US)

JP 1431246 1/2012

(72) Inventors: **Calvin S. Wang**, Chandler, AZ (US);  
**John A. Solheim**, Phoenix, AZ (US);  
**David A. Higdon**, Cave Creek, AZ (US)

OTHER PUBLICATIONS

Yamaha Corporation, Yamaha Femina 10 (2015).  
Justin Fantl, Green Monsters Mallet Putters Surge in Popularity, 10, p. 28 and 29 (2017).

(73) Assignee: **Karsten Manufacturing Corporation**, Phoenix, AZ (US)

*Primary Examiner* — Mitchell I. Siegel

(\*\*) Term: **15 Years**

(57) **CLAIM**

(21) Appl. No.: **29/632,533**

The ornamental design for a golf club head, as shown and described.

(22) Filed: **Jan. 8, 2018**

(51) **LOC (11) Cl.** ..... **21-02**

(52) **U.S. Cl.**

USPC ..... **D21/744**

(58) **Field of Classification Search**

USPC ..... D21/736–746, 759

CPC ..... A63B 53/00; A63B 53/04; A63B 53/007;

A63B 53/065; A63B 53/0487; A63B

60/00; A63B 60/46

See application file for complete search history.

**DESCRIPTION**

FIG. 1 is a top perspective view of a golf club head;  
FIG. 2 is a bottom perspective view of the golf club head of FIG. 1;  
FIG. 3 is a top view of the golf club head of FIG. 1;  
FIG. 4 is a bottom view of the golf club head of FIG. 1;  
FIG. 5 is a front view of the golf club head of FIG. 1;  
FIG. 6 is a rear view of the golf club head of FIG. 1;  
FIG. 7 is a toe side view of the golf club head of FIG. 1;  
FIG. 8 is a heel side view of the golf club head of FIG. 1;  
FIG. 9 is a top perspective view of another embodiment of a golf club head;  
FIG. 10 is a bottom perspective view of the golf club head of FIG. 9;  
FIG. 11 is a top view of the golf club head of FIG. 9;  
FIG. 12 is a bottom view of the golf club head of FIG. 9;  
FIG. 13 is a front view of the golf club head of FIG. 9;  
FIG. 14 is a rear view of the golf club head of FIG. 9;  
FIG. 15 is a toe side view of the golf club head of FIG. 9; and,  
FIG. 16 is a heel side view of the golf club head of FIG. 9.

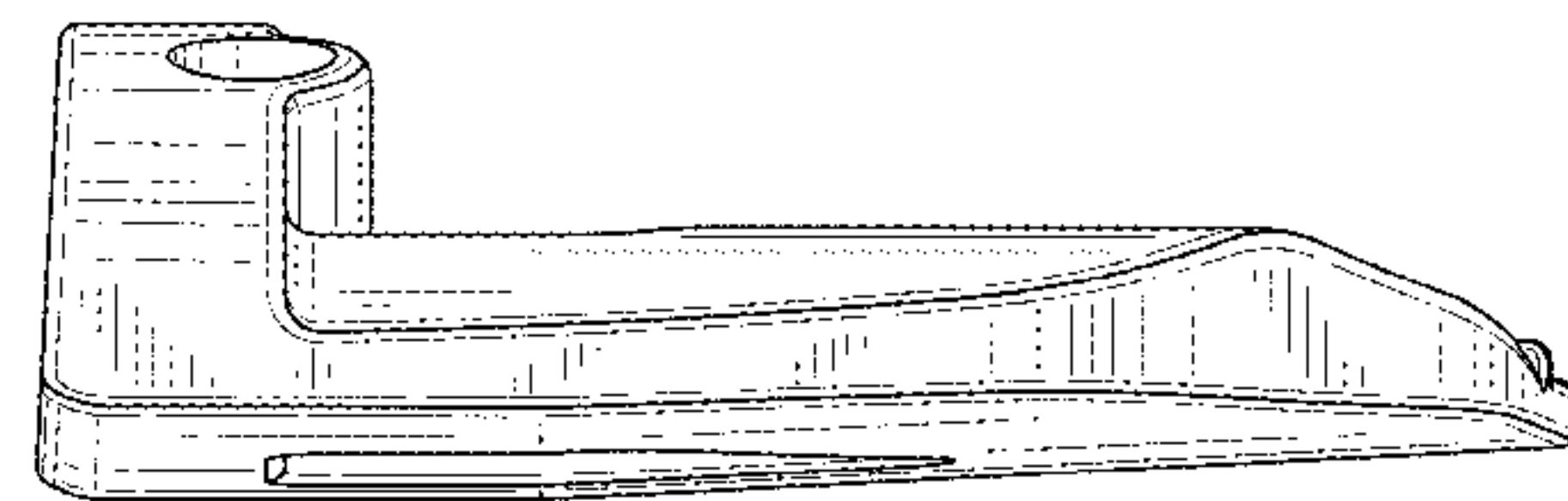
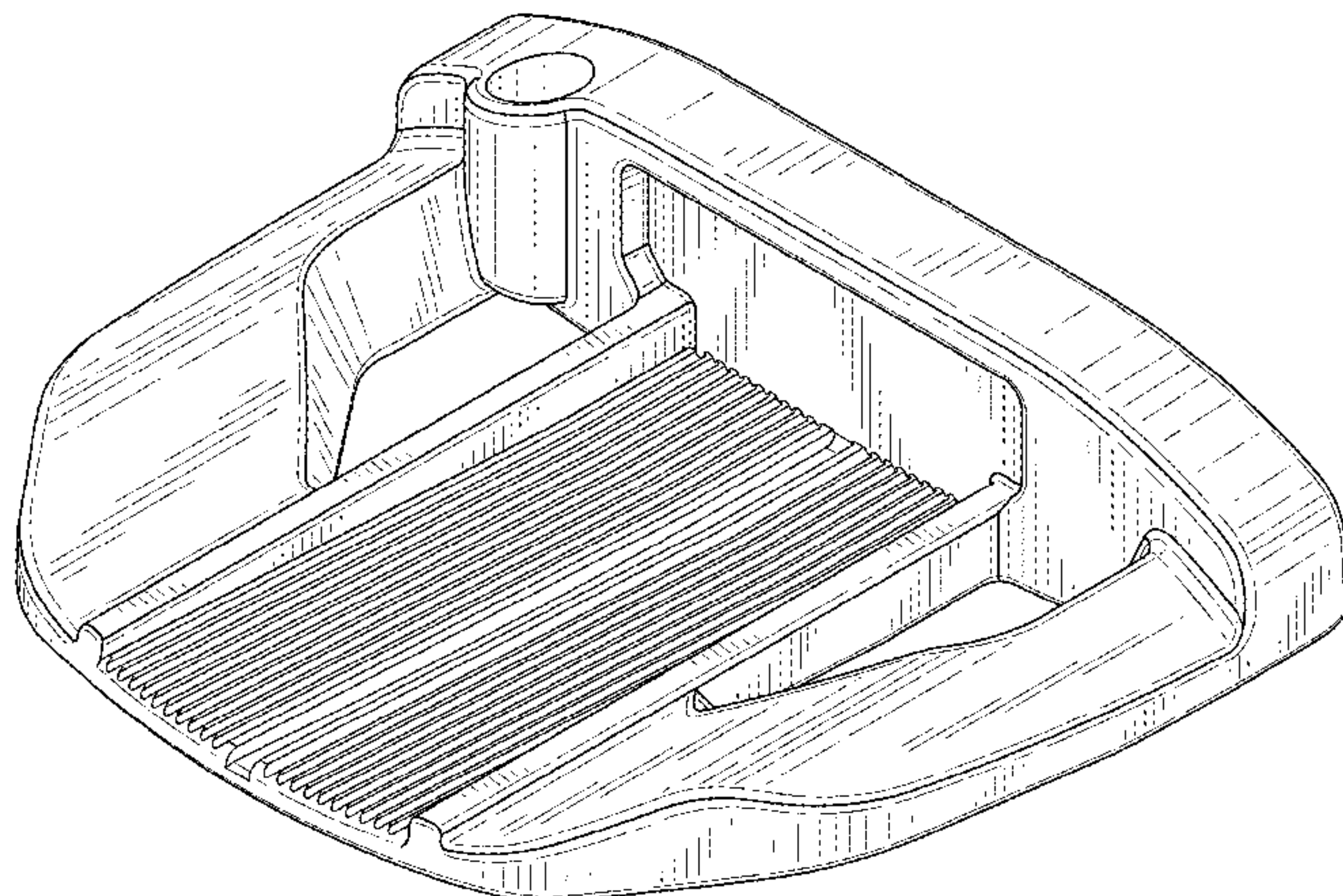
(56) **References Cited**

U.S. PATENT DOCUMENTS

D316,129 S	4/1991	Bryson	
D375,131 S	10/1996	Williams	
5,685,784 A	11/1997	Butler	
D399,900 S	10/1998	Hogan	
D488,200 S	4/2004	Olsavsky	
D488,526 S	4/2004	Souza	
D496,417 S *	9/2004	Tang	D21/738
D500,109 S	12/2004	Solheim	
D500,110 S	12/2004	Solheim	
6,837,801 B1	1/2005	Souza	
6,893,355 B2	5/2005	Souza	
D507,317 S *	7/2005	Garner	D21/743
D507,612 S	7/2005	Souza	

(Continued)

**1 Claim, 12 Drawing Sheets**



(56)

References Cited

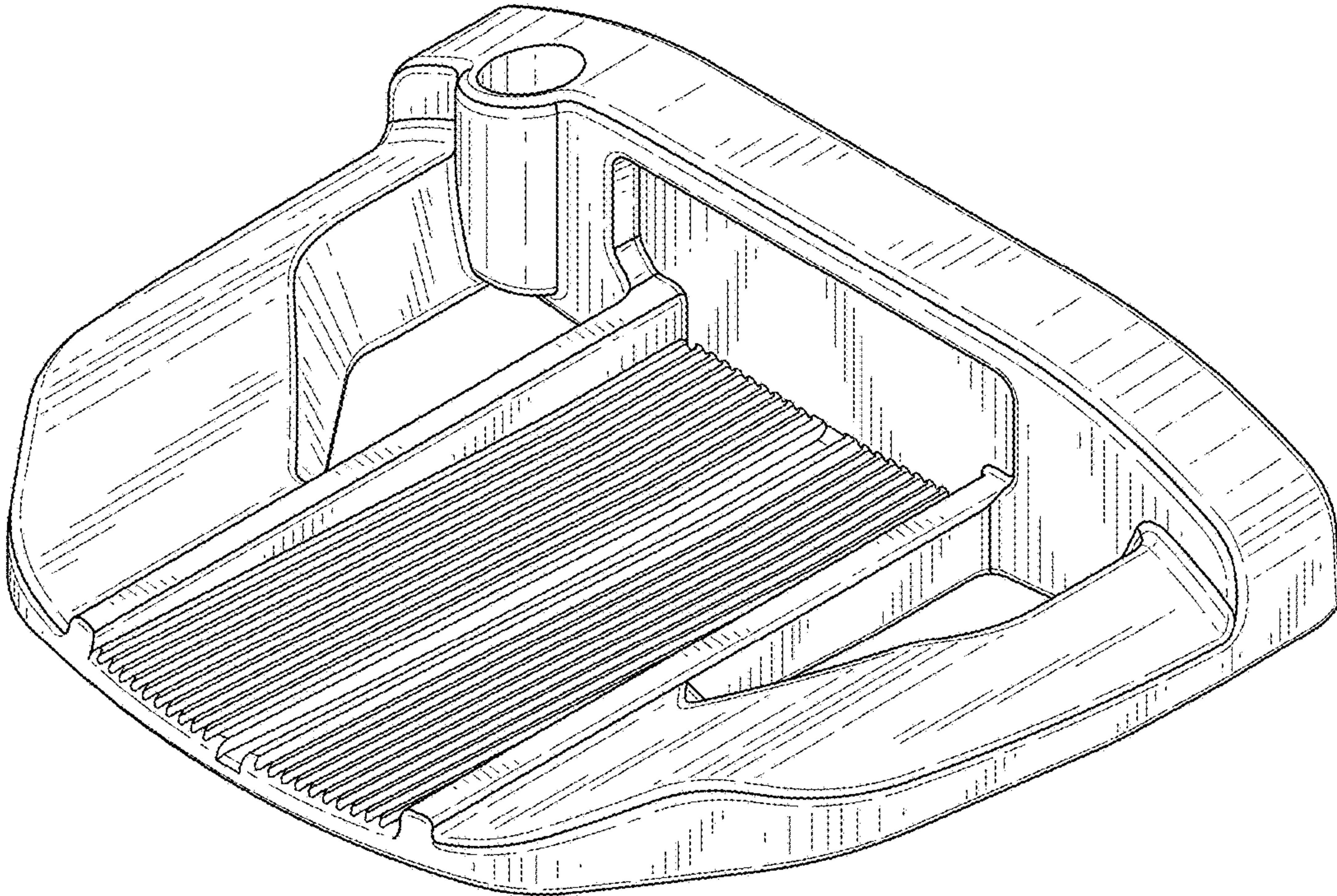
U.S. PATENT DOCUMENTS

D508,273 S \* 8/2005 Garner ..... D21/743  
 6,926,615 B1 8/2005 Souza  
 6,960,140 B2 11/2005 Solheim  
 6,966,845 B2 11/2005 Solheim  
 D520,584 S 5/2006 Karlsen  
 D521,582 S 5/2006 Souza  
 7,052,411 B2 5/2006 Solheim  
 D522,598 S 6/2006 Solheim  
 7,086,957 B2 8/2006 Solheim  
 D527,777 S 9/2006 Solheim  
 D529,108 S 9/2006 Stites  
 D532,847 S 11/2006 Rollinson  
 D533,243 S 12/2006 Fife  
 D533,609 S \* 12/2006 Moore ..... D21/742  
 D542,873 S \* 5/2007 Oldknow ..... D21/759  
 7,235,021 B2 6/2007 Solheim  
 D548,295 S 8/2007 Jertson  
 7,255,650 B2 8/2007 Braynt  
 D552,197 S 10/2007 Wells  
 D561,854 S \* 2/2008 Morris ..... D21/744  
 D564,606 S \* 3/2008 Oldknow ..... D21/736  
 D565,137 S 3/2008 Oldknow  
 D569,460 S 5/2008 Walker  
 D569,461 S \* 5/2008 Morris ..... D21/744  
 D569,462 S 5/2008 Rollinson  
 D571,879 S 5/2008 Jones et al.  
 D574,907 S 8/2008 Jones et al.  
 D581,473 S 11/2008 Thomas  
 D583,003 S 12/2008 Solheim

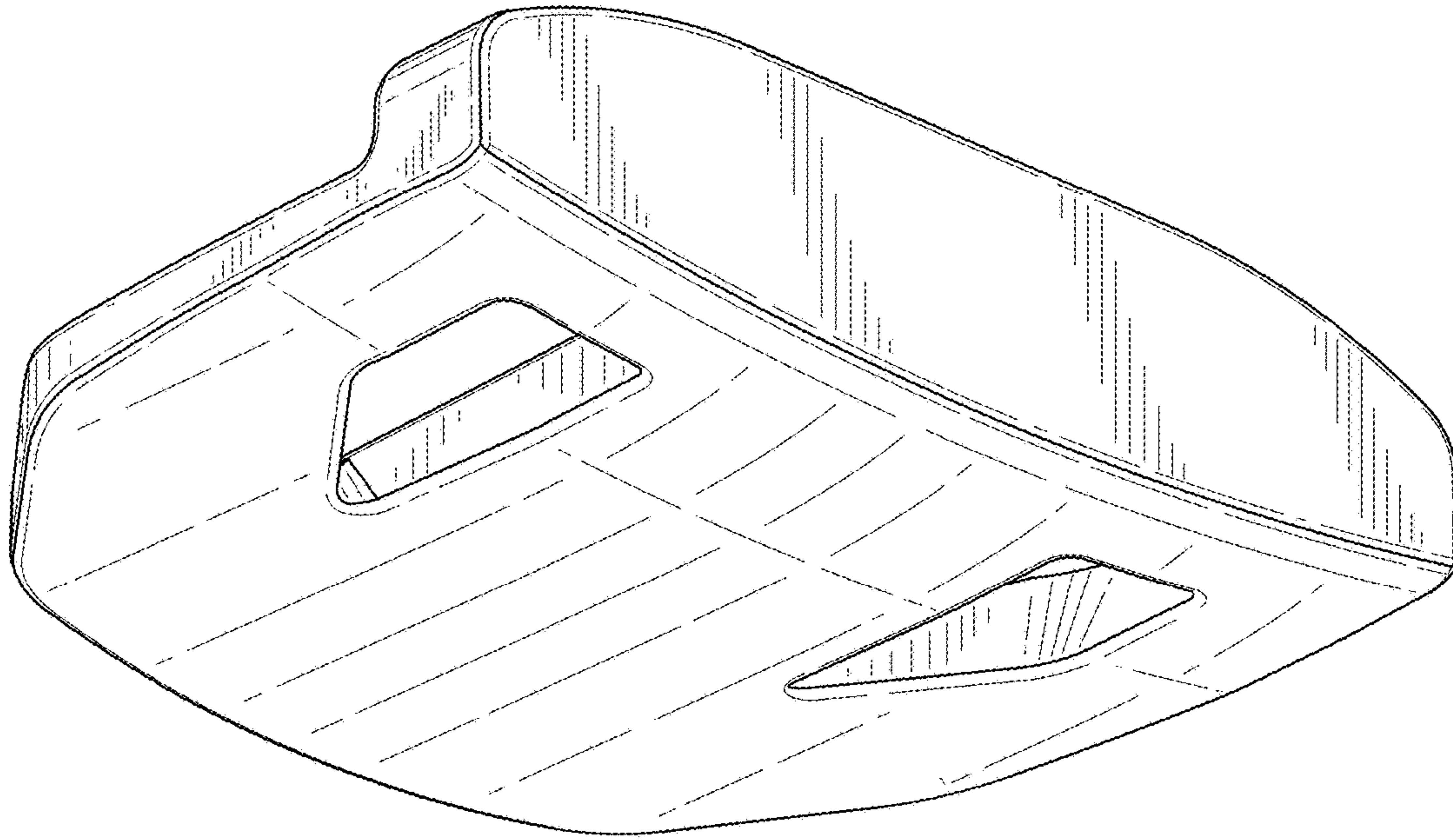
D587,325 S 2/2009 Solheim  
 D591,806 S \* 5/2009 Cameron ..... D21/743  
 D594,073 S 6/2009 Kadoya  
 D595,372 S 6/2009 Rollinson  
 D600,760 S 9/2009 Serrano  
 D600,761 S 9/2009 Solheim  
 D600,762 S 9/2009 Serrano  
 D607,950 S 1/2010 Souza  
 D621,458 S 8/2010 Serrano  
 D621,460 S 8/2010 Serrano  
 D621,461 S 8/2010 Serrano  
 D621,462 S 8/2010 Serrano  
 D621,891 S \* 8/2010 Serrano ..... D21/742  
 7,803,066 B2 9/2010 Solheim  
 D638,891 S 5/2011 Nicolette  
 D640,341 S 6/2011 Foster  
 D643,080 S 8/2011 Serrano  
 D643,485 S 8/2011 Nicolette et al.  
 D643,486 S 8/2011 Serrano  
 D643,487 S 8/2011 Serrano  
 8,100,779 B2 1/2012 Solheim  
 D653,718 S 2/2012 Stokke  
 8,109,838 B2 2/2012 Solheim  
 D664,617 S 7/2012 Serrano  
 D715,388 S \* 10/2014 Serrano ..... D21/743  
 D796,602 S \* 9/2017 Serrano ..... D21/743  
 D796,603 S \* 9/2017 Serrano ..... D21/744  
 2006/0094533 A1 5/2006 Warren  
 2006/0166755 A1 7/2006 Brown  
 2007/0191135 A1 8/2007 Nilsson  
 2010/0227704 A1 9/2010 Souza

\* cited by examiner

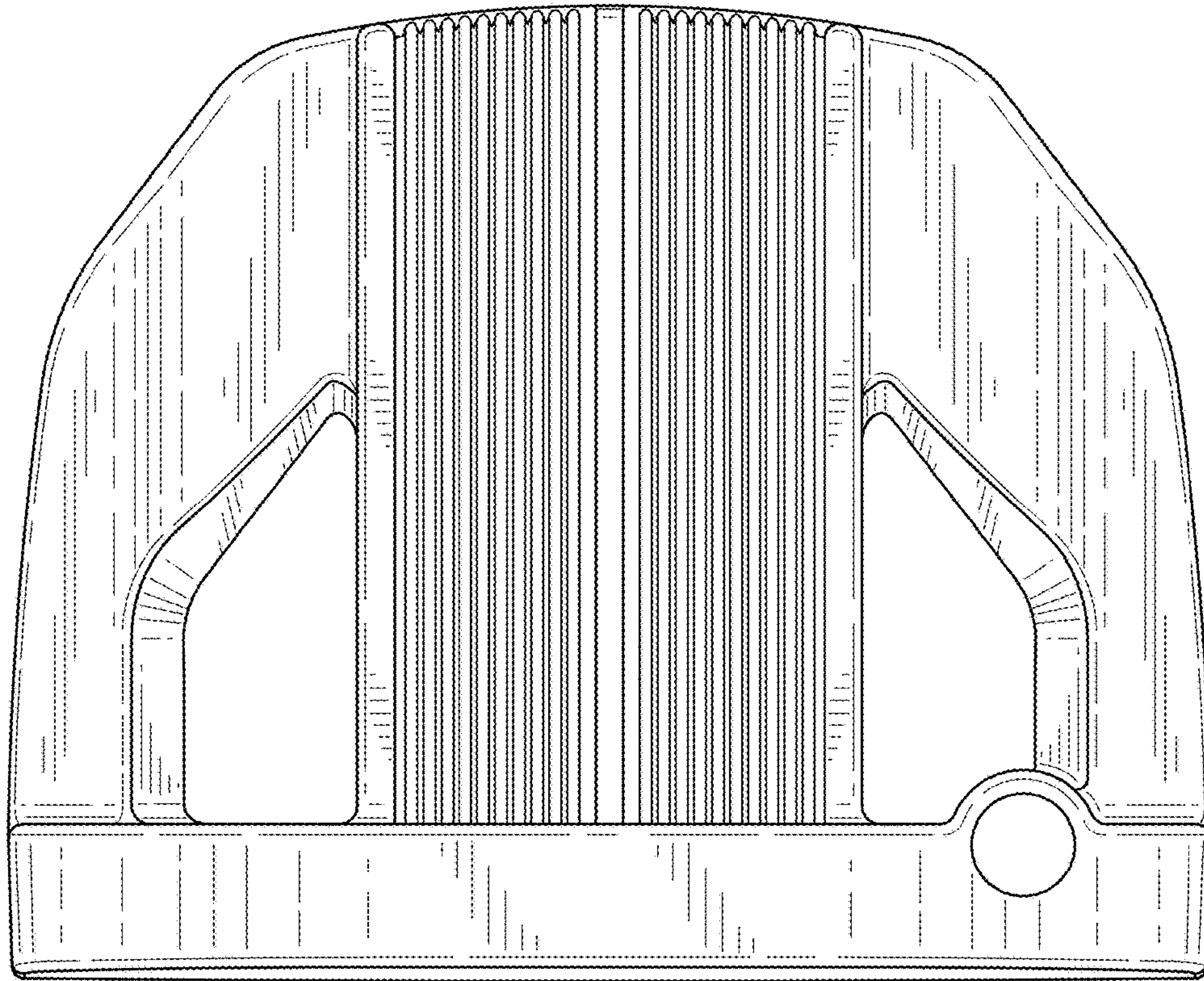




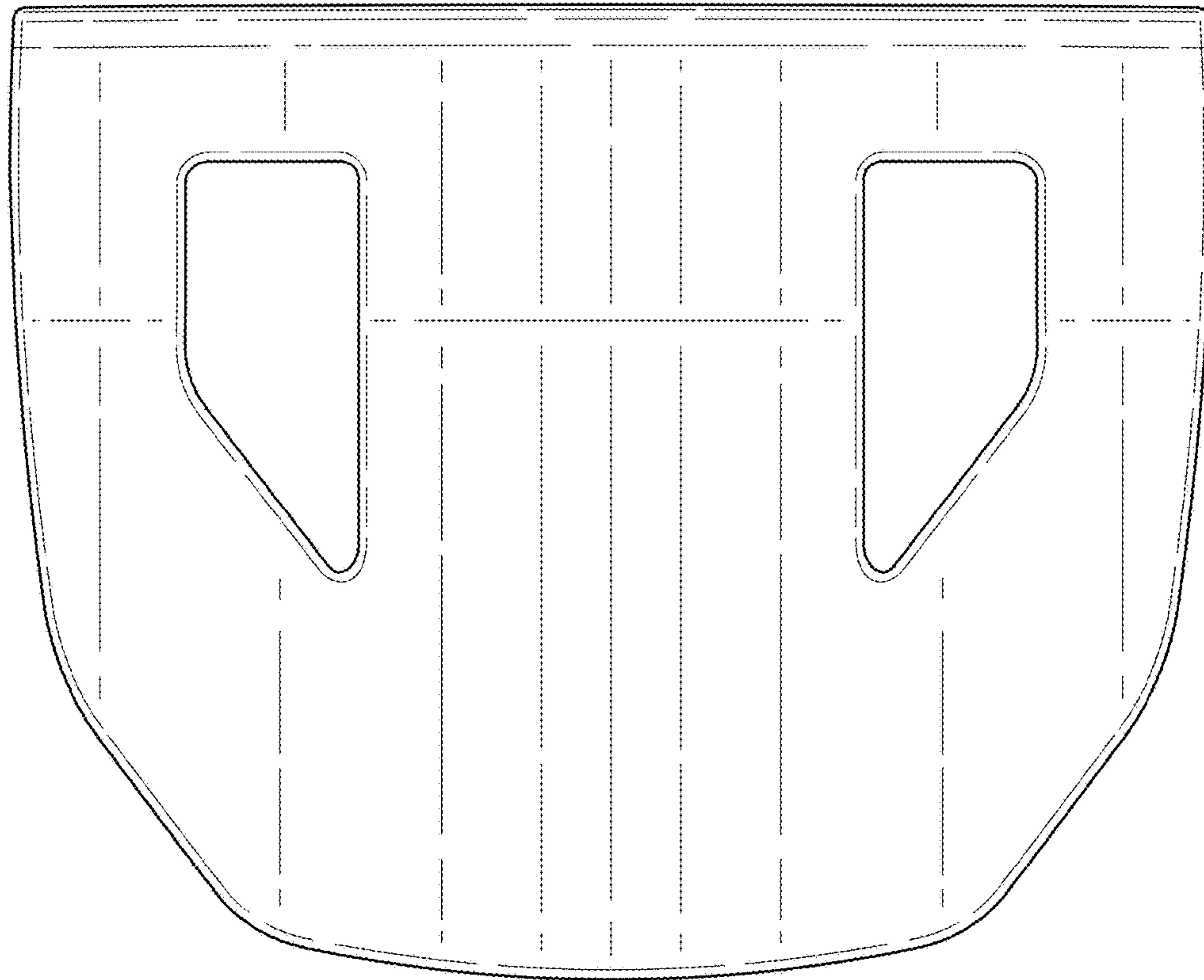
**FIG. 1**



**FIG. 2**

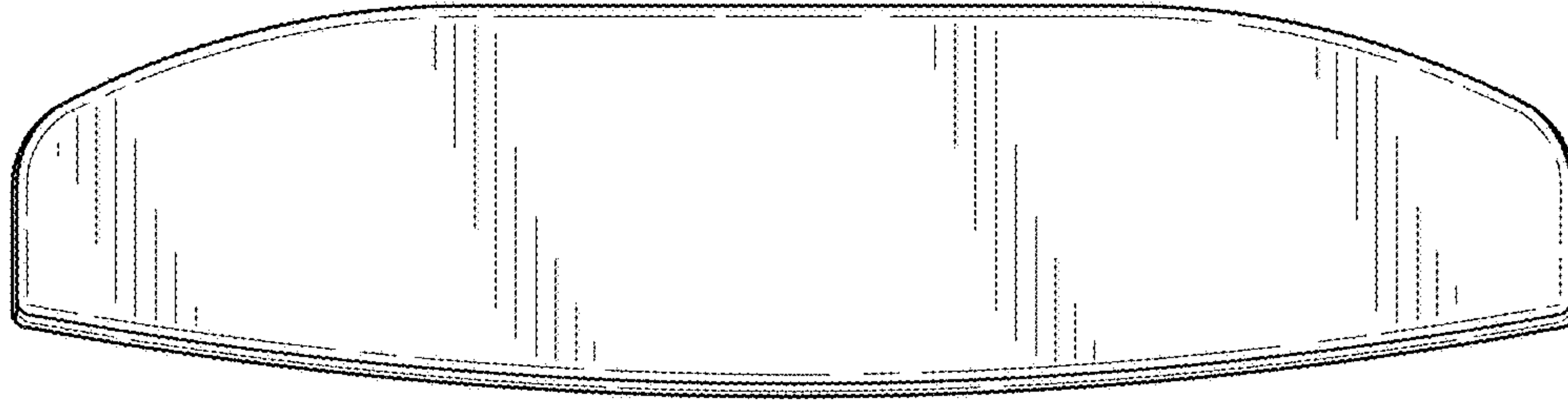


**FIG. 3**

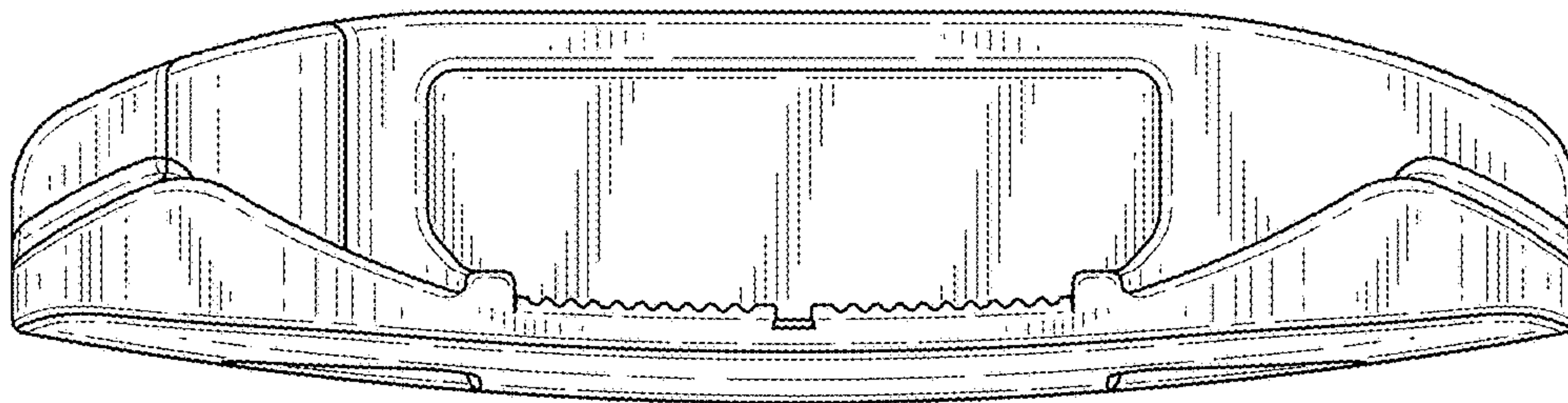


**FIG. 4**

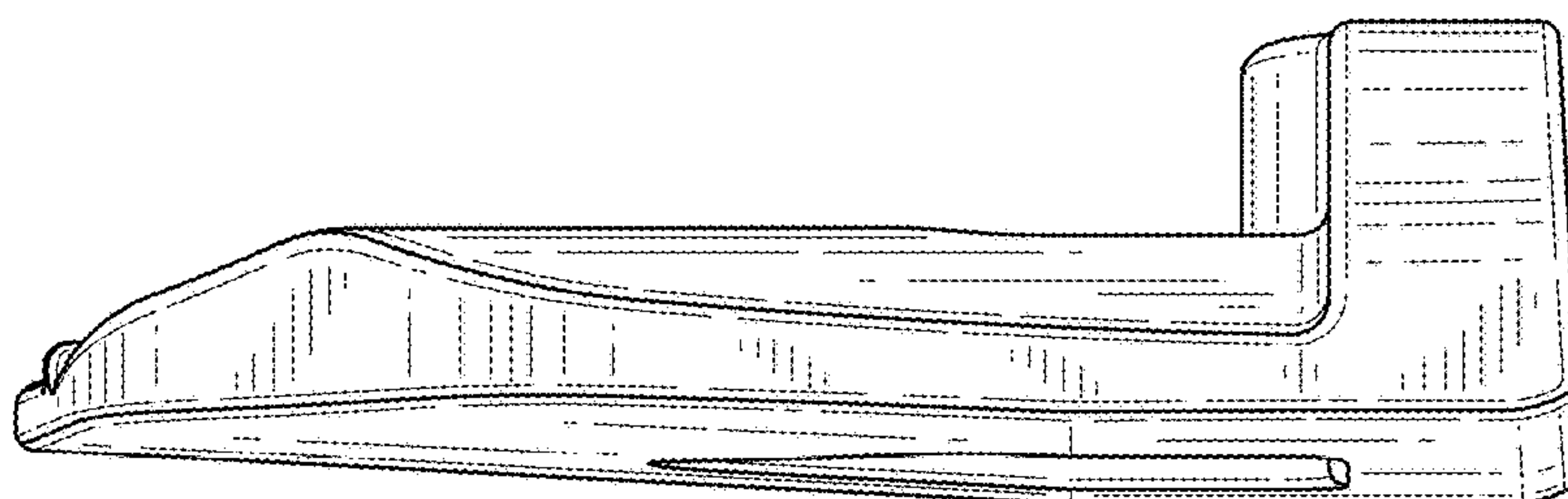




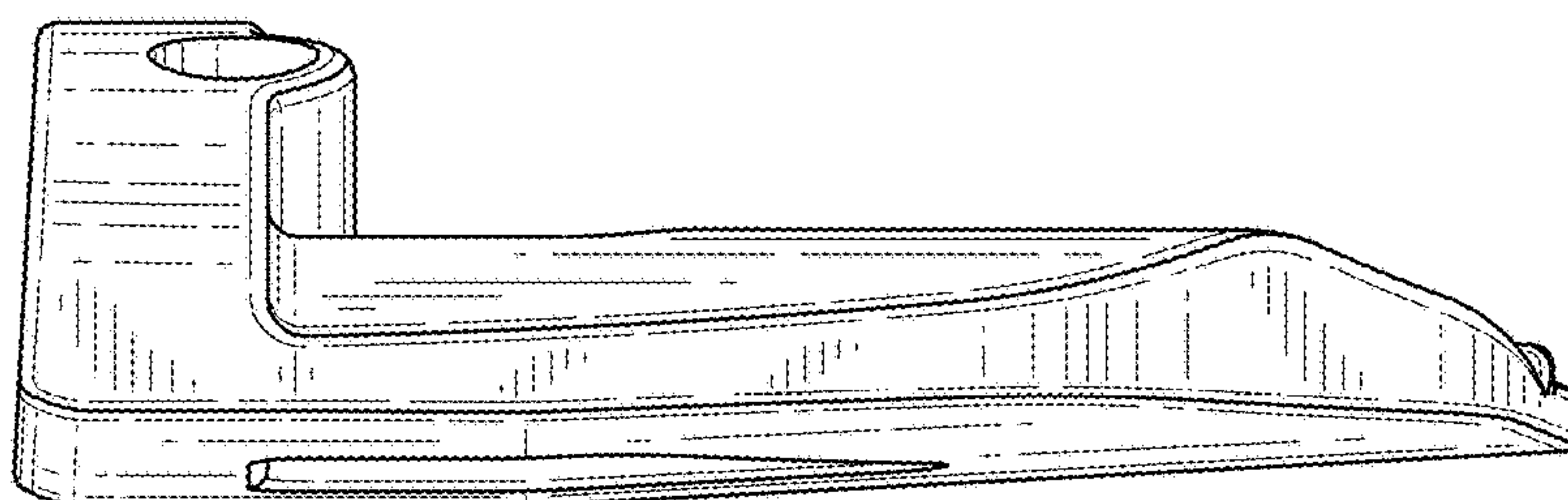
**FIG. 5**



**FIG. 6**

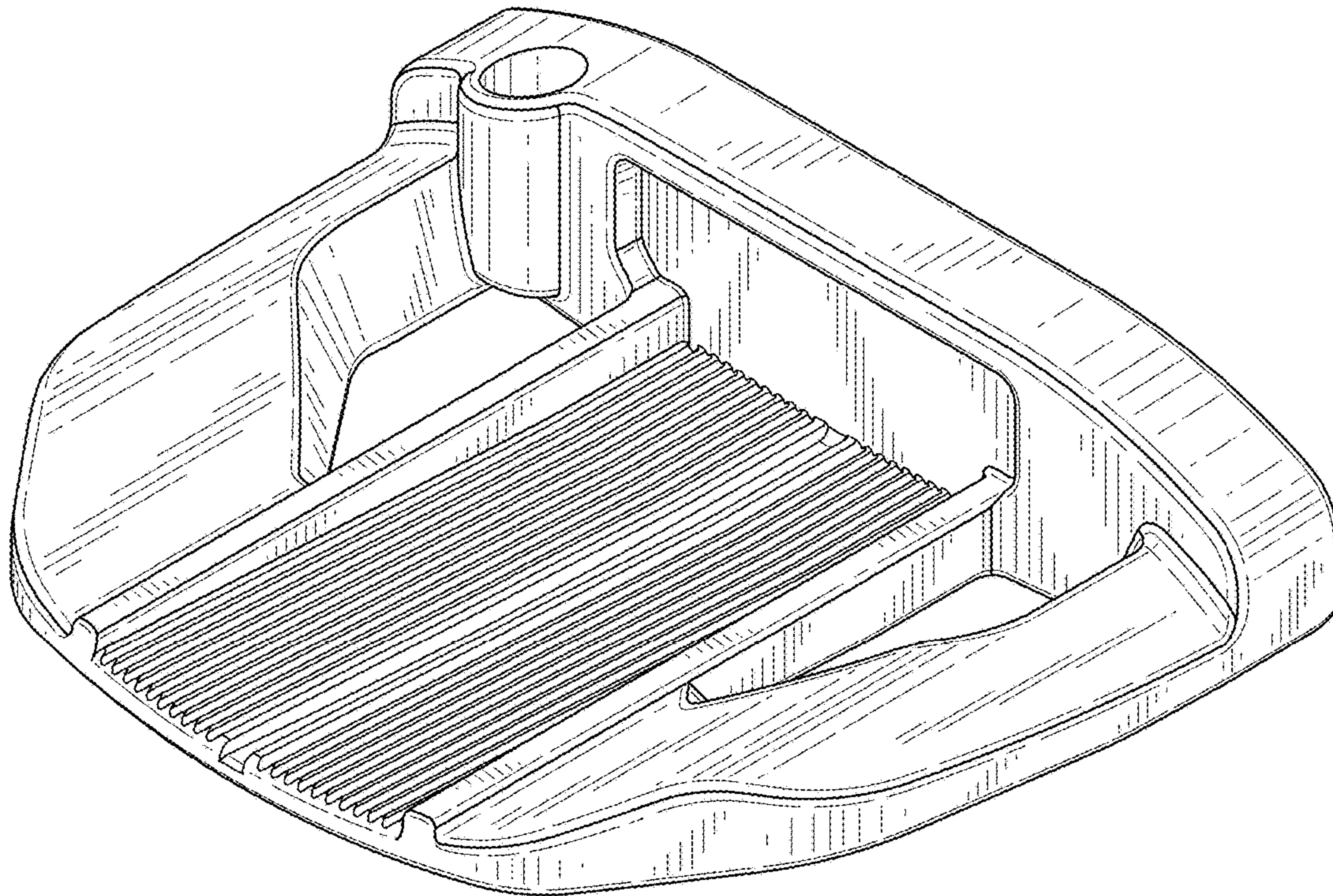


**FIG. 7**

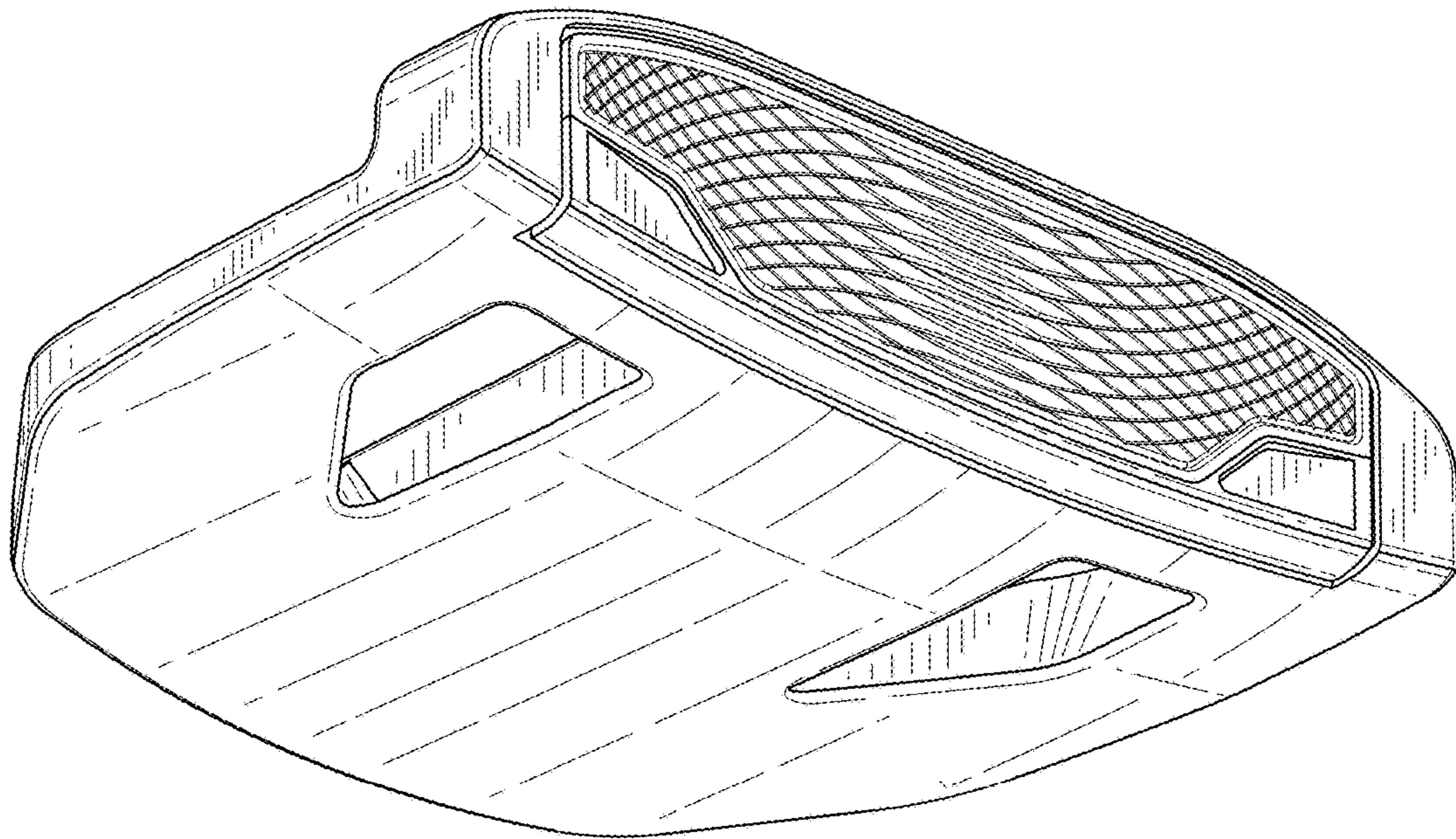


**FIG. 8**

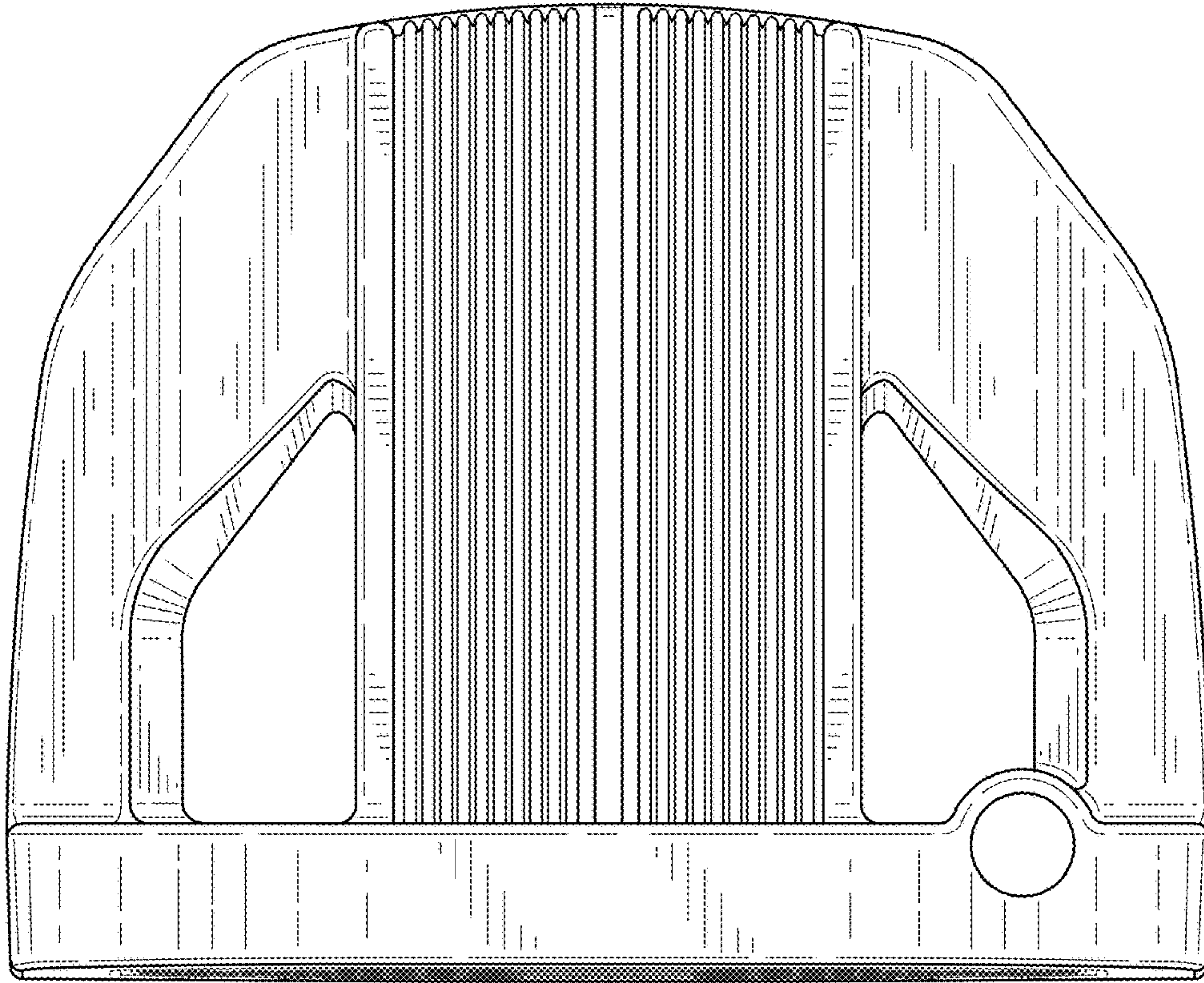




**FIG. 9**

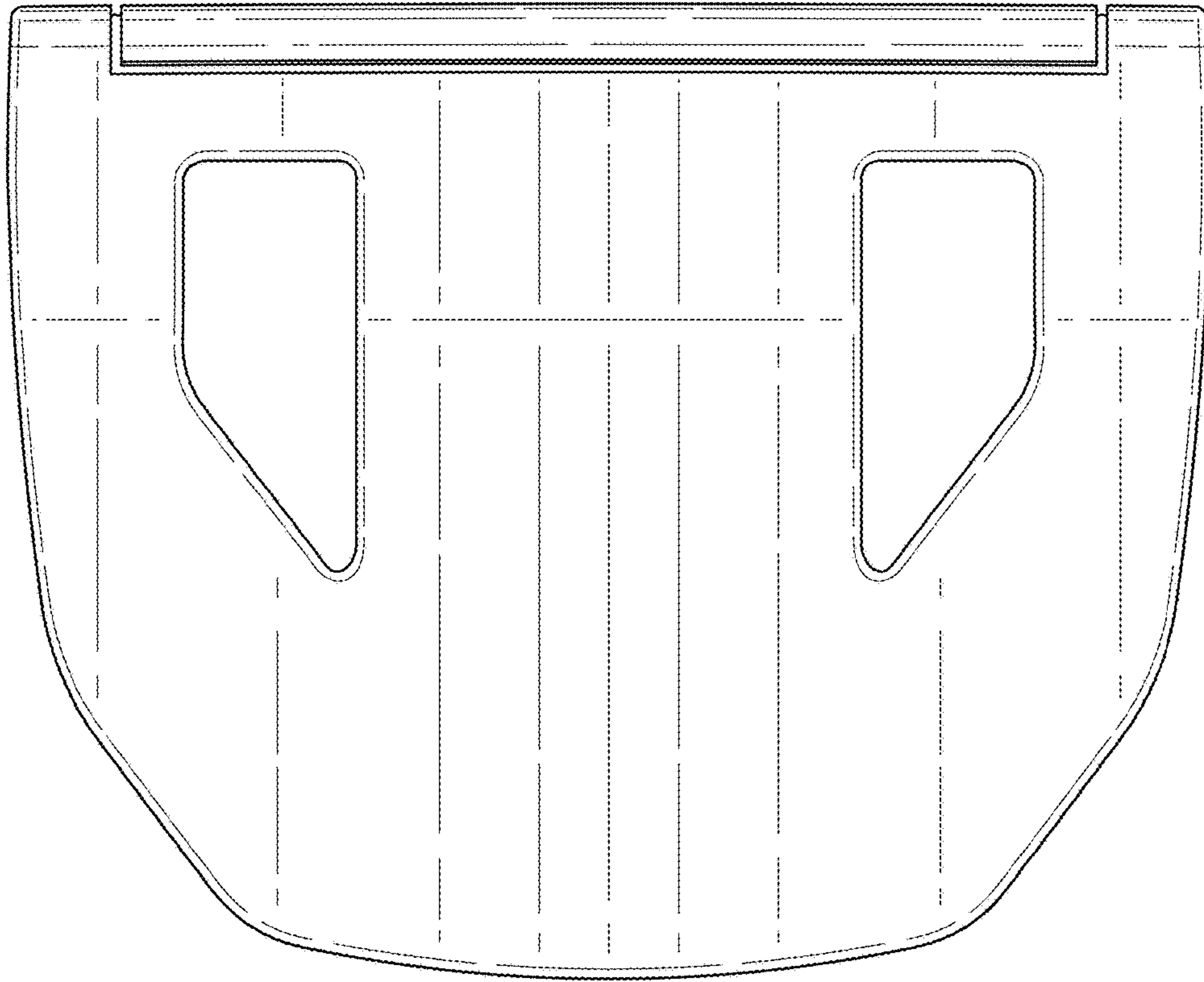


**FIG. 10**



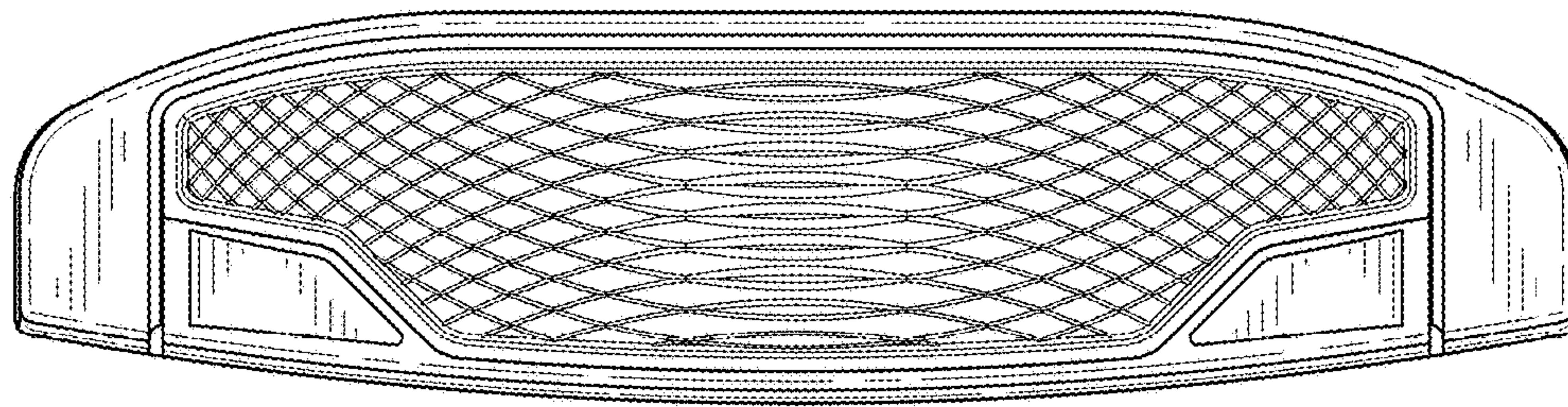
**FIG. 11**



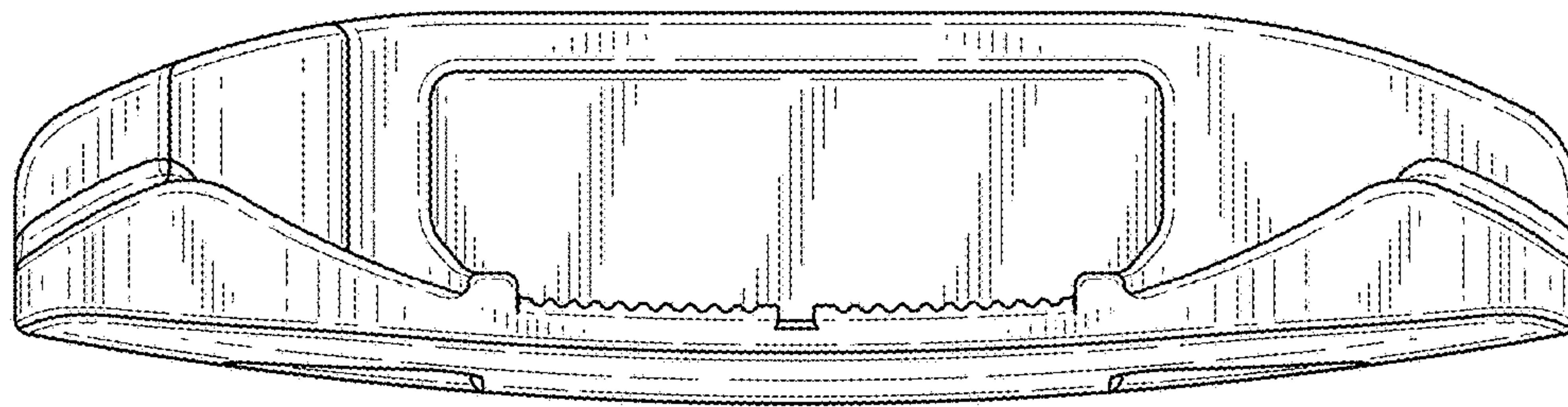


**FIG. 12**

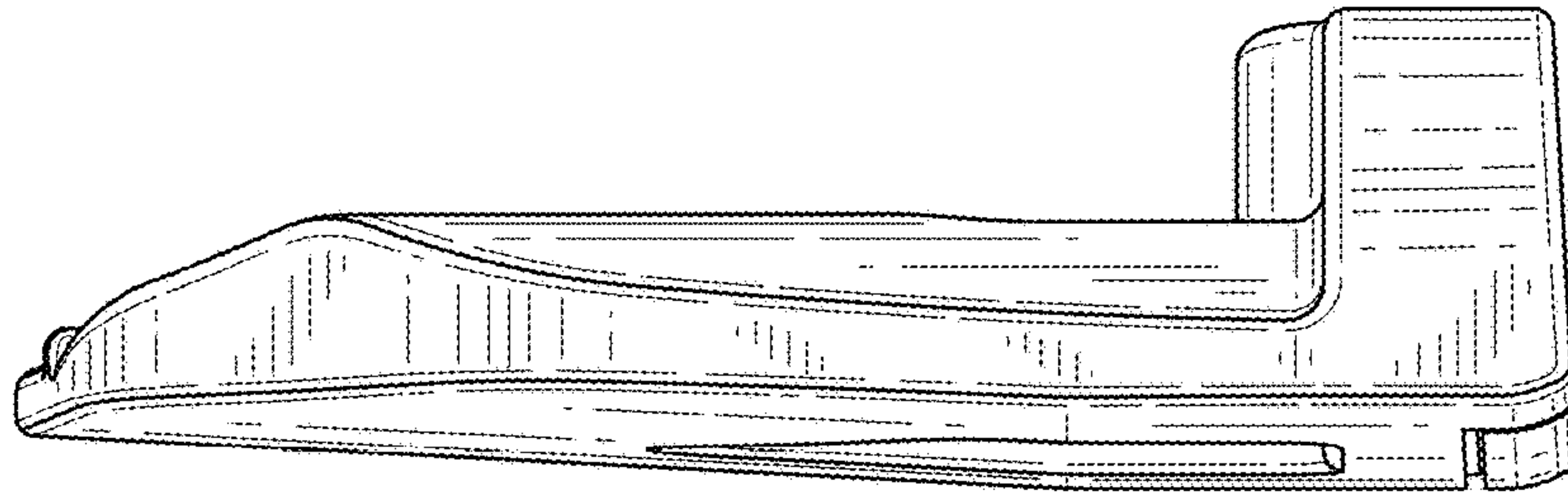




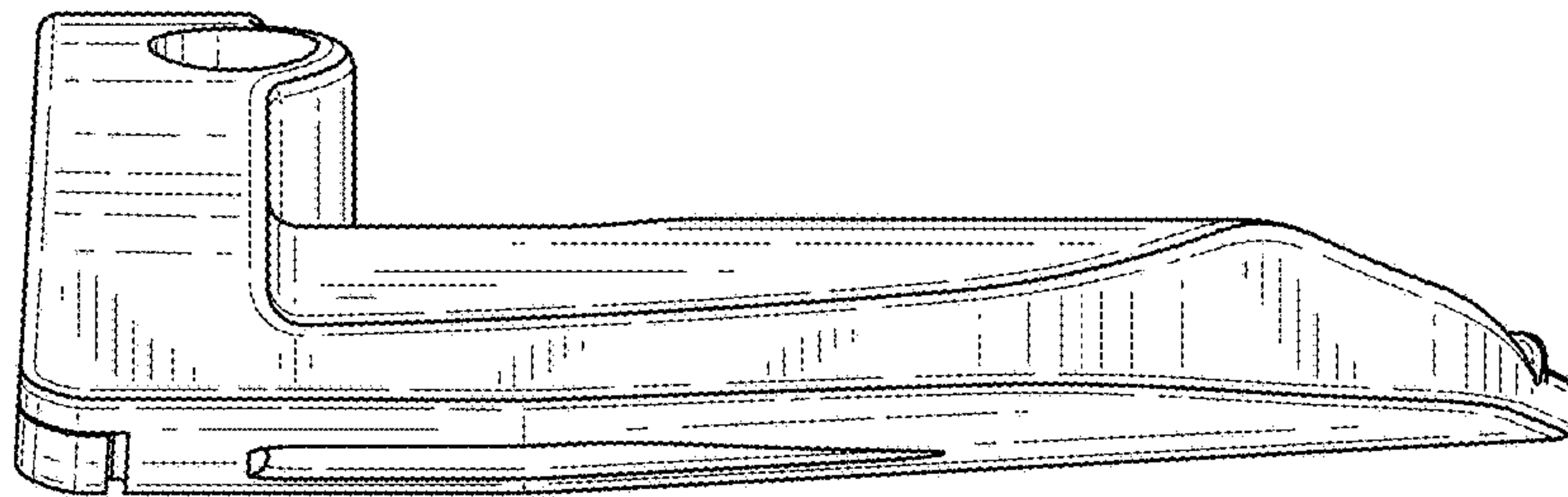
**FIG. 13**



**FIG. 14**



**FIG. 15**



**FIG. 16**