



US00D852909S

(12) **United States Design Patent**  
**Pena**

(10) **Patent No.:** **US D852,909 S**

(45) **Date of Patent:** **\*\* Jul. 2, 2019**

(54) **PIN COVER FOR AN INVERSION TABLE**

7,118,518 B1 \* 10/2006 Teeter ..... A61H 1/0218  
482/144

(71) Applicant: **Donrobert Pena**, City of Industry, CA  
(US)

7,125,372 B1 10/2006 Teeter et al.  
D582,495 S \* 12/2008 Lindblad ..... D21/690  
(Continued)

(72) Inventor: **Donrobert Pena**, City of Industry, CA  
(US)

**OTHER PUBLICATIONS**

(\*\*) Term: **15 Years**

Exerpeutic 275SL by Paradigm dated no date given. Found online  
[Mar. 27, 2019] <https://www.paradigmhw.com/exerpeutic-275sl-inversion-table-with-the-ultra-safe-surelock-ratchet-ankle-locking-system/>.\*

(Continued)

(21) Appl. No.: **29/605,173**

(22) Filed: **May 24, 2017**

(51) **LOC (11) Cl.** ..... **21-02**

*Primary Examiner* — Ryan Harvey

(52) **U.S. Cl.**

(74) *Attorney, Agent, or Firm* — Kirk A. Buhler; Buhler & Associates

USPC ..... **D21/694**

(58) **Field of Classification Search**

(57) **CLAIM**

USPC ..... 482/145, 144, 143, 57, 72, 38; D21/690,  
D21/688, 694, 662, 686

The ornamental design for a pin cover for an inversion table,  
as shown and described.

CPC ..... A61H 2203/0493; A61H 1/0218; A61H  
2201/1642; A61H 1/0229; A61H 1/0292;  
A61H 2205/081; A61H 1/0222; A61H  
2201/1284; A61H 2201/1676

**DESCRIPTION**

See application file for complete search history.

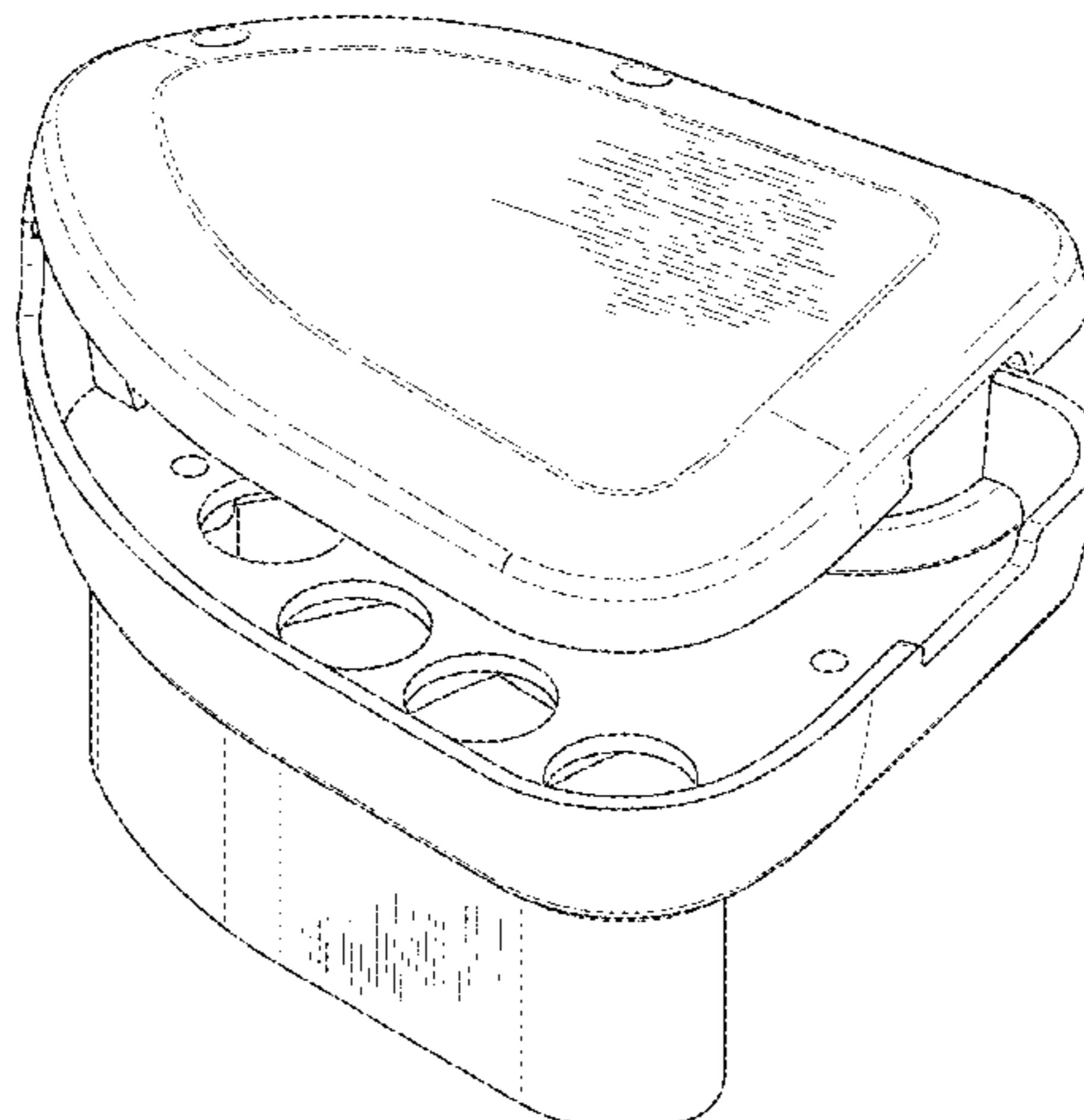
FIG. 1 is a bottom rear perspective view for a pin cover for  
an inversion table showing my new design;  
FIG. 2 is a top view thereof;  
FIG. 3 is a front view thereof;  
FIG. 3 is a left-side view thereof;  
FIG. 4 is a bottom view thereof;  
FIG. 5 is a right-side view thereof;  
FIG. 6 is a front view thereof;  
FIG. 7 is a rear view thereof;  
FIG. 8 is a sectional view taken along lines 8-8 from FIG.  
6 thereof;  
FIG. 9 is a sectional view taken along lines 9-9 from FIG.  
6 thereof;  
FIG. 10 is a bottom perspective view, thereof; and,  
FIG. 11 is a top, right-side perspective view shown in an  
environment of use.  
The broken line showing of an inversion table depicts  
environment and forms no part of the claim.

(56) **References Cited**

**U.S. PATENT DOCUMENTS**

D273,983 S	5/1984	McGowen	
4,494,532 A *	1/1985	Masuda	..... A63B 23/1227 482/144
4,531,731 A	7/1985	Law	
D280,116 S *	8/1985	McGowen	..... D21/688
D280,537 S *	9/1985	Law	..... D21/688
4,717,148 A *	1/1988	Brewer	..... A61H 1/0218 482/144
4,867,143 A *	9/1989	Morin	..... A61H 1/0218 606/244
5,102,121 A	4/1992	Solow et al.	
6,149,560 A *	11/2000	Kim	..... A63B 23/0211 482/143
6,679,818 B2	1/2004	Hsien	
7,112,167 B2	9/2006	Kim	

**1 Claim, 8 Drawing Sheets**



(56)

References Cited

U.S. PATENT DOCUMENTS

7,625,327 B1 \* 12/2009 Teeter ..... A61H 1/0218  
482/144  
7,699,763 B2 \* 4/2010 Perry, Jr. .... A61H 1/0218  
482/142  
D617,855 S 6/2010 Leier et al.  
7,857,741 B1 \* 12/2010 Hsiung ..... A61H 1/0218  
482/143  
7,867,154 B2 1/2011 Teeter et al.  
7,896,790 B1 \* 3/2011 Wei ..... A61H 1/0218  
482/144  
8,056,979 B2 \* 11/2011 McBride ..... A47C 1/02  
297/326  
D650,025 S 12/2011 Leier et al.  
D650,026 S 12/2011 Leier et al.  
8,932,192 B2 1/2015 Wei  
9,526,667 B1 12/2016 Wang  
D806,810 S \* 1/2018 Chen ..... D21/690  
2008/0261790 A1 \* 10/2008 Chen ..... A61H 1/0218  
482/144  
2008/0261791 A1 \* 10/2008 Chen ..... A61H 1/0218  
482/144  
2009/0124473 A1 \* 5/2009 Teeter ..... A61H 1/0218  
482/144  
2010/0279838 A1 11/2010 Teeter et al.

2011/0256993 A1 \* 10/2011 Wei ..... A61H 1/0218  
482/144  
2013/0059705 A1 \* 3/2013 Leier ..... A61H 1/0222  
482/144  
2013/0079204 A1 \* 3/2013 Wang ..... A61H 1/0222  
482/144  
2015/0240892 A1 \* 8/2015 Wei ..... F16D 55/225  
188/72.9  
2017/0119612 A1 \* 5/2017 Wang ..... A61H 1/001  
2018/0338879 A1 \* 11/2018 Hsieh ..... A61H 1/0229  
2018/0338882 A1 \* 11/2018 Pena ..... A61H 1/0292

OTHER PUBLICATIONS

Exerpeutic 475SL by Paradigm dated no date given. Found online  
[Mar. 27, 2019] <https://www.paradigmhw.com/exerpeutic-475sl-inversion-table-with-airsoft-no-pinch-ankle-holders-and-surelock-safety-ratchet-system/>. \*  
Exerpeutic 575SL by Exerpuetic dated no date given. Found online  
[Mar. 27, 2019] [https://www.amazon.com/dp/B07MCHQXHF/ref=sspa\\_dk\\_detail\\_1?psc=1&pd\\_rd\\_i=B07MCHQXHF&pd\\_rd\\_w=BzSCp&pf\\_rd\\_p=80559f3c-f83b-49c1-8a72-40f936e9df7a&pd\\_rd\\_wg=fg2Wu&pf\\_rd\\_r=W832CM5AFPW4PEWG6V7Z&pd\\_rd\\_r=0afa44d6-50e4-11e9-9ab0](https://www.amazon.com/dp/B07MCHQXHF/ref=sspa_dk_detail_1?psc=1&pd_rd_i=B07MCHQXHF&pd_rd_w=BzSCp&pf_rd_p=80559f3c-f83b-49c1-8a72-40f936e9df7a&pd_rd_wg=fg2Wu&pf_rd_r=W832CM5AFPW4PEWG6V7Z&pd_rd_r=0afa44d6-50e4-11e9-9ab0). \*

\* cited by examiner

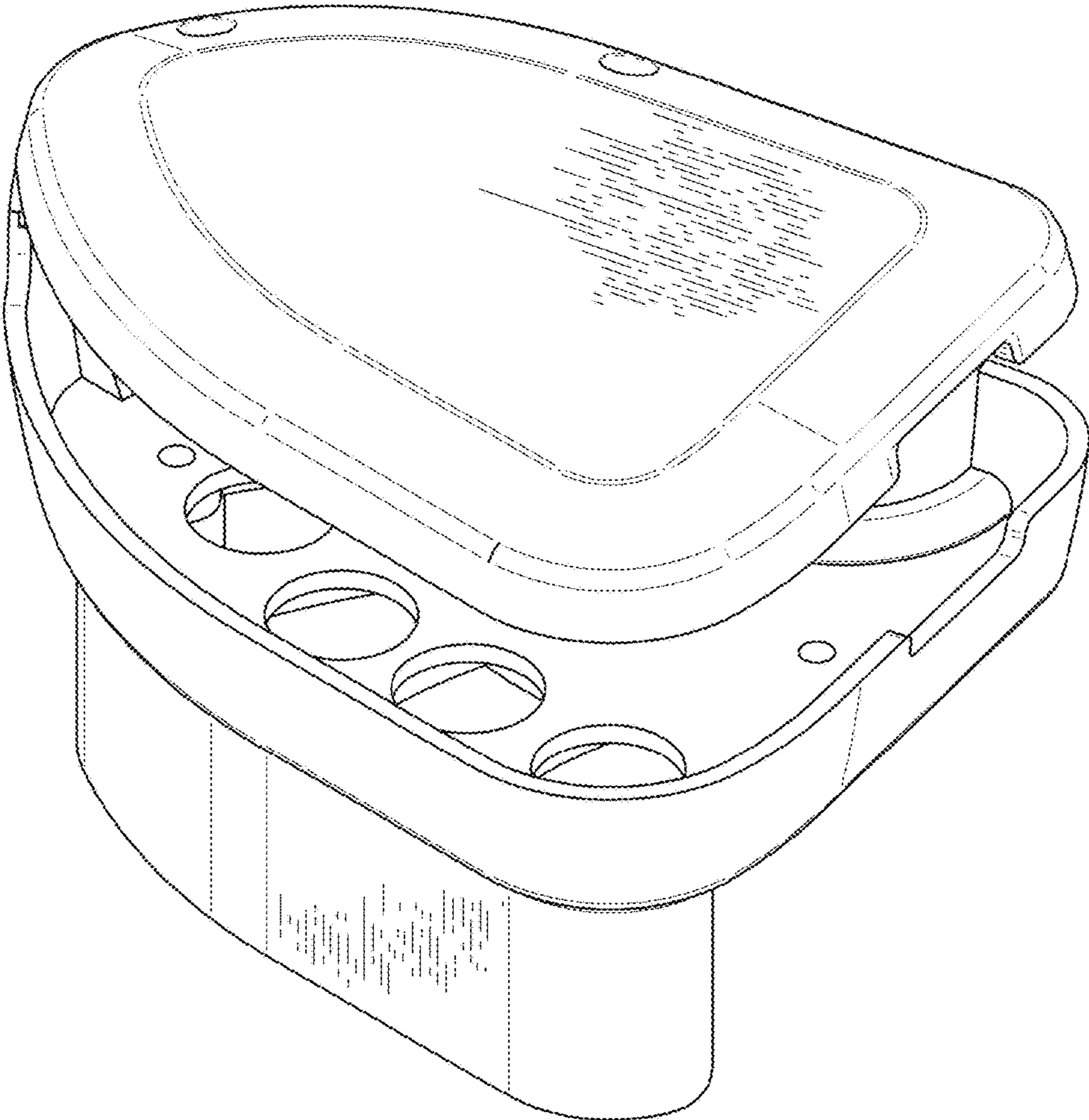
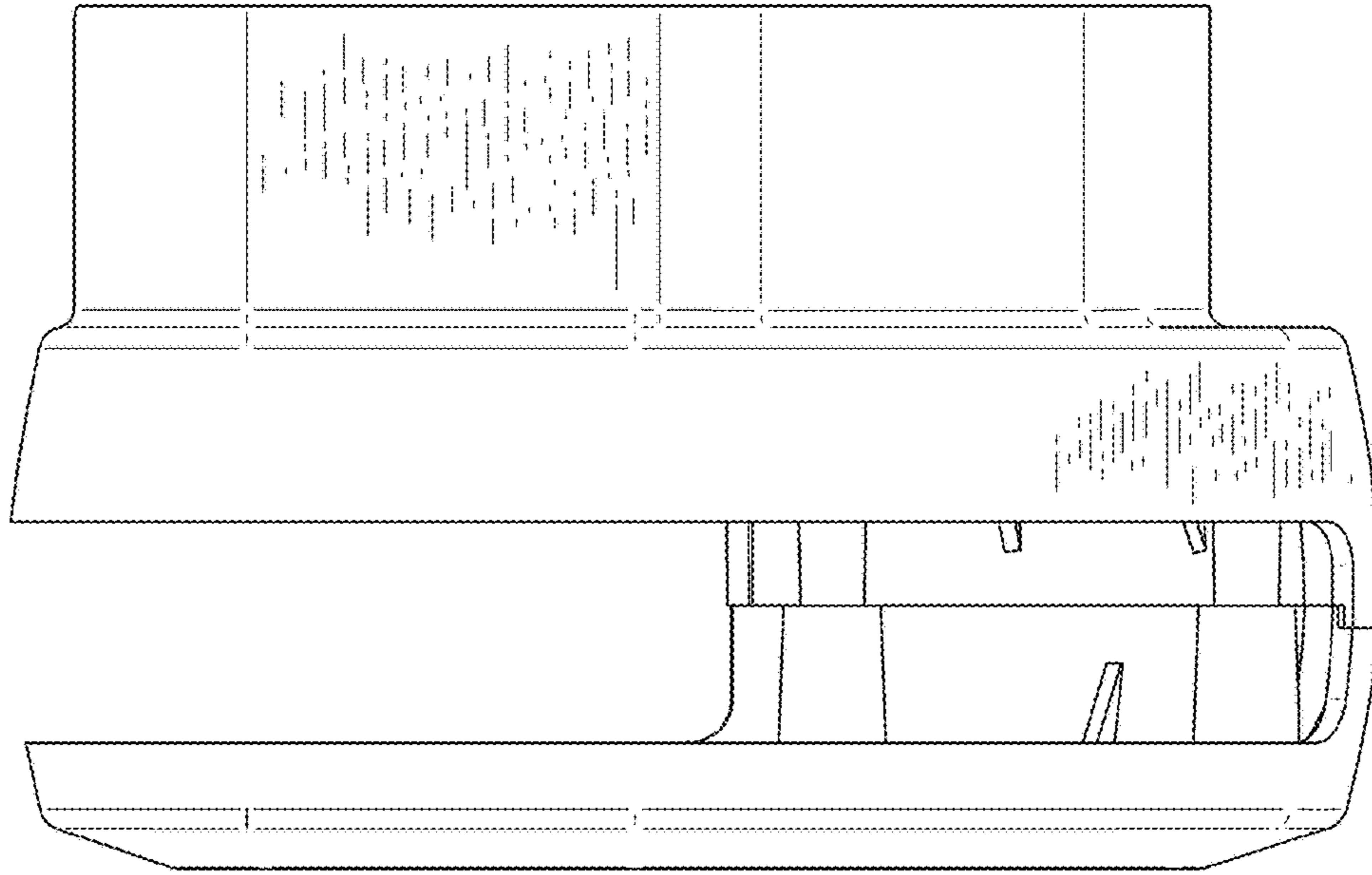
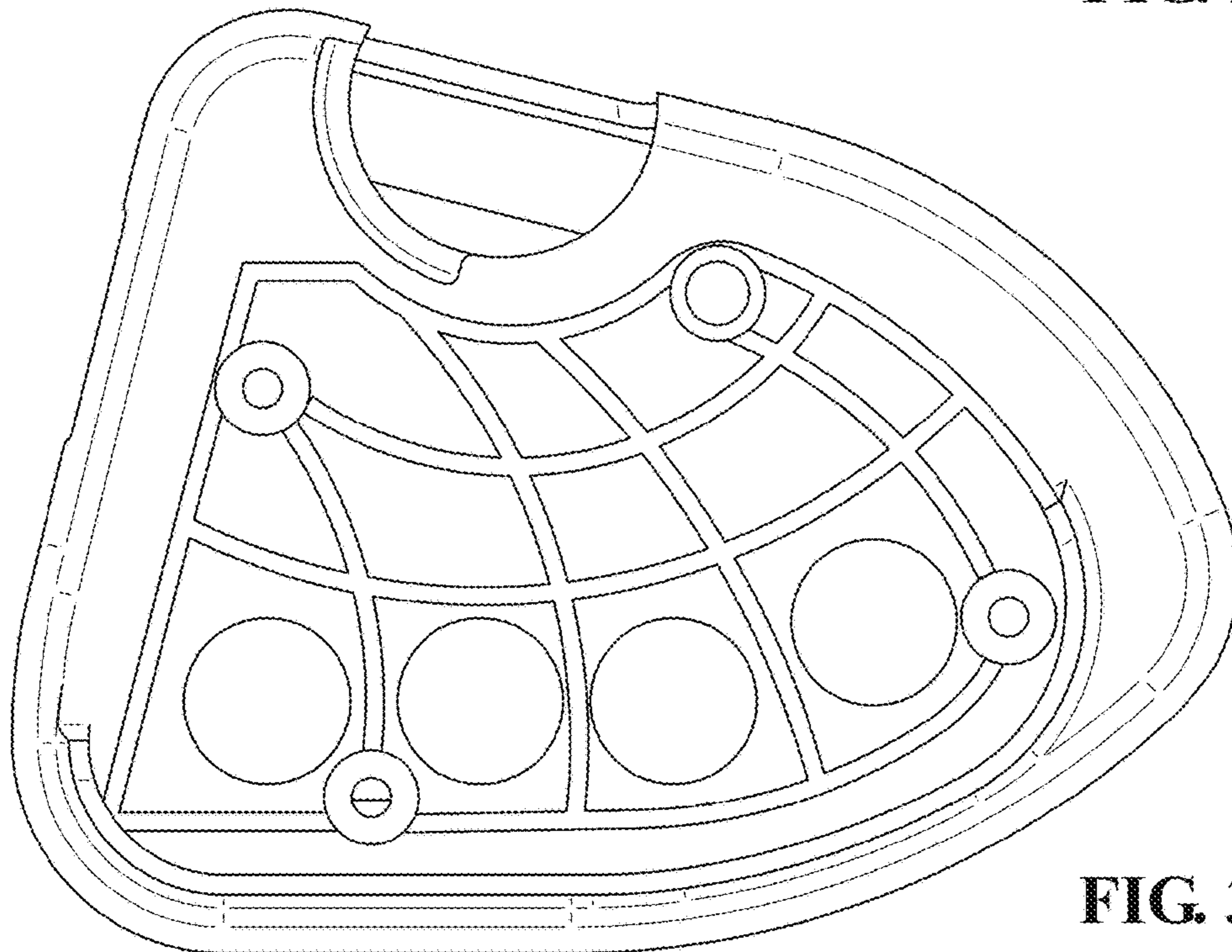


FIG. 1



**FIG. 2**



**FIG. 3**

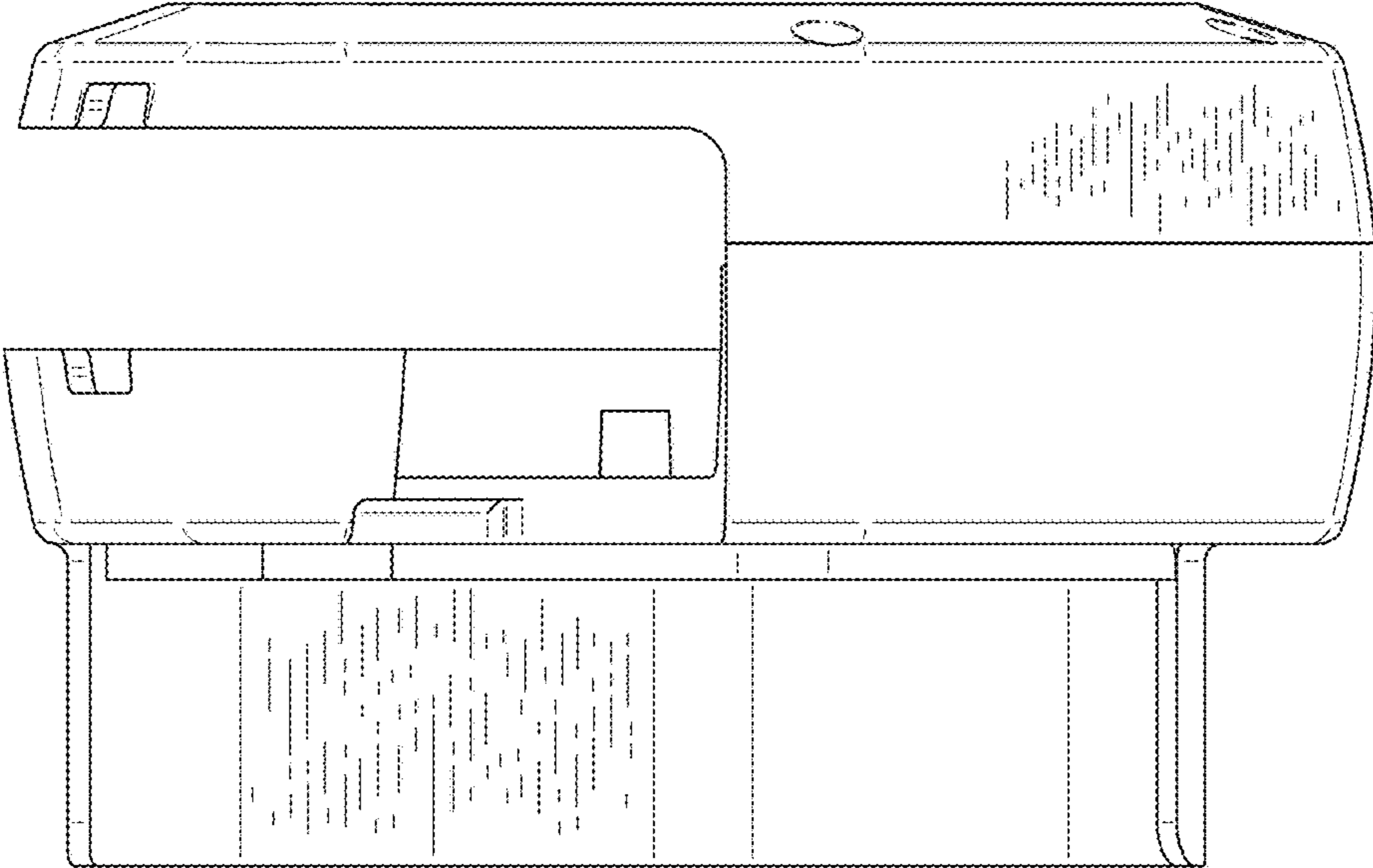


FIG. 4

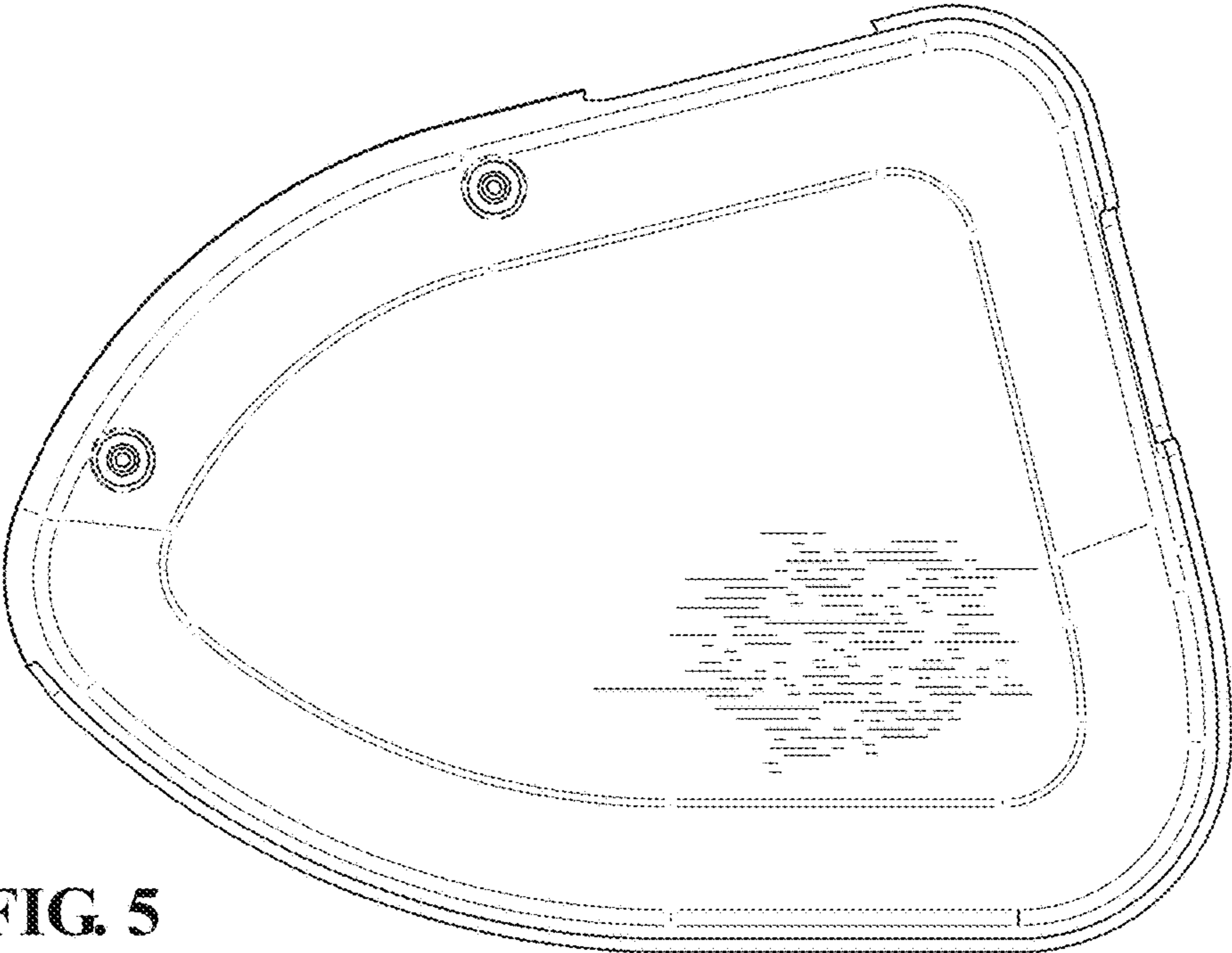


FIG. 5

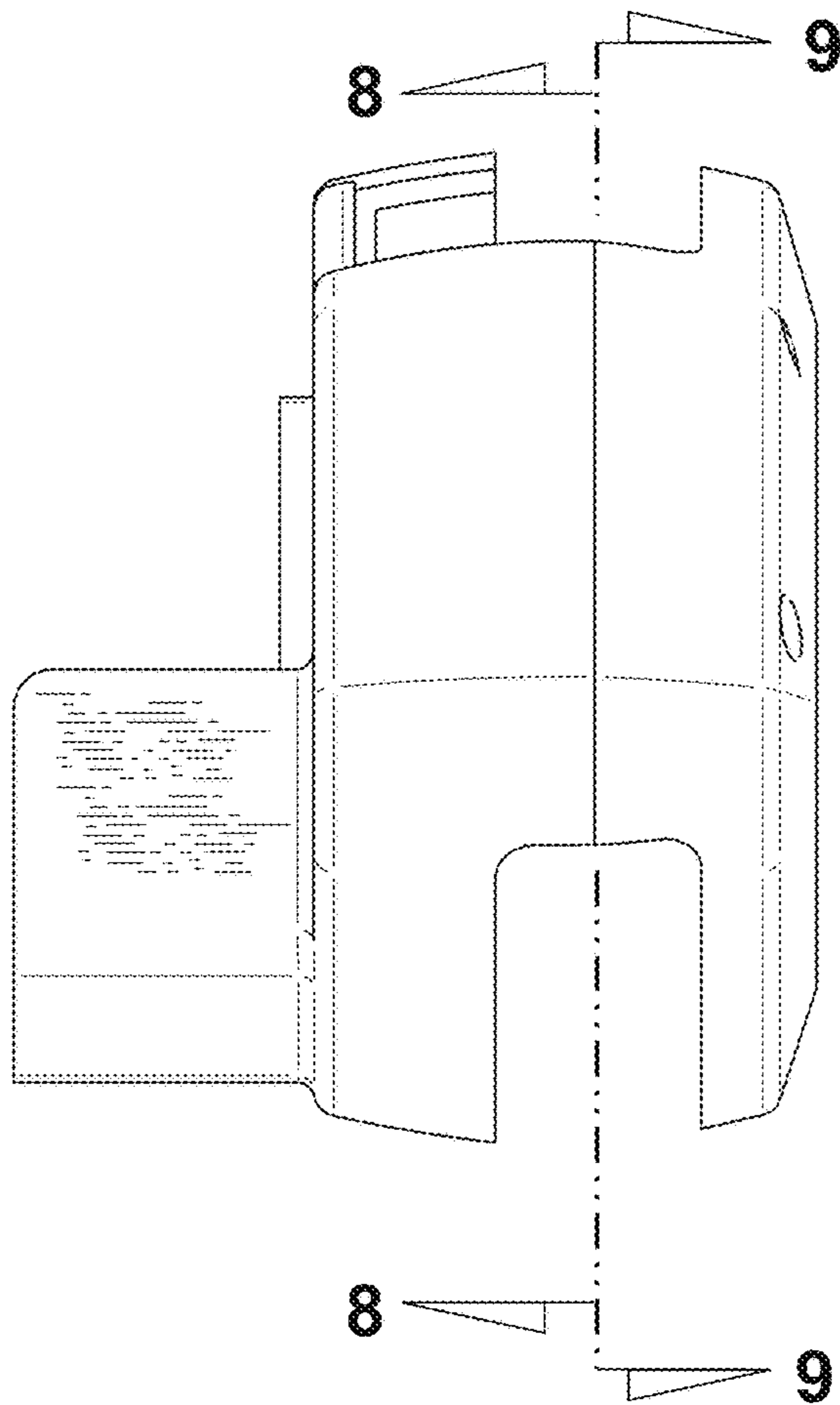


FIG. 6

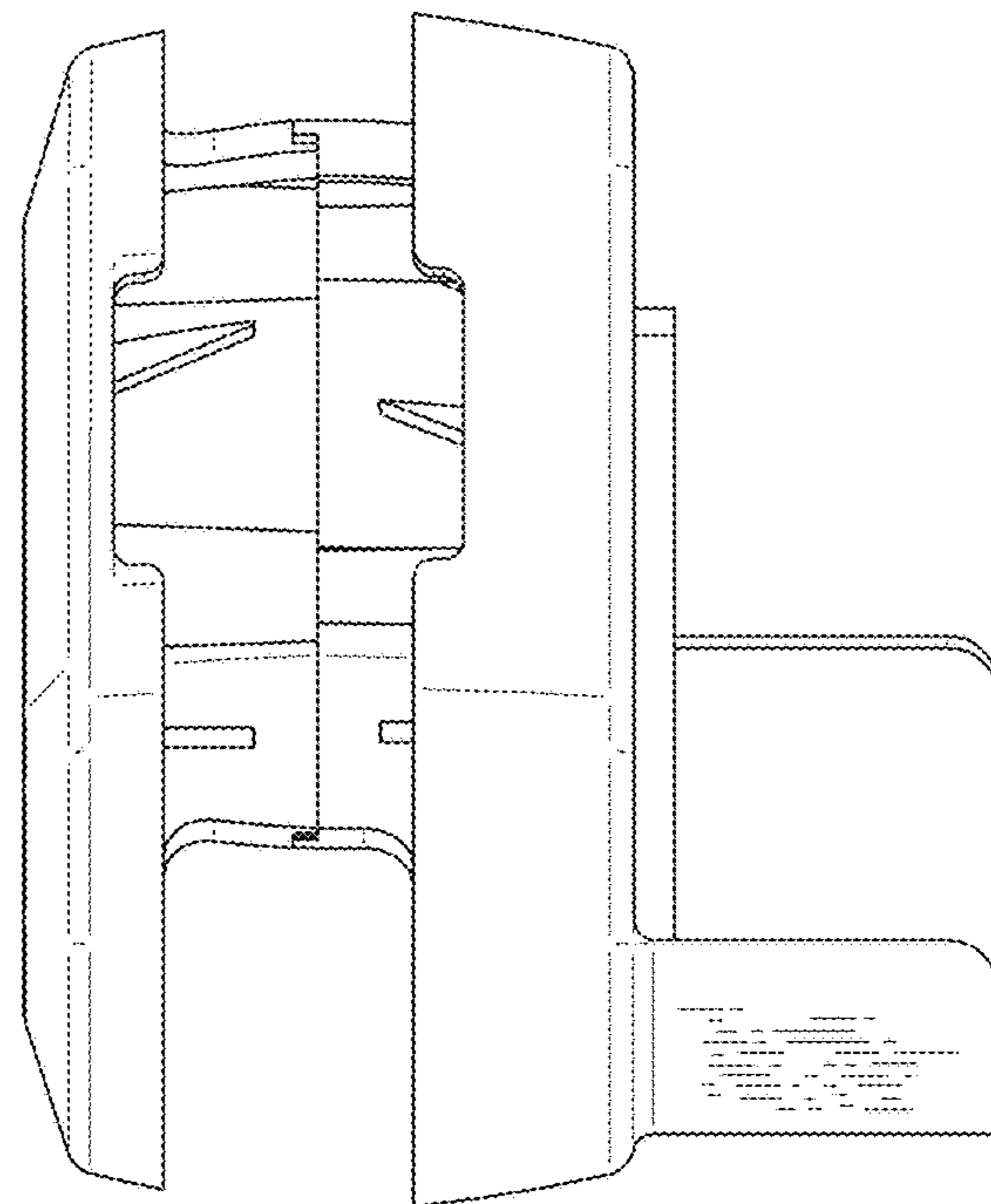


FIG. 7

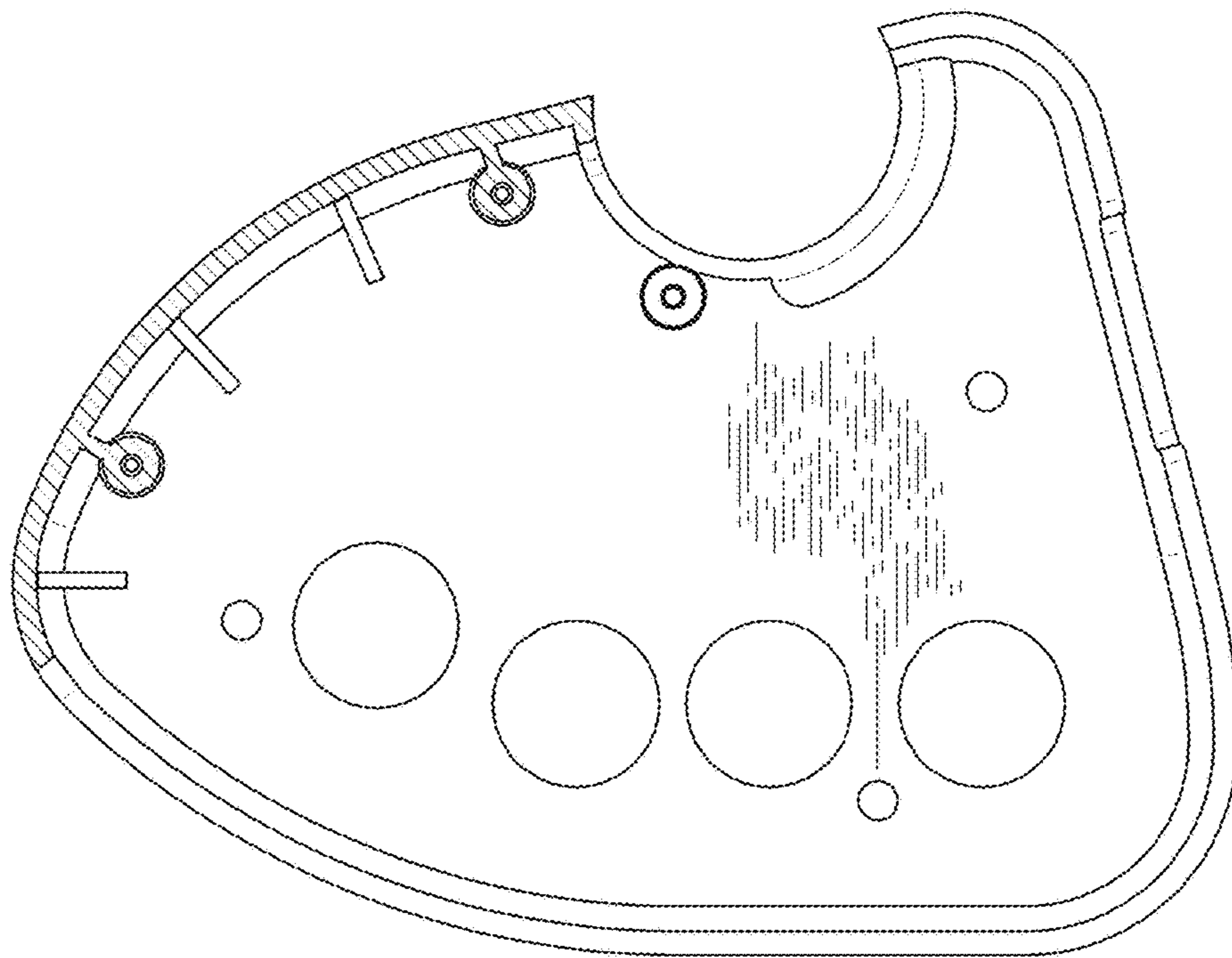
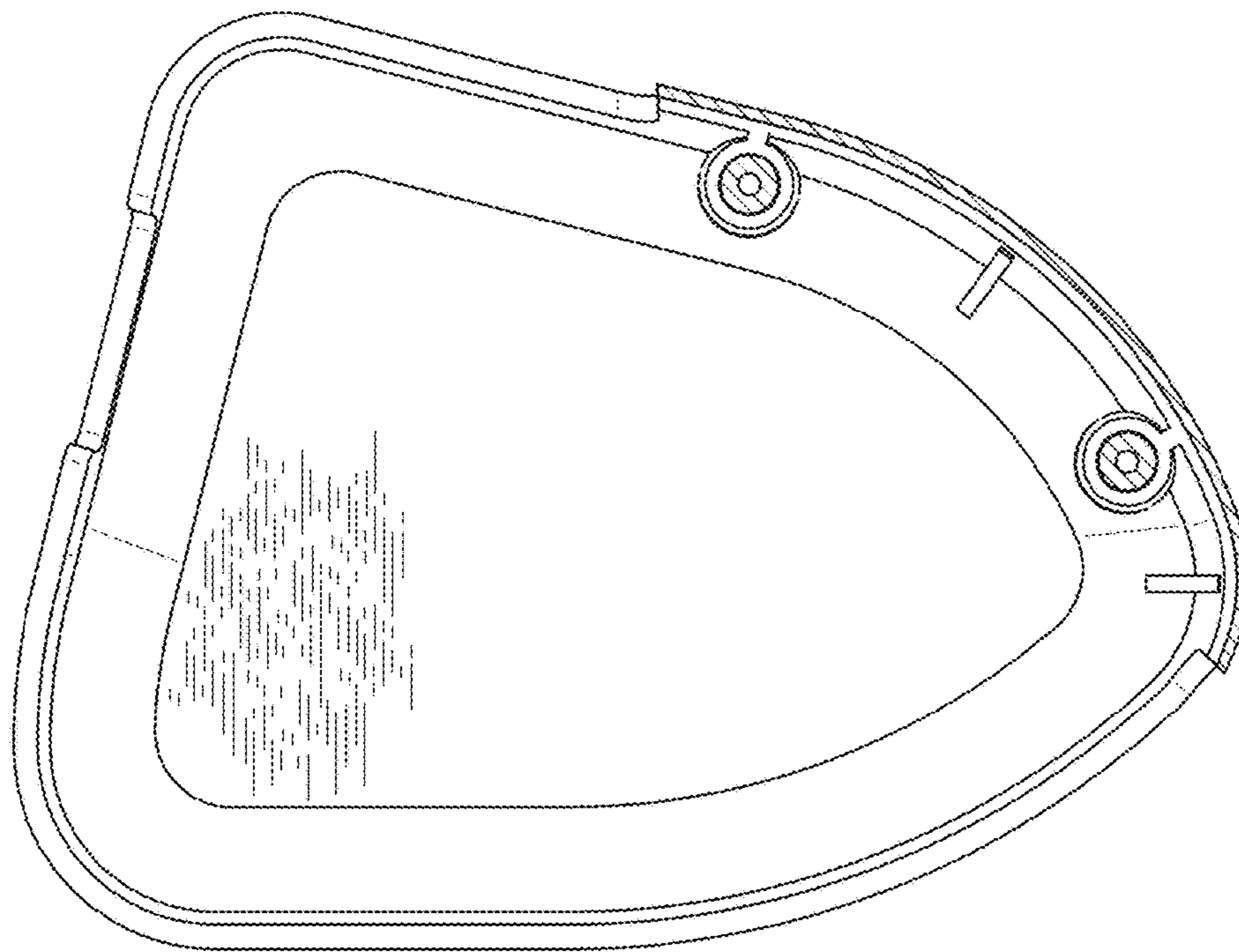


FIG. 8



**FIG. 9**



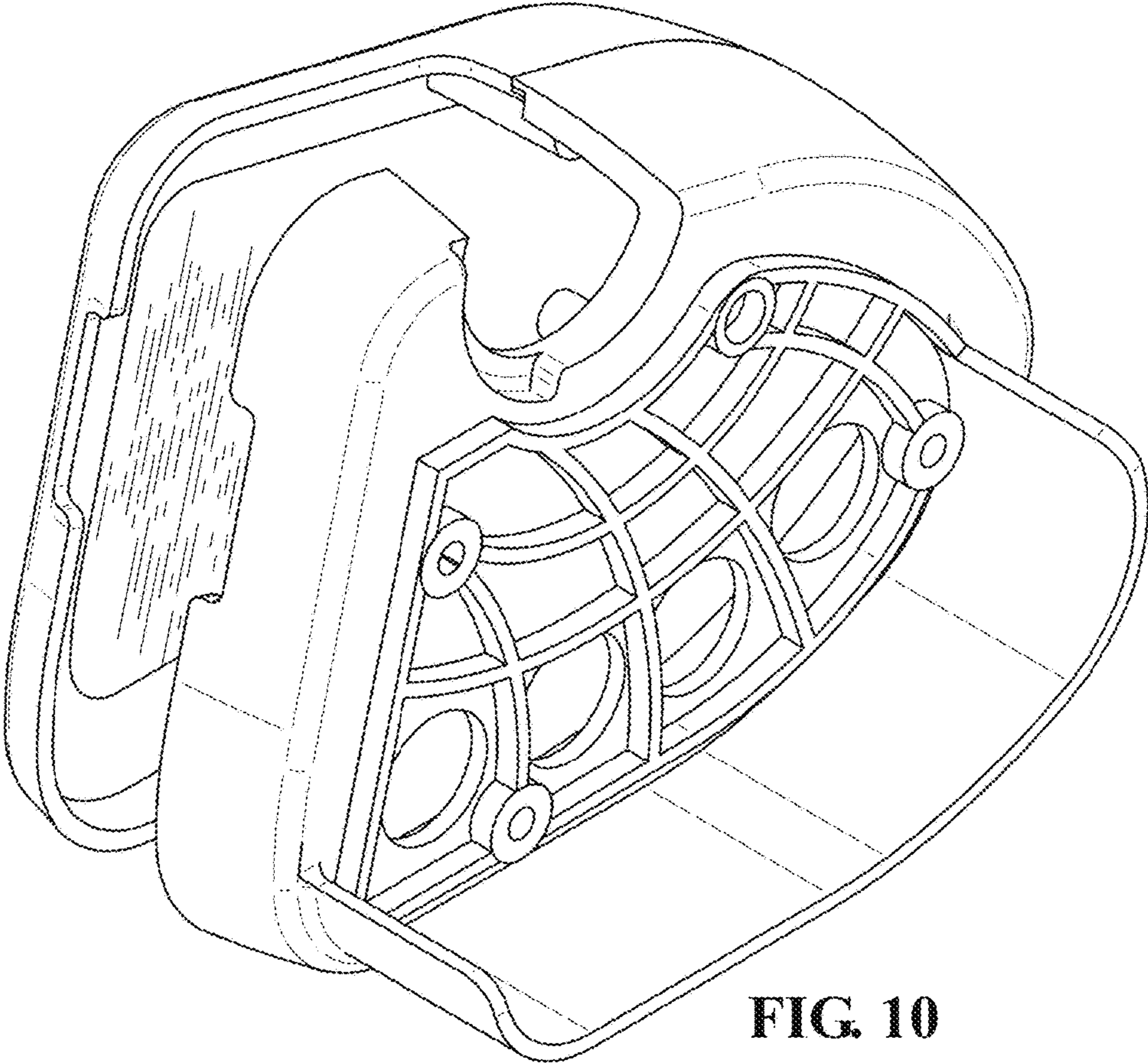
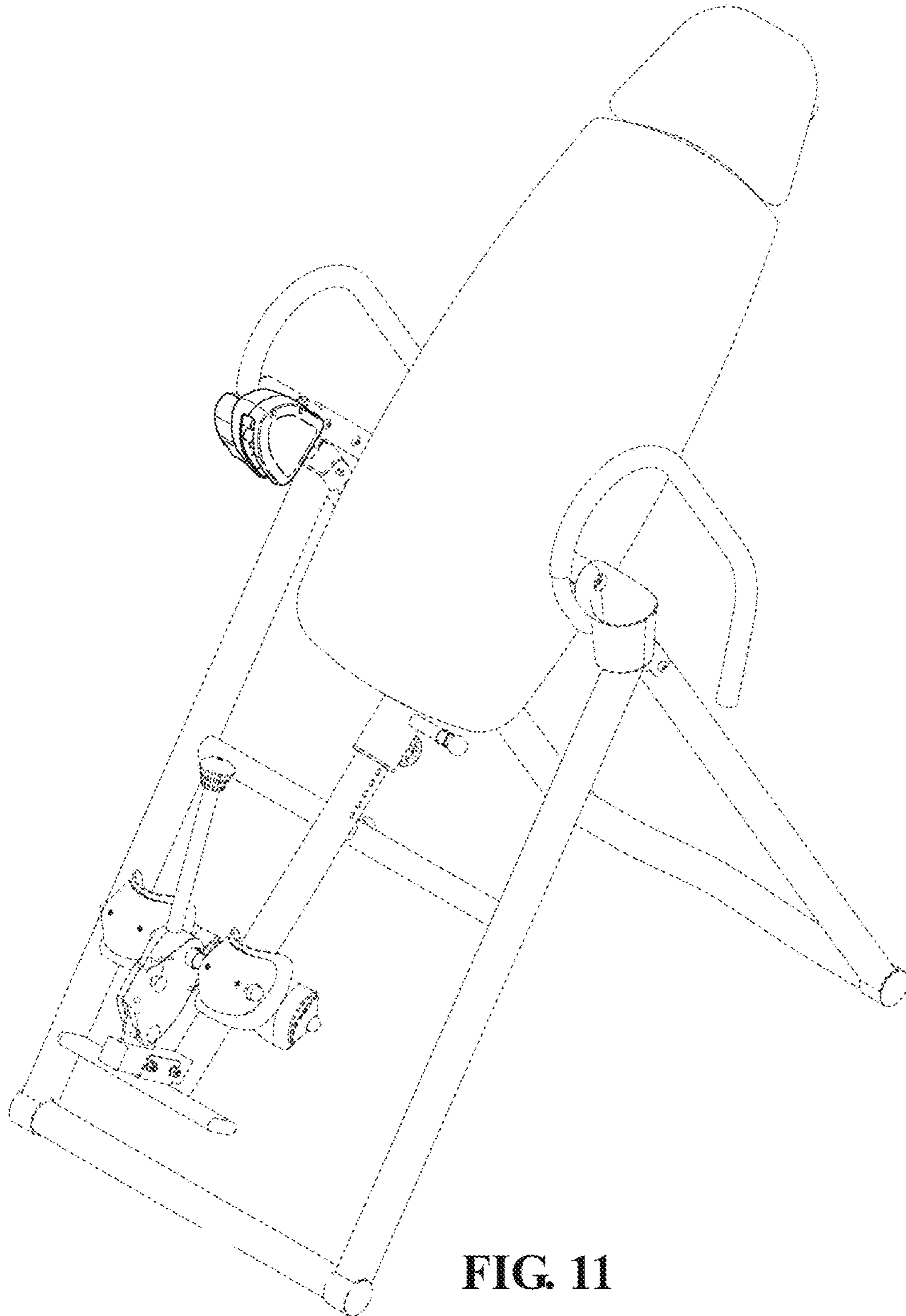


FIG. 10



**FIG. 11**