



US00D852907S

(12) **United States Design Patent**
Sergakis

(10) **Patent No.:** **US D852,907 S**

(45) **Date of Patent:** **** Jul. 2, 2019**

- (54) **FITNESS RIG**
- (71) Applicant: **Coulter Ventures LLC**, Columbus, OH (US)
- (72) Inventor: **Emmanuel Sergakis**, Plain City, OH (US)
- (73) Assignee: **Coulter Ventures, LLC**, Columbus, OH (US)

- 5,395,296 A * 3/1995 Webster A63B 21/04
482/130
 - 5,928,119 A * 7/1999 Dinkel A63B 21/00047
482/141
 - D629,472 S * 12/2010 Rhodes D21/675
 - D636,038 S * 4/2011 Henniger D21/691
 - D636,040 S * 4/2011 Henniger D21/691
 - 8,016,686 B2* 9/2011 Liggett A63G 33/00
182/36
 - D664,622 S * 7/2012 Orsulak D21/686
 - D664,624 S * 7/2012 Orsulak D21/826
- (Continued)

(**) Term: **15 Years**

(21) Appl. No.: **29/645,376**

(22) Filed: **Apr. 25, 2018**

(51) **LOC (11) Cl.** **21-02**

(52) **U.S. Cl.**
USPC **D21/686**

(58) **Field of Classification Search**
USPC D6/656.1, 552, 549, 548; D21/827, 826,
D21/797, 694, 691, 690, 686, 679, 673,
D21/665, 662; 482/96, 95, 94, 93, 92,
482/87, 8, 77, 41, 40, 38, 36, 35, 2, 148,
482/147, 144, 142, 141, 140, 135, 133,
482/132, 130, 128, 104, 101; 472/136,
472/118
CPC A63B 21/4035; A63B 21/0552; A63B
23/0211; A63B 2210/50; A63B 21/4047;
A63B 23/12; A63B 21/068; A63B
21/154; A63B 2208/0204; A63B 23/1236;
A63B 21/00047; A63B 23/1218; A63B
23/1227; A63B 1/00
See application file for complete search history.

(56) **References Cited**

U.S. PATENT DOCUMENTS

- 4,666,154 A * 5/1987 Lipscomb A63B 21/00047
482/142
- 5,372,556 A * 12/1994 Ropp A63B 21/0615
482/133

OTHER PUBLICATIONS

Product listing for Monster Lite Monkey Rig 2.0 from <https://web.archive.org/web/20161202195146/http://www.roguefitness.com/rogue-monster-lite-monkey-rig-2-0>, dated Dec. 2, 2016.

(Continued)

Primary Examiner — Ryan Harvey

(74) *Attorney, Agent, or Firm* — Banner & Witcoff, Ltd.

(57) **CLAIM**

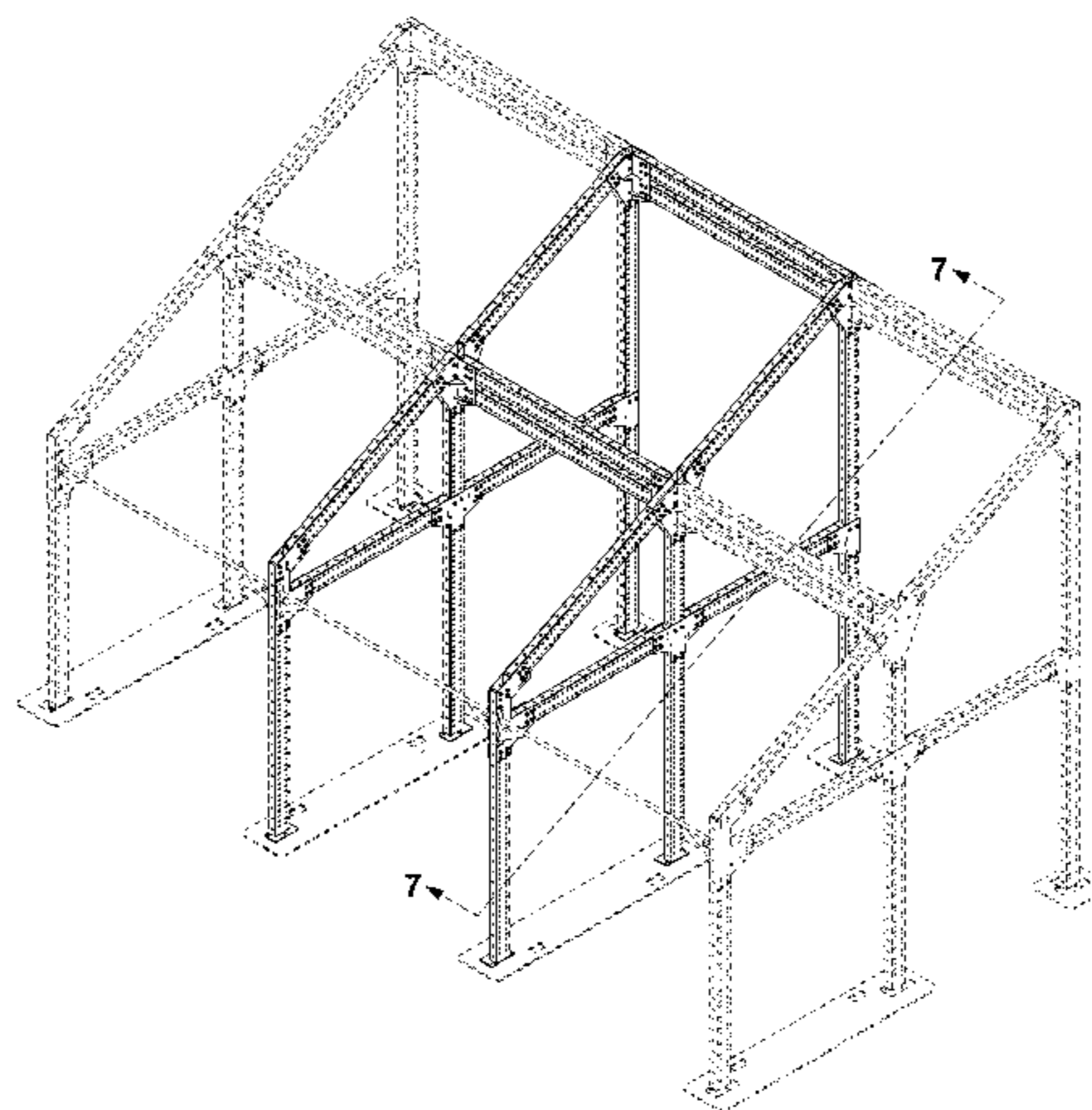
The ornamental design for a fitness rig, as shown and described.

DESCRIPTION

FIG. 1 is a top, front, right perspective view of a fitness rig showing my new design;
FIG. 2 is a top, front, left perspective view thereof;
FIG. 3 is a front view thereof;
FIG. 4 is a rear view thereof;
FIG. 5 is a right side view thereof;
FIG. 6 is a left side view thereof;
FIG. 7 is a cross-sectional view at 7-7 in FIG. 1 thereof;
FIG. 8 is a cross-sectional view at 8-8 in FIG. 2 thereof; and,
FIG. 9 is a top view thereof.

The broken lines depicting the remainder of the fitness rig show features that form no part of the claimed design.

1 Claim, 9 Drawing Sheets



(56)

References Cited

U.S. PATENT DOCUMENTS

D697,988	S *	1/2014	Januszek	D21/686
D698,402	S *	1/2014	Saletta	D21/686
D699,805	S *	2/2014	Green	D21/818
D742,979	S *	11/2015	Post	D21/686
D762,789	S *	8/2016	Gilchrist	D21/686
D767,693	S *	9/2016	Kuka	D21/686
D788,945	S *	6/2017	Meyer	D25/63
D794,144	S *	8/2017	Abelbeck	D21/686
D836,172	S *	12/2018	Kuka	D21/686
2007/0032357	A1 *	2/2007	Piane, Jr.	A63B 1/00 482/142
2012/0142506	A1 *	6/2012	Hetrick	A63B 23/1218 482/142
2012/0329613	A1 *	12/2012	Schiano	A63B 21/078 482/94
2014/0014604	A1 *	1/2014	de Moraes Correia	A63B 71/0622 211/85.7
2014/0274563	A1 *	9/2014	Sheta	A63B 71/0619 482/2
2015/0059257	A1 *	3/2015	Beaver	A63B 17/00 52/27
2015/0065316	A1 *	3/2015	Towley, III	A63B 21/00047 482/104
2017/0080276	A1 *	3/2017	Lopes Rodrigues	A63B 21/4035

OTHER PUBLICATIONS

Product listing for Rogue Echo Rig from <https://web.archive.org/web/20160518084653/http://www.roguefitness.com/echo-rig>, dated May 18, 2016.

Product listing for Rogue Monster Lite Rig 2.0 from <https://web.archive.org/web/20160511215330/http://www.roguefitness.com/monster-lite-rig-2-0>, dated May 11, 2016.

Product listing for Rogue Monster Rig 2.0 from <https://web.archive.org/web/20160511213413/http://www.roguefitness.com/monster-rig-2-0>, dated May 11, 2016.

Product listing for Rogue Infinity Rig from <https://web.archive.org/web/20160518082947/http://www.roguefitness.com/infinity-rig>, dated May 18, 2016.

Product listing for Rogue Monster Rig from <https://web.archive.org/web/20160317072250/http://www.roguefitness.com/monster-rig>, dated Mar. 17, 2016.

Photos of Rogue Regional Rig, known to be publicly disclosed prior to Apr. 25, 2017.

Photo of Rogue Regional Rig from <https://twitter.com/roguefitness/status/865599795754180608>, dated May 19, 2017.

* cited by examiner

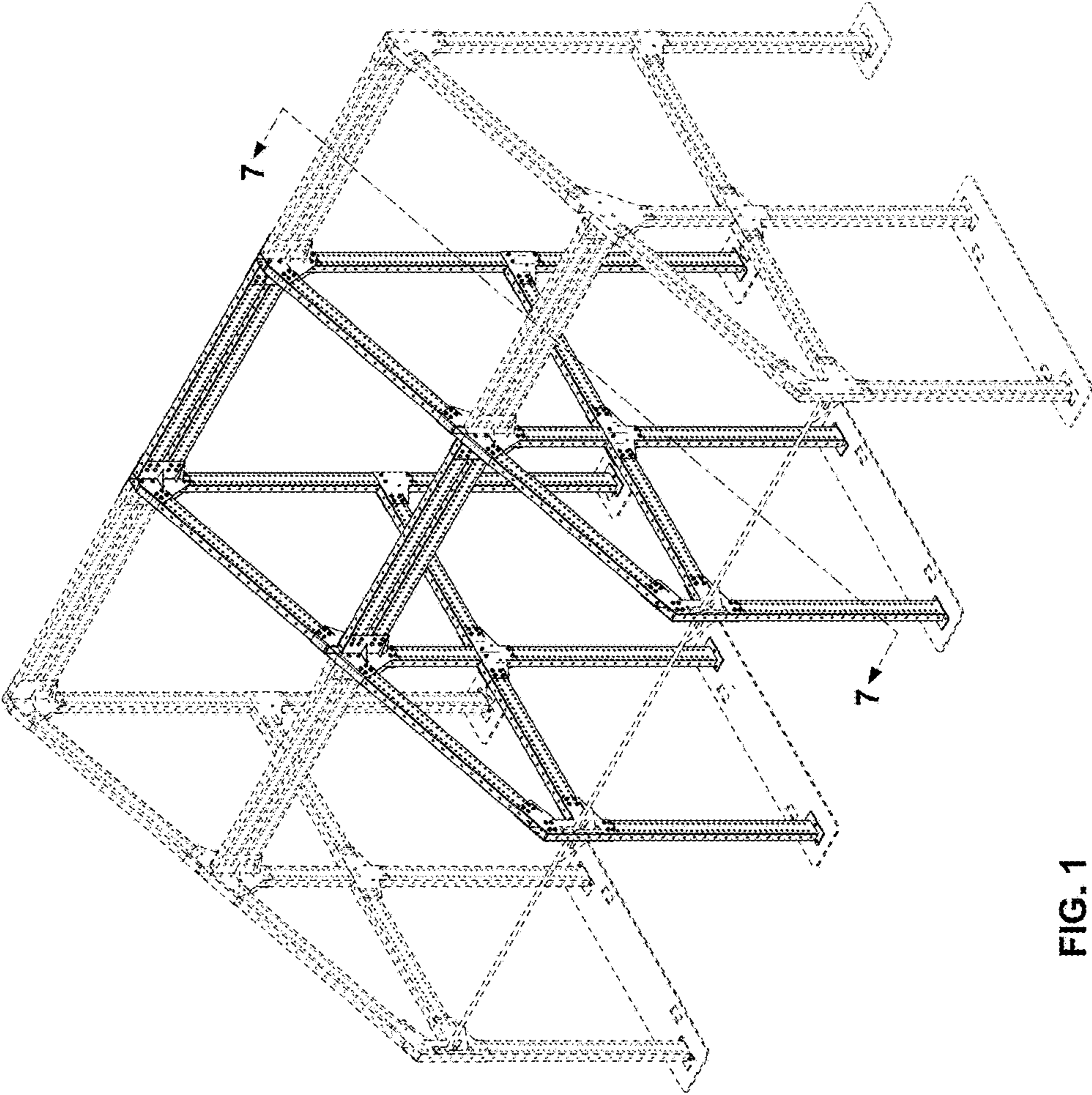


FIG. 1

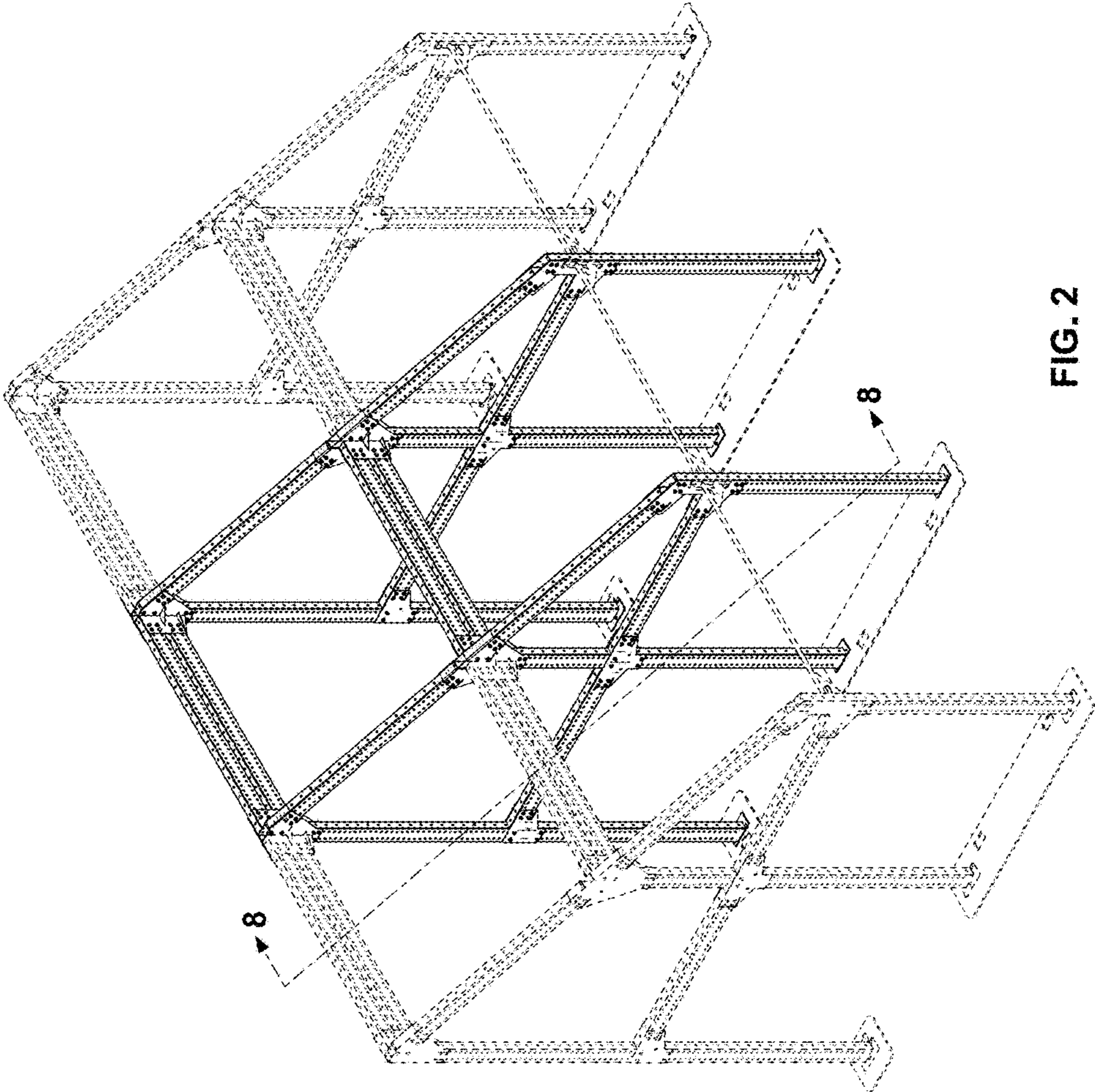


FIG. 2

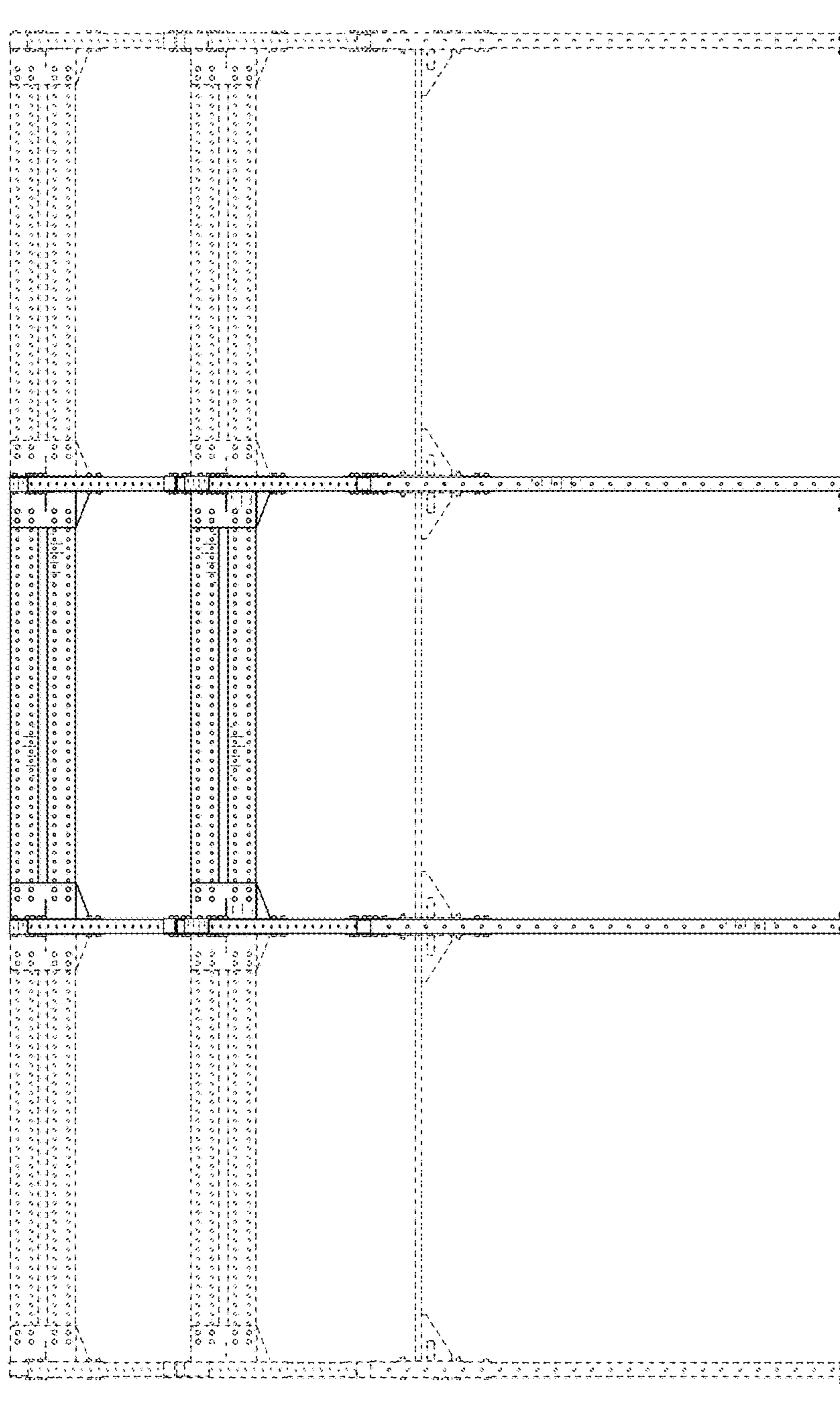


FIG. 3

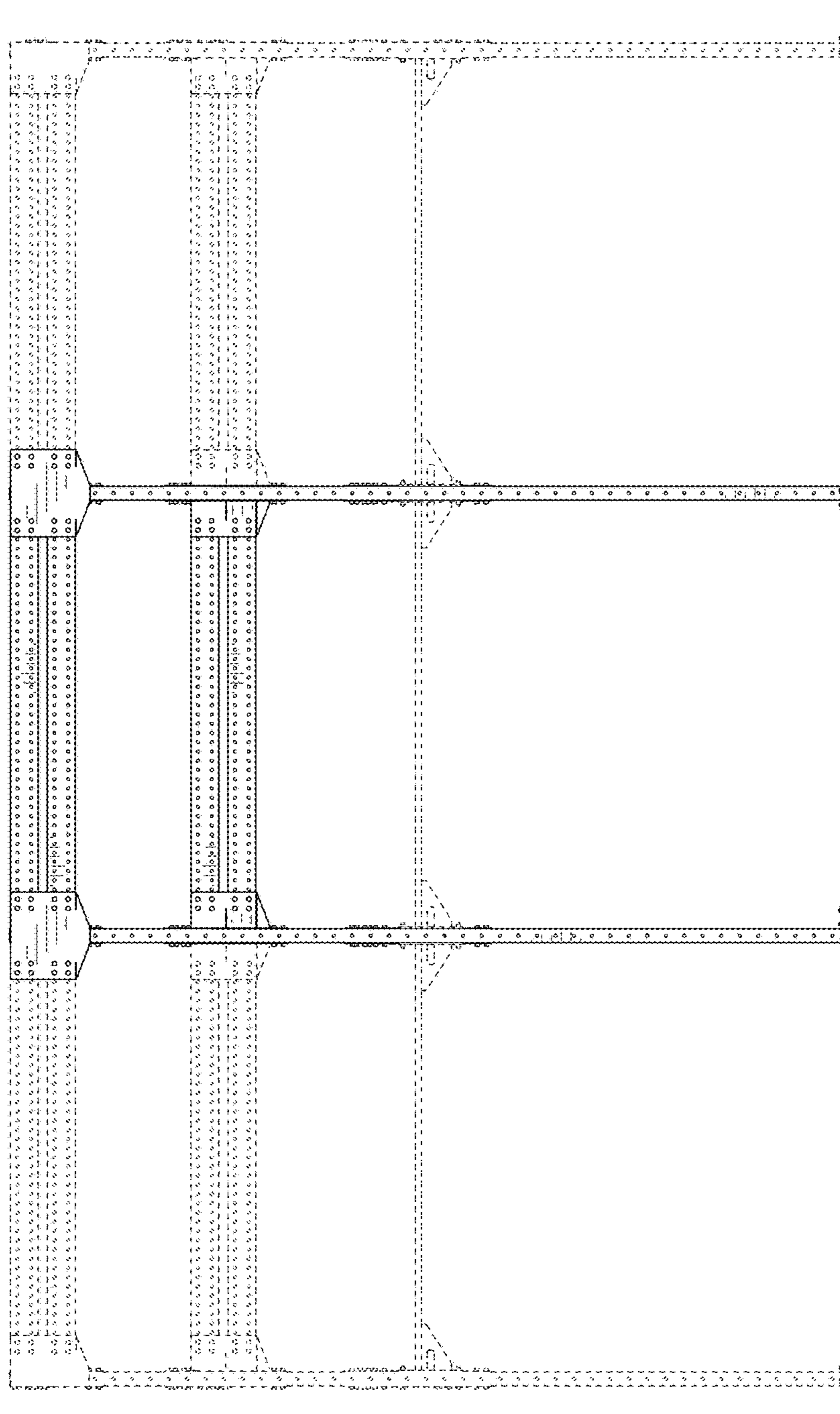


FIG. 4

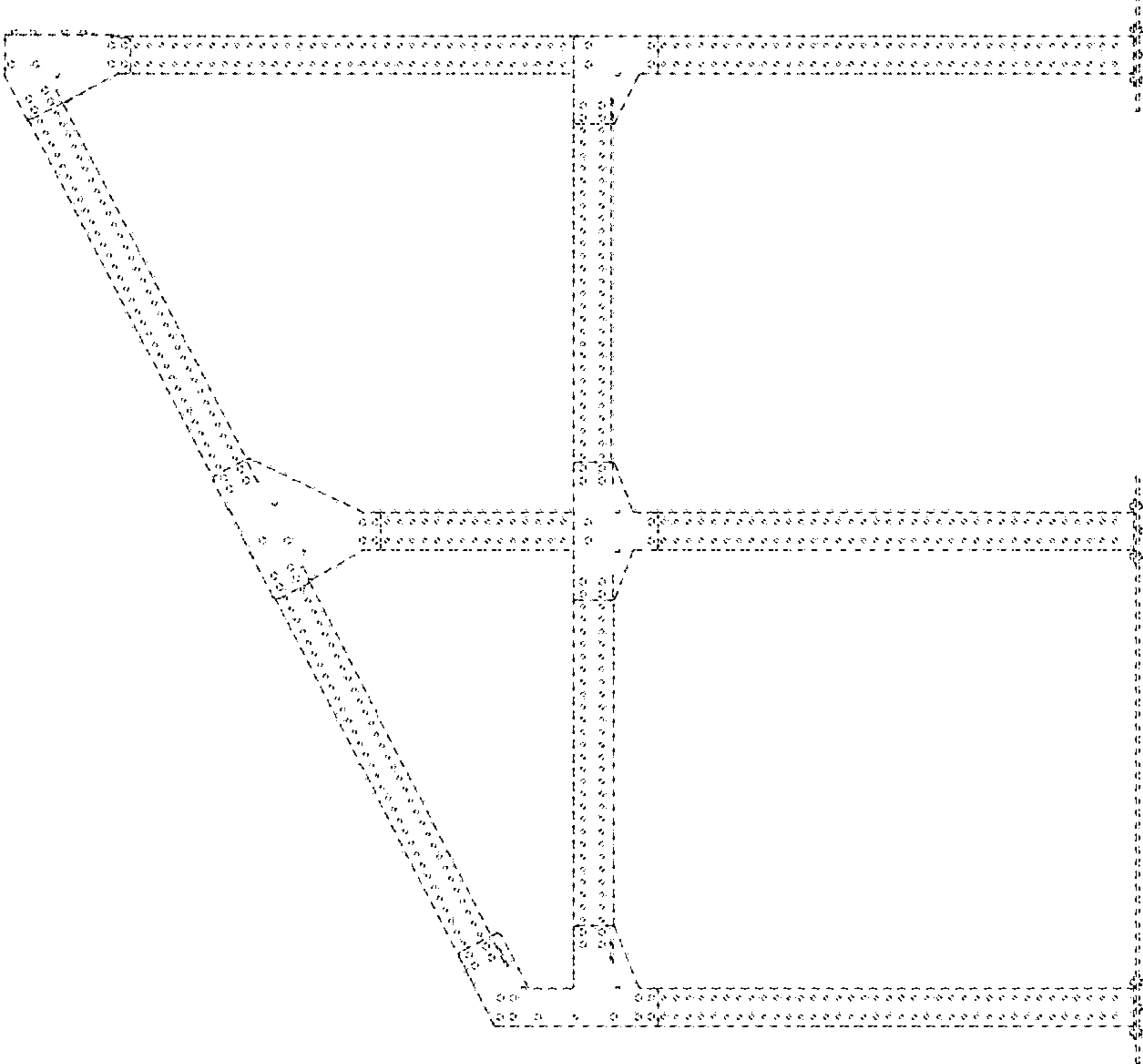


FIG. 5

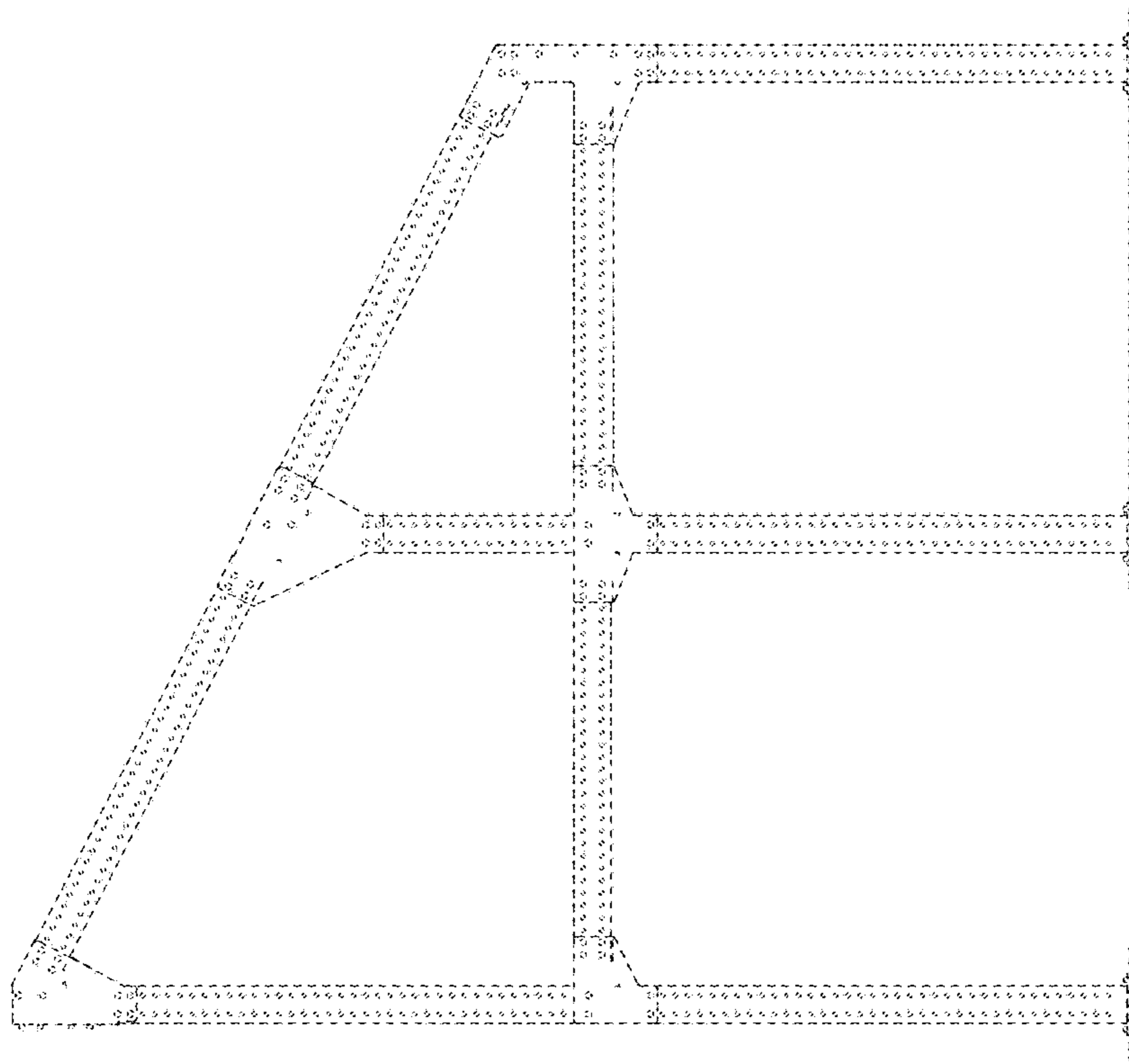


FIG. 6

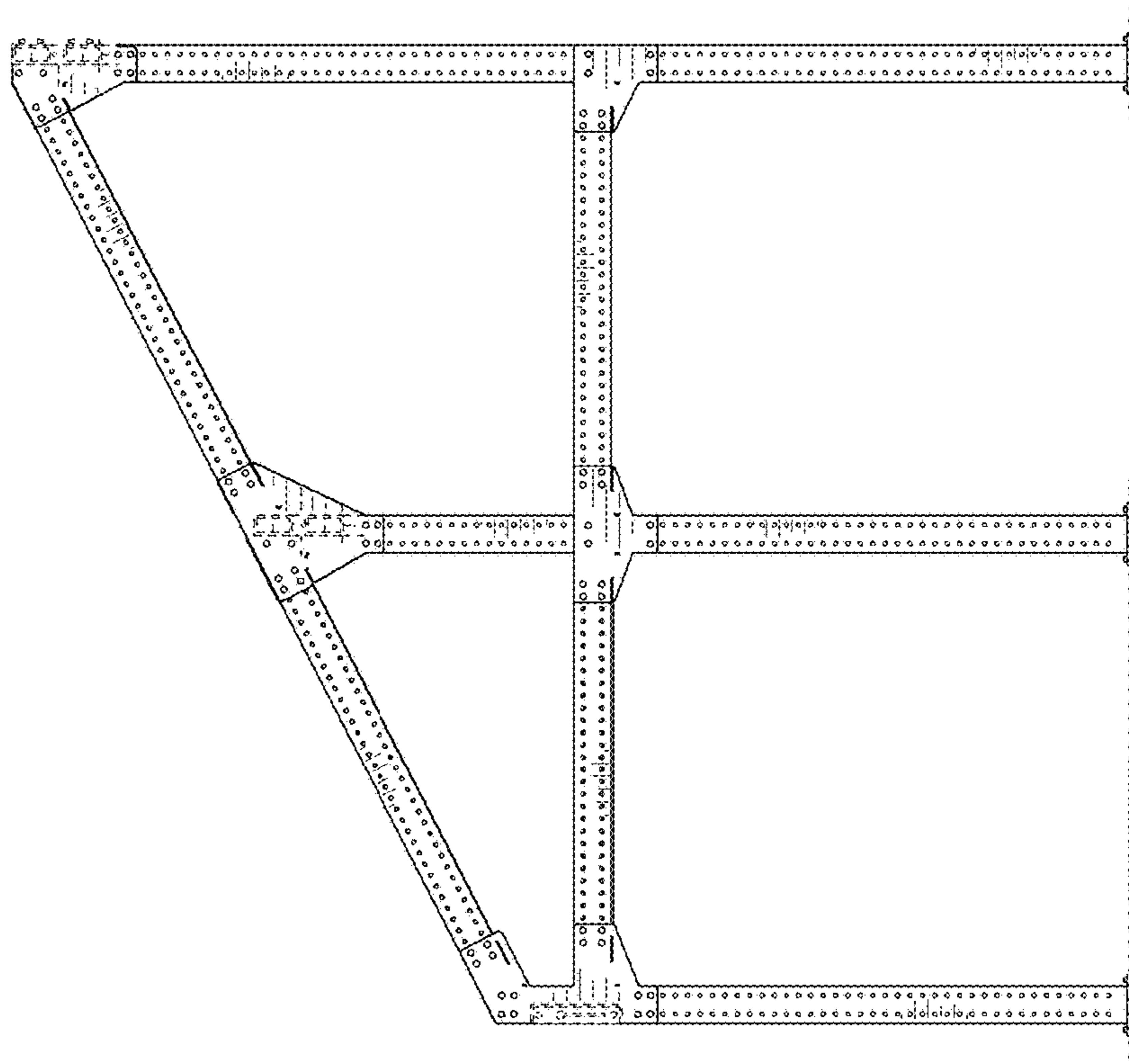


FIG. 7

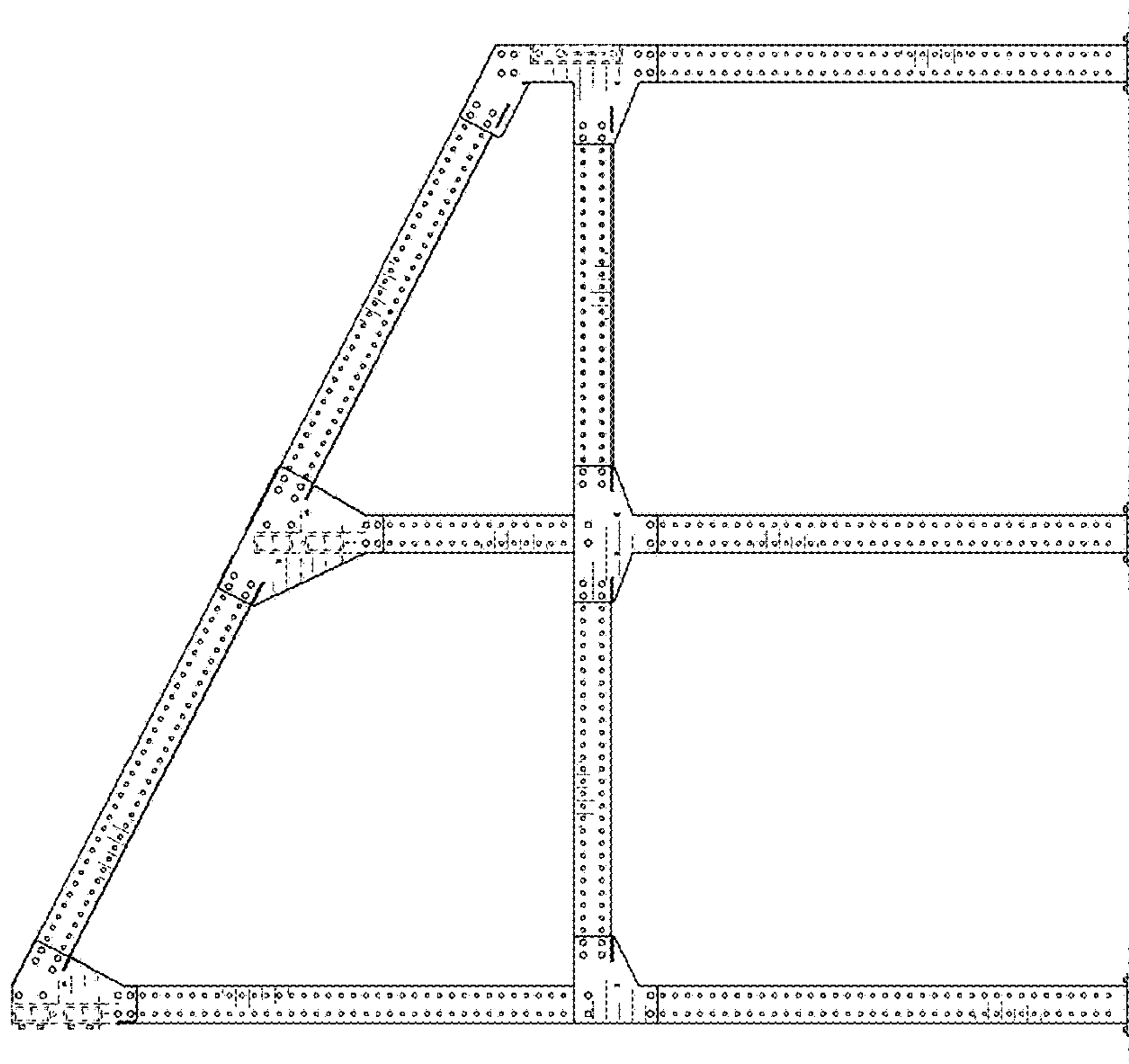


FIG. 8

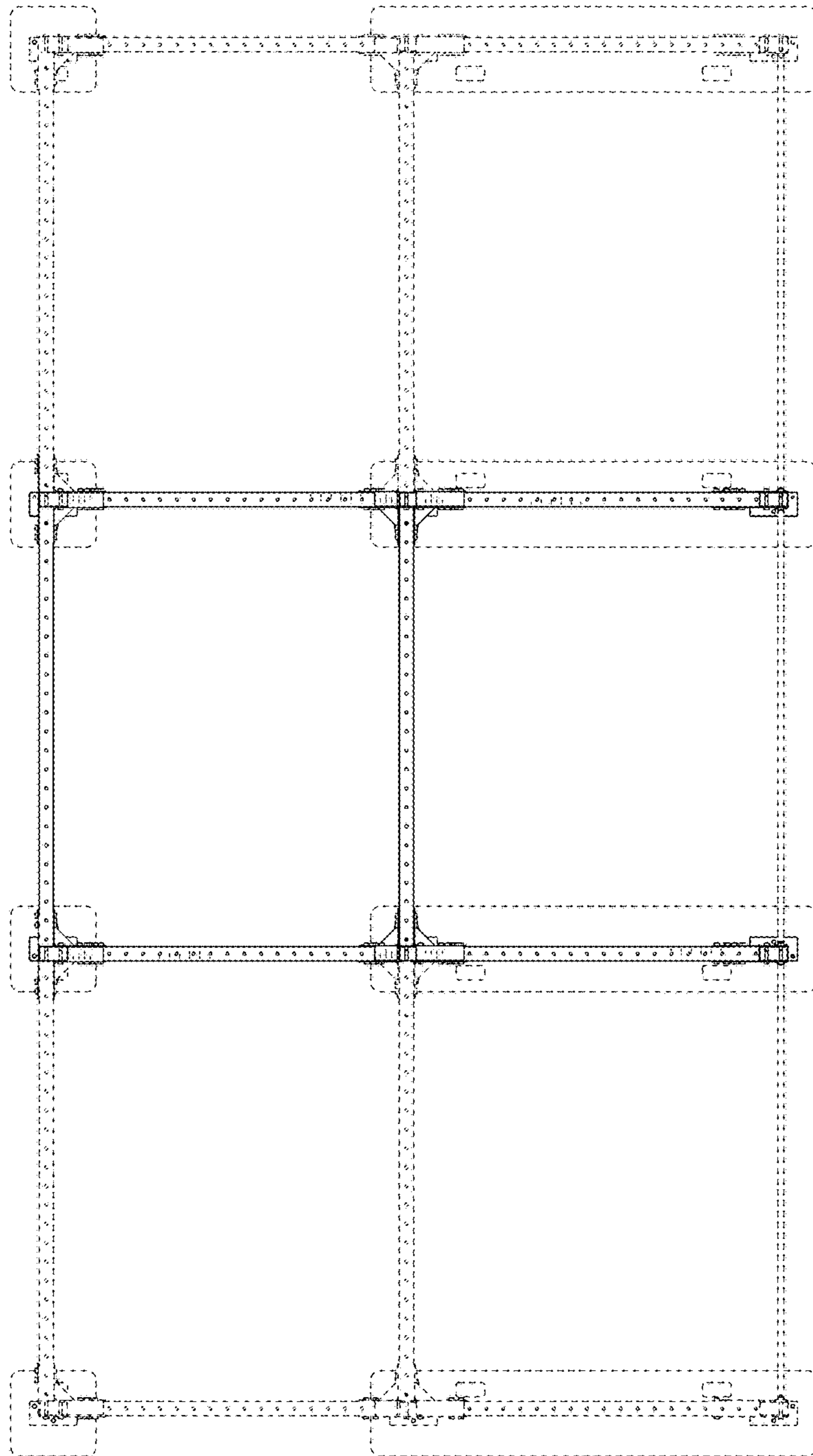


FIG. 9