



US00D852906S

(12) **United States Design Patent** (10) **Patent No.:** **US D852,906 S**
Zhu (45) **Date of Patent:** **** Jul. 2, 2019**

(54) **FITNESS EQUIPMENT**
(71) Applicant: **Zhejiang Raytheon Technology Co., Ltd.**, Zhejiang (CN)
(72) Inventor: **Xiangjun Zhu**, Zhejiang (CN)
(73) Assignee: **ZHEJIANG RAYTHEON TECHNOLOGY CO., LTD.**, Zhejiang (CN)

D541,358 S * 4/2007 Webber D21/690
D541,893 S * 5/2007 Webber D21/690
D664,615 S * 7/2012 Chuang D21/687
D723,638 S * 3/2015 Zhu D21/690
D730,458 S * 5/2015 Zhu D21/690
D787,614 S * 5/2017 Zhu D21/688
2006/0025289 A1 * 2/2006 Wallach A63B 21/0552
482/121
2006/0258520 A1 * 11/2006 Bowser A63B 21/04
482/121

(Continued)

(**) Term: **15 Years**
(21) Appl. No.: **29/628,140**
(22) Filed: **Dec. 1, 2017**

OTHER PUBLICATIONS

Amazon, "IBS 22 in 1 woman master Six Pack . . .", Feb. 12, 2017. https://www.amazon.in/IBS-Twister-twister-Fitness-Cruncher/dp/B01MYCYM9F/ref=cm_cr_arp_d_product_top?ie=UTF8. Shown on p. 1. (Year: 2017).*

(30) **Foreign Application Priority Data**
Jul. 27, 2017 (CN) 2017 3 0337737

Primary Examiner — Cynthia Ramirez
Assistant Examiner — Michael A Maharajh
(74) *Attorney, Agent, or Firm* — Muncy, Geissler, Olds & Lowe, P.C.

(51) **LOC (11) Cl.** **21-02**
(52) **U.S. Cl.**
USPC **D21/676**

(58) **Field of Classification Search**
USPC 482/5, 38, 41, 51, 92, 99, 121, 130, 133, 482/138; 601/23; D21/662, 673, 676, D21/686, 687, 690, 691, 694, 695, 698, D21/797
CPC A63B 22/203; A63B 23/0227; A63B 21/0421
See application file for complete search history.

(57) **CLAIM**

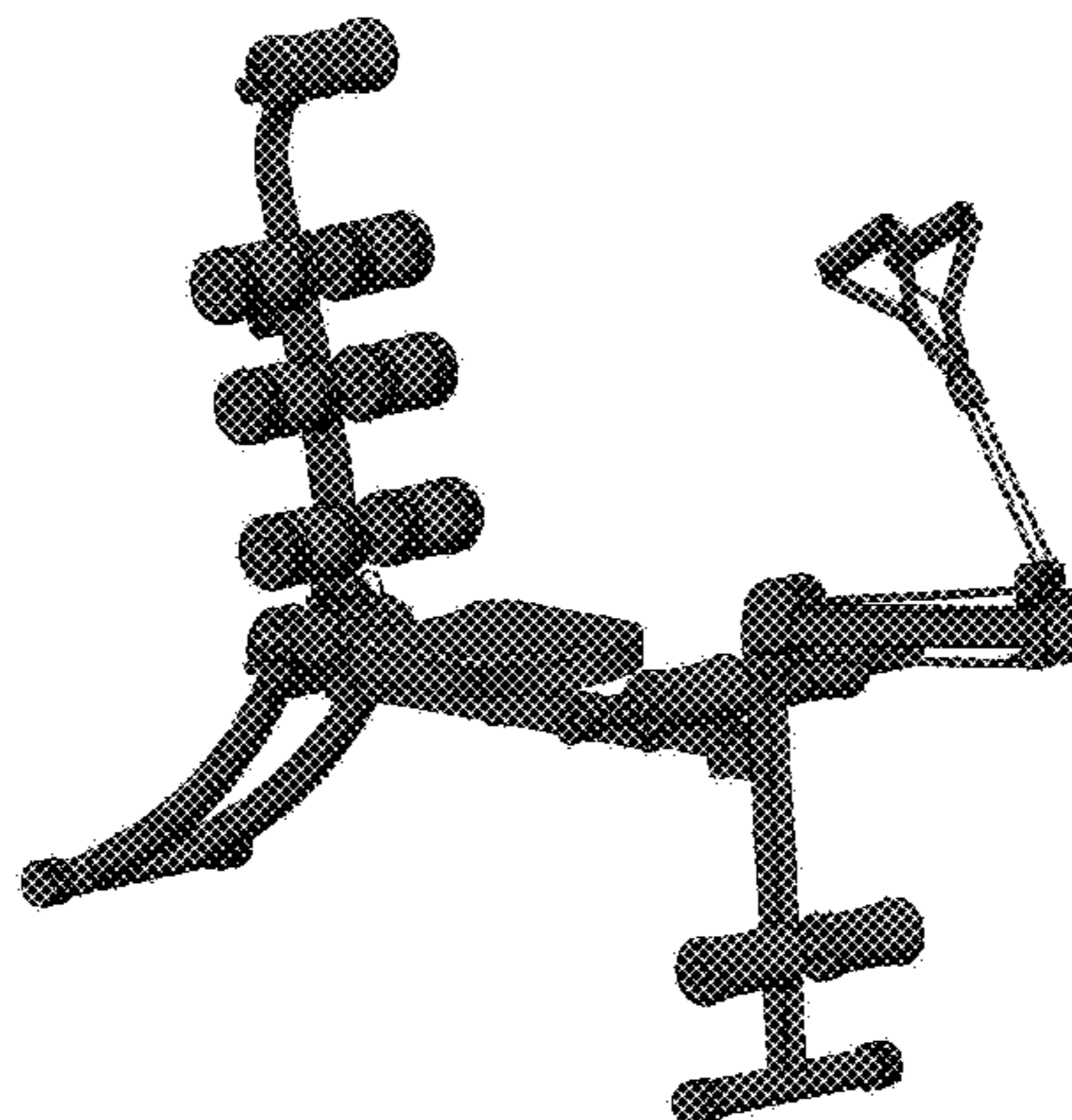
The ornamental design for a fitness equipment, as shown and described.

DESCRIPTION

FIG. 1 is a perspective view of a fitness equipment showing my new design;
FIG. 2 is a front elevational view thereof;
FIG. 3 is a rear elevational view thereof;
FIG. 4 is a left side elevational view thereof;
FIG. 5 is a right side elevational view thereof;
FIG. 6 is a top plan view thereof;
FIG. 7 is a bottom plan view thereof; and,
FIG. 8 is a perspective view of the fitness equipment in use, with the front portion in an alternate position.

(56) **References Cited**
U.S. PATENT DOCUMENTS
5,387,171 A * 2/1995 Casey A63B 21/0552
482/130
5,716,308 A * 2/1998 Lee A63B 21/0552
482/130
6,827,676 B2 * 12/2004 Kuo A63B 21/04
482/121
7,125,366 B1 * 10/2006 Yeh A63B 21/055
482/130
D541,357 S * 4/2007 Webber D21/690

1 Claim, 8 Drawing Sheets



(56)

References Cited

U.S. PATENT DOCUMENTS

2007/0010382 A1* 1/2007 Mackert A63B 21/00
482/121
2007/0111869 A1* 5/2007 Wallach A63B 21/0552
482/121
2010/0255965 A1* 10/2010 Chen A63B 21/0552
482/130
2011/0065554 A1* 3/2011 Van Straaten A63B 21/0552
482/130
2013/0345031 A1* 12/2013 Chiu A63B 21/0421
482/130

* cited by examiner



FIG. 1

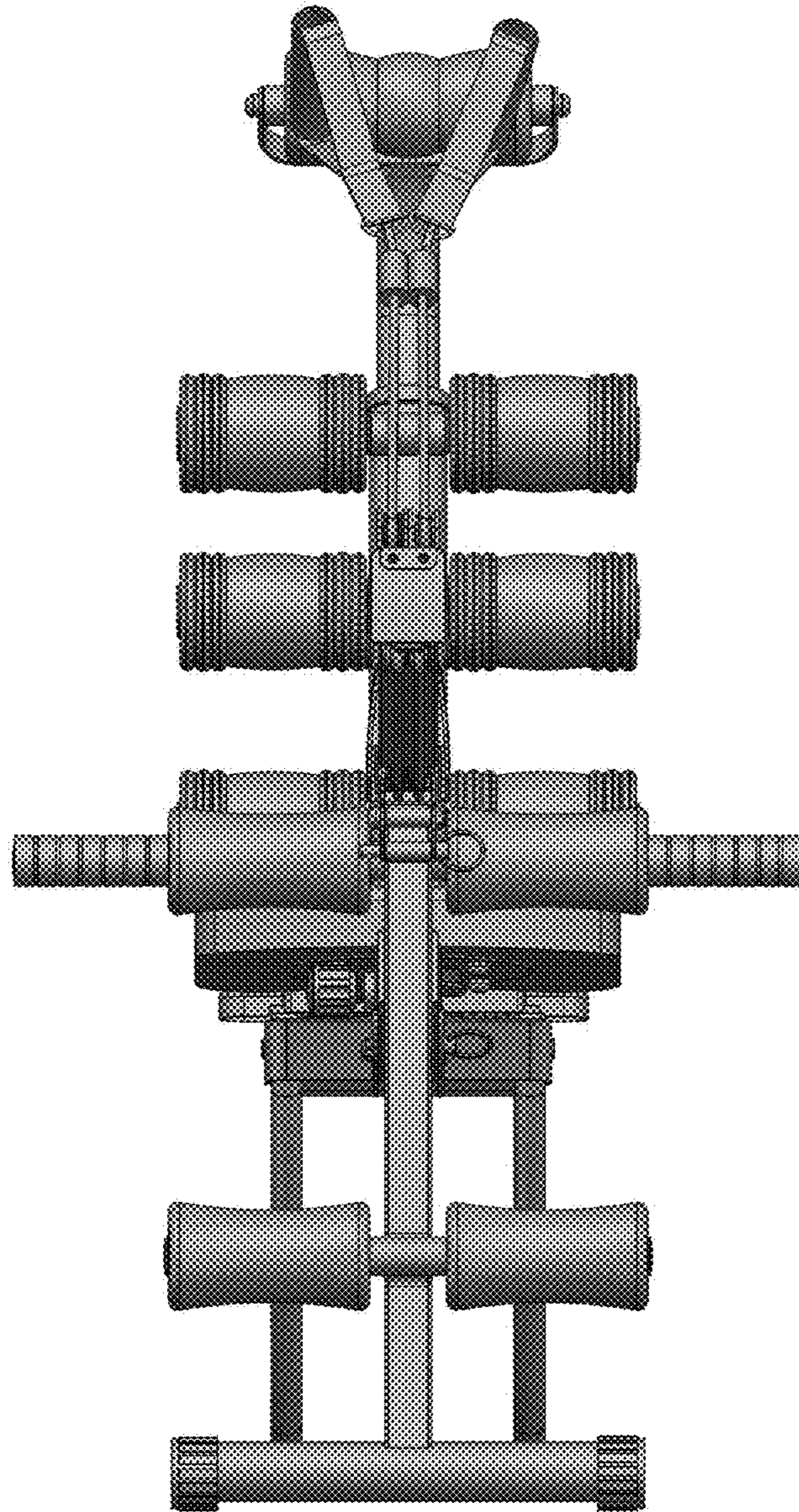


FIG. 2

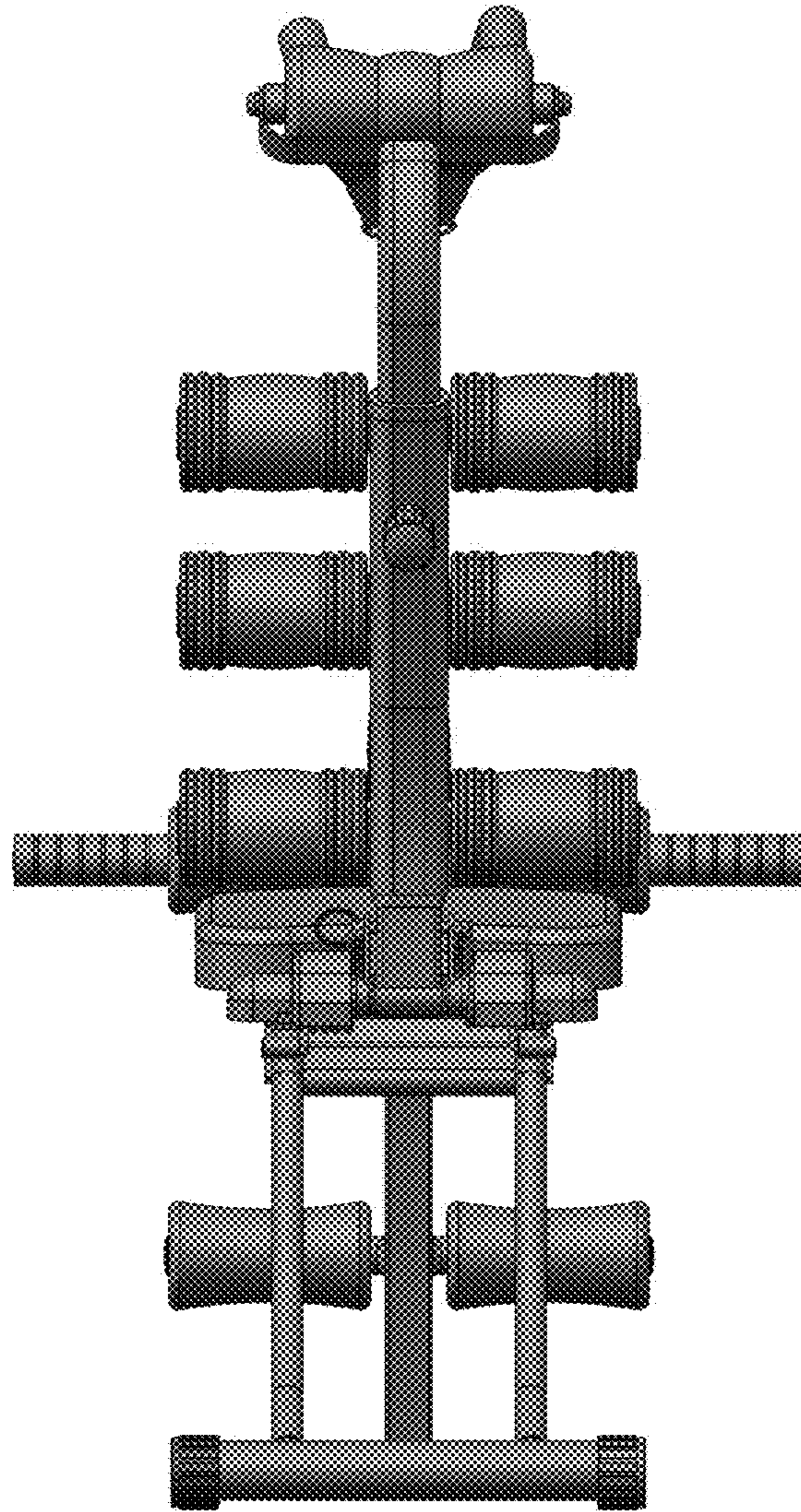


FIG. 3

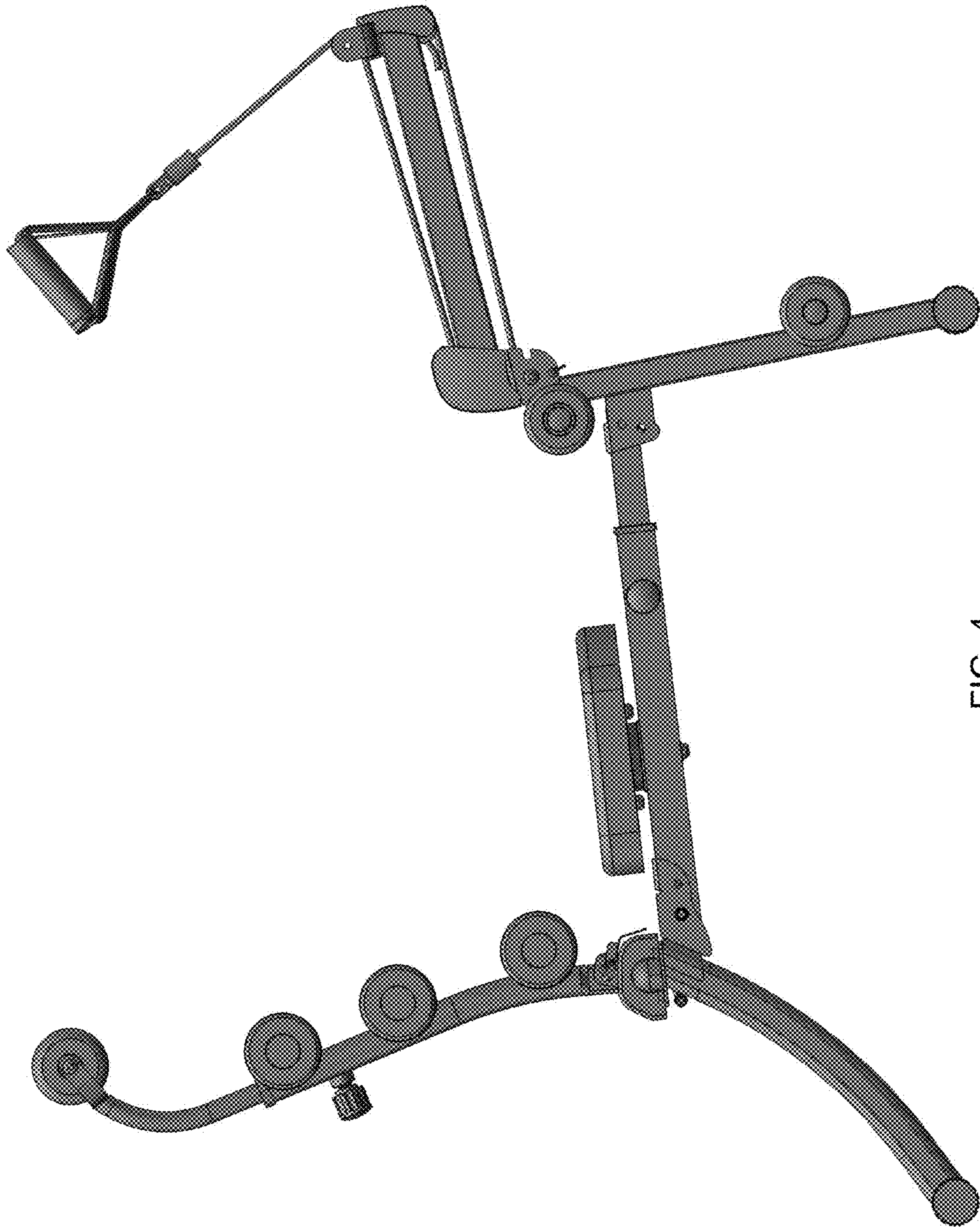


FIG. 4



FIG. 5

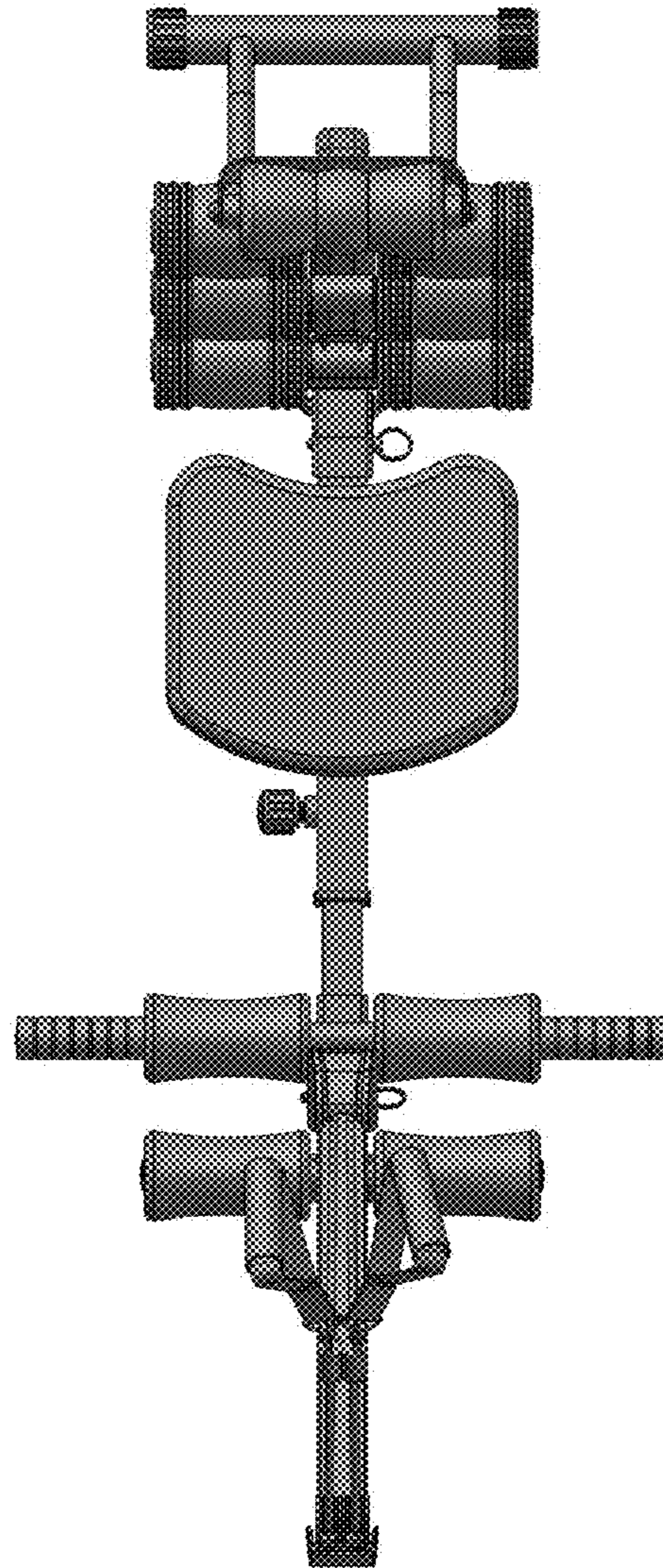


FIG. 6

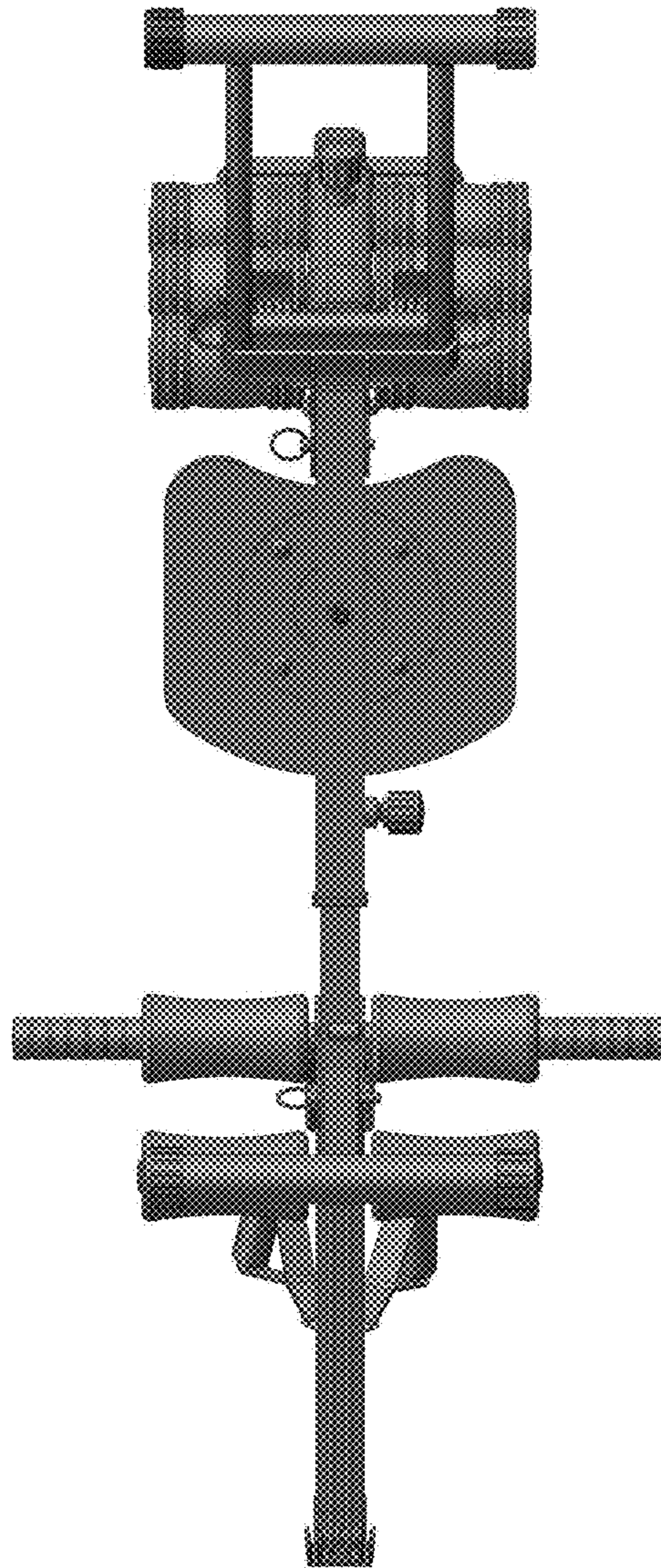


FIG. 7



FIG. 8