



US00D852905S

(12) **United States Design Patent**  
**Flick**

(10) **Patent No.:** **US D852,905 S**  
(45) **Date of Patent:** **\*\* Jul. 2, 2019**

- (54) **EXERCISE BIKE**
- (71) Applicant: **NAUTILUS, INC.**, Vancouver, WA (US)
- (72) Inventor: **Edward L. Flick**, Brush Prairie, WA (US)
- (73) Assignee: **Nautilus, Inc.**, Vancouver, WA (US)
- (\*\*) Term: **15 Years**
- (21) Appl. No.: **29/627,933**
- (22) Filed: **Nov. 30, 2017**
- (51) **LOC (11) Cl.** ..... **21-02**
- (52) **U.S. Cl.**  
USPC ..... **D21/667**
- (58) **Field of Classification Search**  
USPC .. 482/51–52, 54, 57, 66, 68, 70, 72, 79, 80;  
D12/111, 112, 114, 117, 178, 181, 184,  
D12/185, 202, 400, 406, 407, 414;  
D21/662–663, 665–671, 673, 685, 694,  
D21/696–697  
CPC ..... A63B 22/0605; A63B 21/015; A63B  
2022/0658; A63B 21/225; A63B 21/4049  
See application file for complete search history.

- D380,796 S \* 7/1997 Wang ..... D21/667
- D382,924 S \* 8/1997 Wu ..... D21/667
- D382,925 S \* 8/1997 Wu ..... D21/667
- D393,611 S \* 4/1998 Solak ..... D12/111
- D398,562 S \* 9/1998 Coker ..... D12/111
- D430,240 S \* 8/2000 Chang ..... D21/663
- 6,126,577 A \* 10/2000 Chang ..... A63B 26/003  
434/61
- D460,794 S \* 7/2002 Baker ..... D21/667
- 6,508,745 B1 \* 1/2003 Schenk ..... A63B 22/0605  
482/57
- D480,119 S \* 9/2003 Chen ..... D21/663
- D483,821 S \* 12/2003 Yang ..... D12/112

(Continued)

**OTHER PUBLICATIONS**

Gizmodo, "I'd Actually Consider Going to a Spin Class . . .", Jan. 17, 2018. <https://gizmodo.com/id-actually-consider-going-to-a-spin-class-if-i-could-r-1821718010>. Shown on p. 1. (Year: 2018).\*

*Primary Examiner* — Cynthia Ramirez  
*Assistant Examiner* — Michael A Maharajh  
(74) *Attorney, Agent, or Firm* — Dorsey & Whitney LLP

(57) **CLAIM**

I claim the ornamental design for an exercise bike, as shown and described.

**DESCRIPTION**

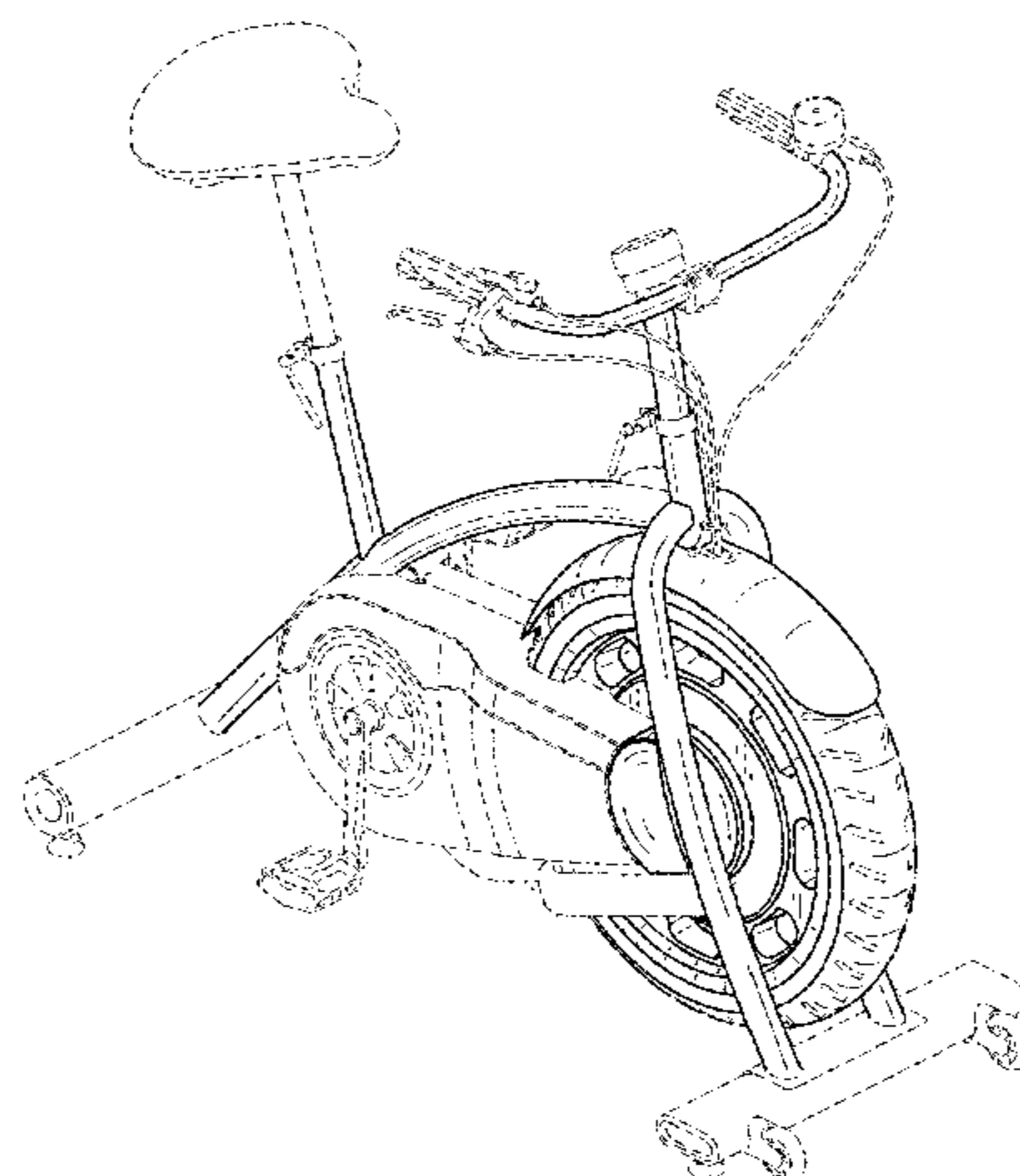
FIG. 1 shows a top front isometric view of an exercise bike in accordance with the present design.  
FIG. 2 shows a left side elevation view thereof.  
FIG. 3 shows a right side elevation view thereof.  
FIG. 4 shows a front elevation view thereof.  
FIG. 5 shows a rear elevation view thereof.  
FIG. 6 shows a top plan view thereof; and,  
FIG. 7 shows a bottom plan view thereof.  
The broken lines illustrate portions of the exercise bike that form no part of the claimed design.

**1 Claim, 6 Drawing Sheets**

(56) **References Cited**

**U.S. PATENT DOCUMENTS**

- D284,596 S \* 7/1986 McNeil ..... D21/697
- D306,330 S \* 2/1990 Lucas ..... D21/665
- D307,166 S \* 4/1990 Wu ..... D21/667
- D319,480 S \* 8/1991 Byrd ..... D21/665
- D319,675 S \* 9/1991 Byrd ..... D21/665
- 5,163,886 A \* 11/1992 Seol ..... A63B 21/015  
482/52
- 5,393,281 A \* 2/1995 Chen ..... A63B 71/0619  
482/13
- 5,492,513 A \* 2/1996 Wang ..... A63B 21/015  
482/4
- D372,284 S \* 7/1996 Wang ..... D21/667



(56)

References Cited

U.S. PATENT DOCUMENTS

6,669,603 B1 \* 12/2003 Forcillo ..... A63B 21/015  
482/51  
6,689,021 B2 \* 2/2004 Stevens ..... A63B 23/03575  
482/51  
6,793,608 B2 \* 9/2004 Goldberg ..... A63B 22/0605  
482/57  
6,852,070 B1 \* 2/2005 Herbert ..... A63B 71/0009  
482/57  
7,081,070 B1 \* 7/2006 Washington ..... A63B 22/0605  
434/61  
D526,031 S \* 8/2006 Corbalis ..... D21/663  
7,175,570 B2 \* 2/2007 Lull ..... A63B 21/157  
482/57  
D565,129 S \* 3/2008 Chang ..... D21/668  
D567,310 S \* 4/2008 Chen ..... D21/668  
7,367,925 B2 \* 5/2008 Hsu ..... A63B 22/001  
482/52  
D571,417 S \* 6/2008 Su ..... D21/667  
7,413,530 B2 \* 8/2008 Warner ..... A63B 21/157  
482/57  
7,481,746 B2 \* 1/2009 Iburguren ..... A63B 22/0605  
482/57  
D586,409 S \* 2/2009 Keiser ..... D21/667  
7,488,275 B2 \* 2/2009 Warner ..... A63B 21/157  
482/57  
7,544,154 B2 \* 6/2009 Corbalis ..... A63B 22/0605  
474/144  
7,582,043 B2 \* 9/2009 Liao ..... A63B 22/001  
482/51  
7,682,286 B2 \* 3/2010 Badarneh ..... A63B 26/003  
482/4  
D614,084 S \* 4/2010 Tanaka ..... D12/111

D616,050 S \* 5/2010 Lull ..... D21/667  
7,785,236 B1 \* 8/2010 Lo ..... A63B 21/0051  
482/57  
D624,612 S \* 9/2010 Watt ..... D21/667  
D625,762 S \* 10/2010 Fon ..... D21/667  
7,905,817 B2 \* 3/2011 Giannascoli ..... A63B 69/16  
482/51  
D636,449 S \* 4/2011 Wu ..... D21/667  
D643,887 S \* 8/2011 Keiser ..... A63B 21/0051  
D21/667  
8,210,993 B2 \* 7/2012 Lee ..... A63B 21/225  
482/52  
8,257,230 B2 \* 9/2012 Chen ..... A63B 21/0125  
482/51  
D672,827 S \* 12/2012 Alessandri ..... D21/663  
D675,687 S \* 2/2013 Fischer ..... D21/663  
D676,508 S \* 2/2013 Wu ..... D21/667  
D677,349 S \* 3/2013 Baudhuin ..... D21/667  
D677,746 S \* 3/2013 Baudhuin ..... D21/667  
D682,371 S \* 5/2013 Baudhuin ..... D21/667  
8,585,561 B2 \* 11/2013 Watt ..... A63B 21/0051  
482/57  
D699,795 S \* 2/2014 Rauwerdink ..... D21/665  
D699,796 S \* 2/2014 Flick ..... D21/665  
8,808,149 B2 \* 8/2014 Huang ..... A63B 22/04  
482/52  
8,870,716 B2 \* 10/2014 Murray ..... A63B 21/15  
482/51  
D735,620 S \* 8/2015 Pape ..... B62K 9/00  
D12/111  
D794,142 S \* 8/2017 Zhou ..... D21/663  
D794,724 S \* 8/2017 Tasca ..... D21/663  
D795,973 S \* 8/2017 Bush ..... D12/178  
D825,012 S \* 8/2018 Bass ..... D21/664  
D831,543 S \* 10/2018 Cargo ..... D12/111

\* cited by examiner

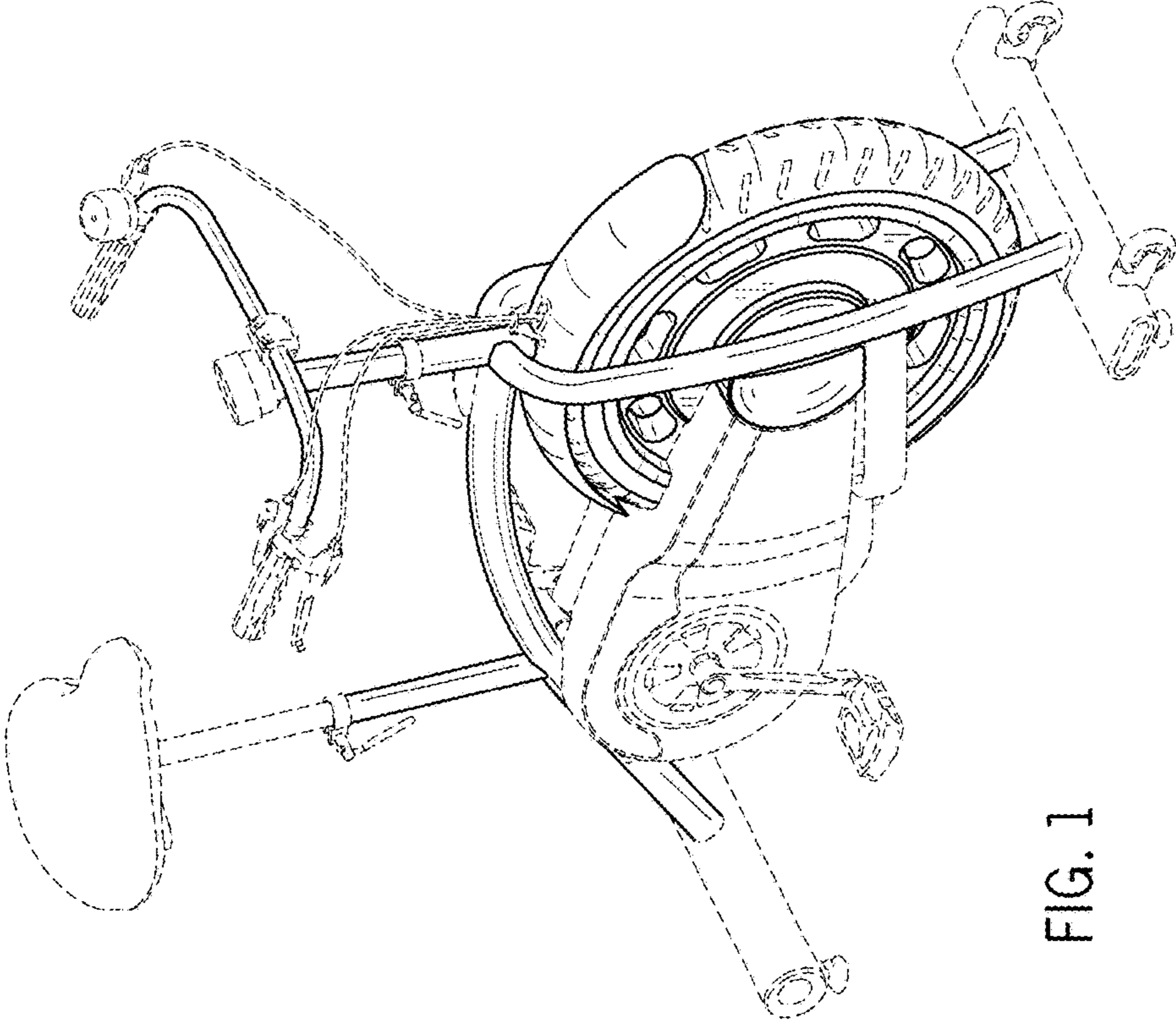


FIG. 1

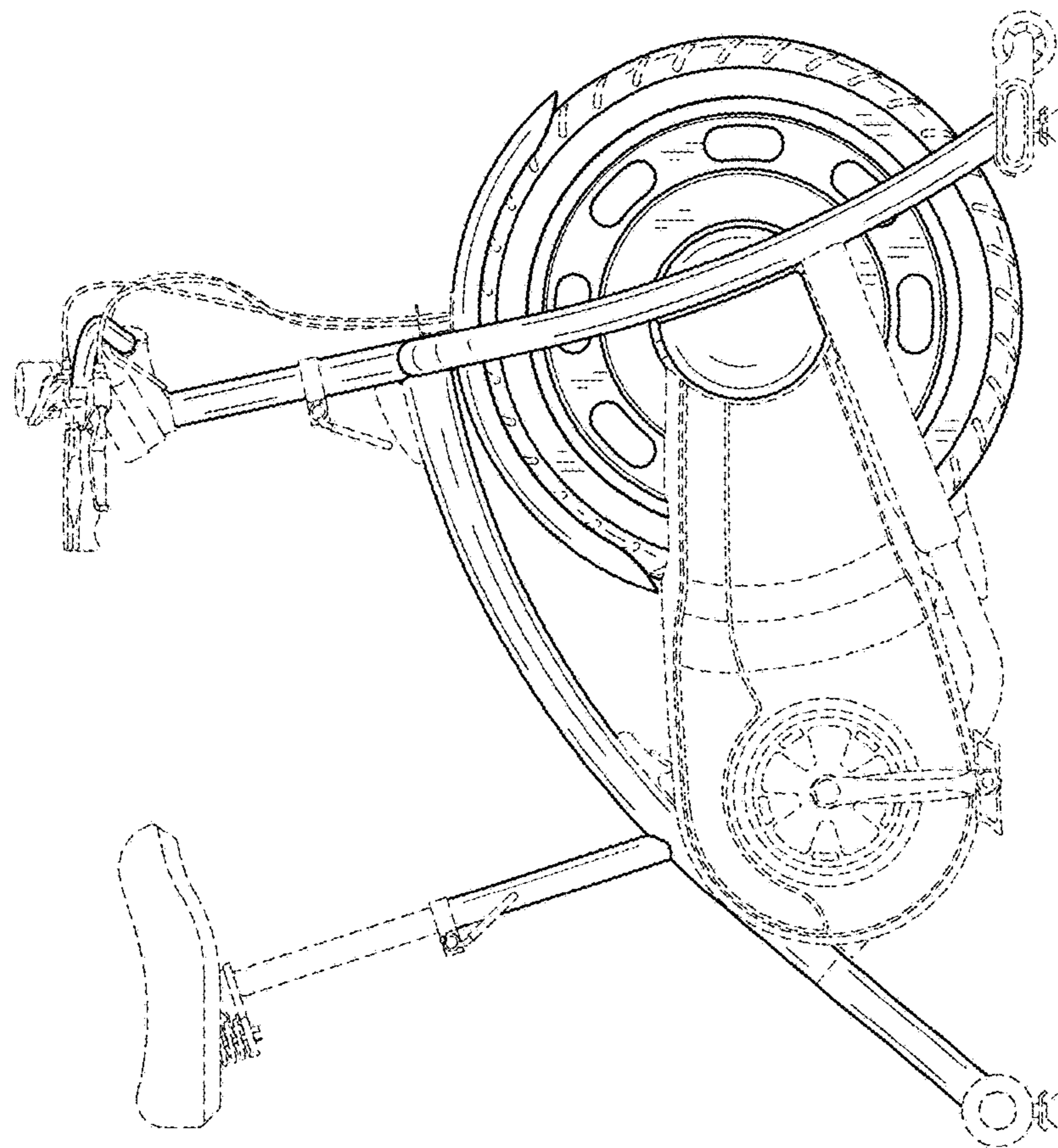


FIG. 2

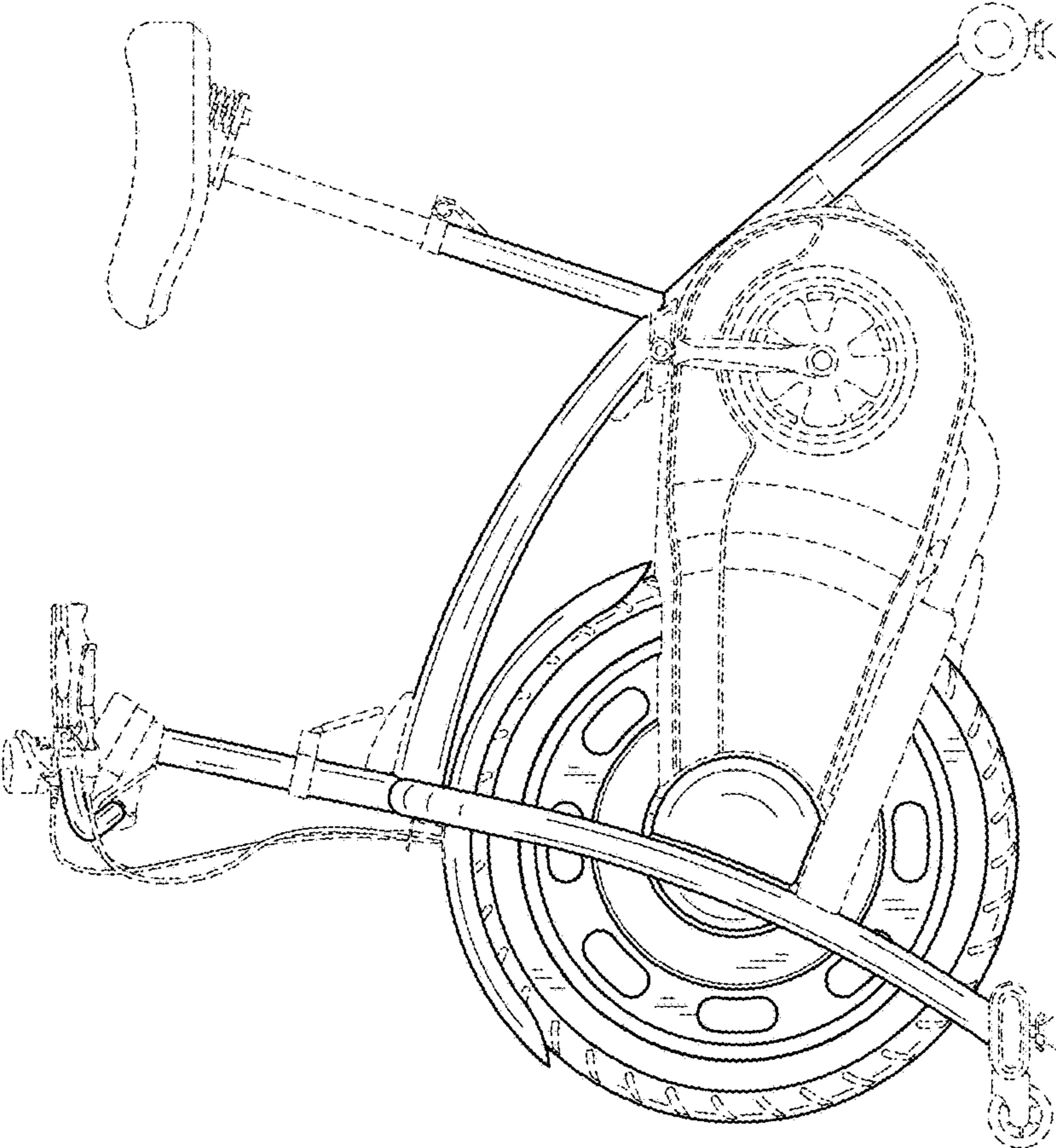


FIG. 3

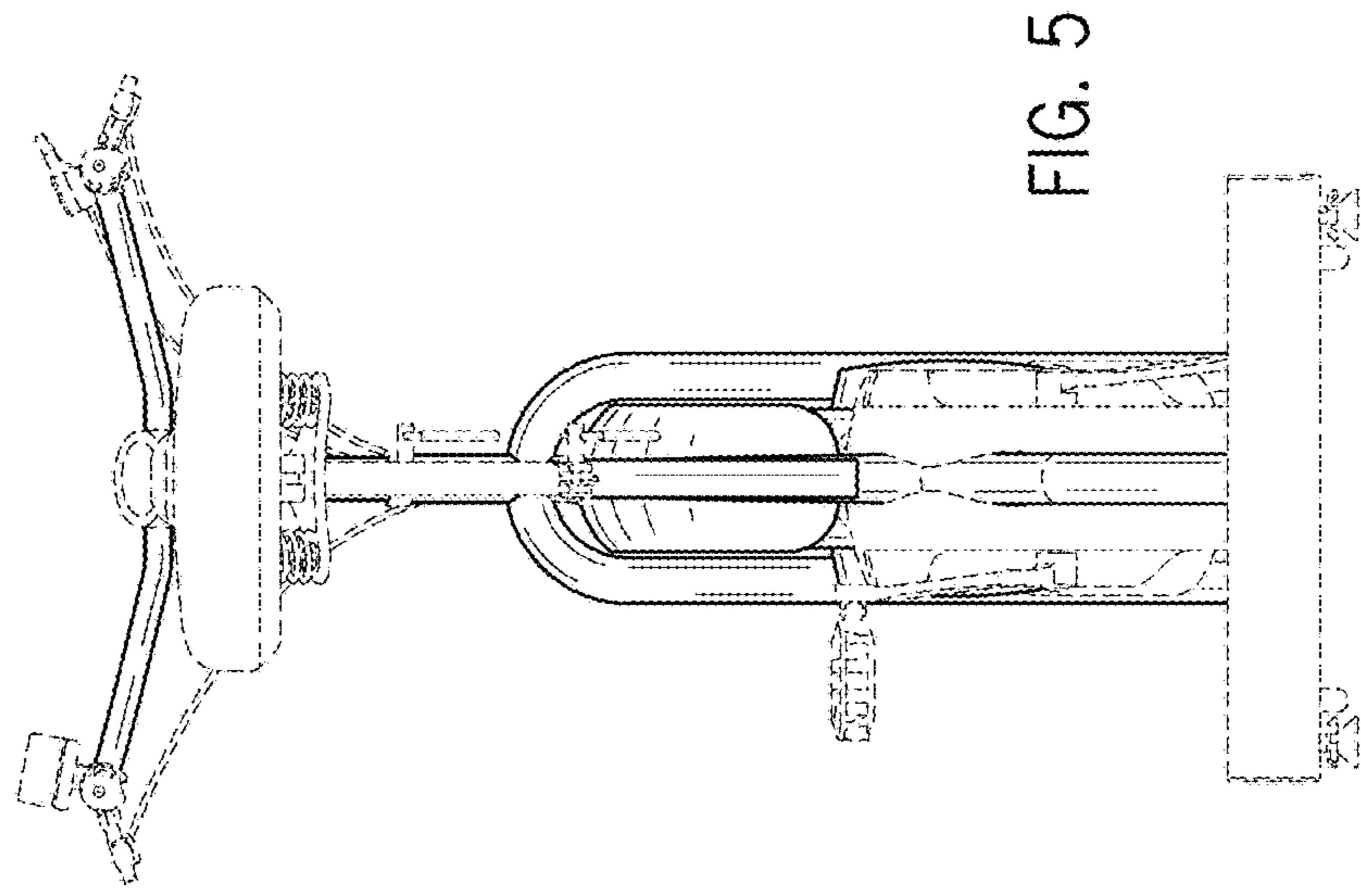


FIG. 5

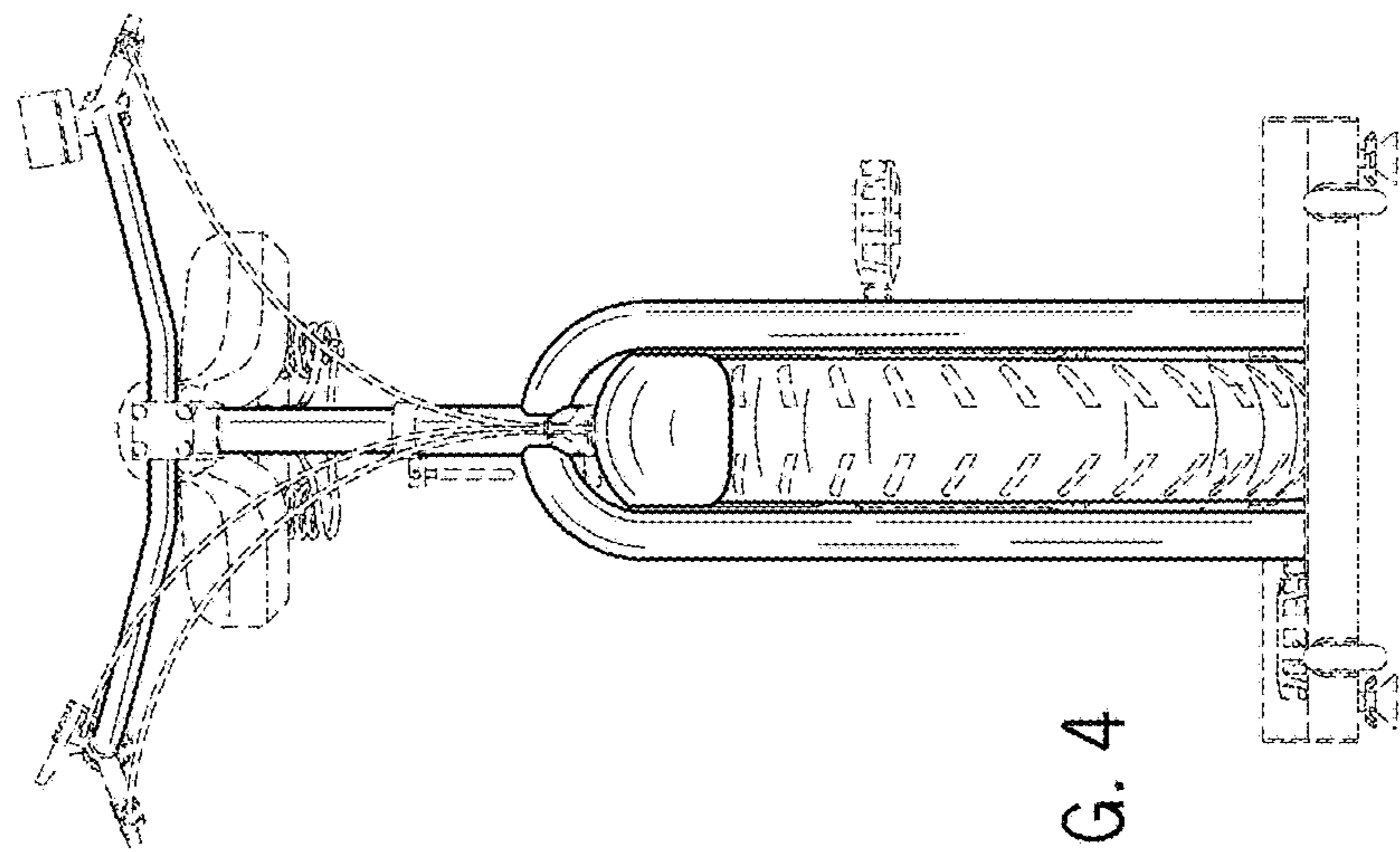


FIG. 4

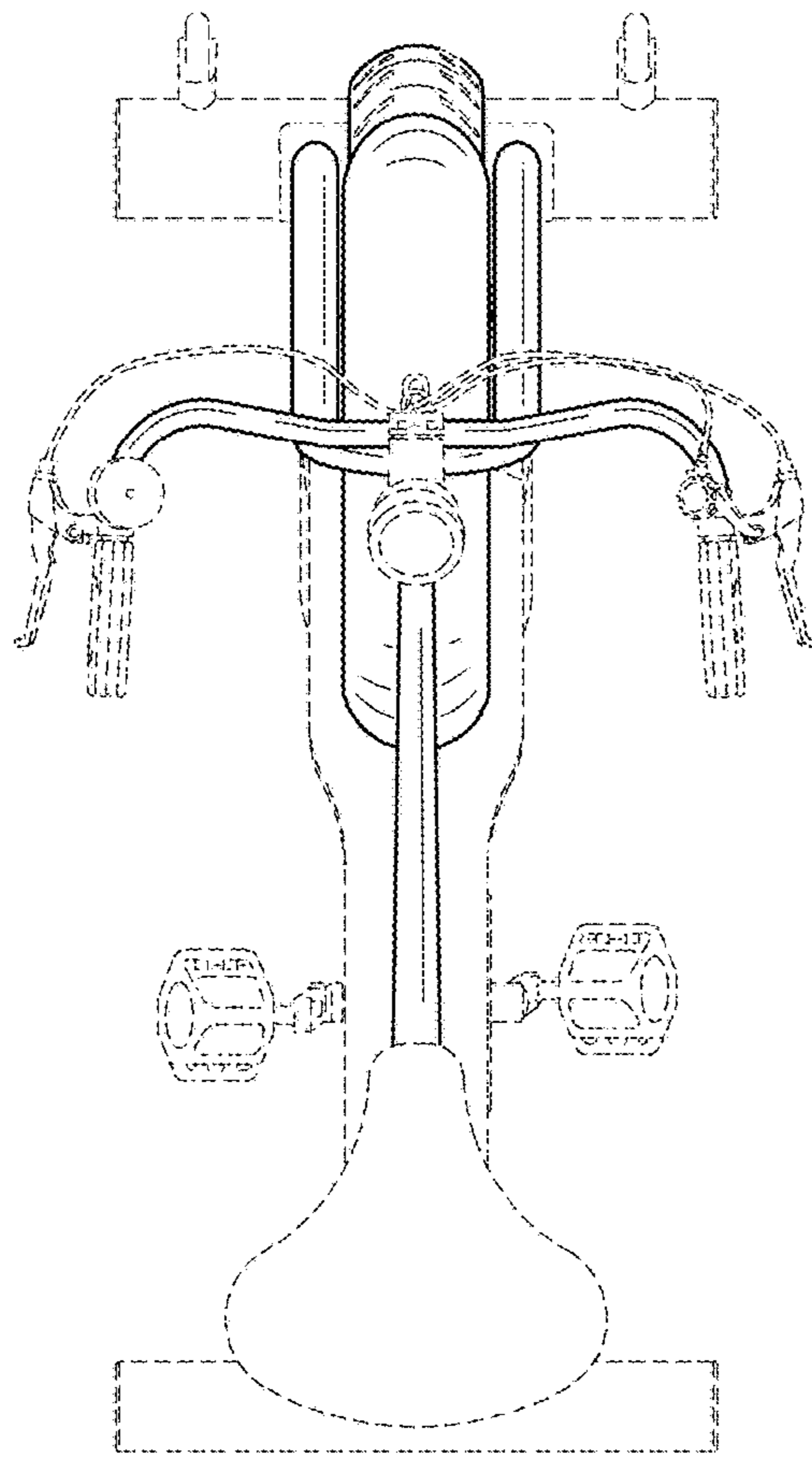


FIG. 6

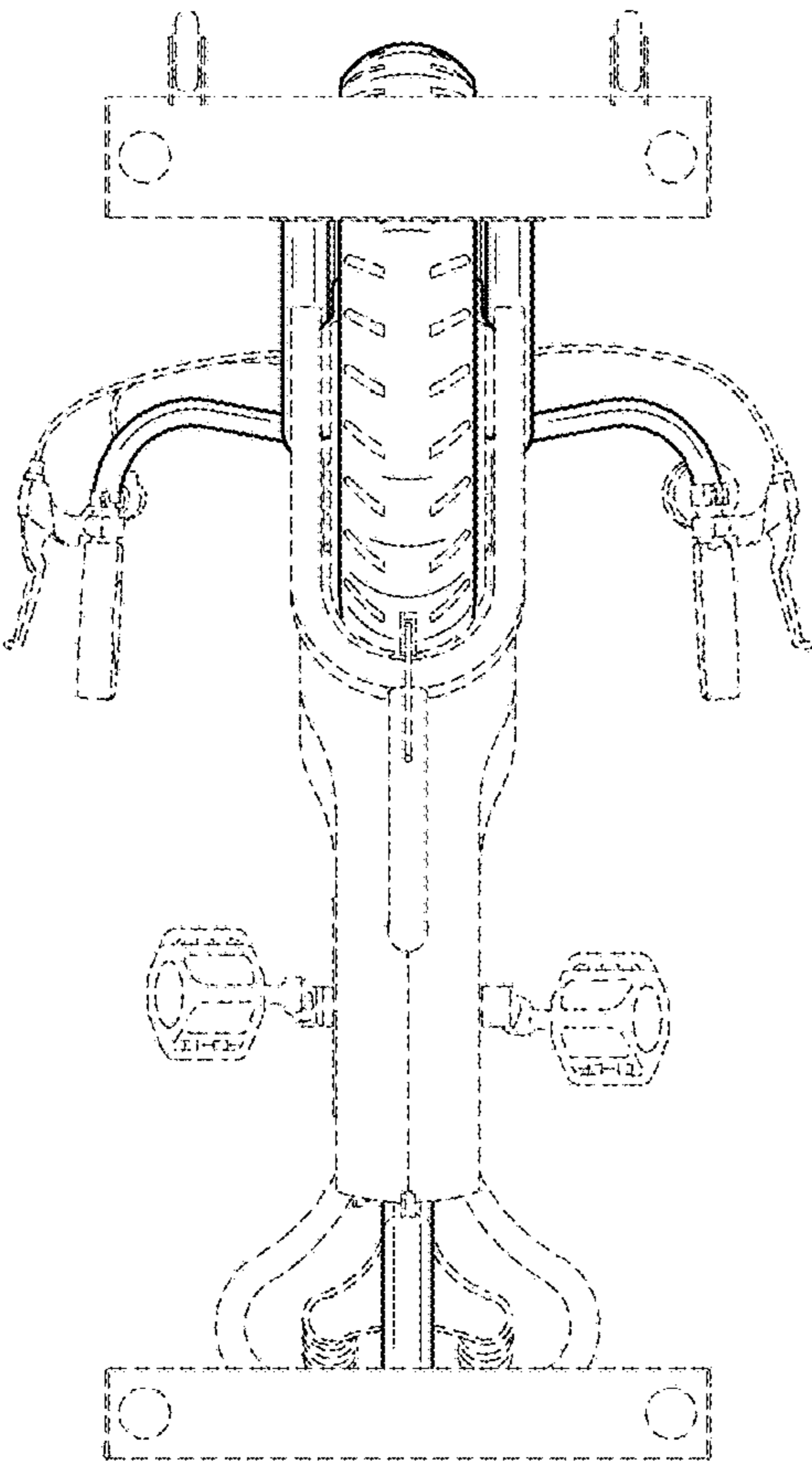


FIG. 7