



US00D852903S

(12) **United States Design Patent**
Chuang

(10) **Patent No.:** **US D852,903 S**

(45) **Date of Patent:** **** Jul. 2, 2019**

(54) **ABDOMINAL EXERCISE DEVICE**

8,267,846 B2 * 9/2012 Yang A63B 21/0004
482/140

(71) Applicant: **Lung-Fei Chuang**, Taichung (TW)

D669,141 S * 10/2012 MacColl D21/662
8,894,555 B2 * 11/2014 Colledge A63B 21/0004

(72) Inventor: **Lung-Fei Chuang**, Taichung (TW)

482/132
D731,009 S * 6/2015 Preston D21/681

(**) Term: **15 Years**

9,586,088 B2 * 3/2017 Wong A63B 23/0211

(21) Appl. No.: **29/624,708**

9,649,521 B2 * 5/2017 Miller A63B 21/00185

(22) Filed: **Nov. 3, 2017**

D815,217 S * 4/2018 Miller D21/662

(30) **Foreign Application Priority Data**

D818,544 S * 5/2018 Miller D21/662

Jul. 26, 2017 (TW) 106211006

2003/0022770 A1 * 1/2003 Lee A63B 21/04

(51) **LOC (11) Cl.** **21-02**

2013/0017936 A1 * 1/2013 Olson A63B 21/0004

(52) **U.S. Cl.**

USPC **D21/662**

(58) **Field of Classification Search**

USPC 482/92, 93, 94, 95, 96, 97, 99, 100, 133,

482/135, 138, 140, 142; D21/662, 673,

D21/674, 675, 676, 679, 681, 686, 687,

D21/690, 691

CPC A63B 21/4035; A63B 22/16; A63B 22/20;

A63B 22/203

See application file for complete search history.

* cited by examiner

Primary Examiner — Cynthia Ramirez

Assistant Examiner — Michael A Maharajh

(74) *Attorney, Agent, or Firm* — CKC & Partners Co.,
LLC

(57) **CLAIM**

The ornamental design for an abdominal exercise device, as shown and described.

DESCRIPTION

FIG. 1 is a perspective view of an abdominal exercise device showing my new design;

FIG. 2 is a front view thereof;

FIG. 3 is a back view thereof;

FIG. 4 is a left side view thereof;

FIG. 5 is a right side view thereof;

FIG. 6 is a top view thereof; and,

FIG. 7 is a bottom view thereof.

The broken lines shown in the figures are for the purpose of illustration portions of the abdominal exercise device, which form no part of the claimed design.

1 Claim, 4 Drawing Sheets

(56) **References Cited**

U.S. PATENT DOCUMENTS

3,403,906 A * 10/1968 Burzenski A63B 22/20
482/108

3,752,475 A * 8/1973 Ott A63B 21/0004
482/127

4,136,867 A * 1/1979 Wilkin A63B 22/20
482/132

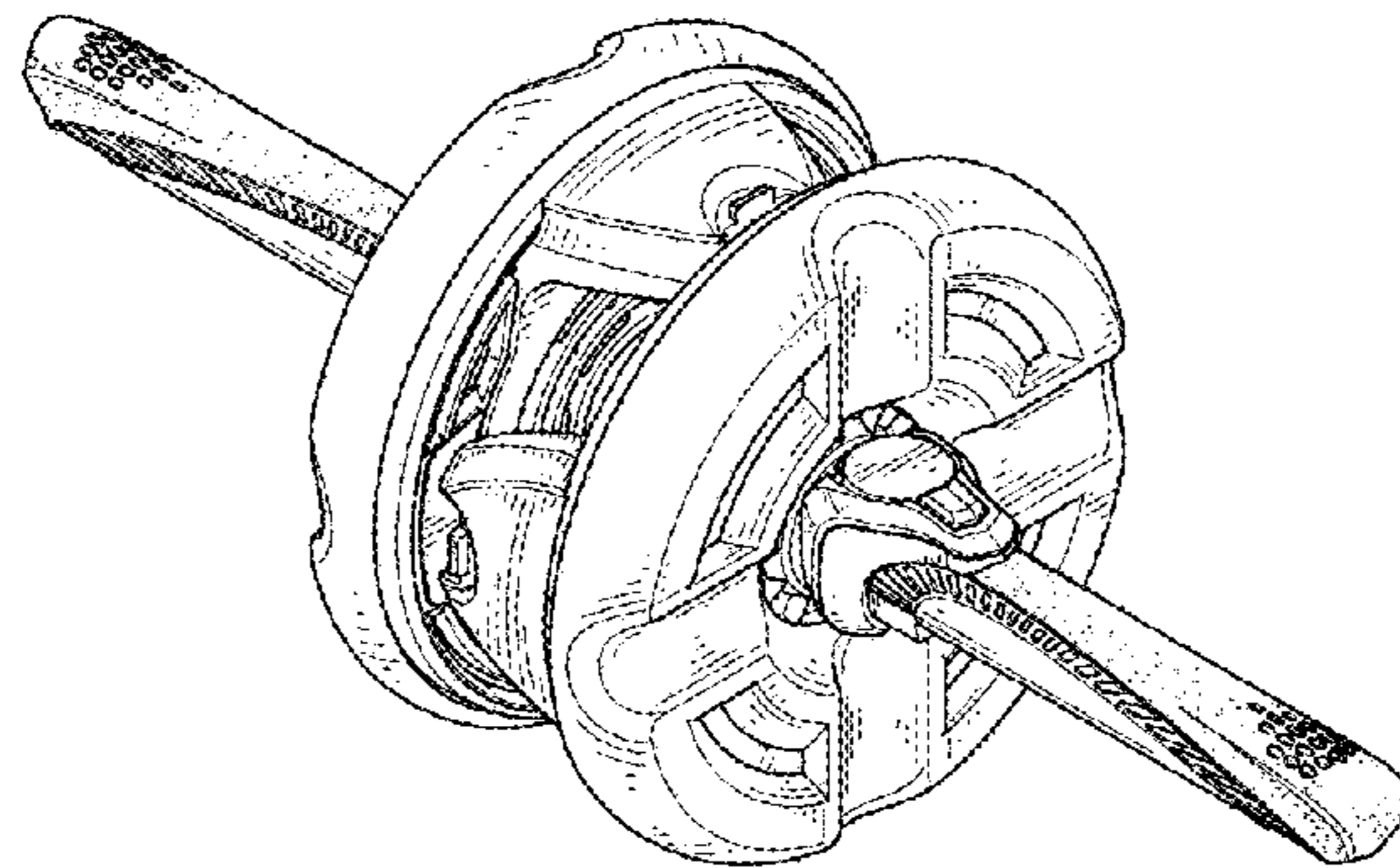
D306,886 S * 3/1990 Shiek D21/662

D454,929 S * 3/2002 Huang D21/662

D527,775 S * 9/2006 Akerstein D21/662

7,837,603 B1 * 11/2010 Carnell, Sr. A63B 21/0004
482/132

D666,255 S * 8/2012 Babchinetskaya D21/662



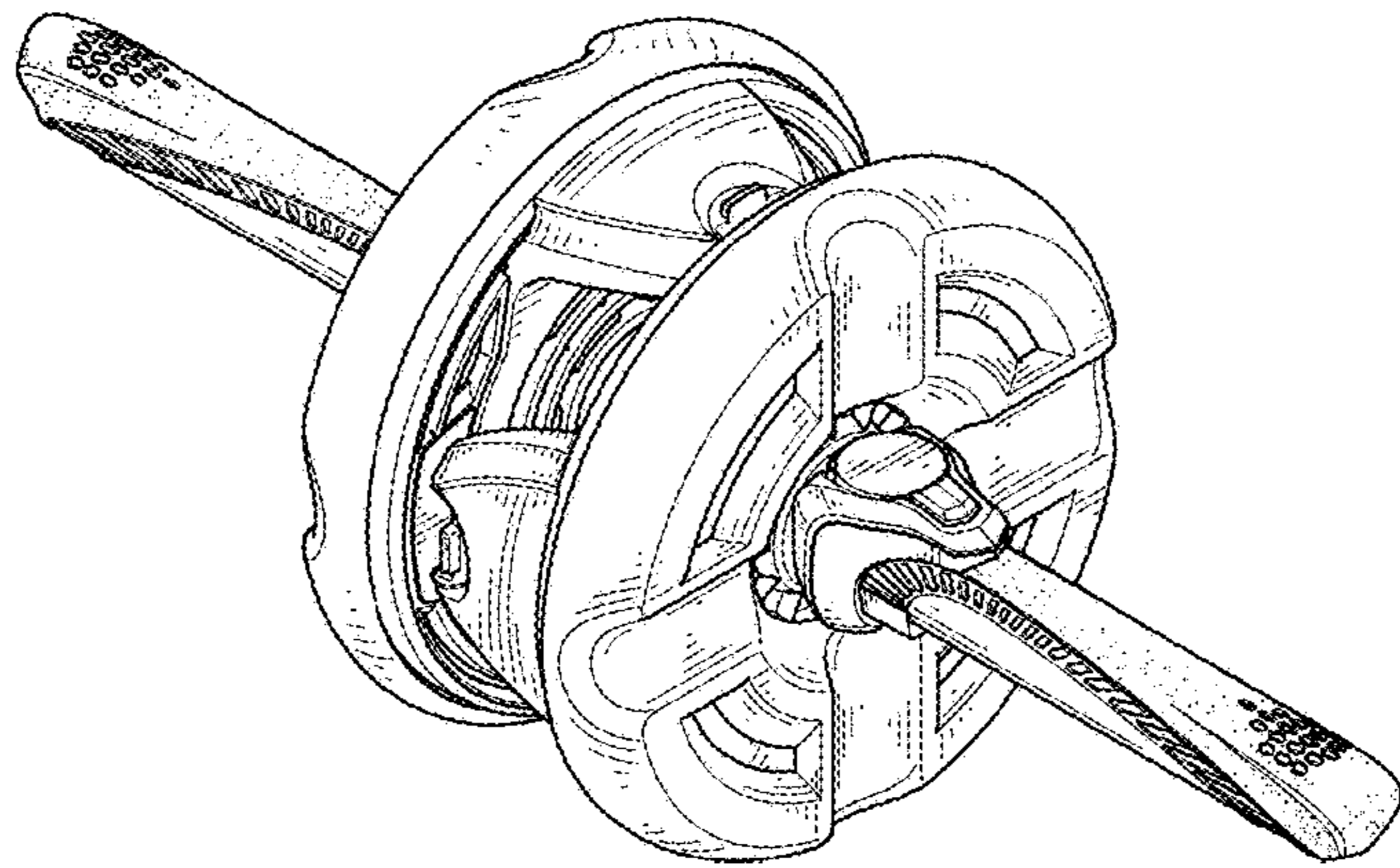


Fig. 1

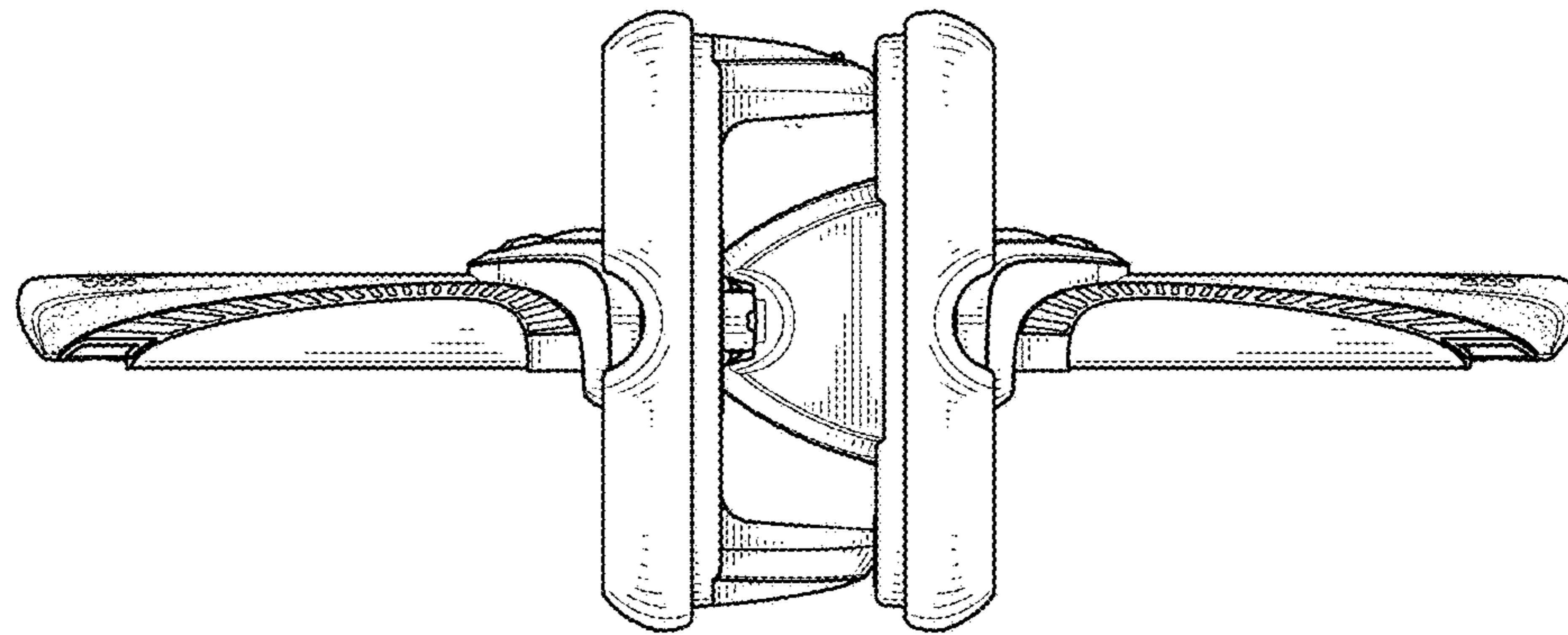


Fig. 2

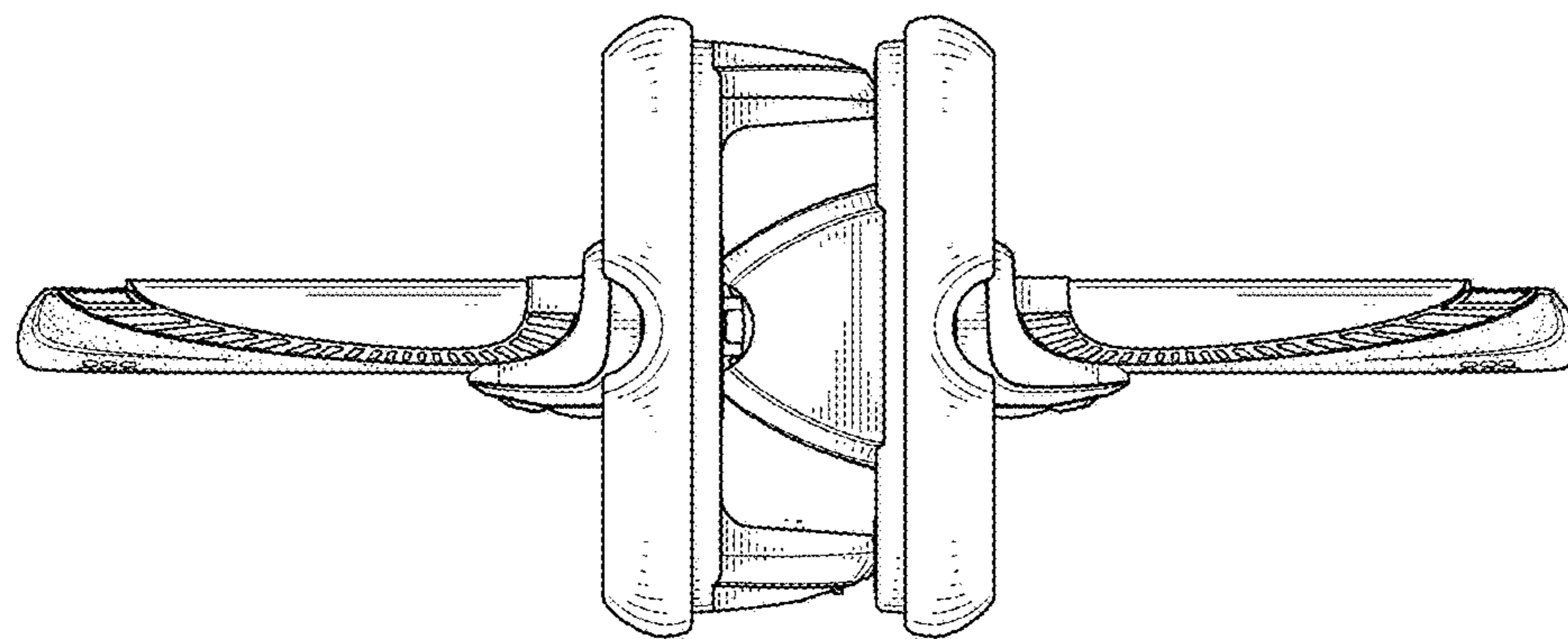


Fig. 3

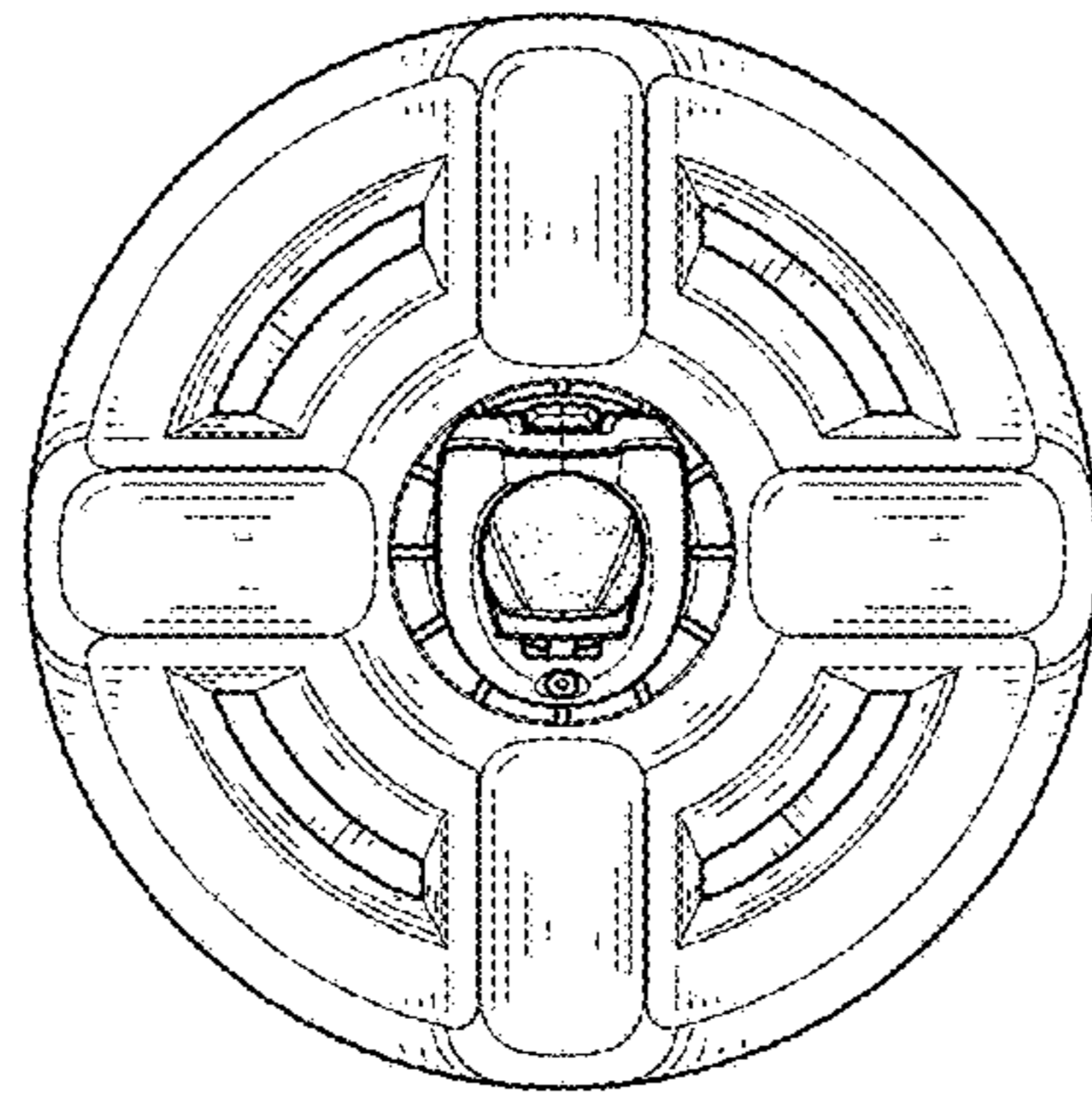


Fig. 4

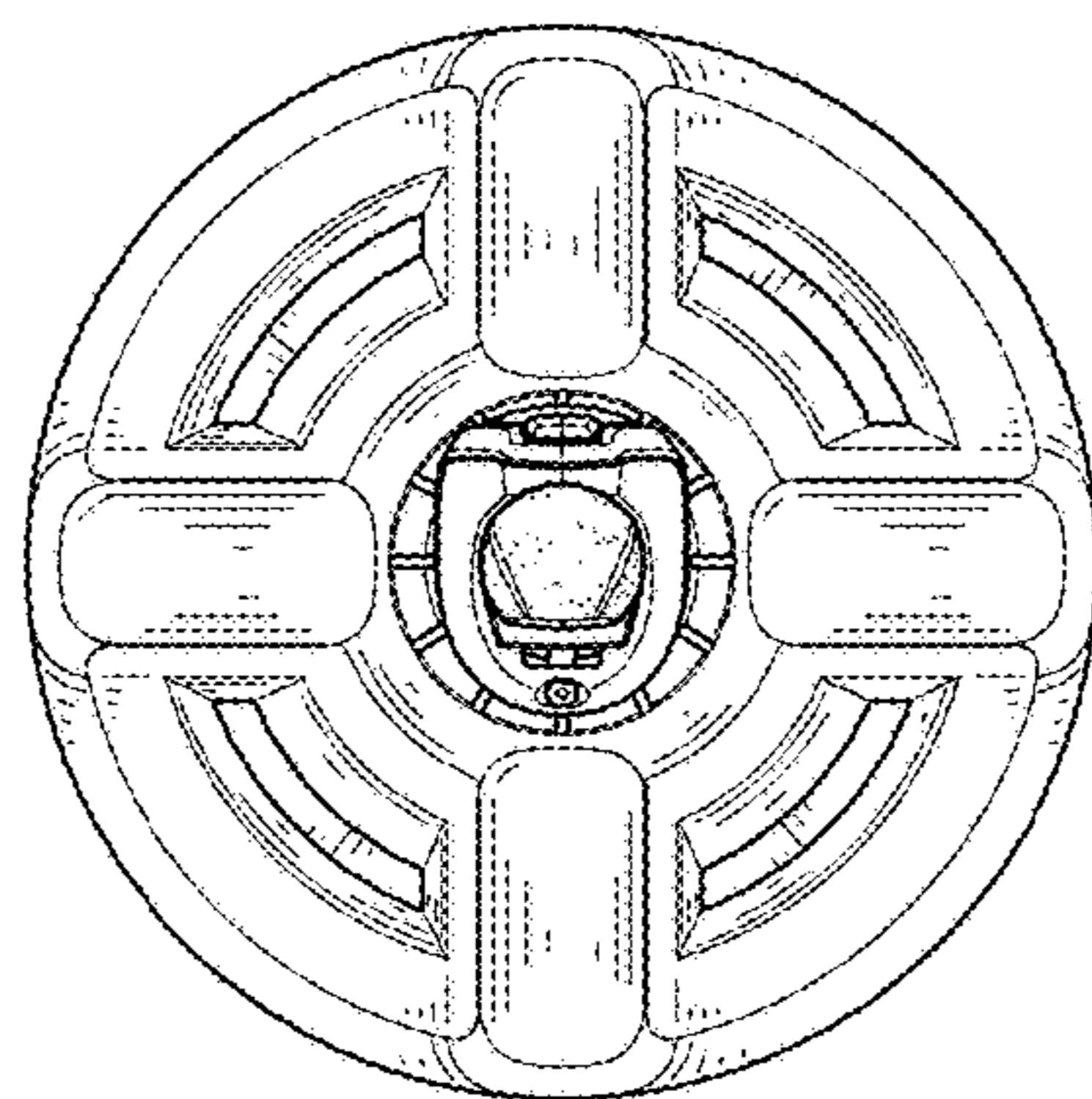


Fig. 5

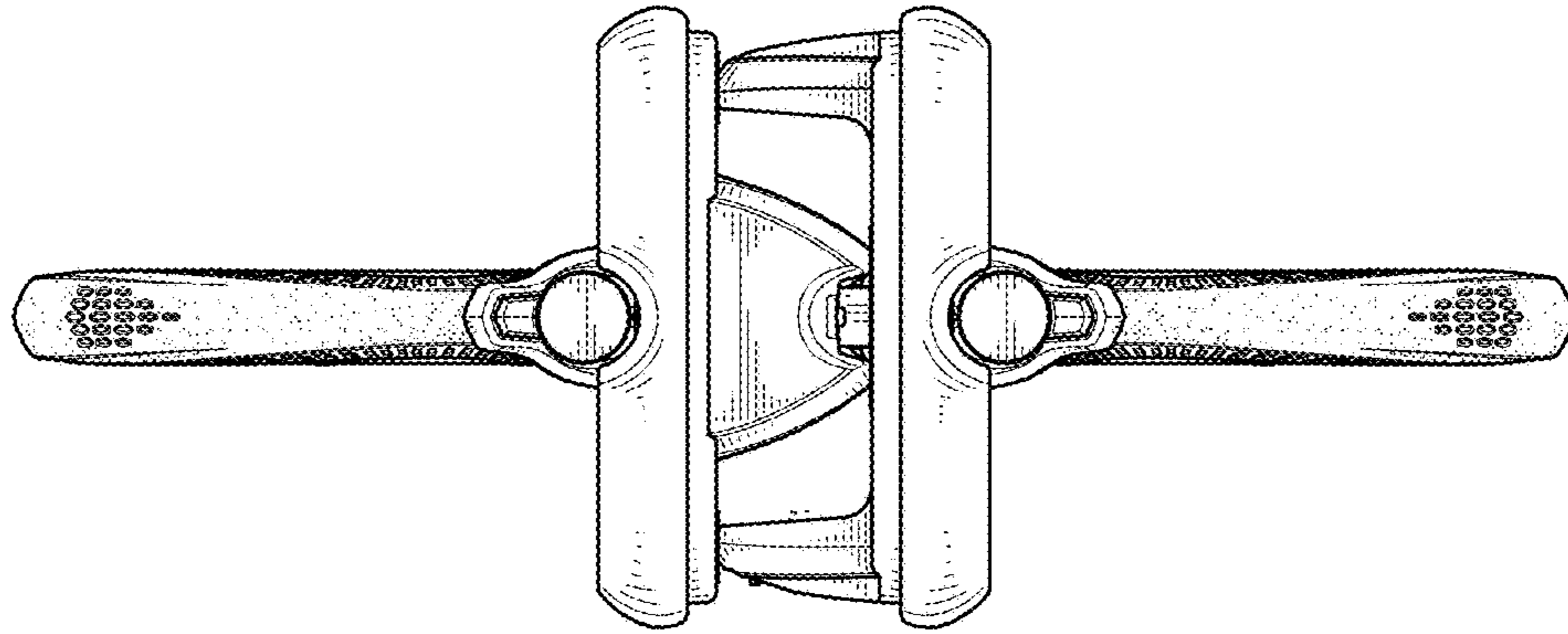


Fig. 6

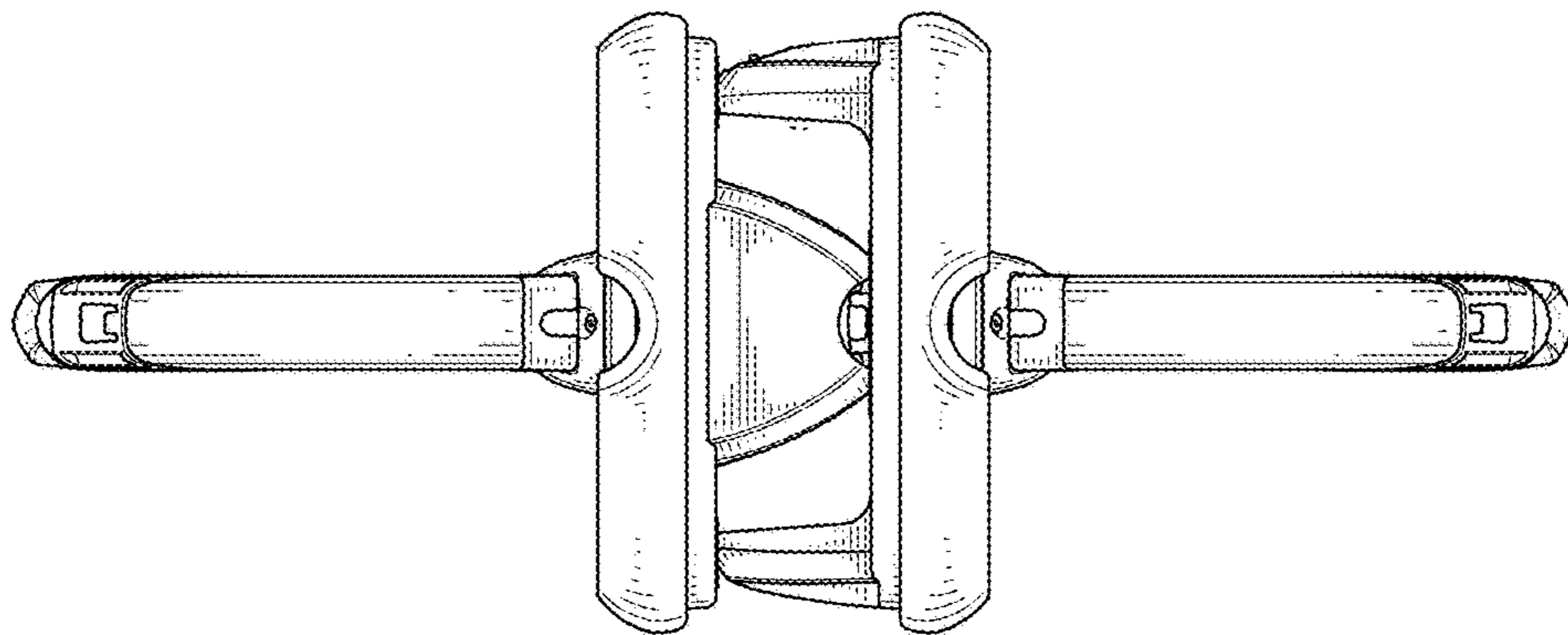


Fig. 7