



US00D852899S

(12) **United States Design Patent**
Langberg

(10) **Patent No.:** **US D852,899 S**

(45) **Date of Patent:** **** Jul. 2, 2019**

- (54) **TOY CAR**
- (71) Applicant: **Eric Langberg**, Milford, PA (US)
- (72) Inventor: **Eric Langberg**, Milford, PA (US)
- (73) Assignee: **IdeaVillage Products Corporation**,
Wayne, NJ (US)
- (**) Term: **15 Years**
- (21) Appl. No.: **29/620,699**
- (22) Filed: **May 1, 2017**
- (51) **LOC (11) Cl.** **21-01**
- (52) **U.S. Cl.**
USPC **D21/548**; D21/424; D21/433; D21/533;
D21/549
- (58) **Field of Classification Search**
USPC D12/86, 88, 90-92, 164, 173, 184-186,
D12/190, 196; D21/419, 421, 423,
D21/424-426, 433-434, 548, 549, 550,
D21/552, 559, 561; 446/456
CPC A63H 17/26; A63H 17/262; A63H 17/264;
A63H 17/266; A63H 17/36; A63H 17/38;
A63H 29/00; A63H 29/22; A63H 29/24;
A63H 30/04
See application file for complete search history.

- D507,992 S * 8/2005 Stephenson D12/92
- D521,904 S * 5/2006 Moruzzi D12/92
- D534,222 S * 12/2006 Hill D21/433
- D550,126 S * 9/2007 Amprimo D12/88
- D566,790 S * 4/2008 Idiot D21/552
- D576,523 S * 9/2008 Battams D12/88
- D753,549 S * 4/2016 Manzoni D12/88
- D756,847 S * 5/2016 Nicoghosian D12/88
- D769,378 S * 10/2016 Belker D21/549
- D770,574 S * 11/2016 Belker D21/549
- D770,575 S * 11/2016 Belker D21/549
- D790,402 S * 6/2017 Perini D12/88
- D792,526 S * 7/2017 Belker D21/561
- D801,857 S * 11/2017 Kim D12/88

* cited by examiner

Primary Examiner — Robin V Webster

Assistant Examiner — Keith J Wilson

(74) *Attorney, Agent, or Firm* — Dan DeLaRosa

(57) **CLAIM**

The ornamental design for a toy car, as shown and described.

DESCRIPTION

FIG. 1 is a front perspective view of the toy car of the present invention showing my new design and an opened compartment;

FIG. 2 is front side elevational view thereof;

FIG. 3 is a back side elevational view thereof;

FIG. 4 is a side elevational view thereof;

FIG. 5 is another side elevational view thereof

FIG. 6 is a top plan view thereof; and,

FIG. 7 is a bottom plan view thereof.

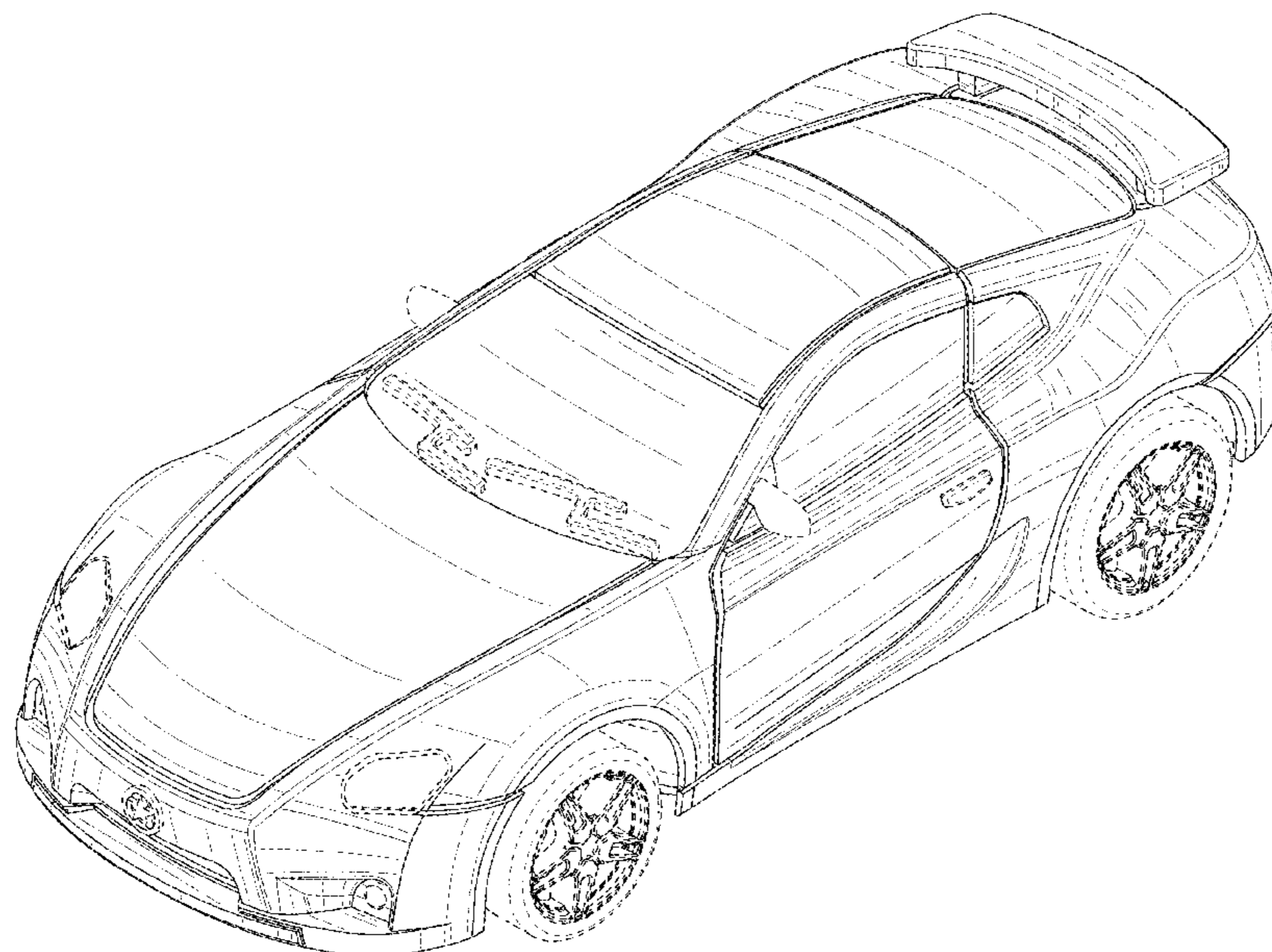
In the drawings, the broken lines depict environmental subject matter only and form no part of the claimed design.

1 Claim, 7 Drawing Sheets

(56) **References Cited**

U.S. PATENT DOCUMENTS

- D455,102 S * 4/2002 Crijns D12/92
- D469,387 S * 1/2003 Ramaciotti D12/88
- D491,843 S * 6/2004 Giugiaro D12/88
- D498,707 S * 11/2004 Desmond D12/92
- D506,161 S * 6/2005 Stephenson D12/92



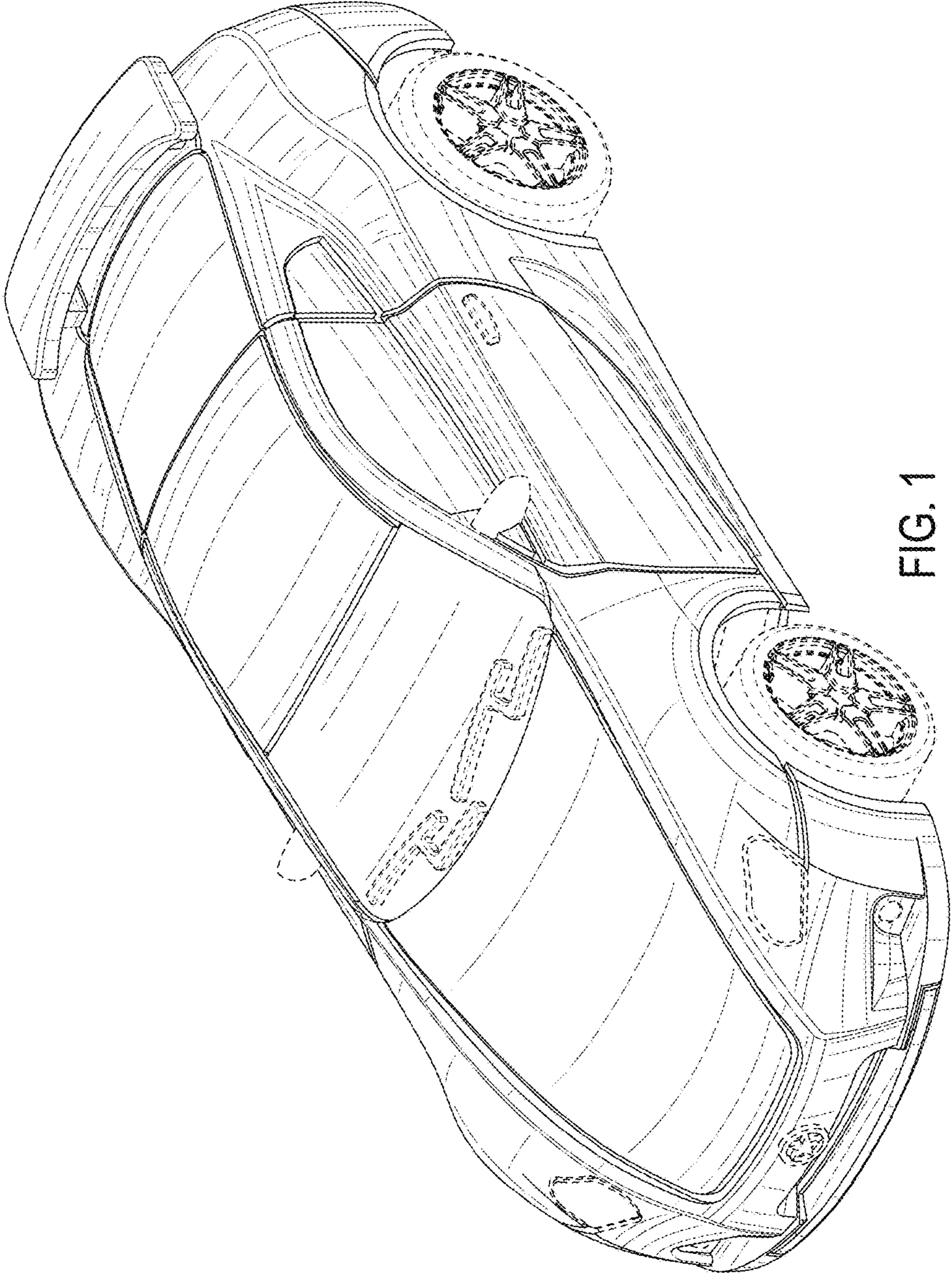


FIG. 1

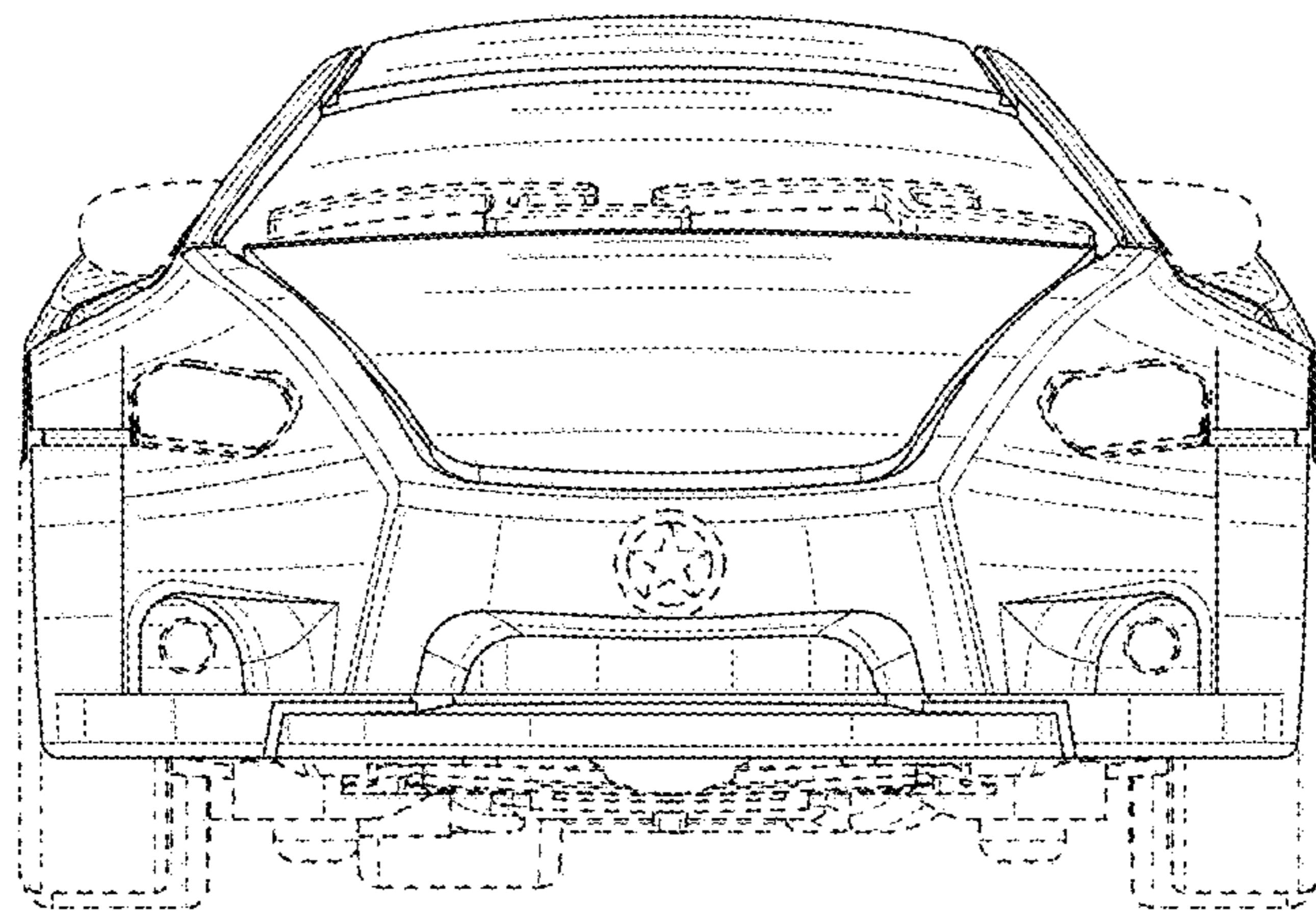


FIG. 2

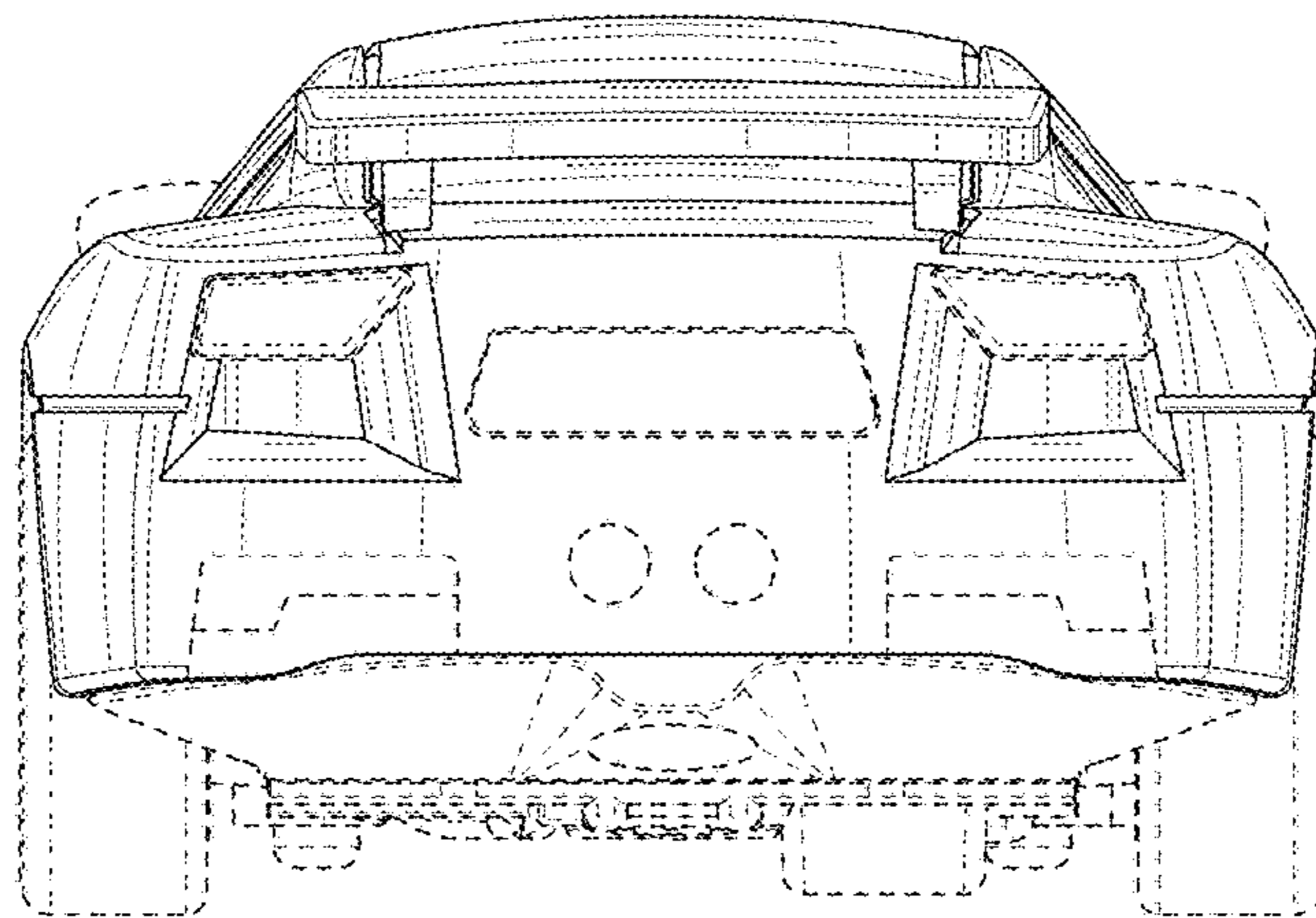


FIG. 3

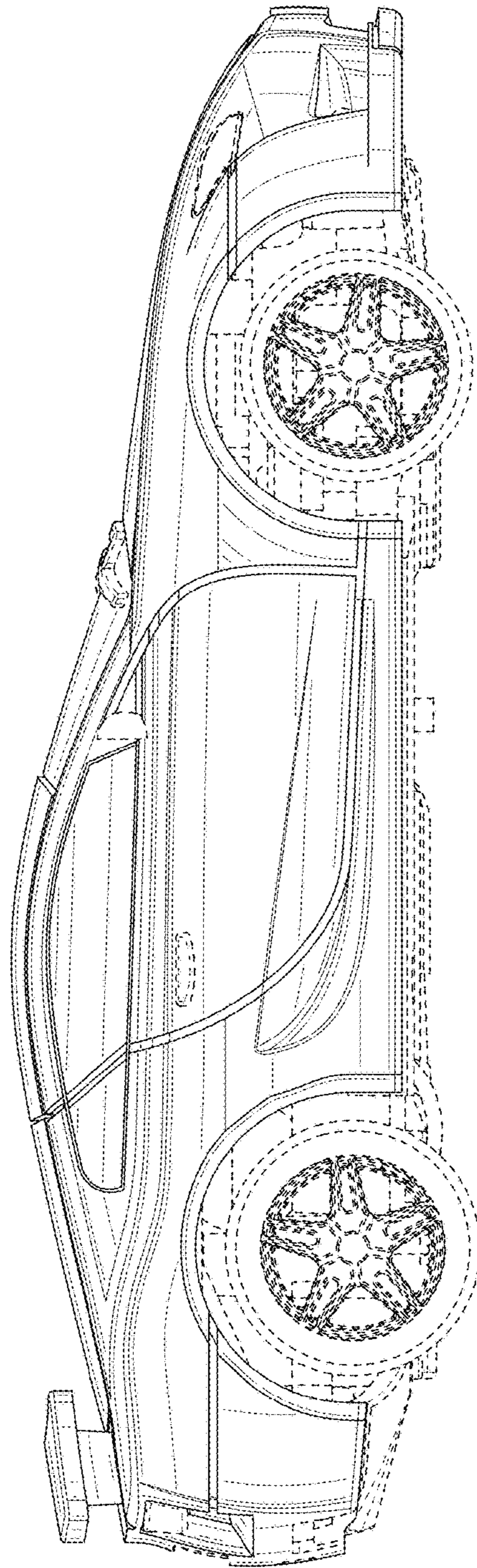


FIG. 4

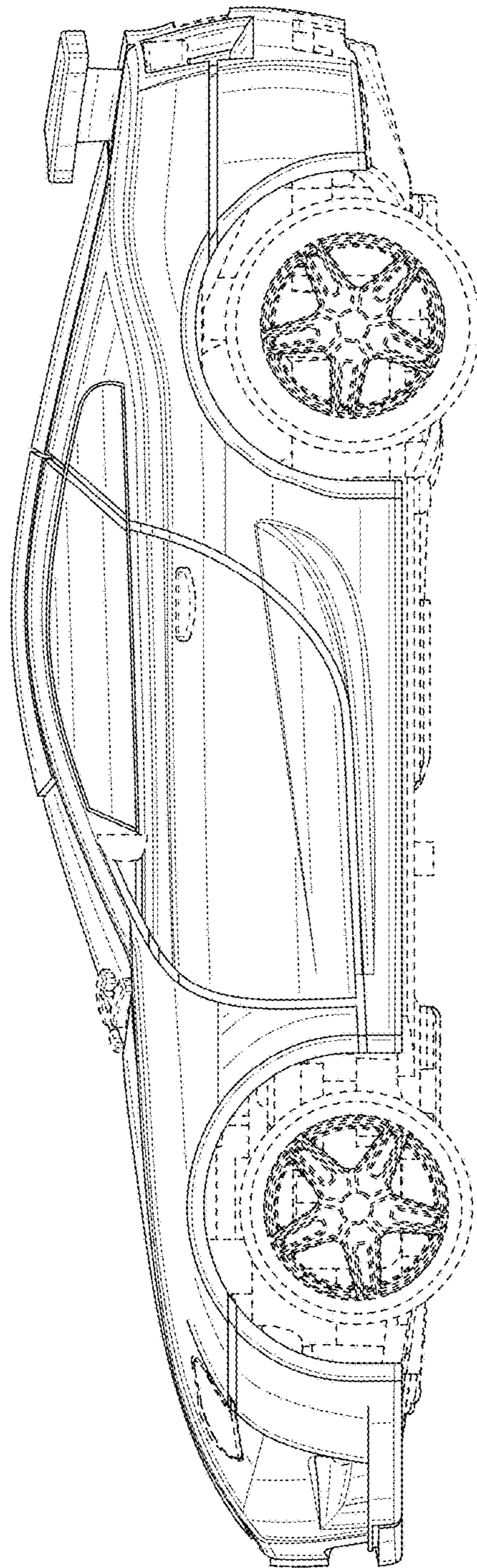


FIG. 5

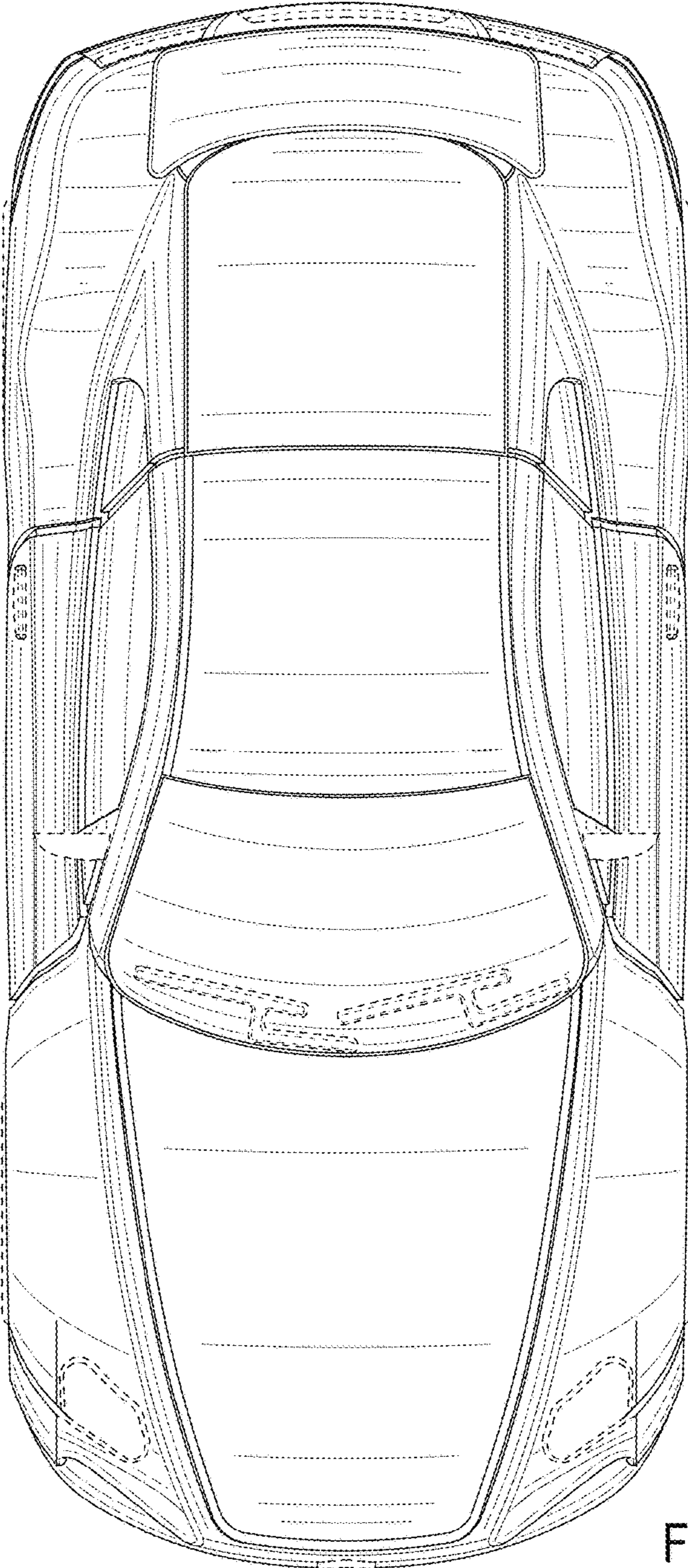


FIG. 6

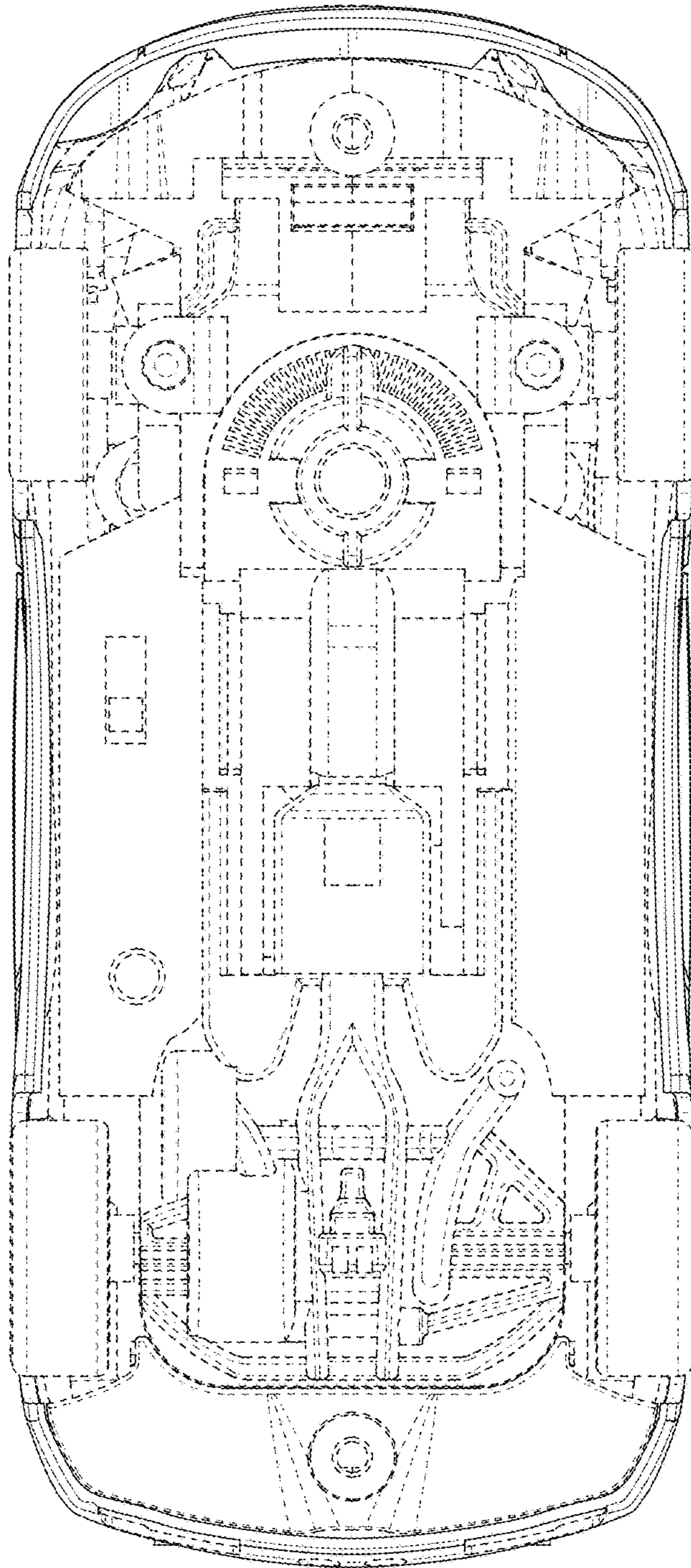


FIG. 7