



US00D852897S

(12) **United States Design Patent**
Naito

(10) **Patent No.:** **US D852,897 S**
(45) **Date of Patent:** **** Jul. 2, 2019**

(54) **TOY HOUSE**

(71) Applicant: **EPOCH COMPANY, LTD**, Taito-ku,
Tokyo (JP)

(72) Inventor: **Sachiko Naito**, Tokyo (JP)

(73) Assignee: **EPOCH COMPANY LTD**, Tokyo (JP)

(**) Term: **15 Years**

(21) Appl. No.: **29/645,138**

(22) Filed: **Apr. 24, 2018**

(30) **Foreign Application Priority Data**

Oct. 25, 2017 (JP) 2017-023694

(51) **LOC (11) Cl.** **21-01**

(52) **U.S. Cl.**
USPC **D21/510**

(58) **Field of Classification Search**

USPC D21/506-511; D25/1, 10, 32; D9/636,
D9/637, 640, 433

CPC . A63H 3/00; A63H 3/52; A63H 33/00; A63H
33/008; A63H 33/044; B65D 81/368;
A63B 9/00

See application file for complete search history.

(56) **References Cited**

U.S. PATENT DOCUMENTS

5,938,566 A * 8/1999 Rodriguez-Ferre A63B 9/00
446/476
D710,457 S * 8/2014 Kawashima D21/506

D783,732 S * 4/2017 Nanjo D21/509
D783,734 S * 4/2017 Iwasaki D21/510
D817,413 S * 5/2018 Kamiyama D21/506
D823,947 S * 7/2018 Kamiyama D21/506
D825,679 S * 8/2018 Kamiyama D21/506
2005/0287926 A1* 12/2005 Marine A63H 3/52
446/479

* cited by examiner

Primary Examiner — Cynthia M. Chin

(74) *Attorney, Agent, or Firm* — Fitzgerald IP Law; John
K Fitzgerald

(57) **CLAIM**

The ornamental design for a toy house, as shown and
described.

DESCRIPTION

FIG. 1 is a front perspective view of a toy house showing my
new design;
FIG. 2 is a rear perspective view thereof;
FIG. 3 is a front view thereof;
FIG. 4 is a rear view thereof;
FIG. 5 is a top plan view thereof;
FIG. 6 is a left side view thereof; and,
FIG. 7 is a right side view thereof.

The broken lines shown are included for the purpose of
illustrating portions of the article which form no part of the
claimed design.

1 Claim, 7 Drawing Sheets

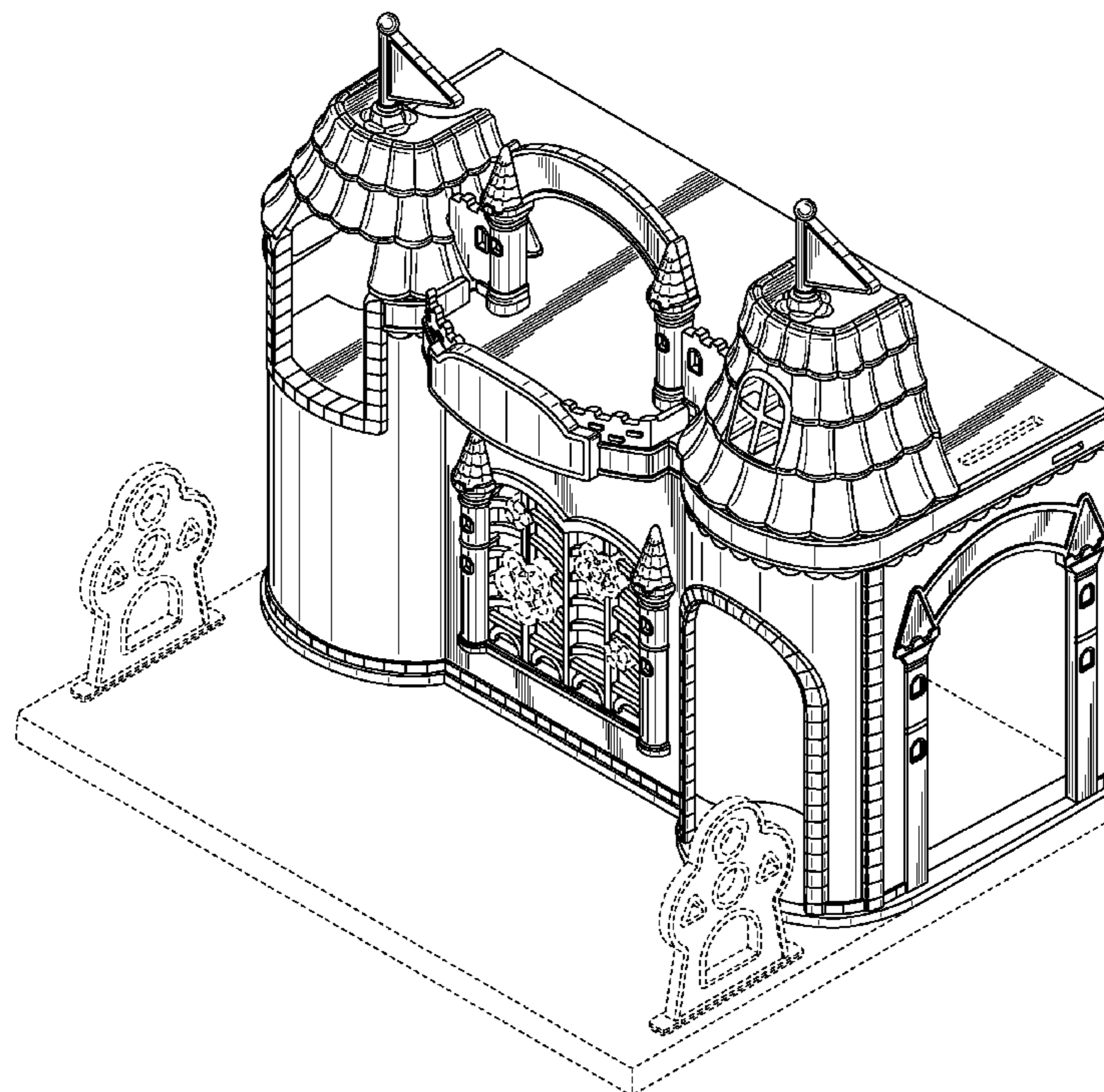


FIG. 1

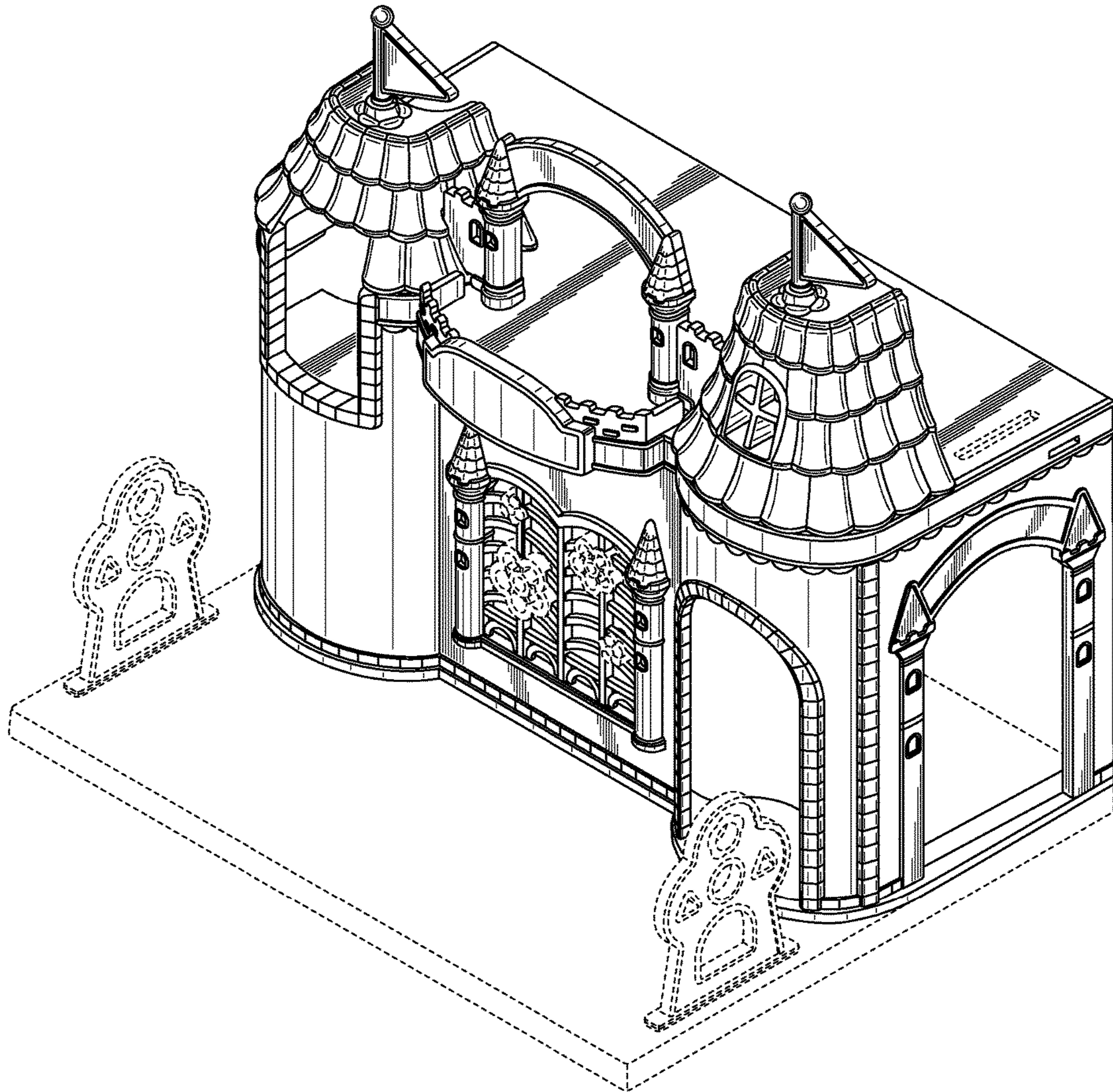


FIG. 2

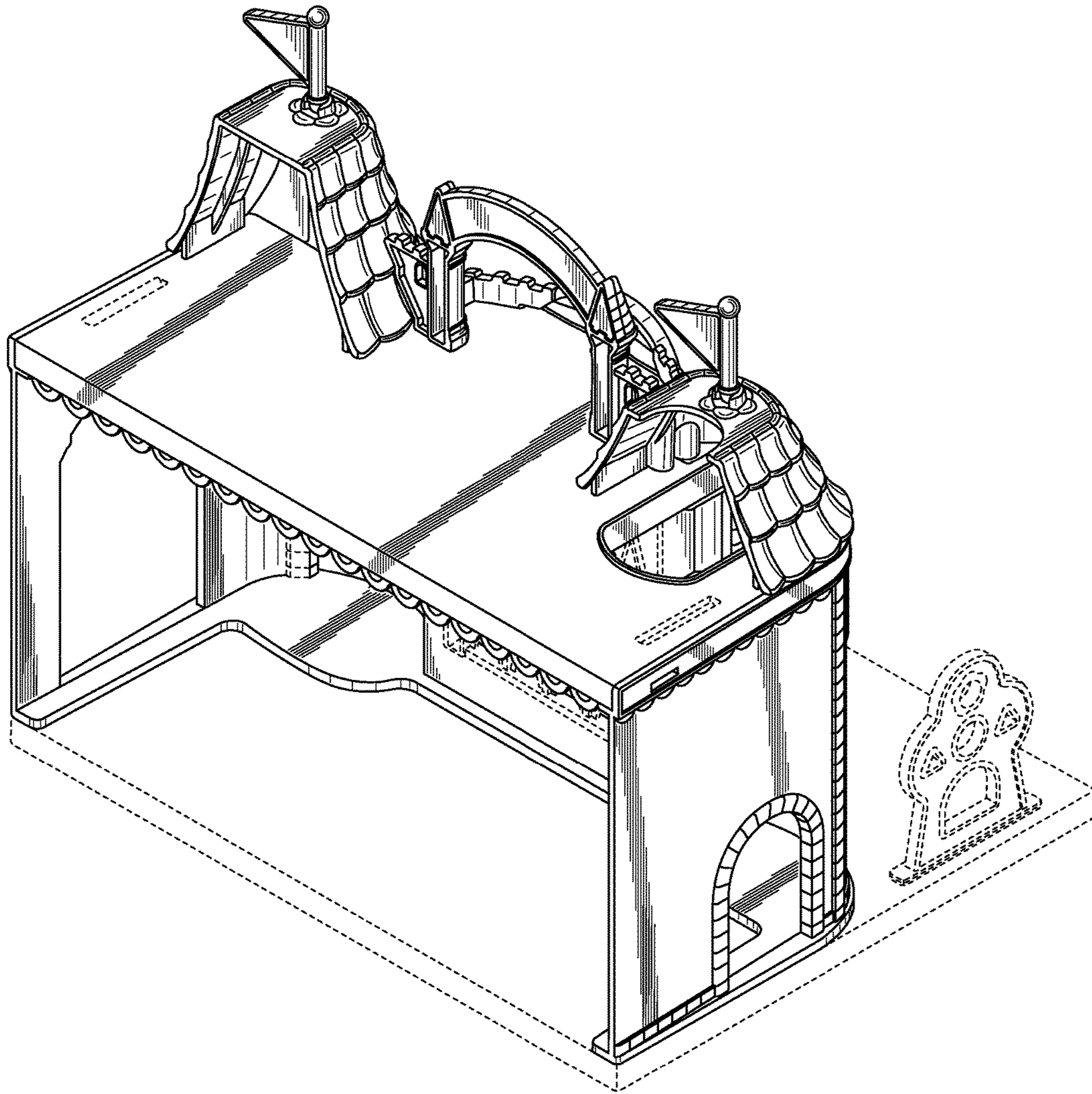


FIG. 3

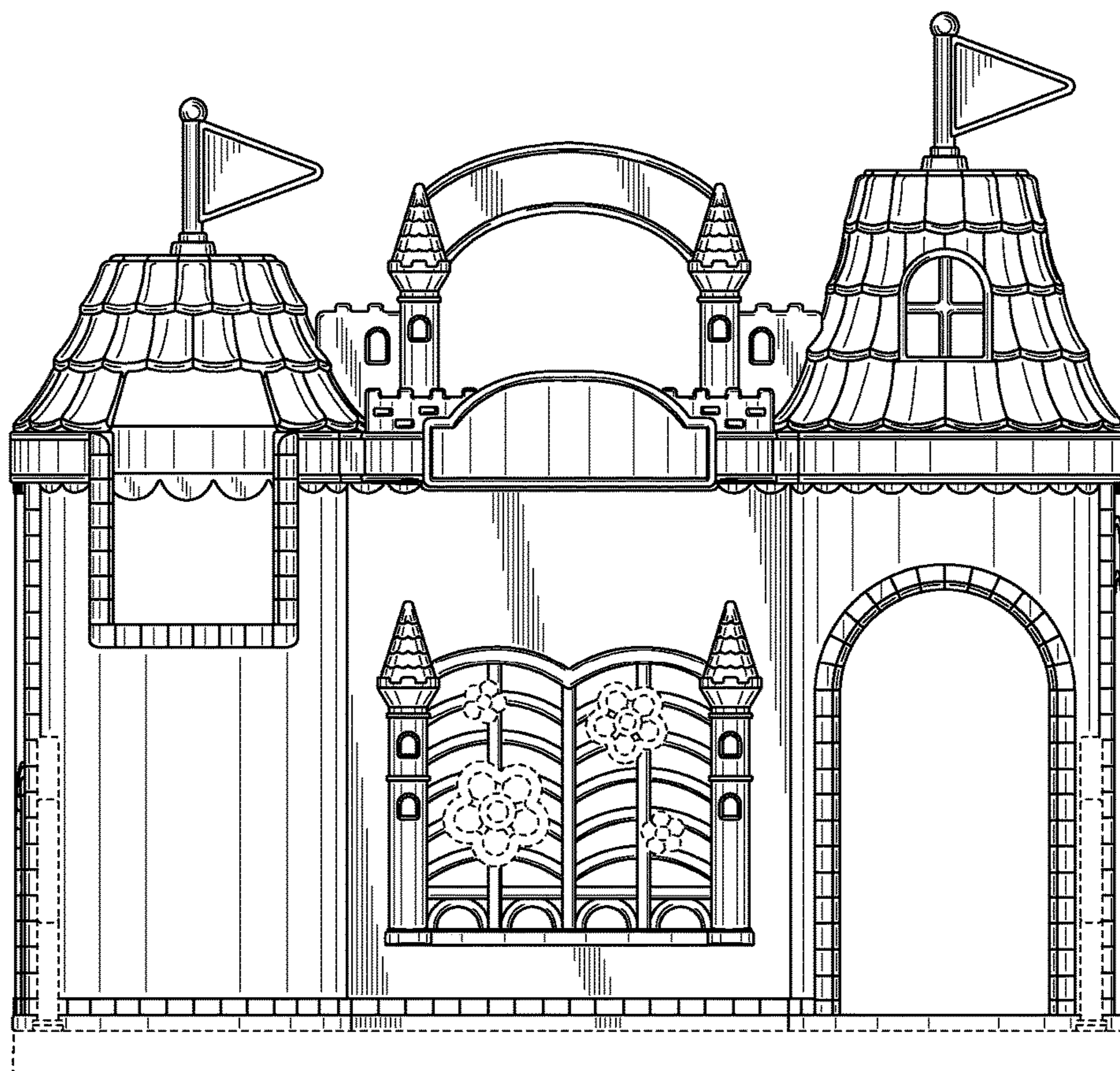


FIG. 4

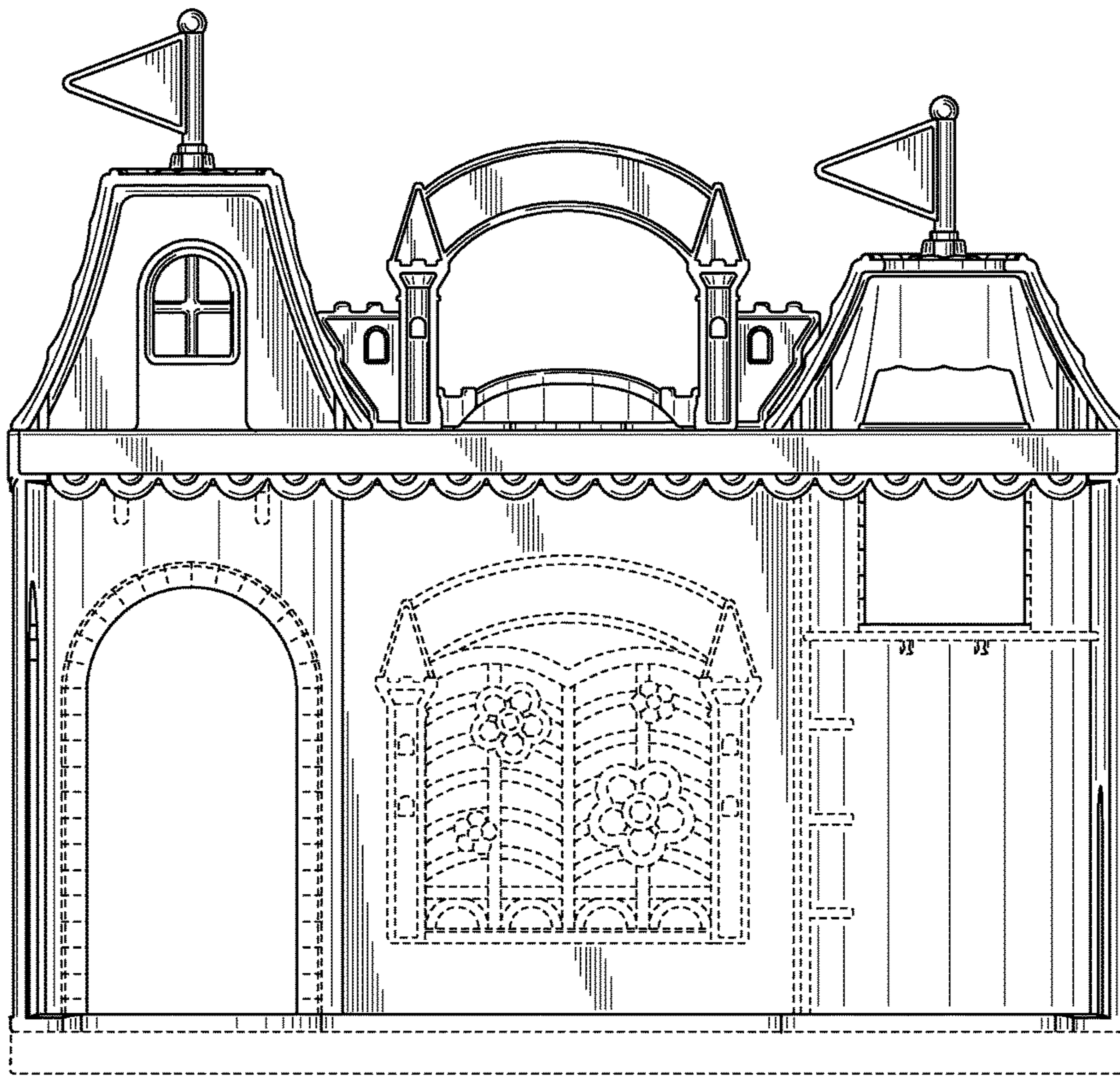


FIG. 5

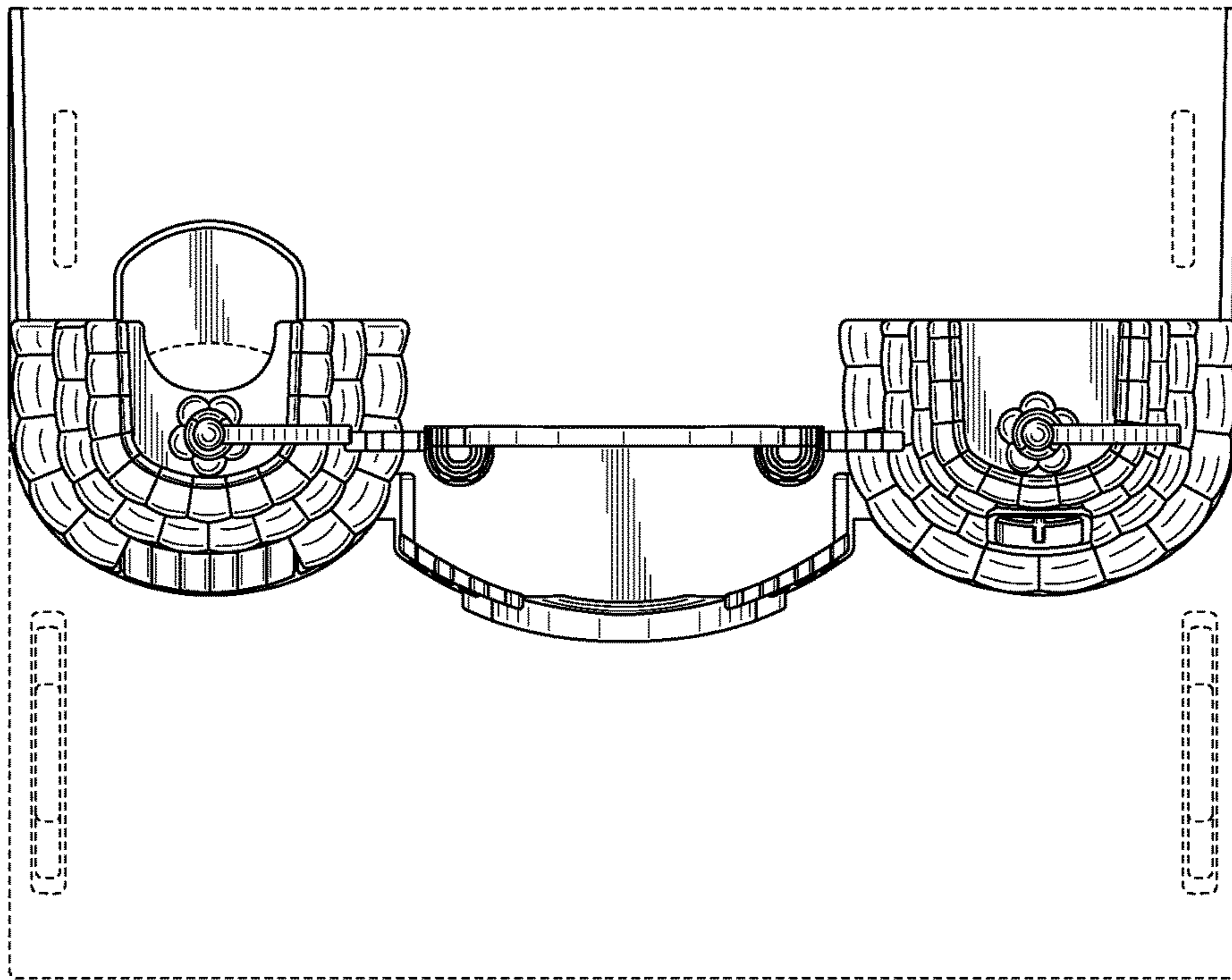


FIG. 6

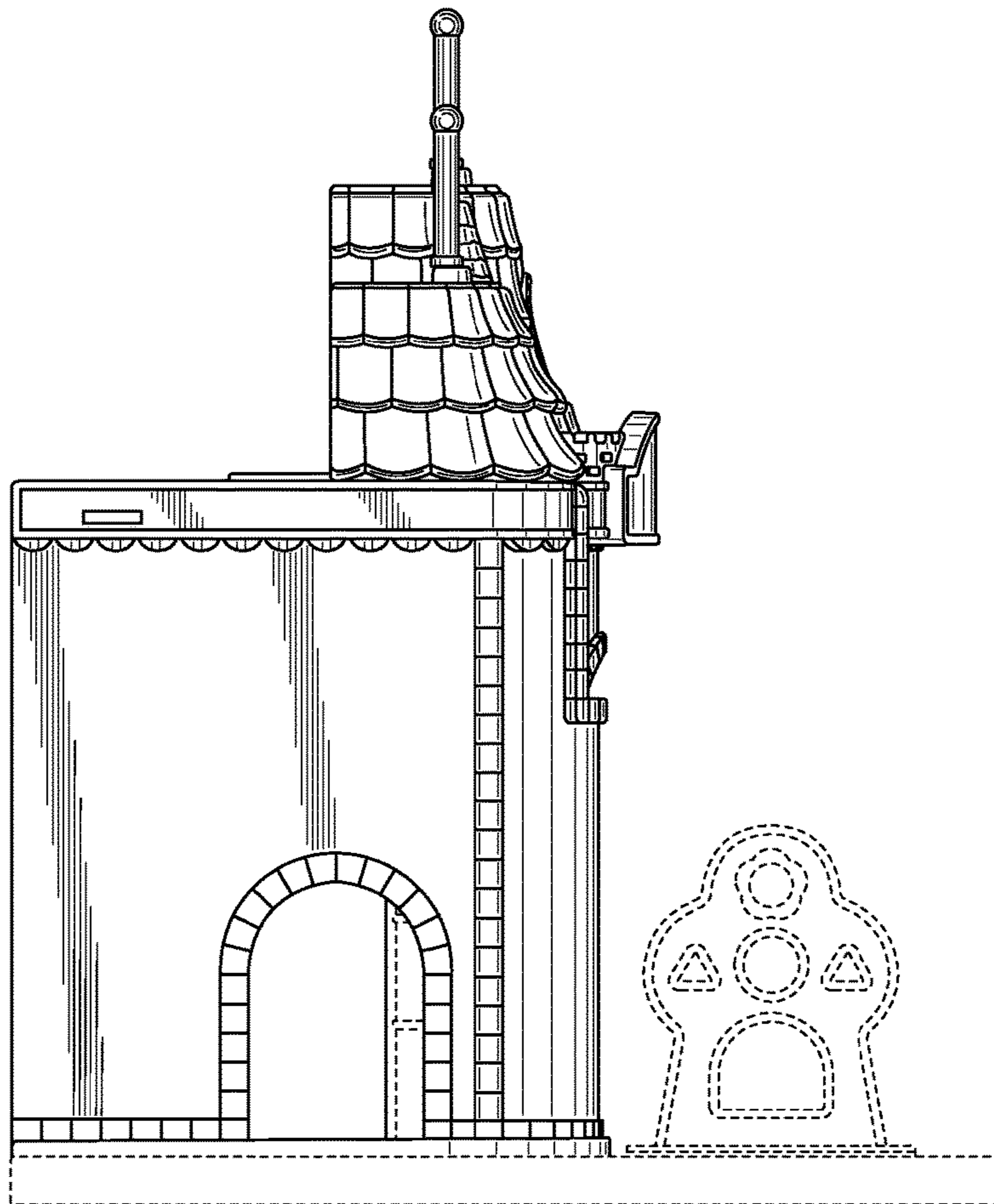


FIG. 7

