



US00D852896S

(12) **United States Design Patent** (10) **Patent No.:** **US D852,896 S**
Semling (45) **Date of Patent:** **** Jul. 2, 2019**

(54) **TOY BUILDING BRICK**
(71) Applicant: **Brian's Toys Inc.**, Fountain City, WI (US)
(72) Inventor: **Brian Semling**, Fountain City, WI (US)
(**) Term: **15 Years**
(21) Appl. No.: **29/649,498**

D630,685 S * 1/2011 Bodin D21/499
D702,774 S * 4/2014 Wizenberg D21/499
D741,414 S * 10/2015 Lu D21/499
D760,324 S * 6/2016 Akimoto D21/499
D765,189 S * 8/2016 Kiribuchi D21/499
D776,205 S * 1/2017 Facey D21/499
D806,179 S * 12/2017 Simonds D21/499
D806,180 S * 12/2017 Simonds D21/499
D806,804 S * 1/2018 Simonds D21/499
D832,935 S * 11/2018 Wakim D21/499
2005/0191932 A1 * 9/2005 Lin A63H 33/086
446/85

(22) Filed: **May 30, 2018**
(51) **LOC (11) Cl.** **21-01**
(52) **U.S. Cl.**
USPC **D21/499**
(58) **Field of Classification Search**
USPC D21/333, 373, 386, 389, 404, 468, 470,
D21/471, 475, 484-505; D3/304, 314;
D24/101; D9/640
CPC A63H 33/04; A63H 33/06; A63H 33/062;
A63H 33/08; A63H 33/088; A63F 9/12;
A63F 9/1224
See application file for complete search history.

* cited by examiner

Primary Examiner — Cynthia M. Chin

(57) **CLAIM**

The ornamental design for a toy building brick, as shown and described.

DESCRIPTION

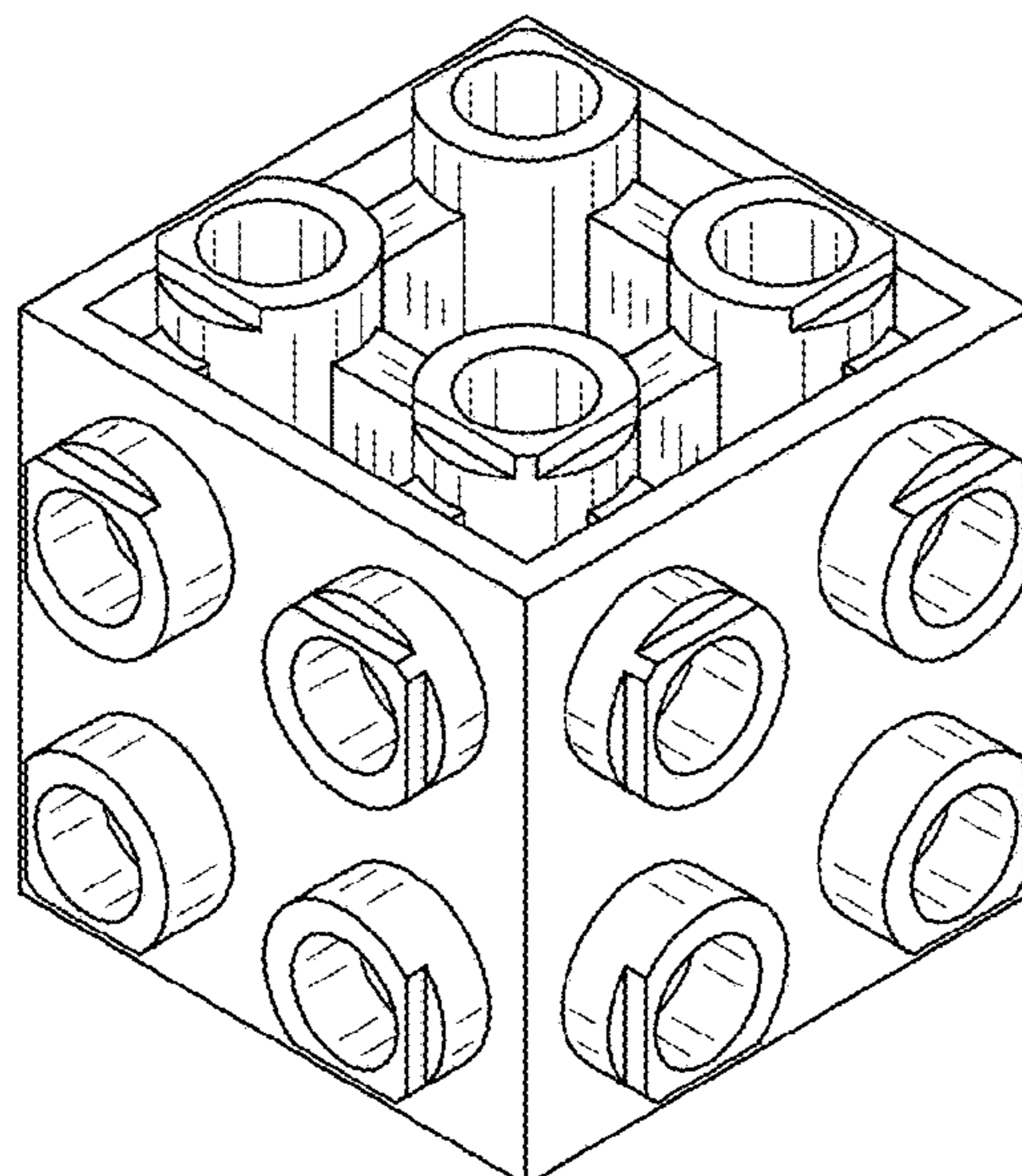
FIG. 1 is a front right and top isometric view of a toy building brick showing my new design, a rear left and bottom isometric view being a mirror image thereof;
FIG. 2 is a top view of the toy building brick, a bottom view being a mirror image thereof;
FIG. 3 is a front view of the toy building brick, a rear view being a mirror image thereof;
FIG. 4 is a cross-section taken along line 4-4 of FIG. 2 of the toy building brick to show a depth of wells extending therein; and,
FIG. 5 is a cross-sectional view of the toy building brick taken along line 5-5 of FIG. 2 to a depth of wells extending therein.

(56) **References Cited**

U.S. PATENT DOCUMENTS

D296,342 S * 6/1988 Knudsen D21/499
D336,666 S * 6/1993 Knudsen D21/501
D343,427 S * 1/1994 Sher 446/128
D413,636 S * 9/1999 Laserna Fernandez D21/499
D512,108 S * 11/2005 Lin D21/499
7,347,028 B1 * 3/2008 Bin-Nun A63H 33/086
446/112
D614,248 S * 4/2010 Pedersen D21/499

1 Claim, 3 Drawing Sheets



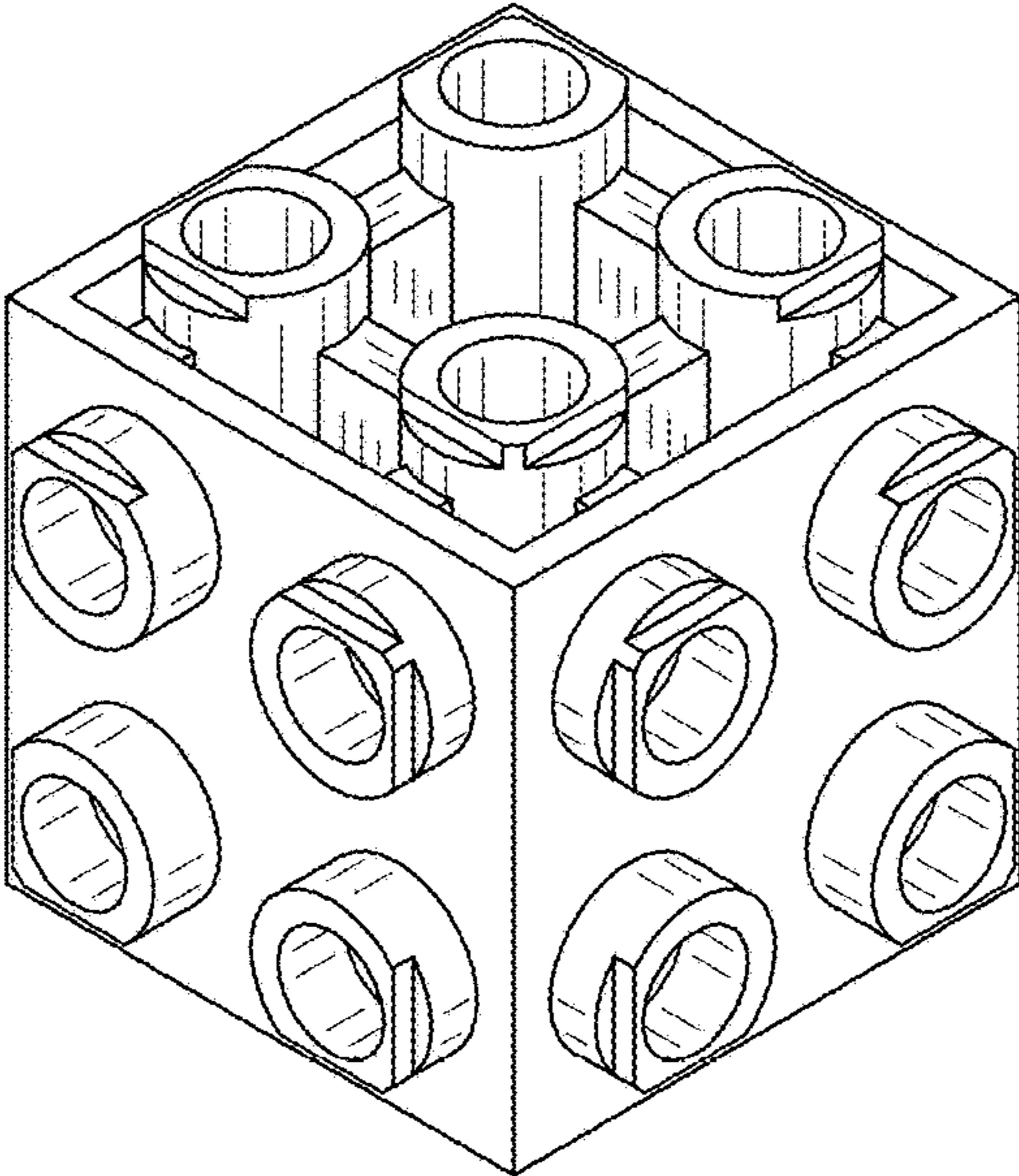


FIG. 1

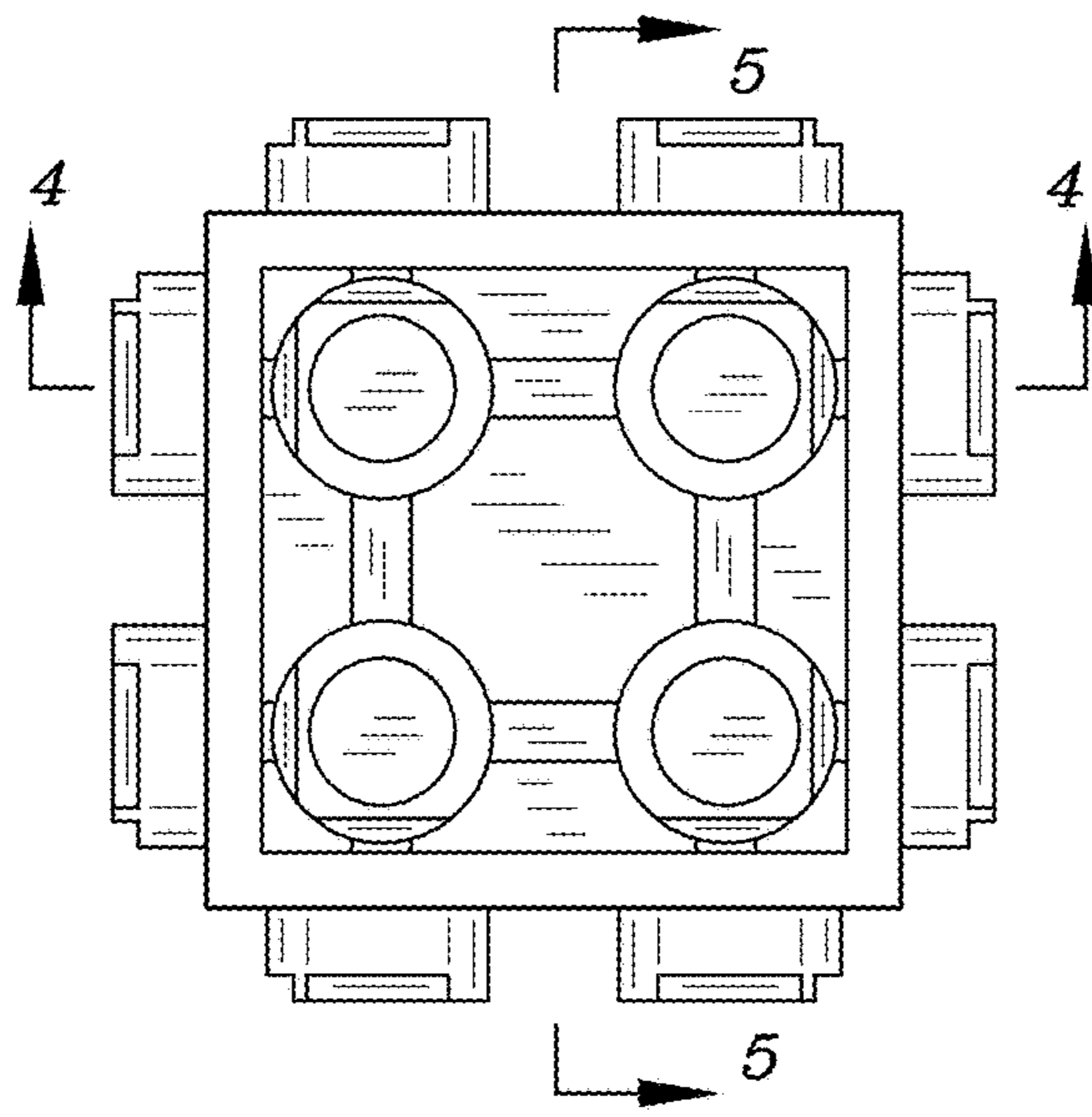


FIG. 2

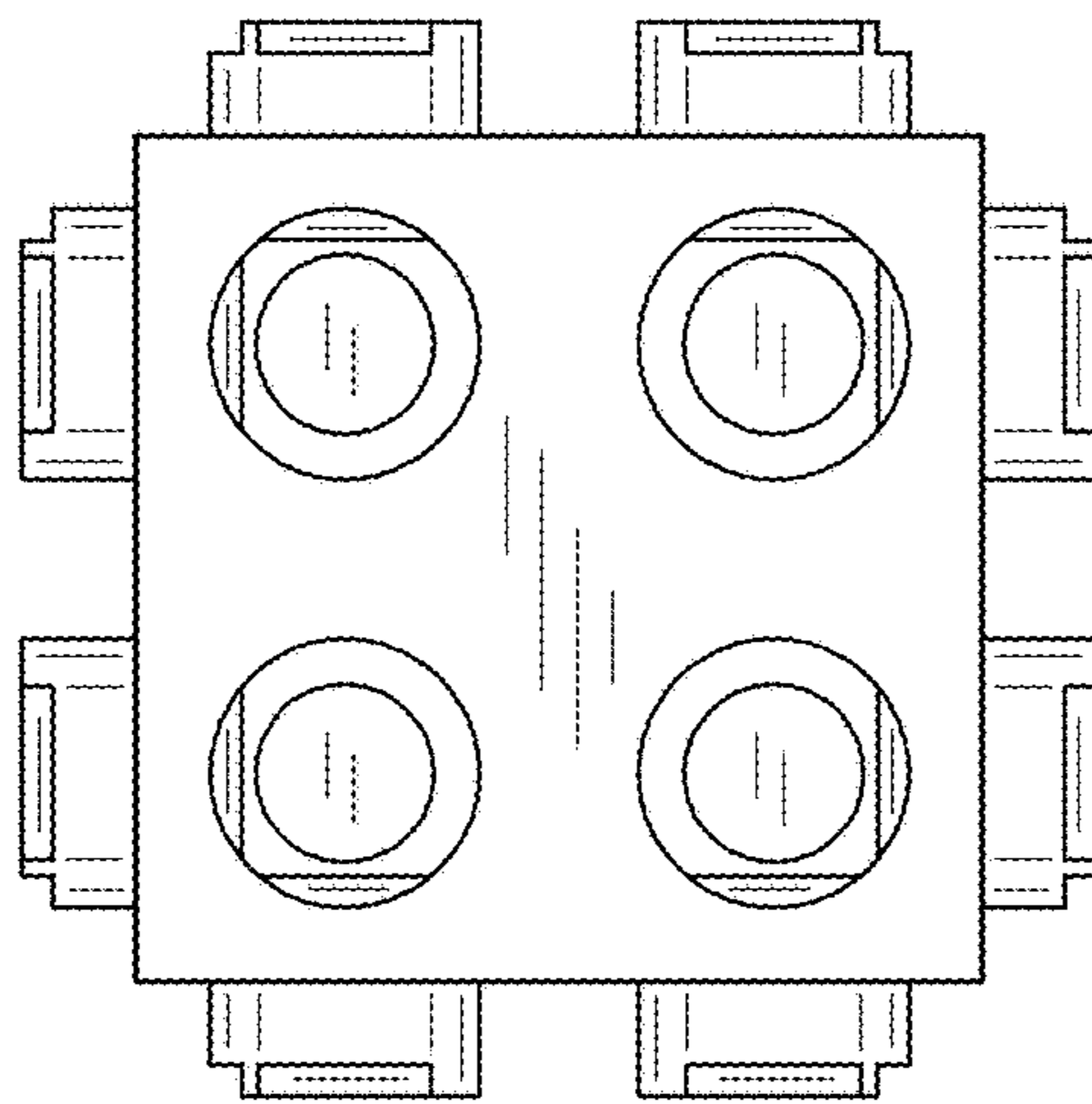


FIG. 3

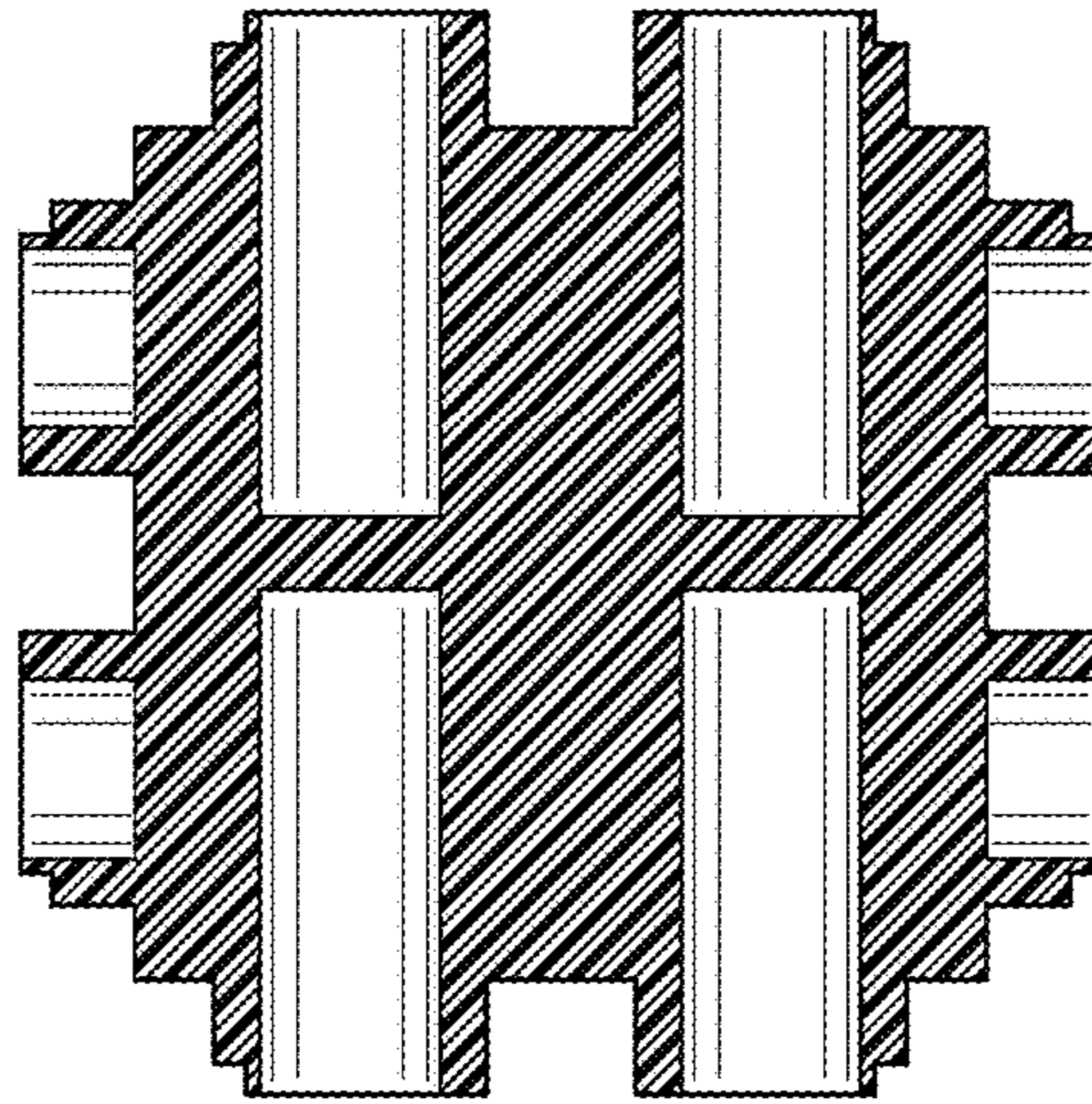


FIG. 4

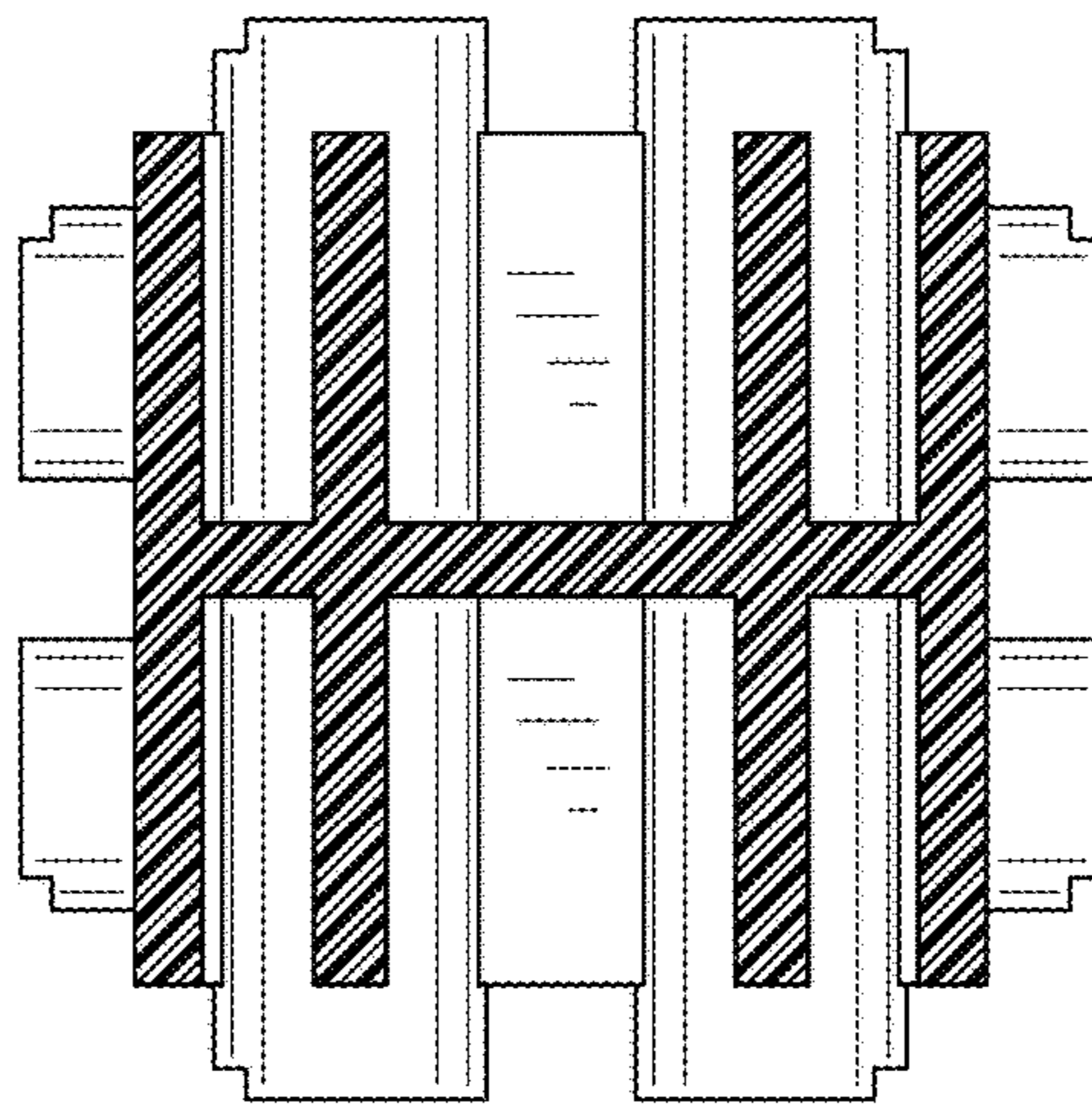


FIG. 5