



US00D852895S

(12) **United States Design Patent**
Saito et al.

(10) **Patent No.:** **US D852,895 S**
(45) **Date of Patent:** **** Jul. 2, 2019**

(54) **LAUNCHING APPARATUS FOR SPINNING TOP TOY**

(71) Applicant: **TOMY COMPANY, LTD.**, Tokyo (JP)

(72) Inventors: **Shina Saito**, Tokyo (JP); **Hiroyuki Hama**, Tokyo (JP)

(73) Assignee: **TOMY COMPANY, LTD.**, Tokyo (JP)

(**) Term: **15 Years**

(21) Appl. No.: **29/643,820**

(22) Filed: **Apr. 12, 2018**

(30) **Foreign Application Priority Data**

Oct. 19, 2017 (JP) 2017-023178

(51) **LOC (11) Cl.** **21-01**

(52) **U.S. Cl.**
USPC **D21/461**

(58) **Field of Classification Search**
USPC D21/454, 455-464, 561, 566, 570;
446/38-45, 236-266, 429, 430, 462, 489
CPC A63H 1/00-06; A63H 1/12; A63H 17/008;
A63H 27/14; A63H 29/00; A63H 29/20;
A63H 29/24; A63H 31/06; A63H 31/08;
A63F 9/16

See application file for complete search history.

(56) **References Cited**

U.S. PATENT DOCUMENTS

77,072 A * 4/1868 Minor A63H 1/06
446/248
D58,526 S * 7/1921 Zbikowski D21/461
1,720,498 A * 7/1929 Wahlstrom A63H 1/04
446/263
1,890,043 A * 12/1932 Murphree A63H 1/04
446/263

D166,714 S * 5/1952 Riordan D21/454
D199,536 S * 11/1964 Salayka D21/461
6,743,070 B1 * 6/2004 Lin A63H 1/02
446/15
D610,211 S * 2/2010 Nishimoto D21/461
D616,043 S * 5/2010 Ujita D21/461
D639,349 S * 6/2011 Horikoshi D21/461
9,435,820 B1 * 9/2016 Muraki G01P 3/486
D790,635 S * 6/2017 Horikoshi D21/461
D816,781 S * 5/2018 Horikoshi D21/461

(Continued)

FOREIGN PATENT DOCUMENTS

CA 2920495 A1 * 2/2015 A63H 1/04
CN 300846725 * 11/2008

(Continued)

Primary Examiner — Catherine A Tuttle

(74) *Attorney, Agent, or Firm* — Oliff PLC

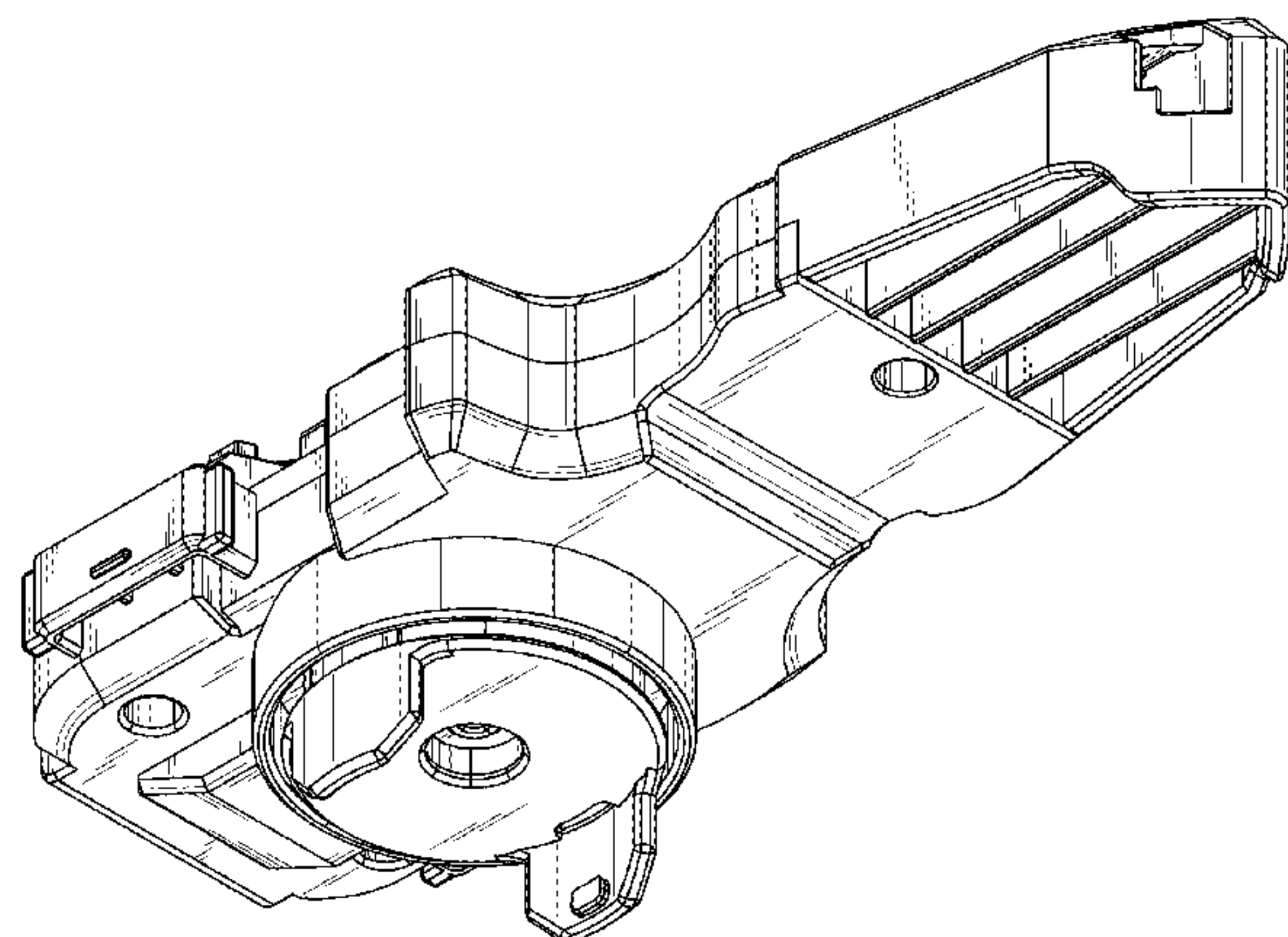
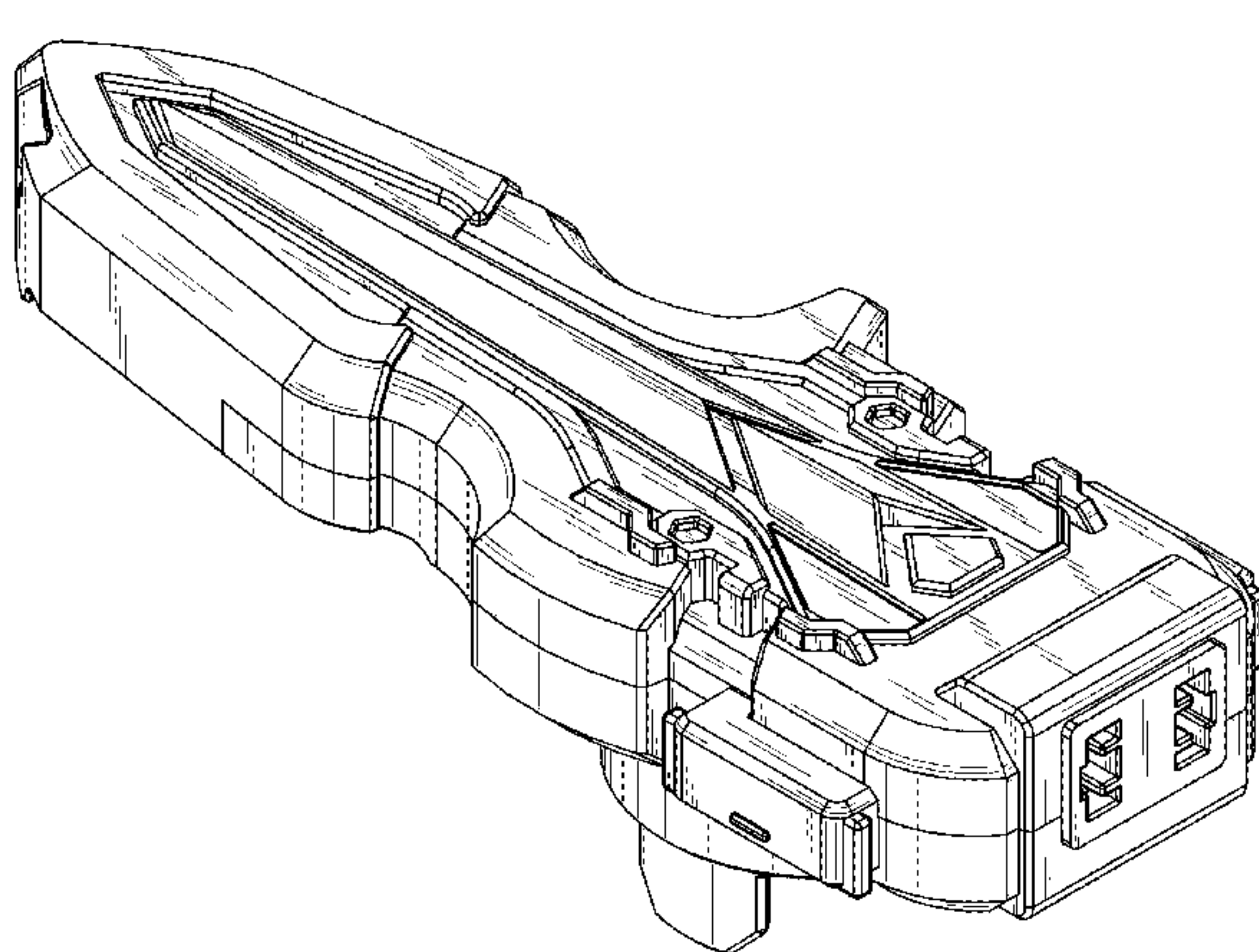
(57) **CLAIM**

The ornamental design for a launching apparatus for spinning top toy, as shown and described.

DESCRIPTION

FIG. 1 is a front elevational view of the launching apparatus for spinning top toy;
FIG. 2 is a left-side elevational view thereof;
FIG. 3 is a rear elevational view thereof;
FIG. 4 is a right-side elevational view thereof;
FIG. 5 is a top plan view thereof;
FIG. 6 is a bottom plan view thereof;
FIG. 7 is a front, right-side, top perspective view thereof;
FIG. 8 is a rear, left-side, top perspective view thereof;
FIG. 9 is a front, right-side, bottom perspective view thereof;
and,
FIG. 10 is a rear, left-side, bottom perspective view thereof.

1 Claim, 10 Drawing Sheets



(56)

References Cited

U.S. PATENT DOCUMENTS

D825,677 S * 8/2018 Kitamura D21/461
D838,317 S * 1/2019 Saito D21/461

FOREIGN PATENT DOCUMENTS

CN 301457974 * 2/2011
CN 302243715 * 12/2012
CN 302606941 * 10/2013
CN 302826432 * 5/2014
CN 303960465 * 12/2016
CN 304567266 * 4/2018
EP 0659456 A2 * 6/1995 A63H 1/02
GB 136741 A * 12/1919 A63H 1/02
JP 3164823 U * 12/2010 A63H 1/12

* cited by examiner

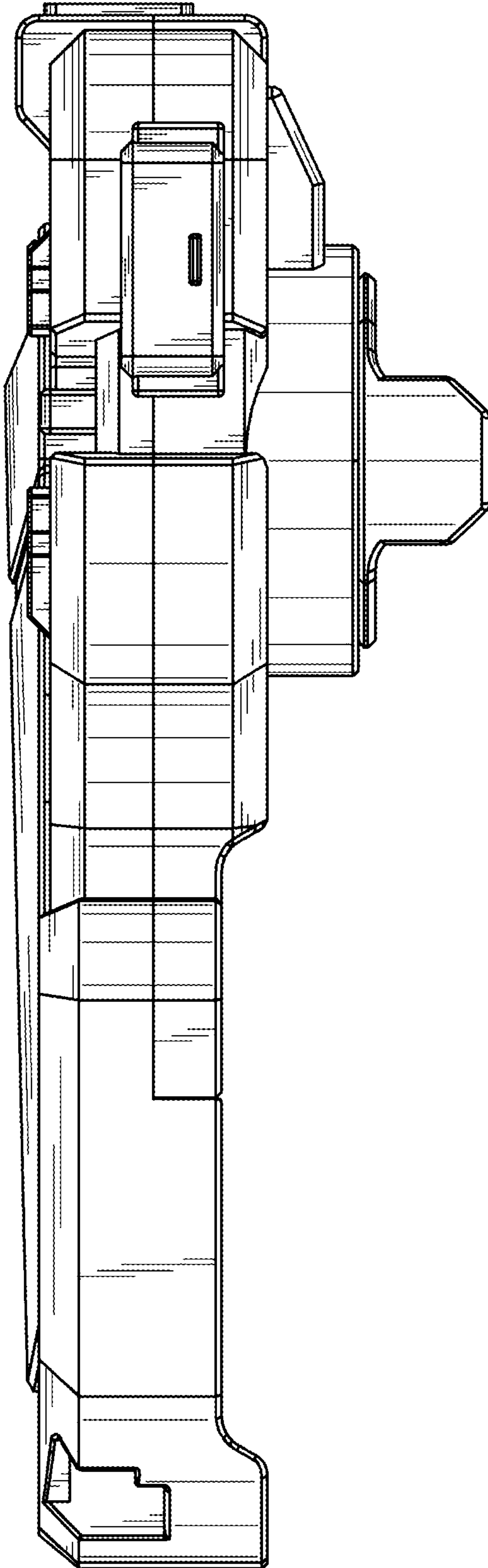


FIG. 1

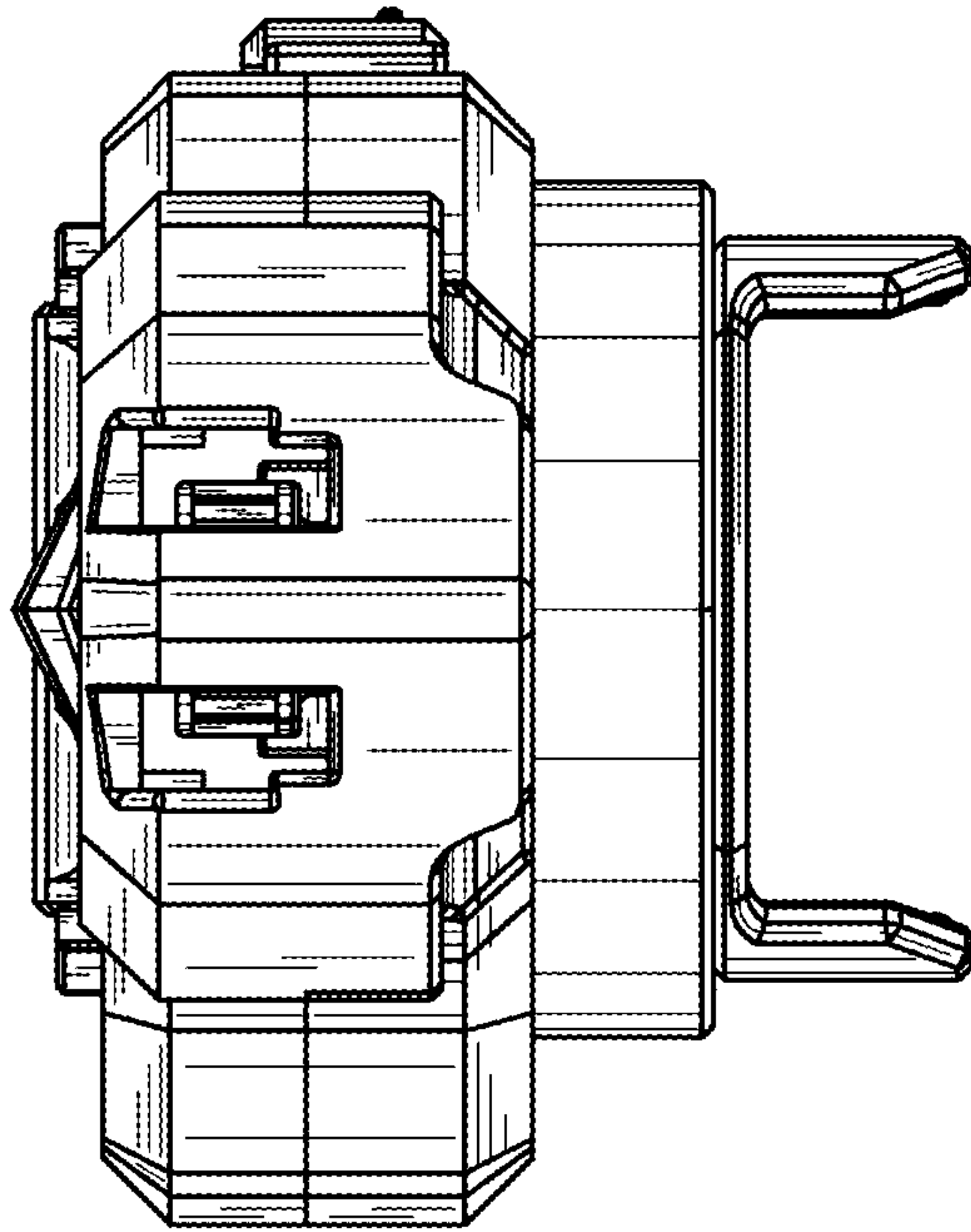


FIG. 2

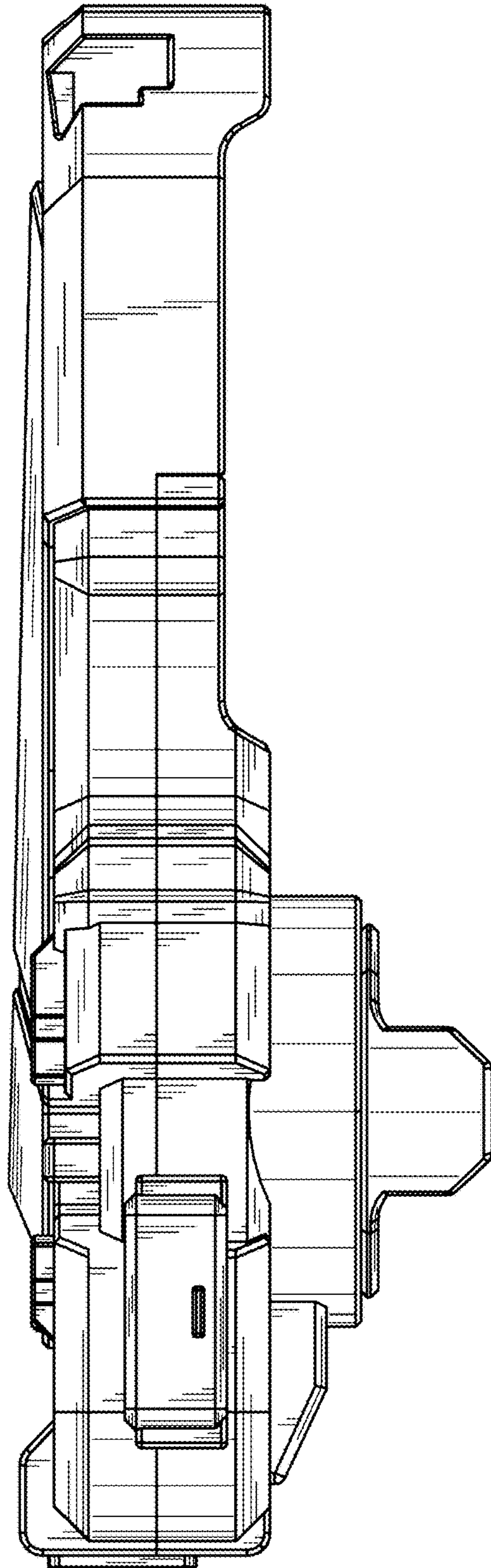


FIG. 3

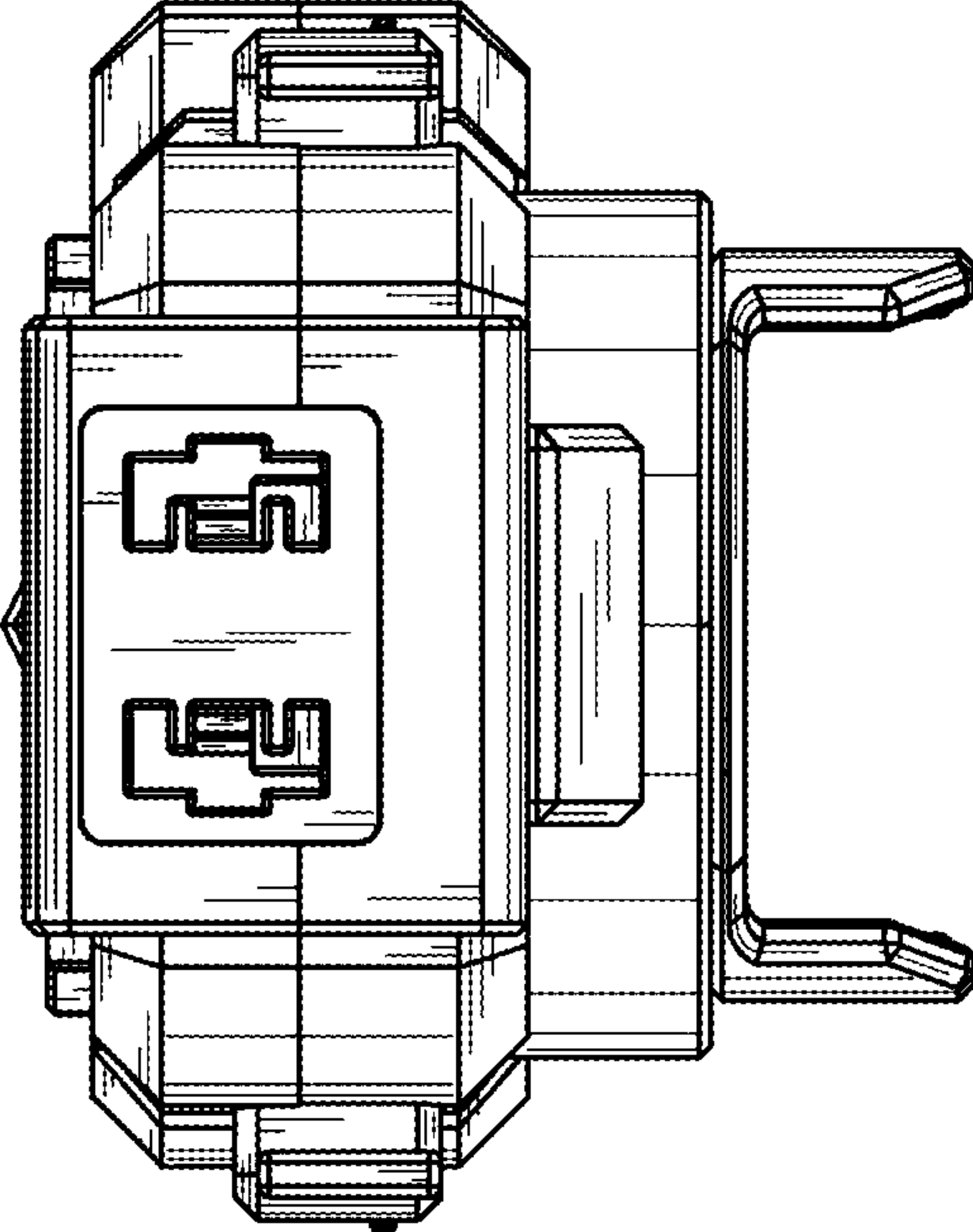


FIG. 4

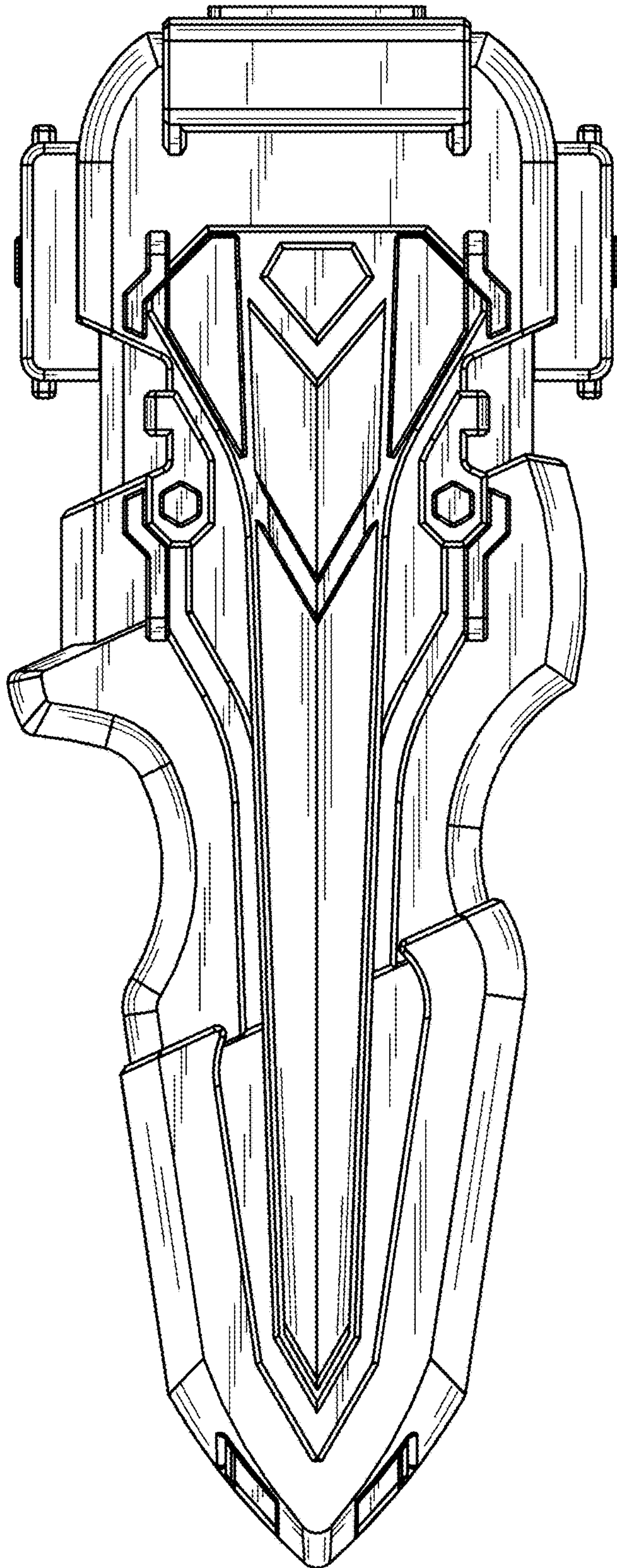


FIG. 5

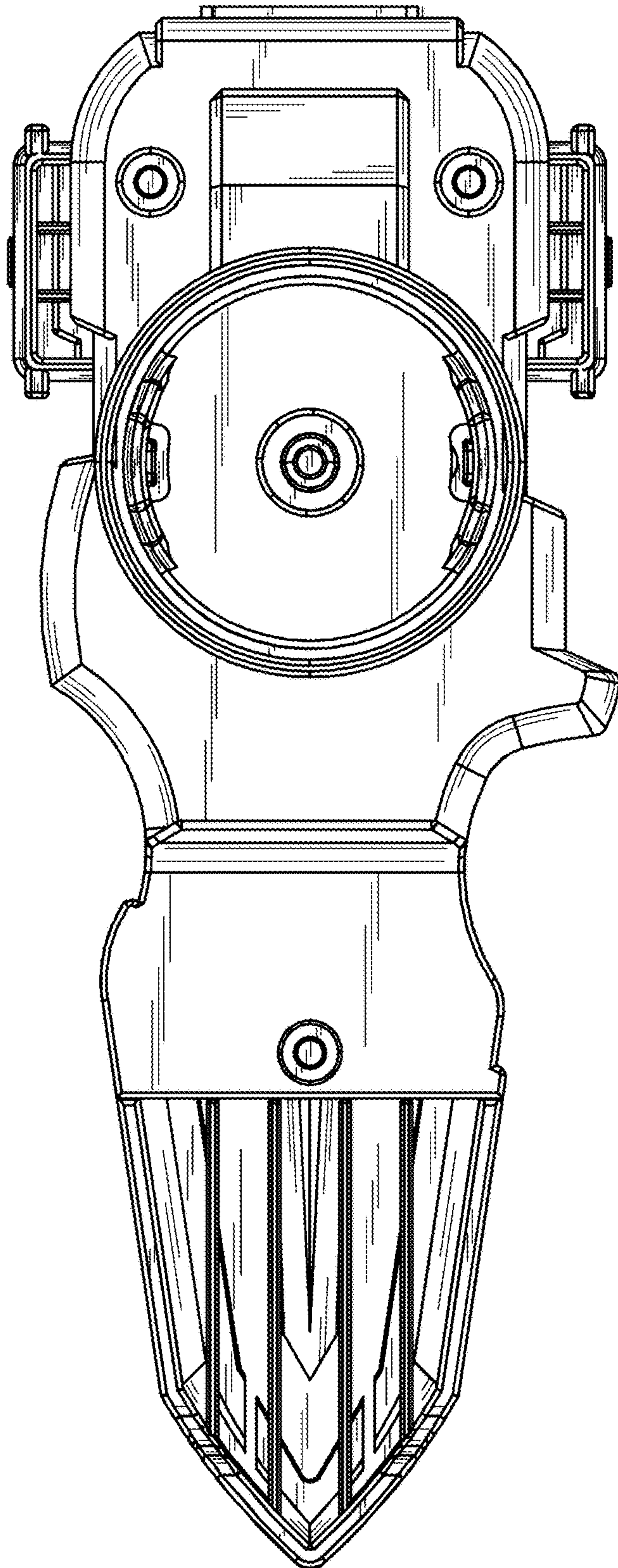


FIG. 6

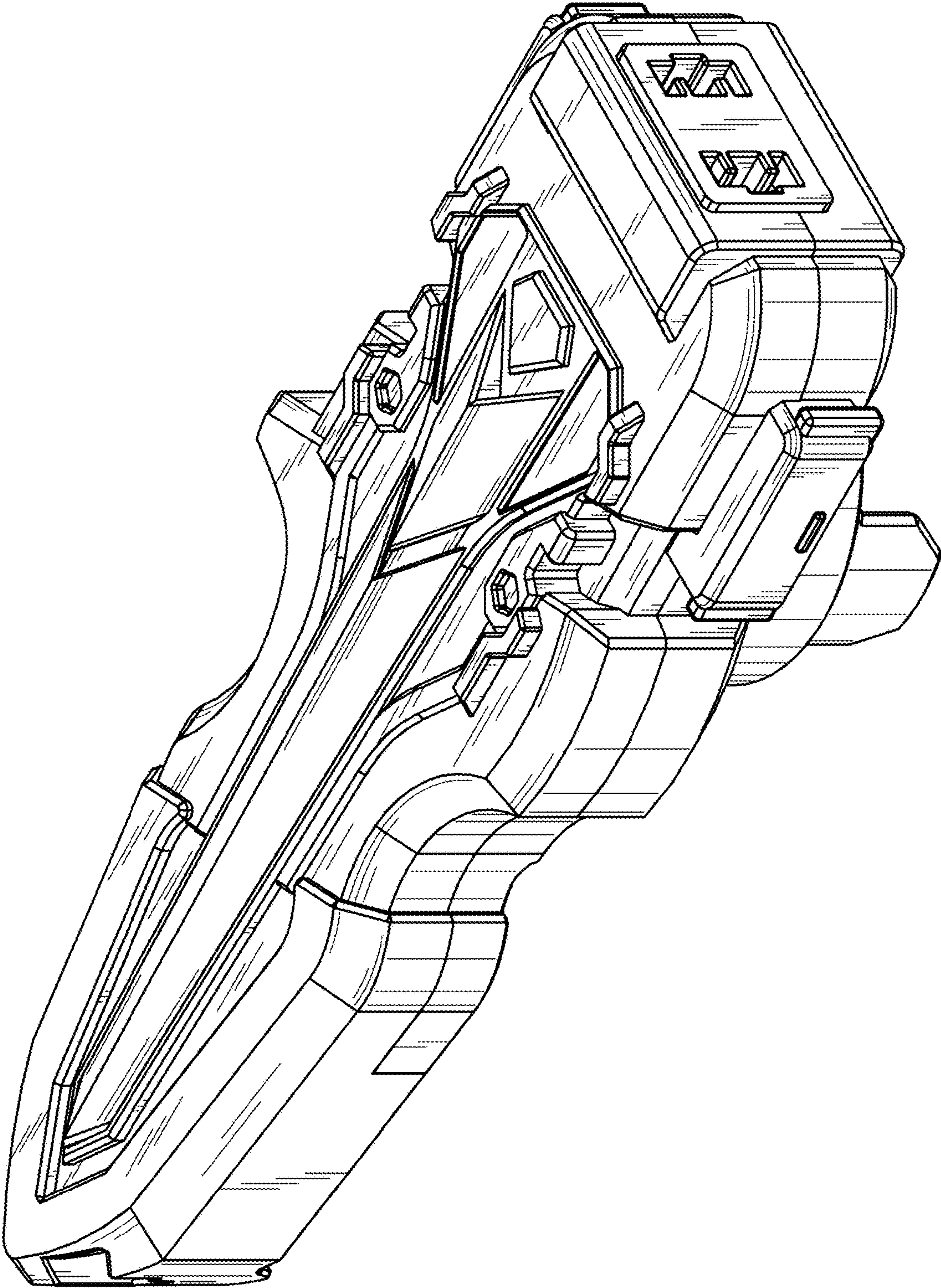


FIG. 7

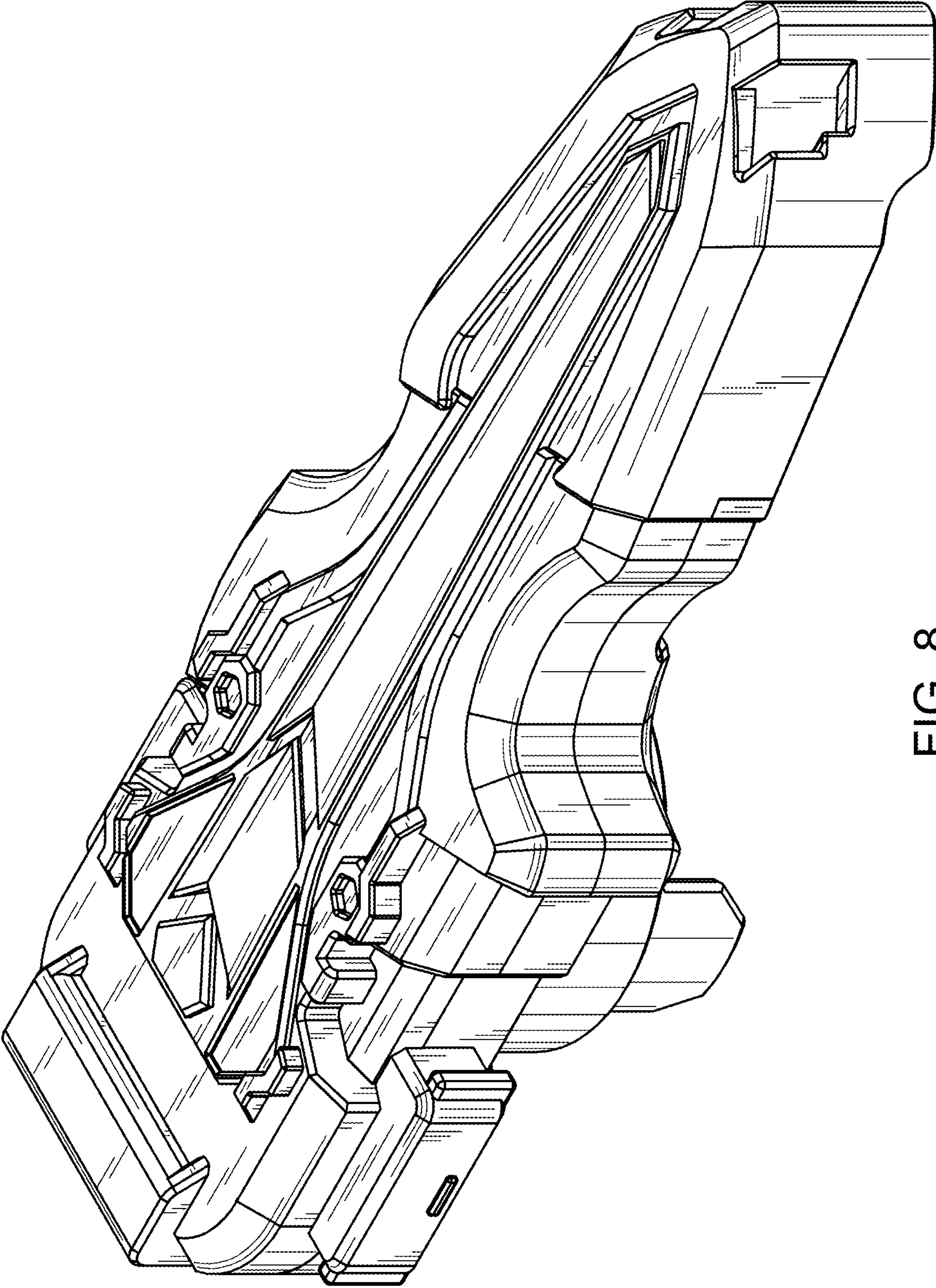


FIG. 8

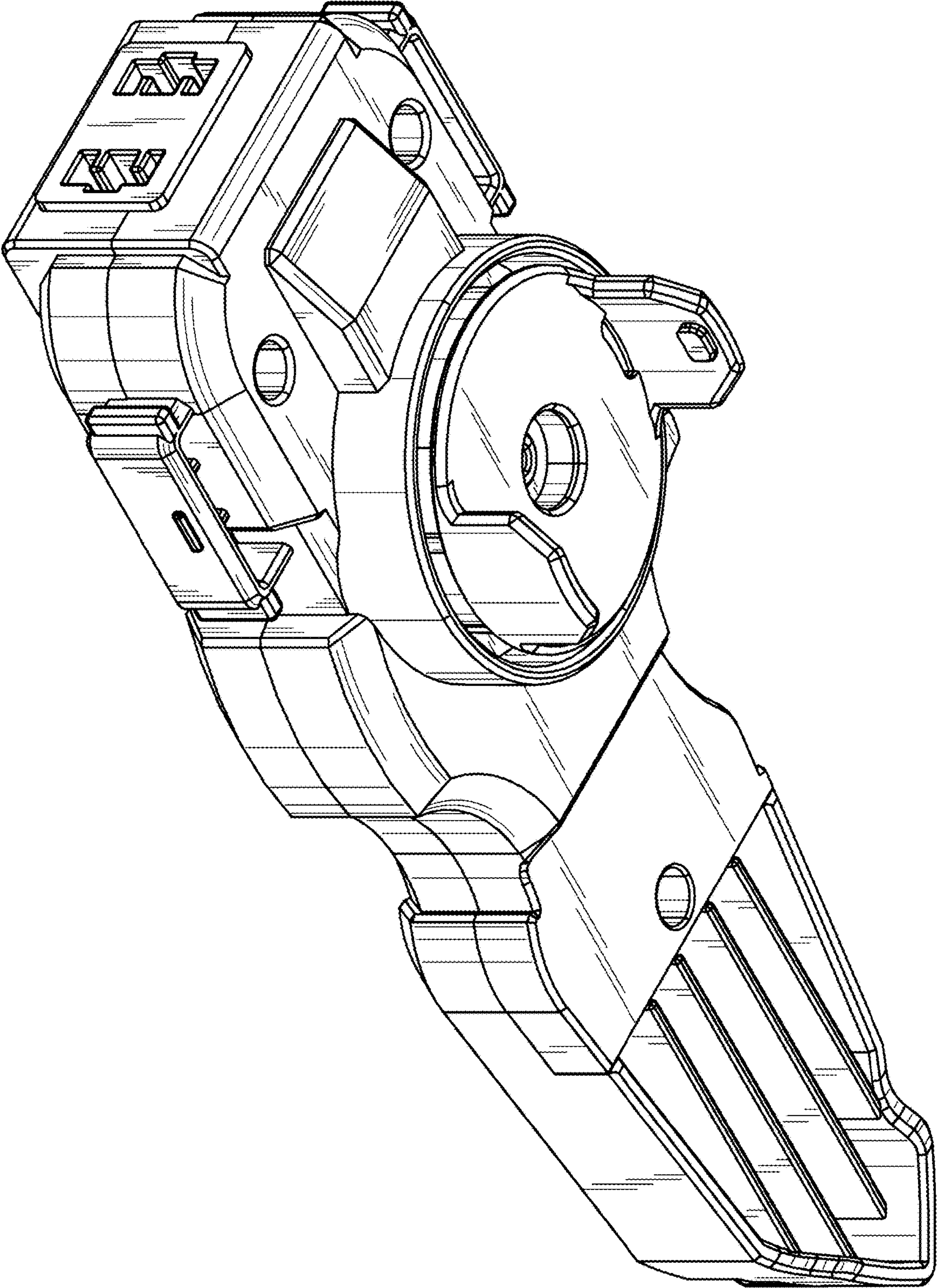


FIG. 9

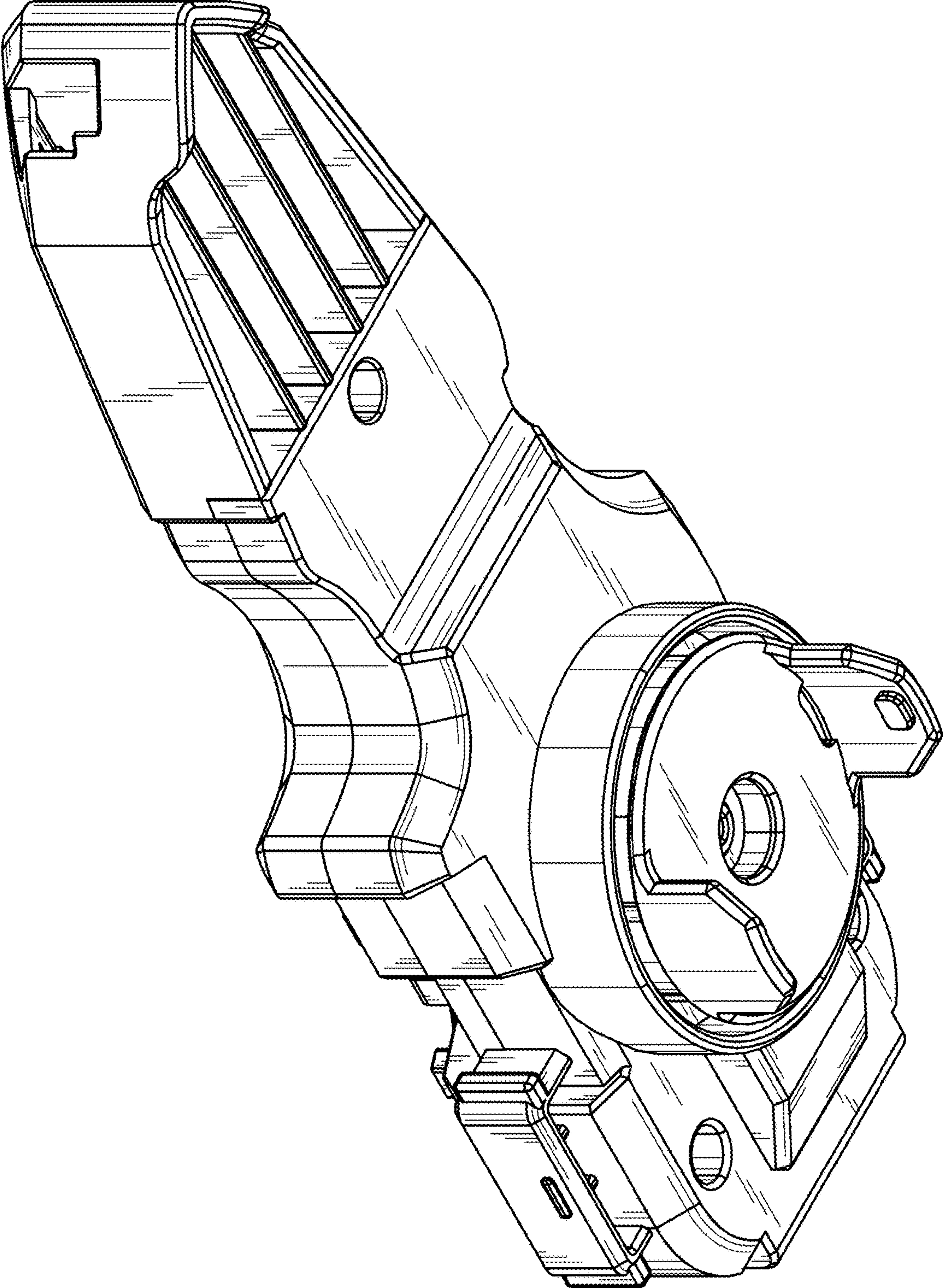


FIG. 10