



US00D852894S

(12) **United States Design Patent**  
**Hama**

(10) **Patent No.:** **US D852,894 S**

(45) **Date of Patent:** **\*\* Jul. 2, 2019**

- (54) **ACCESSORY FOR SPINNING TOP TOY**
- (71) Applicant: **TOMY COMPANY, LTD.**, Tokyo (JP)
- (72) Inventor: **Hiroyuki Hama**, Tokyo (JP)
- (73) Assignee: **TOMY COMPANY, LTD.**, Tokyo (JP)
- (\*\*) Term: **15 Years**
- (21) Appl. No.: **29/645,352**
- (22) Filed: **Apr. 25, 2018**

D827,043 S *	8/2018	Muraki	.....	D21/460
D835,209 S *	12/2018	Hashiba	.....	D21/460
D835,724 S *	12/2018	Muraki	.....	D21/460
D837,899 S *	1/2019	Narita	.....	D21/460

(30) **Foreign Application Priority Data**

Dec. 25, 2017 (JP) ..... 2017-028793

(51) **LOC (11) Cl.** ..... **21-01**

(52) **U.S. Cl.**  
USPC ..... **D21/460**

(58) **Field of Classification Search**  
USPC ..... D21/455-464; 446/236-266  
CPC ..... A63H 1/00-32; A63F 9/16  
See application file for complete search history.

(56) **References Cited**

**U.S. PATENT DOCUMENTS**

791,080 A *	5/1905	Davenport	.....	A63H 33/40 446/217
896,628 A *	8/1908	Davenport	.....	A63H 33/40 446/217
D55,084 S *	5/1920	Sandstrom	.....	D21/460
D629,051 S *	12/2010	Nishimoto	.....	D21/460
D629,847 S *	12/2010	Ujita	.....	D21/460
D639,869 S *	6/2011	Nishimoto	.....	D21/460
D825,007 S *	8/2018	Muraki	.....	D21/460
D825,671 S *	8/2018	Horikoshi	.....	D21/460

**FOREIGN PATENT DOCUMENTS**

CN	3333080	*	1/2004	
CN	3390848	*	9/2004	
CN	300776265	*	5/2008	
CN	300913143	*	4/2009	
DE	419469 C	*	10/1925	..... A63F 9/16
JP	3464193 B2	*	11/2003	..... A63H 1/00
JP	5969151 B1	*	8/2016	..... A63H 1/06
JP	6184576 B1	*	8/2017	..... A63H 1/02

\* cited by examiner

*Primary Examiner* — Catherine A Tuttle

(74) *Attorney, Agent, or Firm* — Oliff PLC

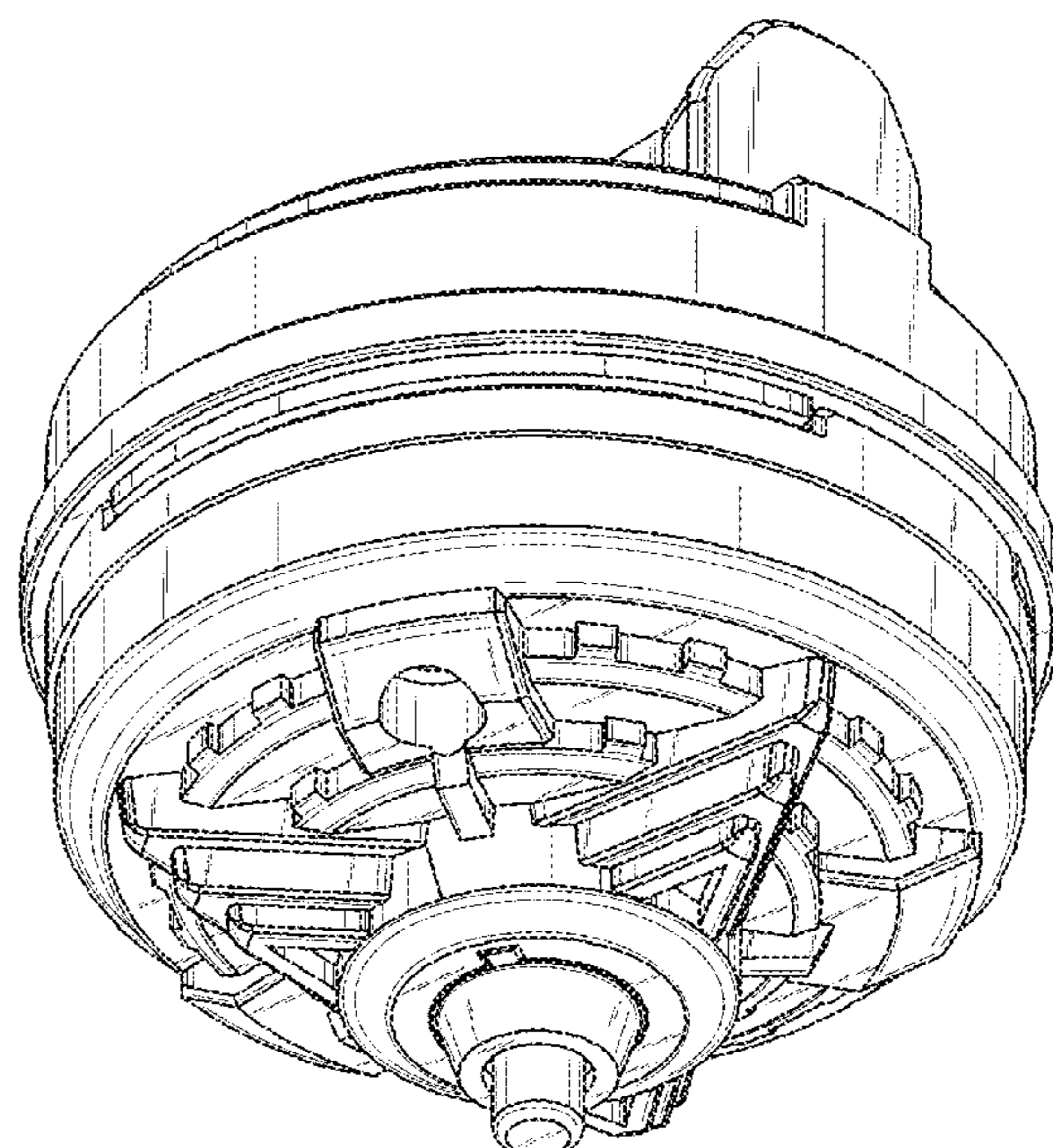
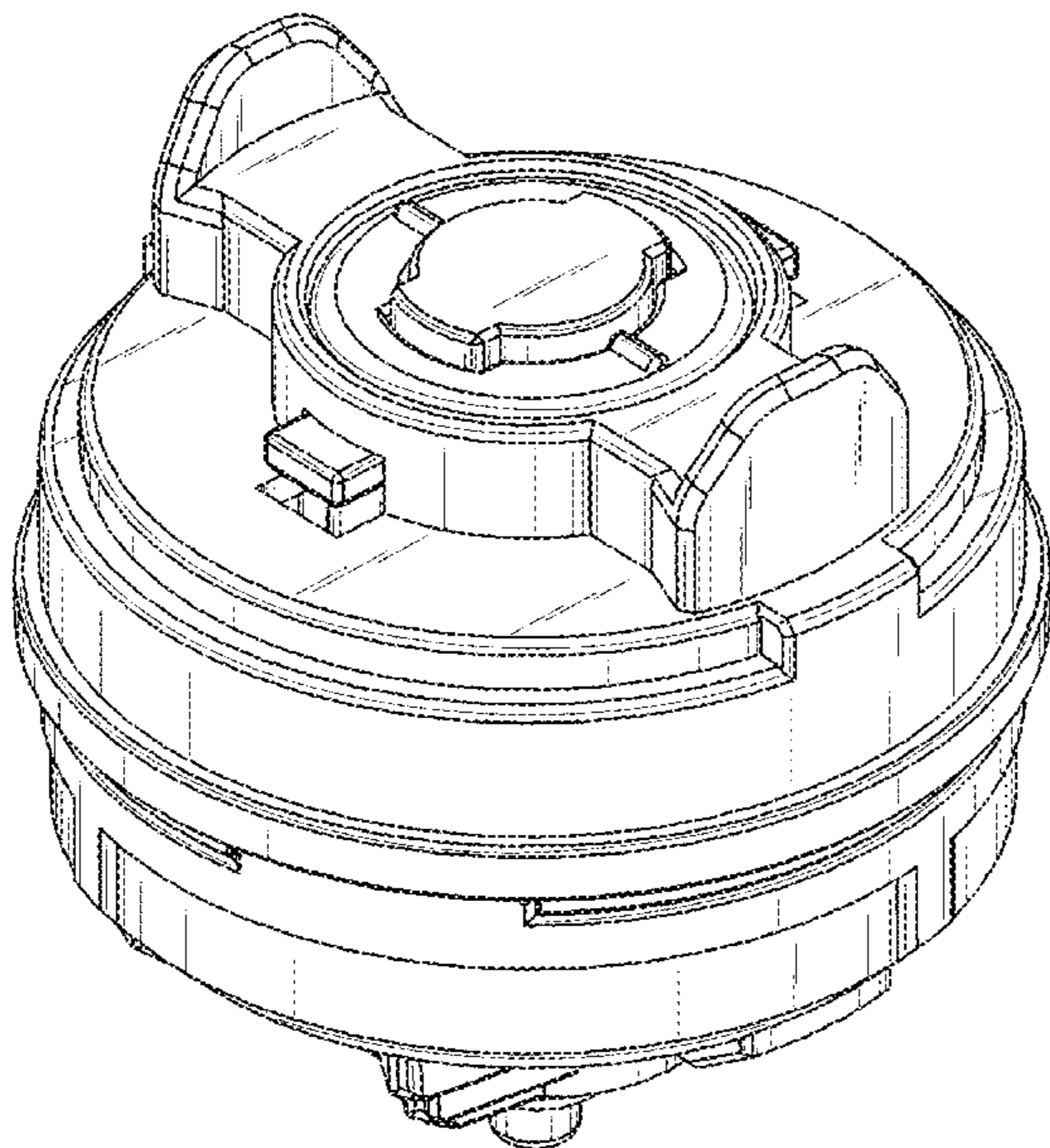
(57) **CLAIM**

The ornamental design for an accessory for spinning top toy, as shown and described.

**DESCRIPTION**

FIG. 1 is a front elevational view of the accessory for spinning top toy;  
 FIG. 2 is a left-side elevational view thereof;  
 FIG. 3 is a rear elevational view thereof;  
 FIG. 4 is a right-side elevational view thereof;  
 FIG. 5 is a top plan view thereof;  
 FIG. 6 is a bottom plan view thereof;  
 FIG. 7 is a front, top, right-side perspective view thereof;  
 and,  
 FIG. 8 is a bottom, rear, left-side perspective view thereof.

**1 Claim, 8 Drawing Sheets**



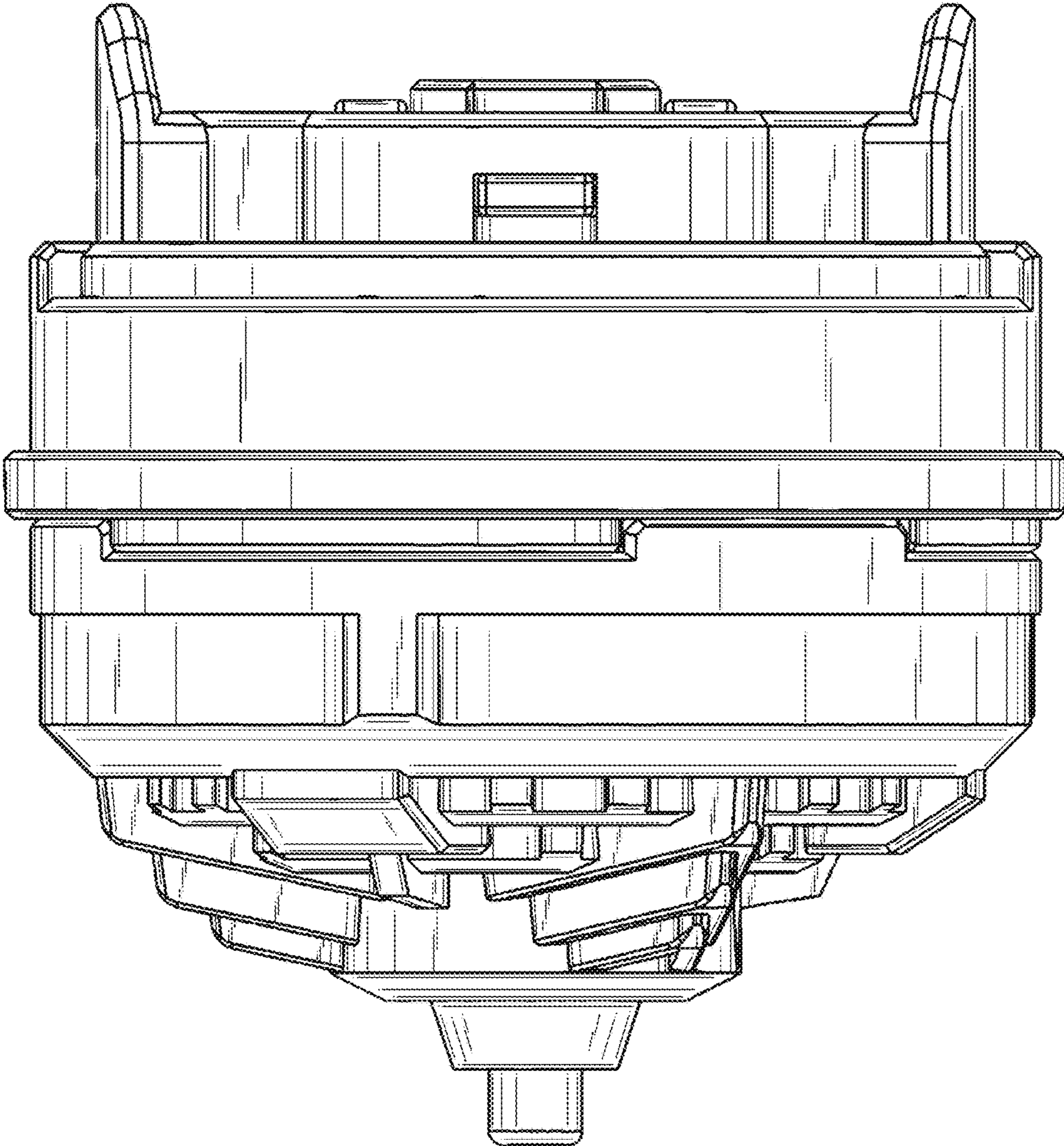


FIG. 1

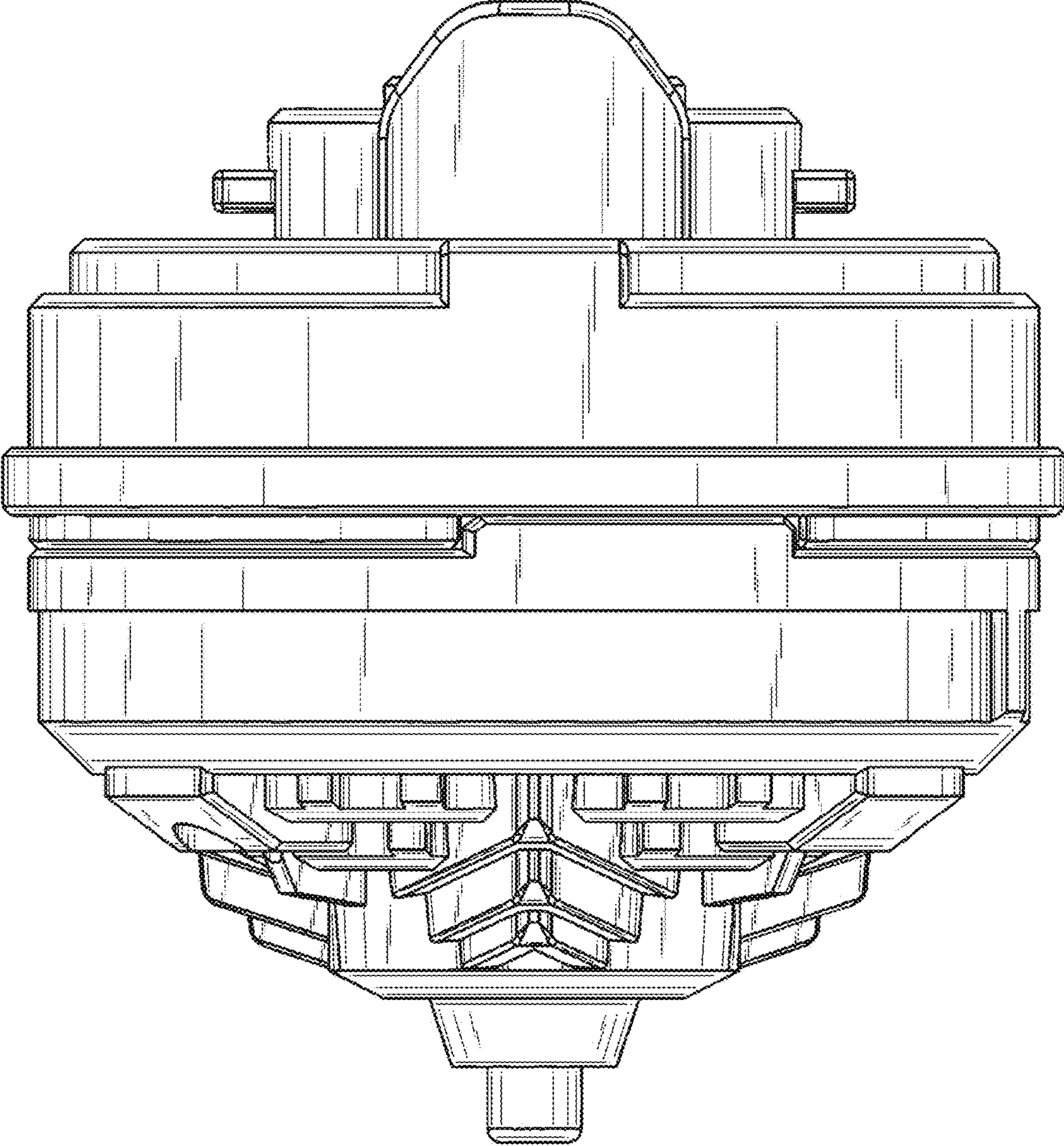


FIG. 2

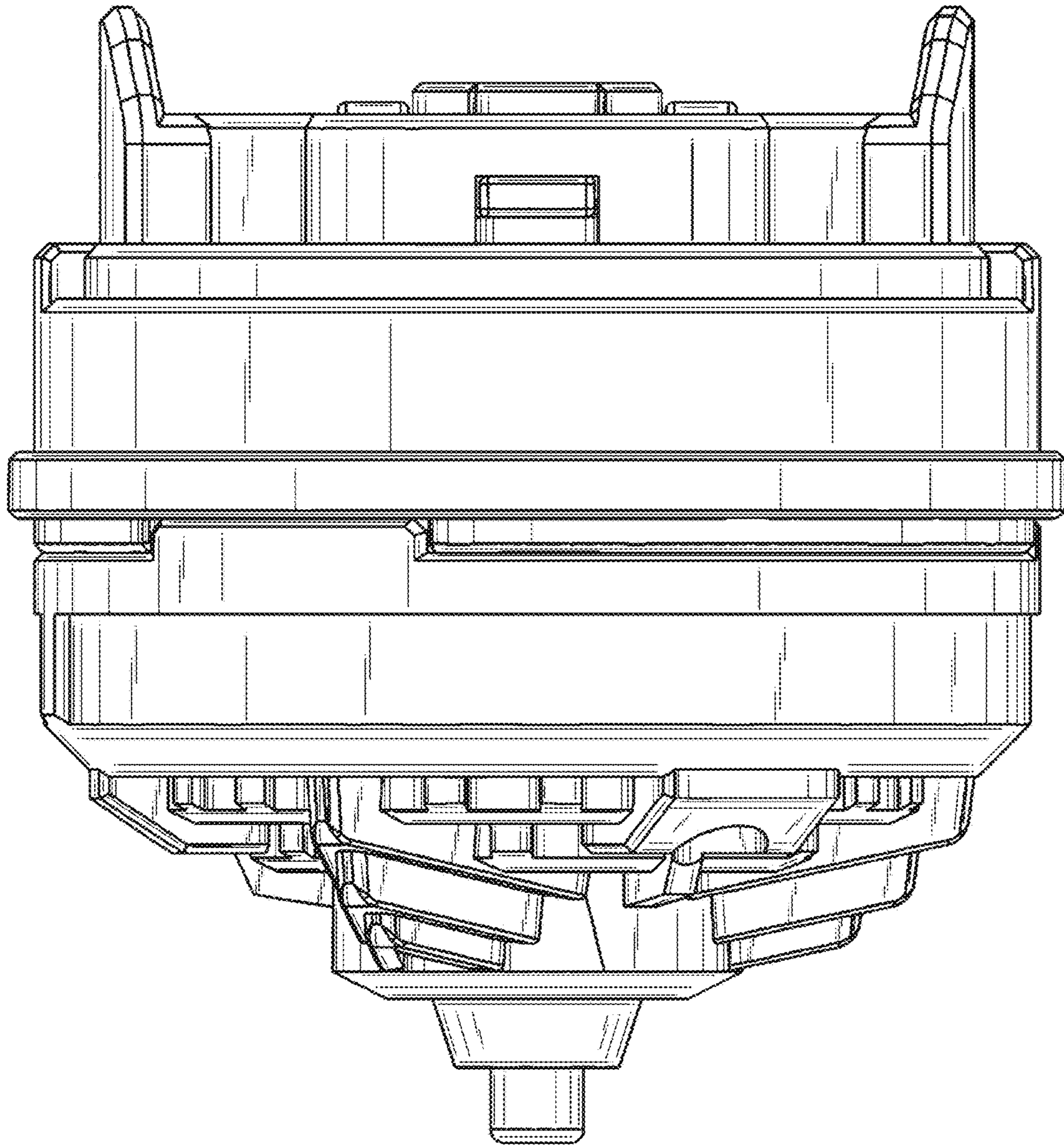


FIG. 3

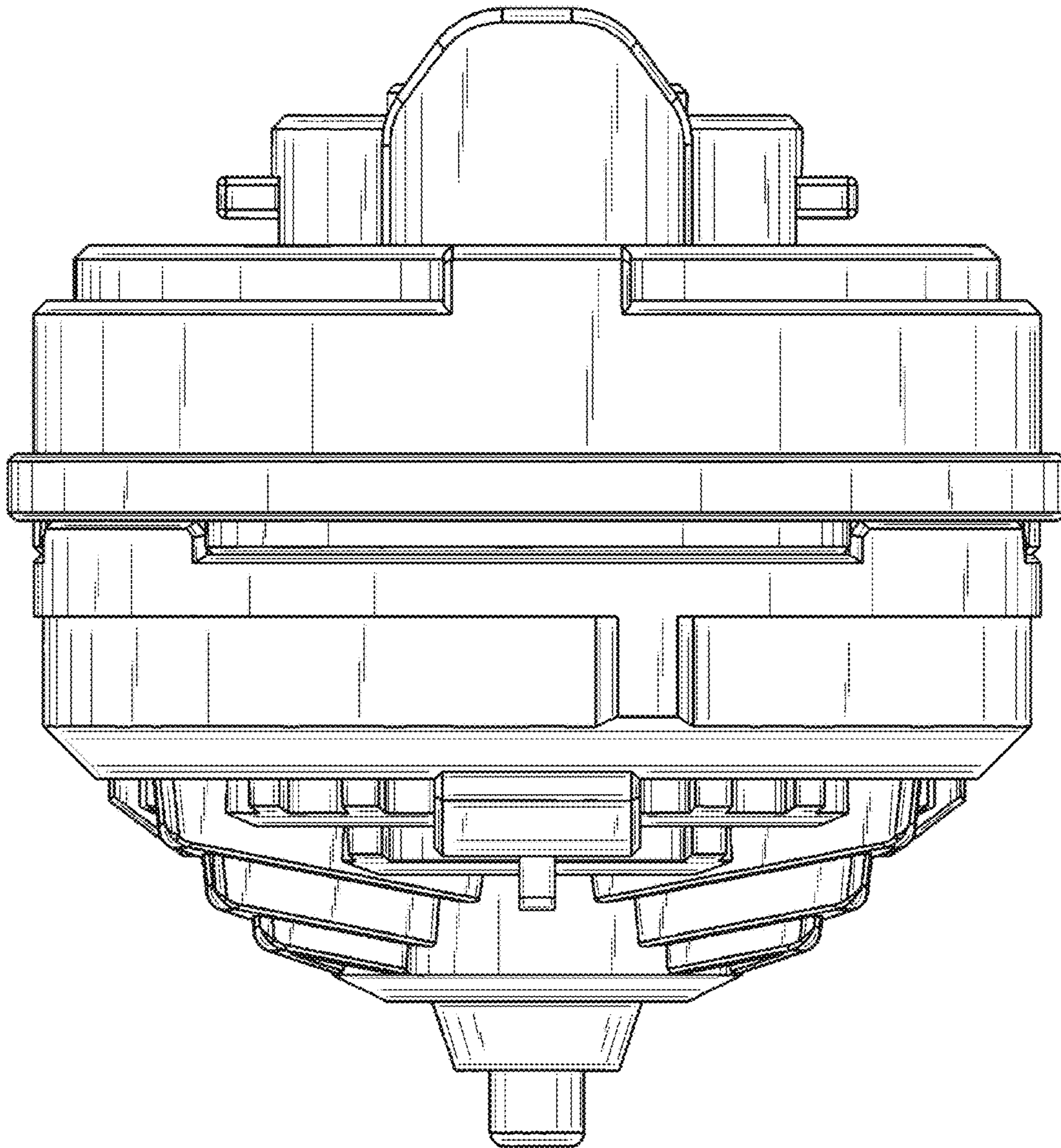


FIG. 4

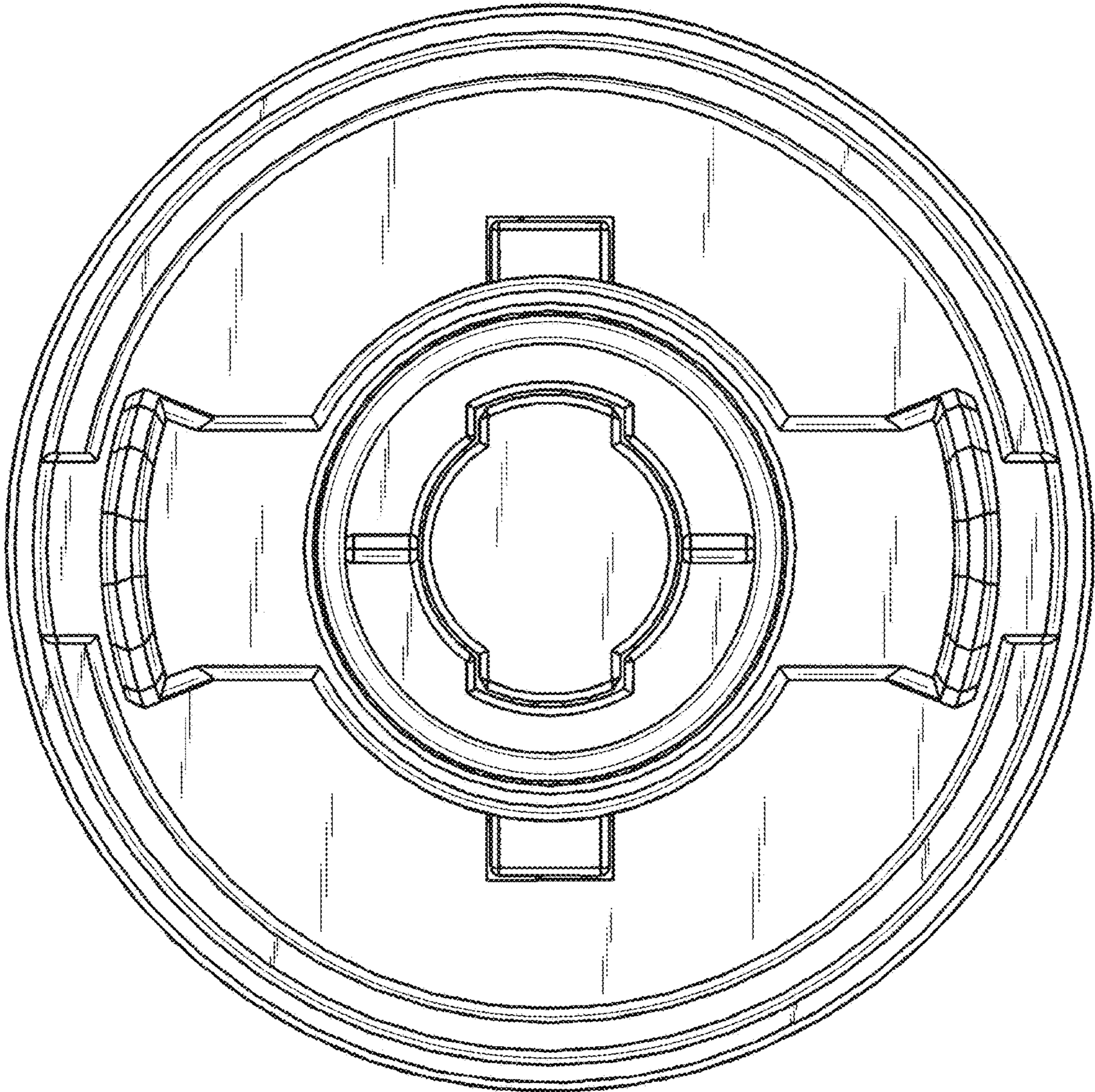


FIG. 5

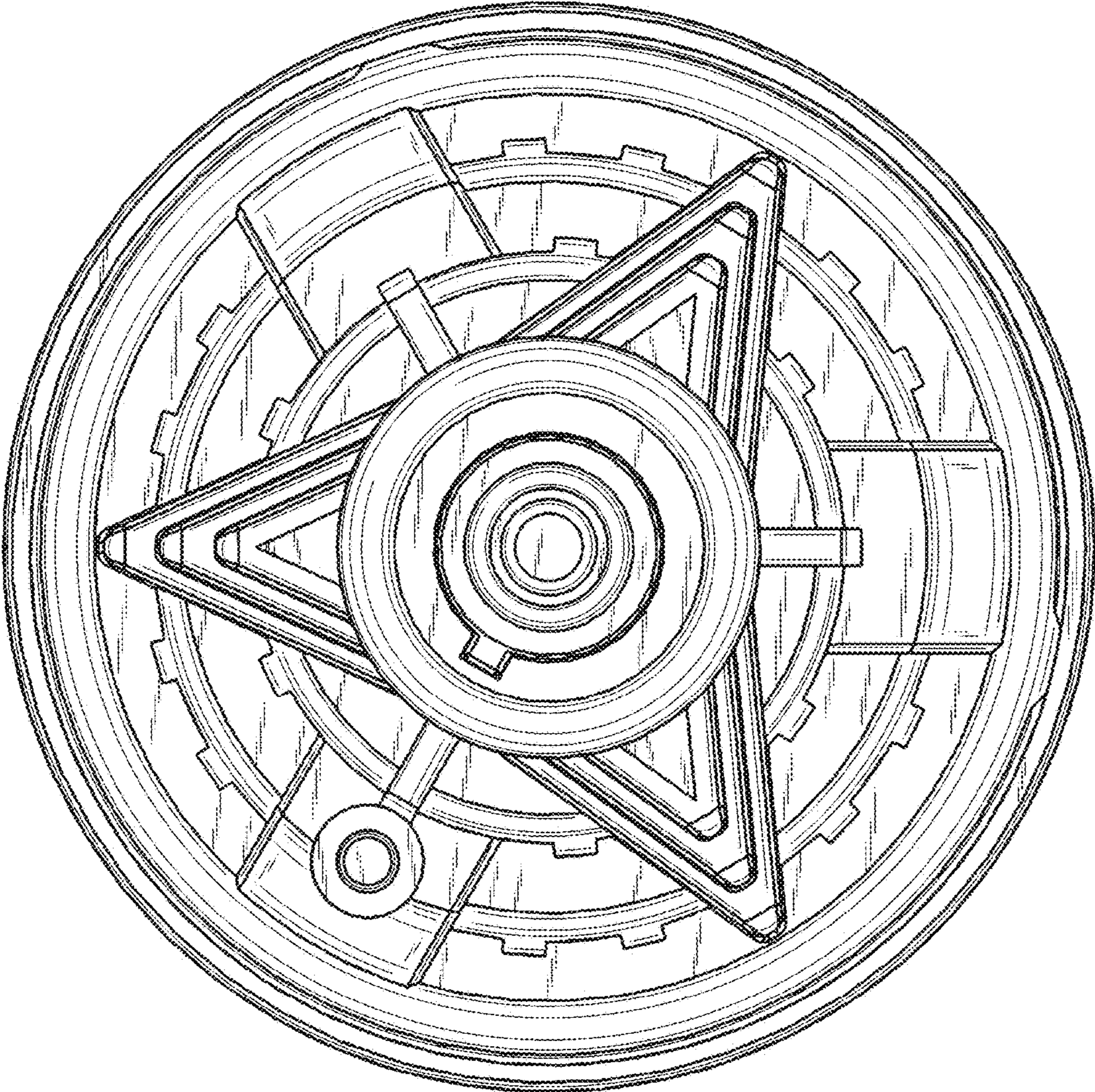


FIG. 6

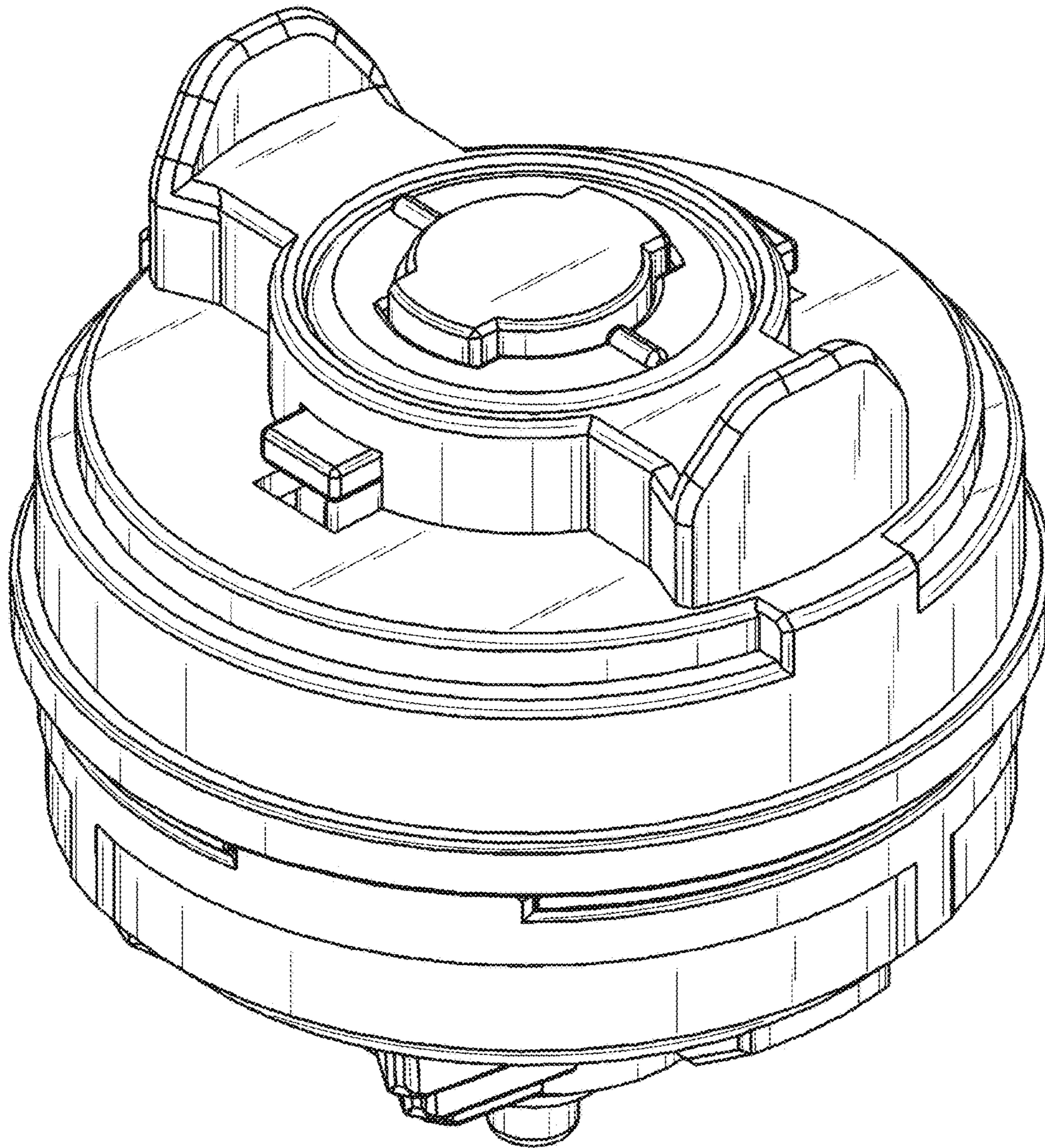


FIG. 7



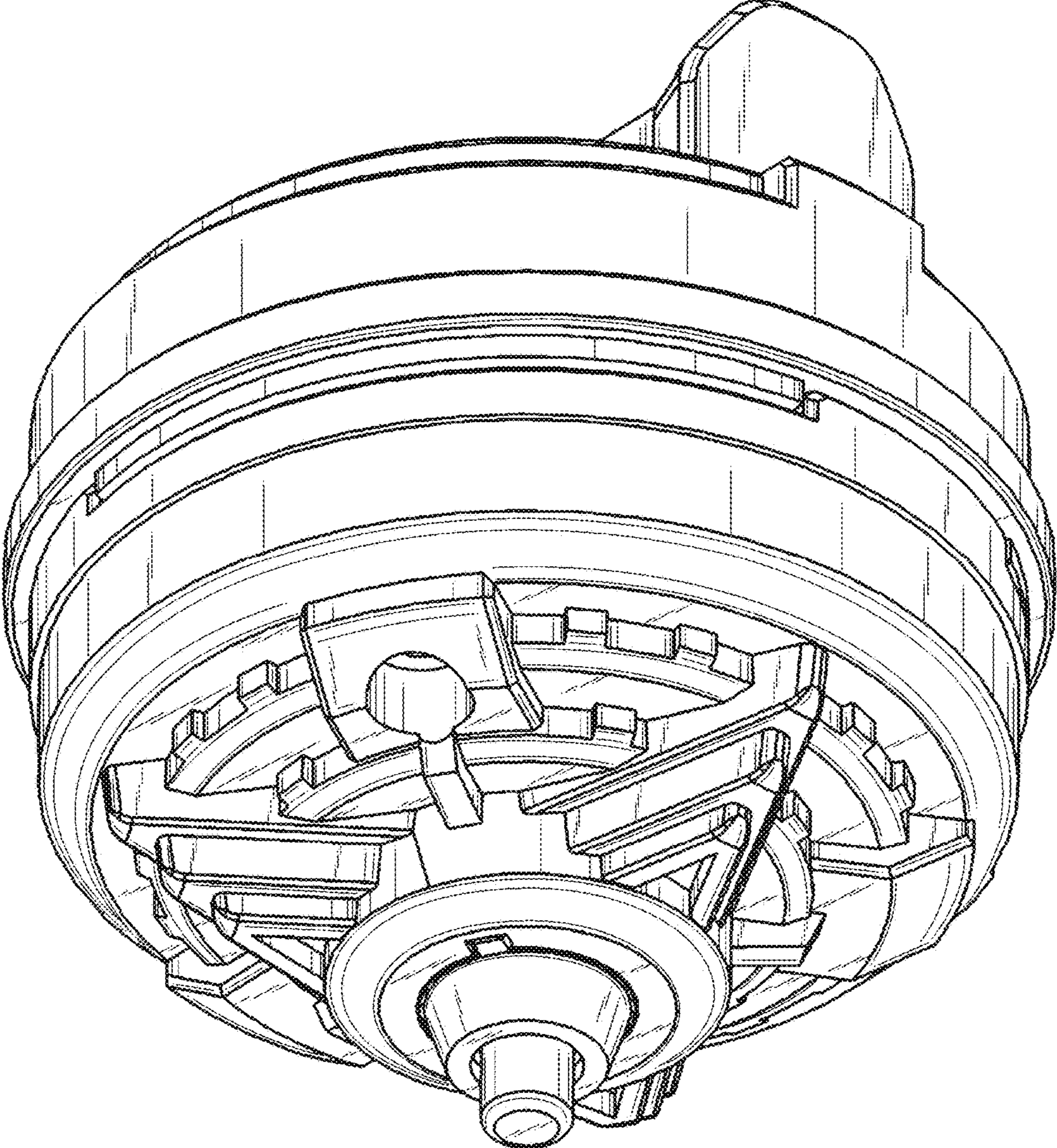


FIG. 8