



US00D852892S

(12) **United States Design Patent** (10) **Patent No.:** **US D852,892 S**
Chen (45) **Date of Patent:** **** Jul. 2, 2019**

- (54) **DRIFTING KART**
- (71) Applicant: **RAZOR USA LLC**, Cerritos, CA (US)
- (72) Inventor: **Robert (Wei-Pin) Chen**, San Marino, CA (US)
- (73) Assignee: **RAZOR USA LLC**, Cerritos, CA (US)
- (**) Term: **15 Years**
- (21) Appl. No.: **29/665,459**
- (22) Filed: **Oct. 3, 2018**

D189,614 S 1/1961 Beale
 D190,024 S 4/1961 Rouse
 (Continued)

FOREIGN PATENT DOCUMENTS

CN 2936826 8/2007
 CN 200977859 11/2007
 (Continued)

OTHER PUBLICATIONS

Aamoth, Doug, "Razor Builds the Ultimate Drifting Go-Kart: Why Must I Always Be Over the Weight Limit for Everything Good in This World?," Jul. 11, 2013, retrieved on Aug. 6, 2016, <http://techland.time.com/2013/07/11/razor-builds-the-ultimate-drifting-go-kart-why-must-i-always-be-over-the-weight-limit-for-everything-good-in-this-world/>, in 2 pages.

(Continued)

Primary Examiner — Cynthia M. Chin

(74) *Attorney, Agent, or Firm* — Knobbe Martens Olson & Bear, LLP

Related U.S. Application Data

- (63) Continuation of application No. 29/612,034, filed on Jul. 27, 2017, now Pat. No. Des. 830,470, which is a continuation of application No. 29/583,432, filed on Nov. 4, 2016, now Pat. No. Des. 793,480, which is a continuation of application No. 29/533,679, filed on Jul. 21, 2015, now Pat. No. Des. 771,196, which is a
(Continued)

(51) **LOC (11) Cl.** **21-01**

(52) **U.S. Cl.**

USPC **D21/426**

(58) **Field of Classification Search**

USPC D21/419, 421, 423, 426, 662, 760, 765,
 D21/766, 769, 771, 776, 803; D12/1, 6,
 D12/130; 280/7.14, 11.115, 11.19, 11.27,
 280/11.28, 14.21, 79.11, 79.2, 87.01,
 280/87.021, 87.03, 87.041, 87.042, 607,
 280/608, 609, 809; 180/180, 181;
 434/247, 253, 258; D34/23, 28

CPC . A63C 17/00; A63C 17/0026; A63C 17/0033;
 A63C 17/01; A63C 17/04; A63C 17/265;
 A63C 17/26; A63C 17/28; B62K 3/002

See application file for complete search history.

(56) **References Cited**

U.S. PATENT DOCUMENTS

3,062,559 A 6/1959 Hewitt

(57) **CLAIM**

The ornamental design for a drifting kart, as shown and described.

DESCRIPTION

FIG. 1 is a perspective view of a drifting kart which embodies my design.

FIG. 2 is a different perspective view of the drifting kart of FIG. 1.

FIG. 3 is a top view of the drifting kart of FIG. 1.

FIG. 4 is a left side view of the drifting kart of FIG. 1.

(Continued)

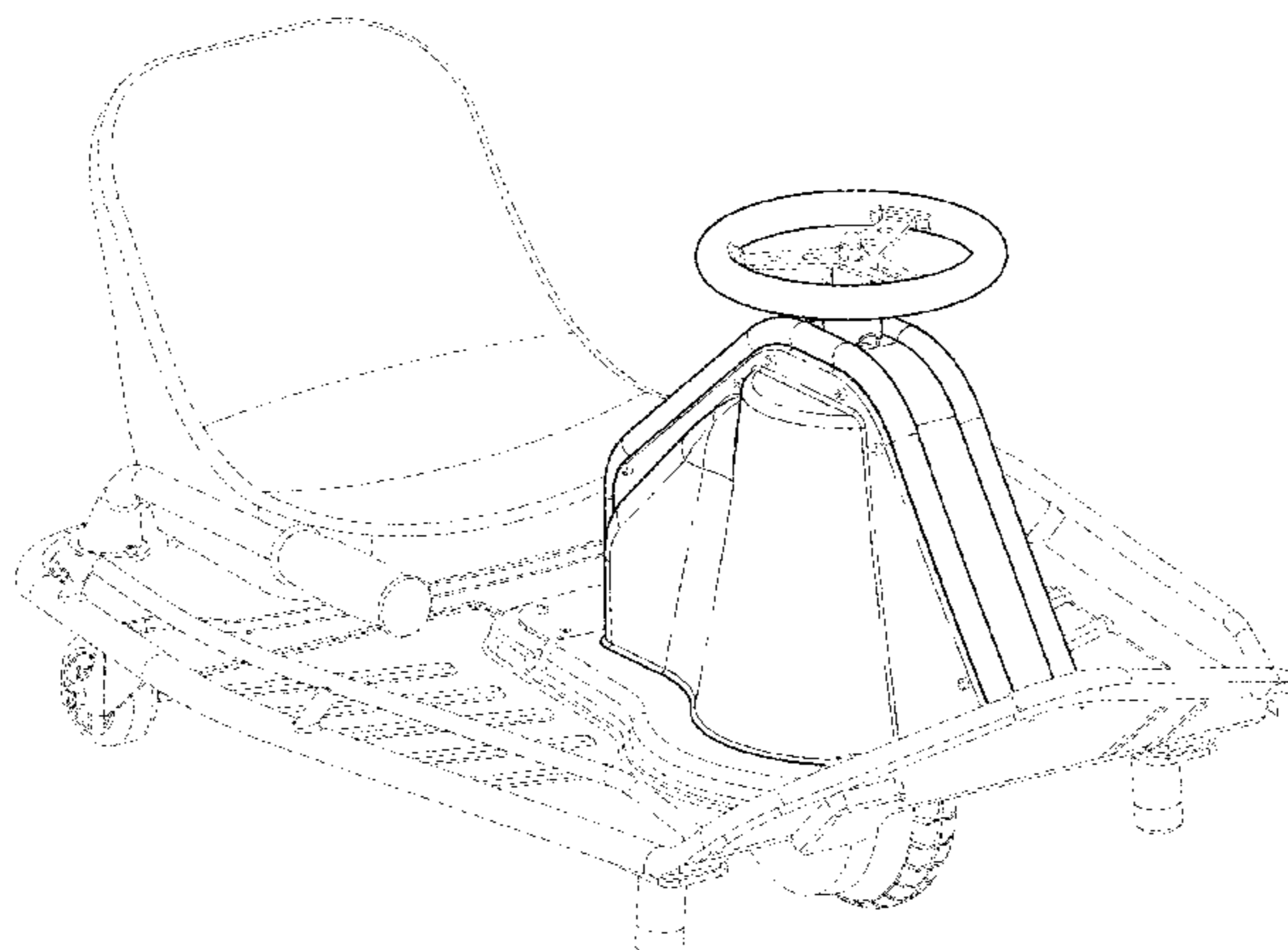


FIG. 5 is a right side view of the drifting kart of FIG. 1. FIG. 6 is a front view of the drifting kart of FIG. 1; and, FIG. 7 is a rear view of the drifting kart of FIG. 1. Broken lines are used to illustrate portions of the drifting kart which form no part of the claimed design.

1 Claim, 6 Drawing Sheets

Related U.S. Application Data

continuation of application No. 29/492,872, filed on Jun. 3, 2014, now abandoned.

(56)

References Cited

U.S. PATENT DOCUMENTS

3,125,177	A	3/1964	Paller	
3,533,484	A	10/1970	Wood	
D222,283	S	10/1971	Reeves	
3,799,283	A	3/1974	Freber	
3,938,608	A	2/1976	Folco-Zambelli	
3,960,392	A	6/1976	Read	
D243,627	S	3/1977	Clower	
D246,198	S	10/1977	Rose	
D249,496	S	9/1978	Morgan	
D252,714	S	8/1979	Tidwell	
4,281,844	A	8/1981	Jackman et al.	
4,359,231	A	11/1982	Mulcahy	
4,403,673	A	9/1983	Ball	
D276,058	S	10/1984	Rogers	
D280,916	S	10/1985	Castle	
4,572,535	A	2/1986	Stewart	
D290,451	S	6/1987	Engum	
4,750,578	A	6/1988	Brandenfels	
4,826,190	A	5/1989	Hartmann	
4,896,899	A	* 1/1990	Lawrence	B60B 5/02 152/409
4,898,508	A	2/1990	Hayata	
4,915,075	A	4/1990	Brown	
4,944,360	A	7/1990	Sturges	
4,993,733	A	2/1991	Eilers	
5,036,938	A	8/1991	Blount et al.	
D320,420	S	10/1991	Dupont	
D320,586	S	10/1991	Tellinghuisen	
D332,765	S	1/1993	Tellinghuisen	
D332,977	S	2/1993	Huffman et al.	
5,257,671	A	11/1993	Watkins	
5,265,690	A	11/1993	Amundsen et al.	
5,477,936	A	12/1995	Sugioka et al.	
5,479,998	A	1/1996	Ishikawa	
5,494,126	A	2/1996	Meeker	
D369,130	S	4/1996	Cummings	
D378,226	S	2/1997	Sundqvist	
5,628,379	A	5/1997	Watkins	
5,826,670	A	10/1998	Nan	
D408,869	S	4/1999	Patmont	
5,904,218	A	5/1999	Watkins	
D412,138	S	* 7/1999	Triarsi	D12/88
6,026,923	A	2/2000	Uphaus	
6,047,786	A	4/2000	Stevenson et al.	
D440,607	S	4/2001	Mahlow	
6,276,480	B1	8/2001	Aregger	
6,349,786	B1	2/2002	Gift	
D460,723	S	7/2002	Smit	
D465,814	S	* 11/2002	Koveleski	D21/433
D466,560	S	12/2002	Stolpmann	
D469,819	S	2/2003	Nicolle et al.	
D471,936	S	* 3/2003	Tilbor	D21/433
D483,420	S	12/2003	DeLong et al.	
D488,194	S	4/2004	Fox et al.	
6,729,421	B1	5/2004	Gluck	
6,749,039	B1	6/2004	Uphaus	

6,766,871	B2	7/2004	Sawyer	
D512,467	S	12/2005	Hadley et al.	
7,117,967	B2	10/2006	Kidd	
7,198,322	B2	4/2007	Savo	
D562,914	S	2/2008	Oveson et al.	
D570,572	S	6/2008	Whiteside et al.	
D574,297	S	8/2008	Carl	
D575,675	S	8/2008	Williams et al.	
D582,992	S	12/2008	Alais	
7,552,934	B2	6/2009	Lee et al.	
D601,640	S	* 10/2009	McIlvain	D21/433
D608,250	S	1/2010	Van De	
D611,106	S	3/2010	Van Beek	
7,712,558	B2	5/2010	Nelson et al.	
7,823,675	B2	* 11/2010	Kermani	A63G 25/00 180/210

D637,116	S	5/2011	Kettler	
D637,660	S	5/2011	Markowitz	
8,091,658	B2	1/2012	Peng	
8,356,686	B2	1/2013	Kermani	
8,365,850	B2	2/2013	Gal et al.	
D682,746	S	5/2013	Doherty et al.	
D692,505	S	10/2013	Jiang	
D692,506	S	10/2013	Jiang	
D705,128	S	* 5/2014	Patterson	D12/87
8,801,005	B1	8/2014	Flickner et al.	
8,875,831	B2	11/2014	Kermani	
9,102,375	B2	8/2015	Kermani	
9,139,248	B2	9/2015	Xiao	
D761,700	S	7/2016	Kermani	
D766,780	S	9/2016	Fusco	
D771,196	S	11/2016	Chen	
9,499,220	B2	11/2016	Kermani	
D774,602	S	12/2016	Desberg	
D774,981	S	12/2016	Chen	
D775,282	S	12/2016	Williams et al.	
D776,204	S	* 1/2017	van den Berg	D12/112
D778,369	S	2/2017	Douma et al.	
D783,726	S	4/2017	Williams et al.	
D787,379	S	5/2017	Kermani	
D792,811	S	7/2017	Kermani et al.	
D793,480	S	8/2017	Chen	
D793,481	S	8/2017	Kermani et al.	
D793,912	S	8/2017	Kermani	
D807,438	S	1/2018	Desberg	
D820,733	S	6/2018	Chen	
D830,469	S	10/2018	Kermani et al.	
D830,470	S	10/2018	Chen	
2004/0035627	A1	2/2004	Richey et al.	
2004/0040769	A1	3/2004	Richey et al.	
2004/0199311	A1	10/2004	Aguilar et al.	
2007/0045022	A1	3/2007	Greig et al.	
2008/0122209	A1	5/2008	Jayasuriya	
2008/0196951	A1	8/2008	Gal et al.	
2009/0065272	A1	3/2009	Martin et al.	
2010/0032223	A1	2/2010	Kermani	
2011/0042912	A1	2/2011	Kermani	
2012/0133111	A1	5/2012	Schmutzer et al.	
2017/0156953	A1	6/2017	Kermani	
2018/0029458	A1	2/2018	Chen et al.	
2018/0043950	A1	2/2018	Kermani et al.	

FOREIGN PATENT DOCUMENTS

CN	201009762	Y	1/2008
CN	203186508	U	9/2013
CN	203427959	U	2/2014
EP	0529188	A1	3/1993
WO	WO 2018/035060	A1	2/2018

OTHER PUBLICATIONS

OTL Elektrokart, "Storm Series—Competition" Datasheet, Jun. 14, 2014, retrieved on Aug. 6, 2016, <https://www.kart1.com/pdf/competition.pdf>, in 3 pages.

* cited by examiner

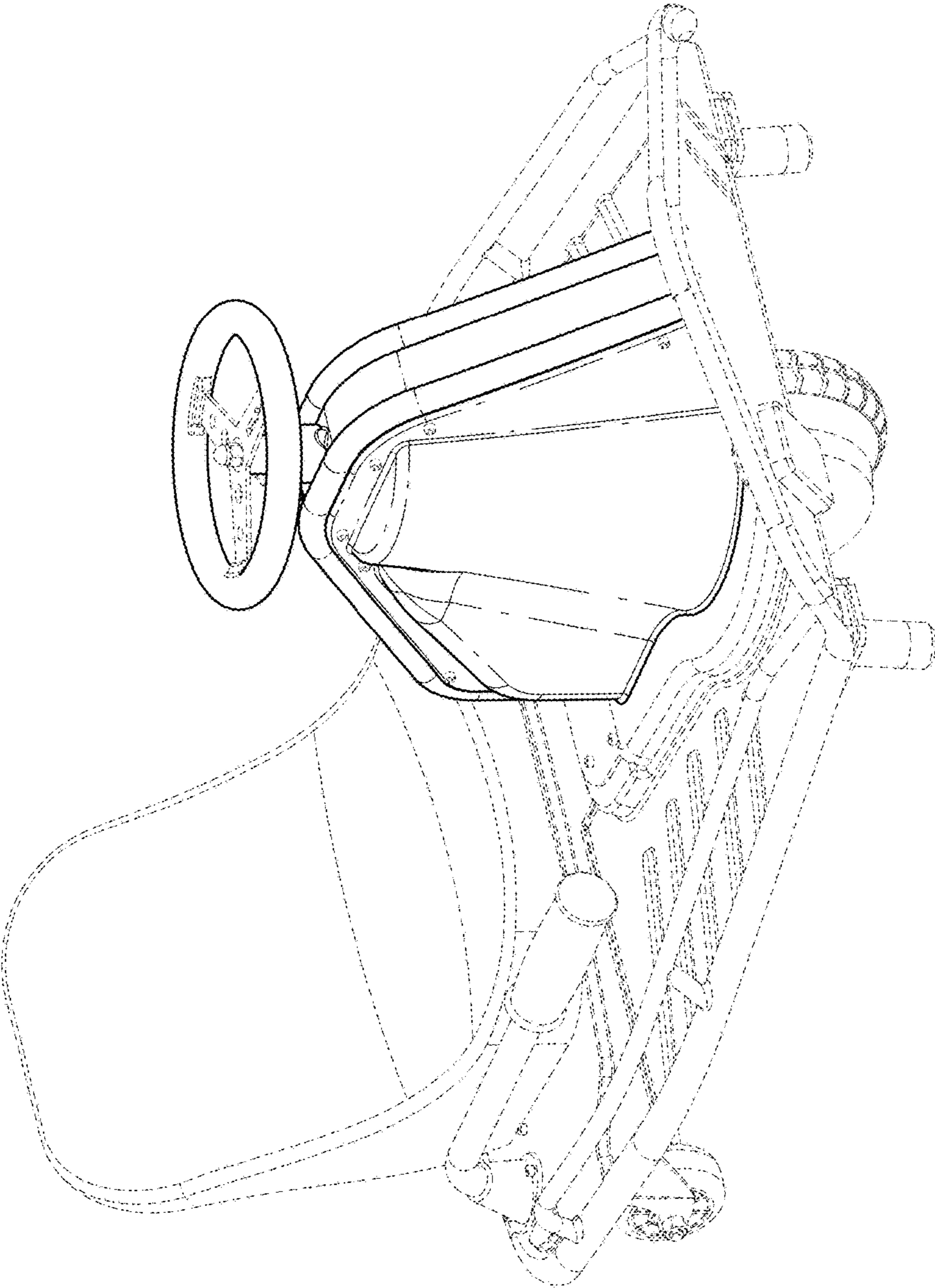


FIG. 1

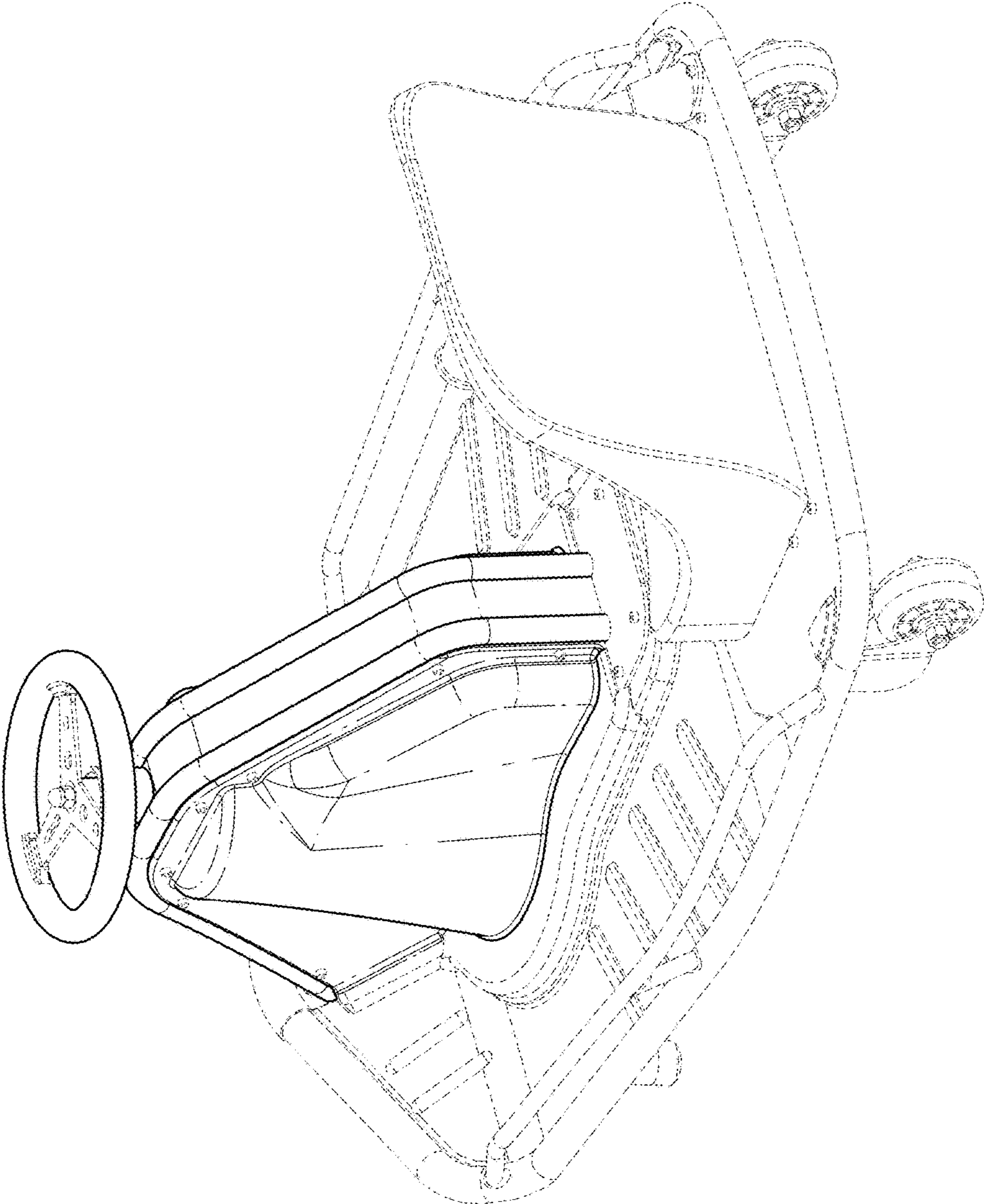


FIG. 2

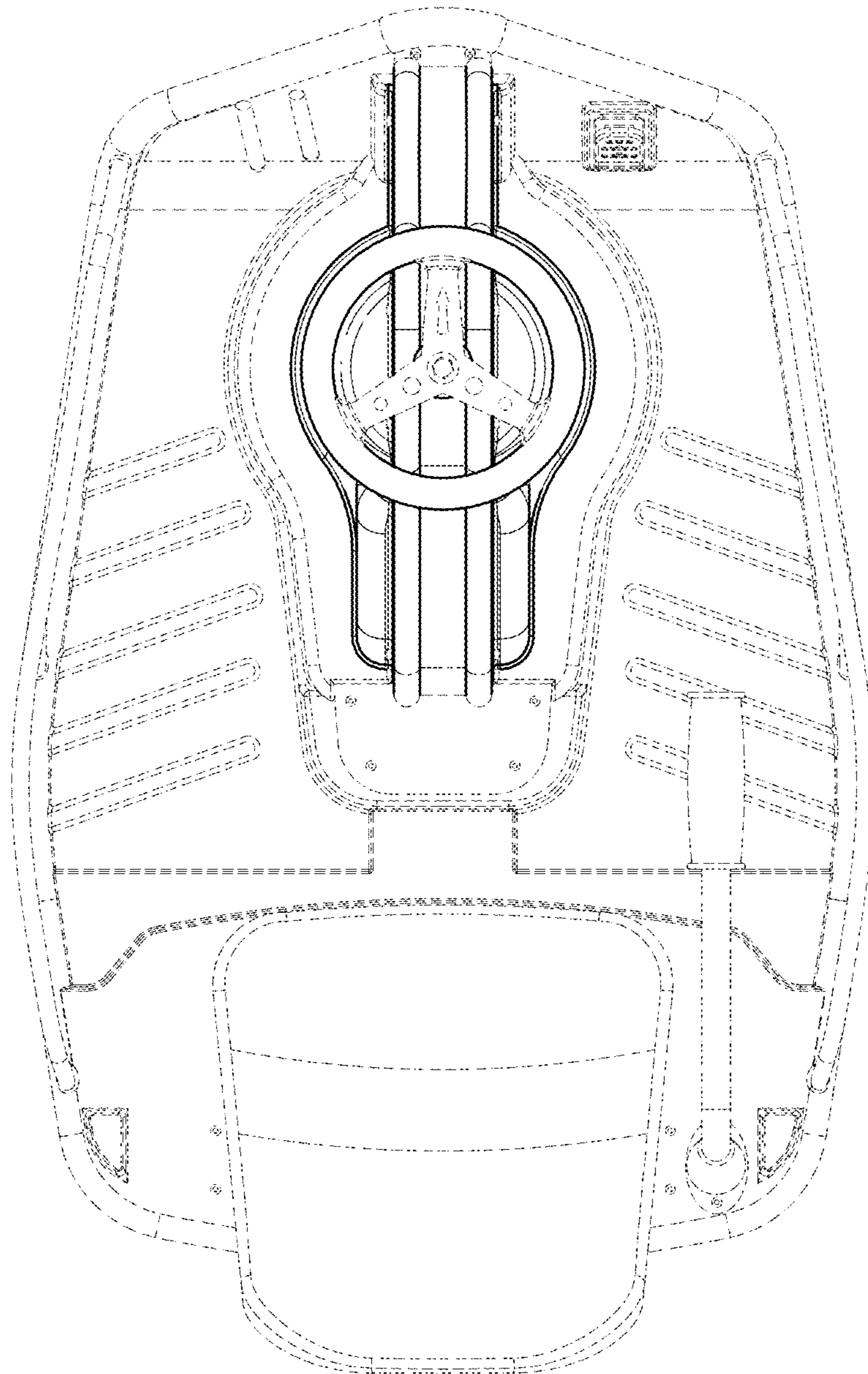


FIG. 3

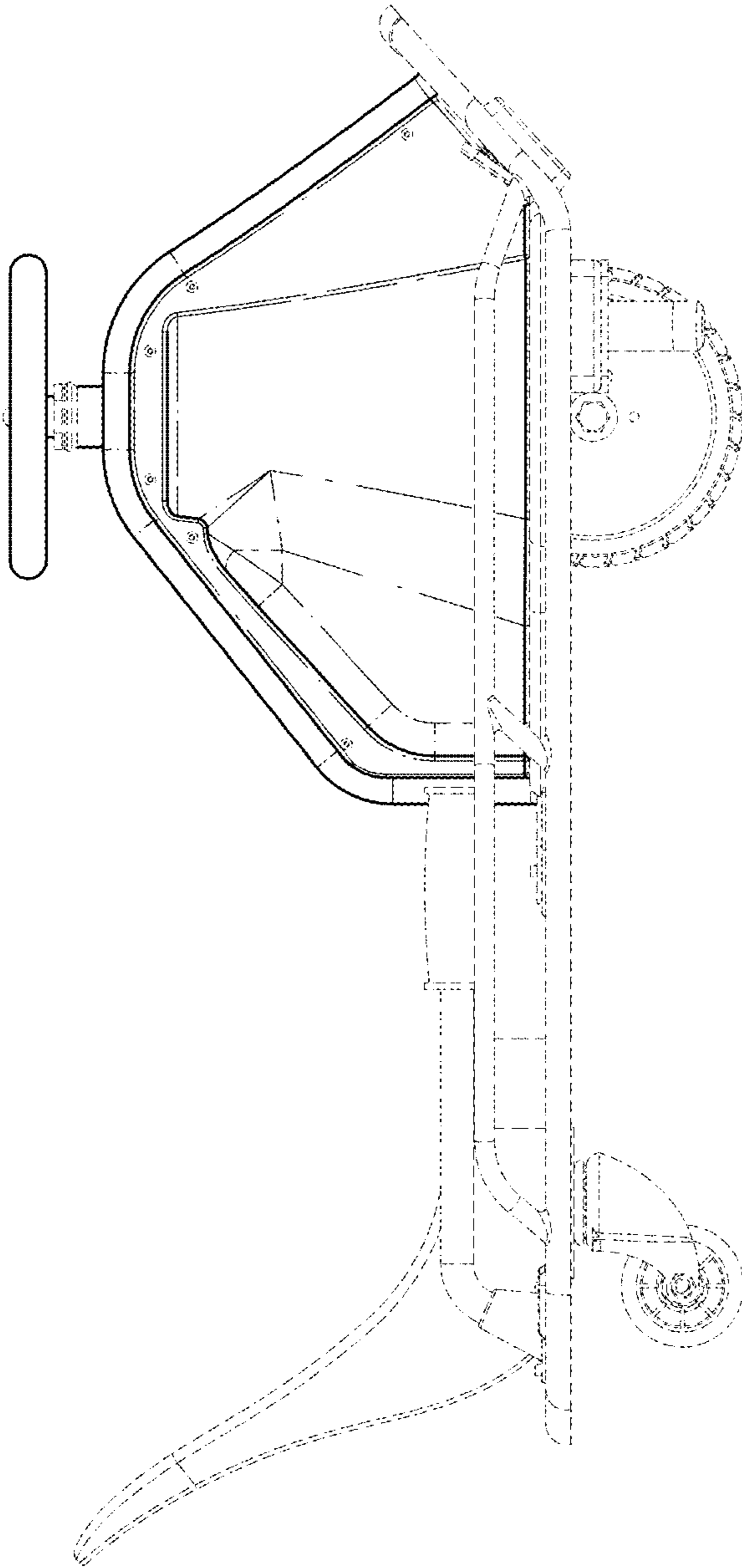


FIG. 4

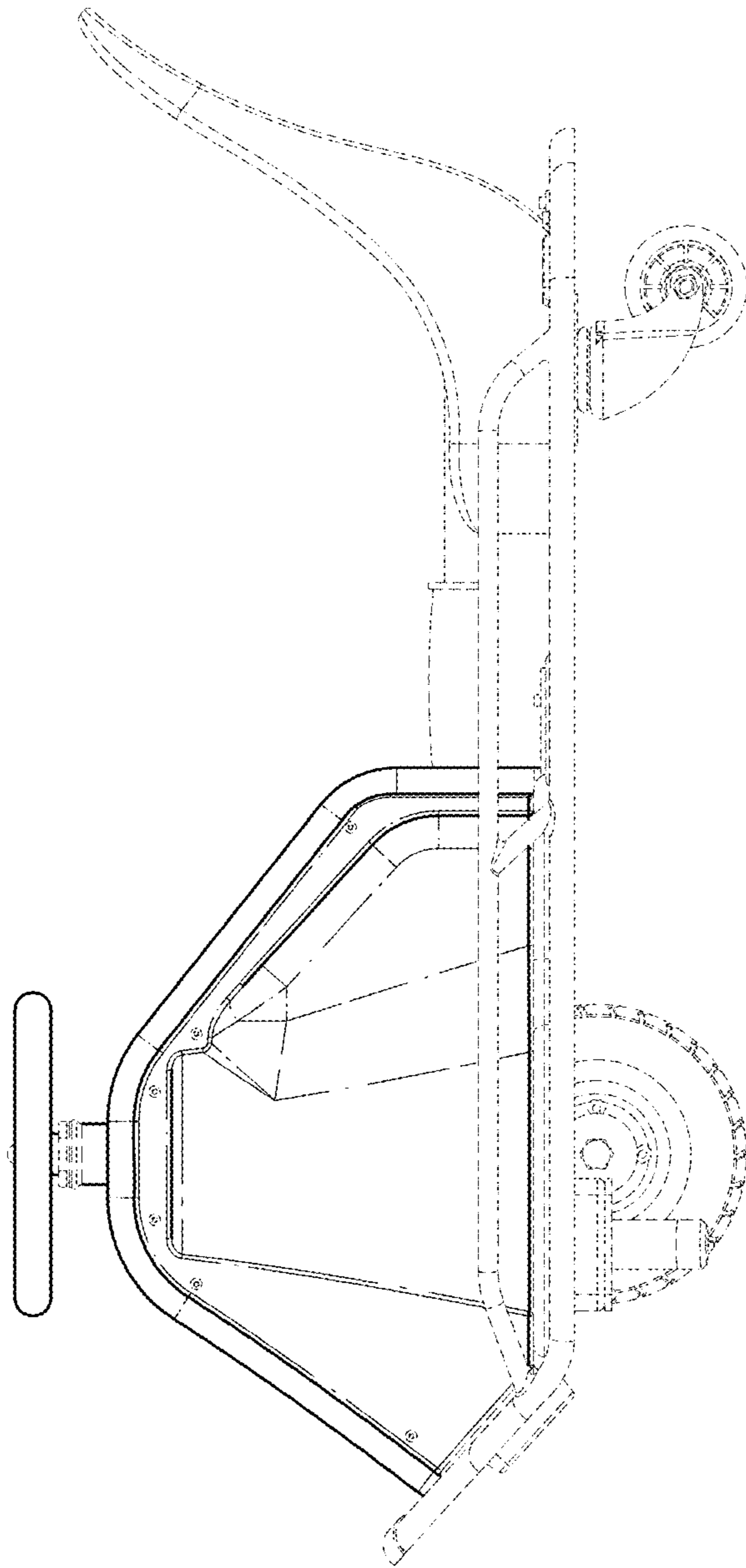


FIG. 5

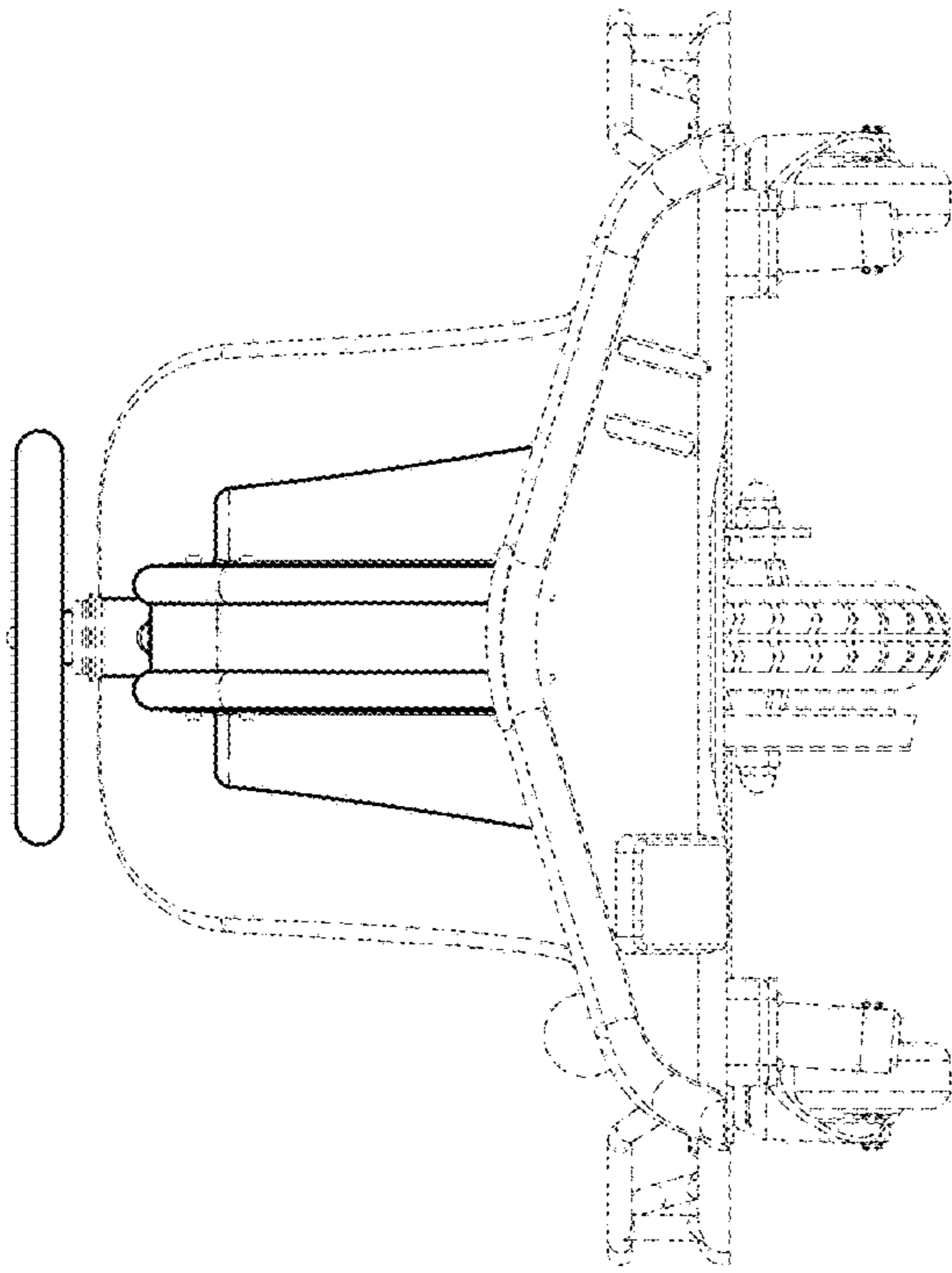


FIG. 6

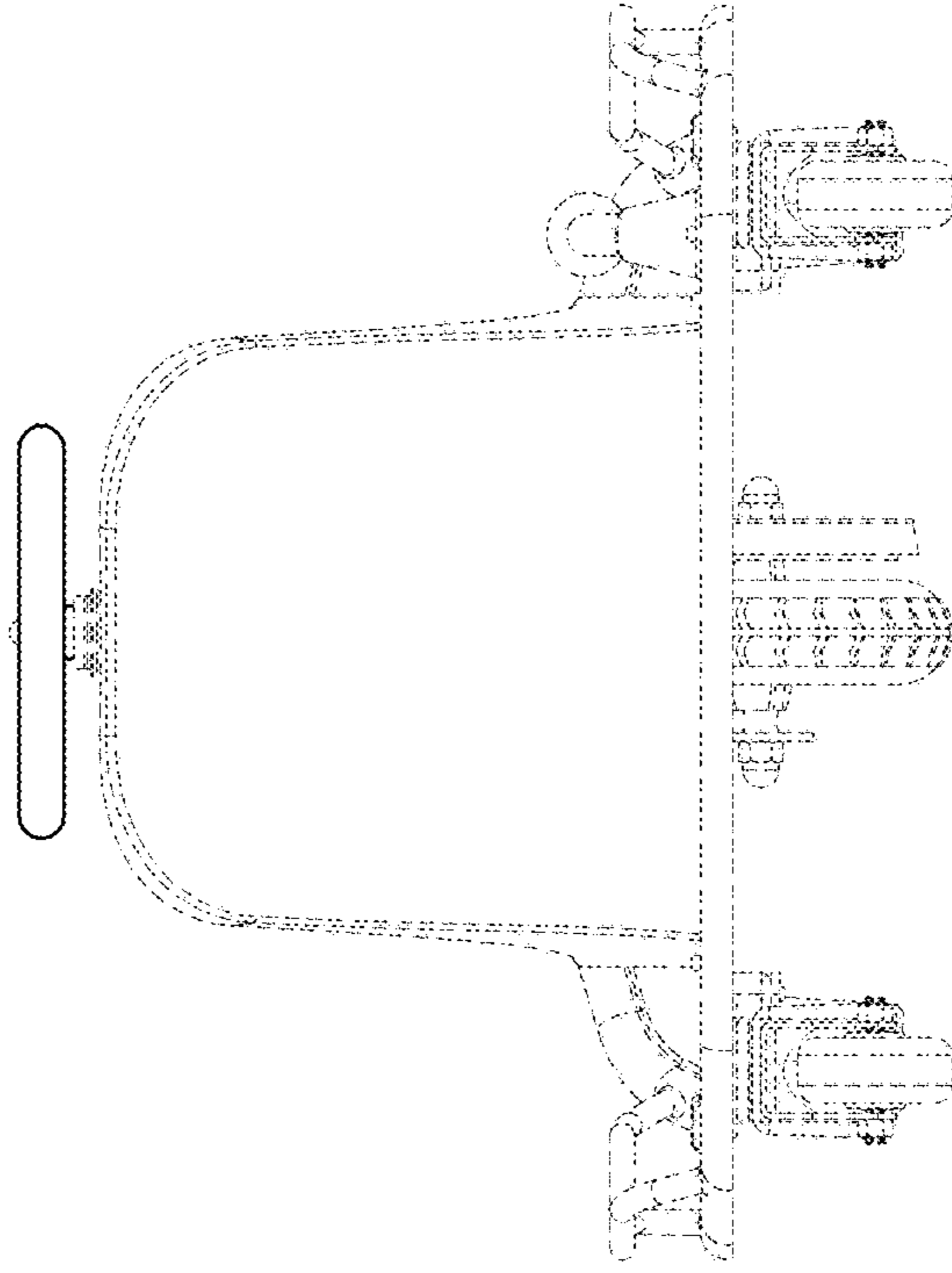


FIG. 7