



US00D852887S

(12) **United States Design Patent**
Mitchell

(10) **Patent No.:** **US D852,887 S**
(45) **Date of Patent:** **** Jul. 2, 2019**

(54) **CLIP FOR WRITING INSTRUMENT**

(71) Applicant: **Wacom Co., Ltd.**, Kazo-shi, Saitama (JP)

(72) Inventor: **Giles Thomas Mitchell**, Setagaya-ku (JP)

(73) Assignee: **Wacom Co., Ltd.**, Kazo-shi (JP)

(**) Term: **15 Years**

(21) Appl. No.: **29/608,126**

(22) Filed: **Jun. 19, 2017**

(30) **Foreign Application Priority Data**

Dec. 21, 2016 (JP) 2016-027754

(51) **LOC (11) Cl.** **19-06**

(52) **U.S. Cl.**
USPC **D19/197**

(58) **Field of Classification Search**
USPC D14/411; D19/115–204
(Continued)

(56) **References Cited**

U.S. PATENT DOCUMENTS

2,330,281 A * 9/1943 Hasselquist B43K 25/024
24/11 F
D304,667 S * 11/1989 Hutton D19/197
(Continued)

FOREIGN PATENT DOCUMENTS

KR 30-0570789 S 8/2010

Primary Examiner — Elizabeth A. Albert

(74) *Attorney, Agent, or Firm* — Christensen O'Connor Johnson Kindness PLLC

(57) **CLAIM**

The ornamental design for a clip for writing instrument, as shown and described.

DESCRIPTION

FIG. 1 is a top front left perspective view of a clip for a writing instrument according to a first embodiment of my new design;

FIG. 2 is a bottom rear right perspective view of the clip shown in FIG. 1;

FIG. 3 is a front view of the clip shown in FIG. 1, wherein the rear view is a mirror image of the front view;

FIG. 4 is a left side view of the clip shown in FIG. 1;

FIG. 5 is a right side view of the clip shown in FIG. 1;

FIG. 6 is a plan view of the clip shown in FIG. 1;

FIG. 7 is a bottom view of the clip shown in FIG. 1;

FIG. 8 is a cross-sectional view of the clip shown in FIG. 1, as indicated in FIG. 6;

FIG. 9 is a top front left perspective view of a clip shown in FIG. 1, wherein the clip is attached to a writing instrument;

FIG. 10 is a left side view of the clip shown in FIG. 1, wherein the clip is being used to remove a nib of a writing instrument;

FIG. 11 is a top front left perspective view of a clip for a writing instrument according to a second embodiment of my new design;

FIG. 12 is a bottom rear right perspective view of the clip shown in FIG. 11;

FIG. 13 is a front view of the clip shown in FIG. 11, wherein the rear view is a mirror image of the front view;

FIG. 14 is a left side view of the clip shown in FIG. 11;

FIG. 15 is a right side view of the clip shown in FIG. 11;

FIG. 16 is a plan view of the clip shown in FIG. 11;

FIG. 17 is a bottom view of the clip shown in FIG. 11;

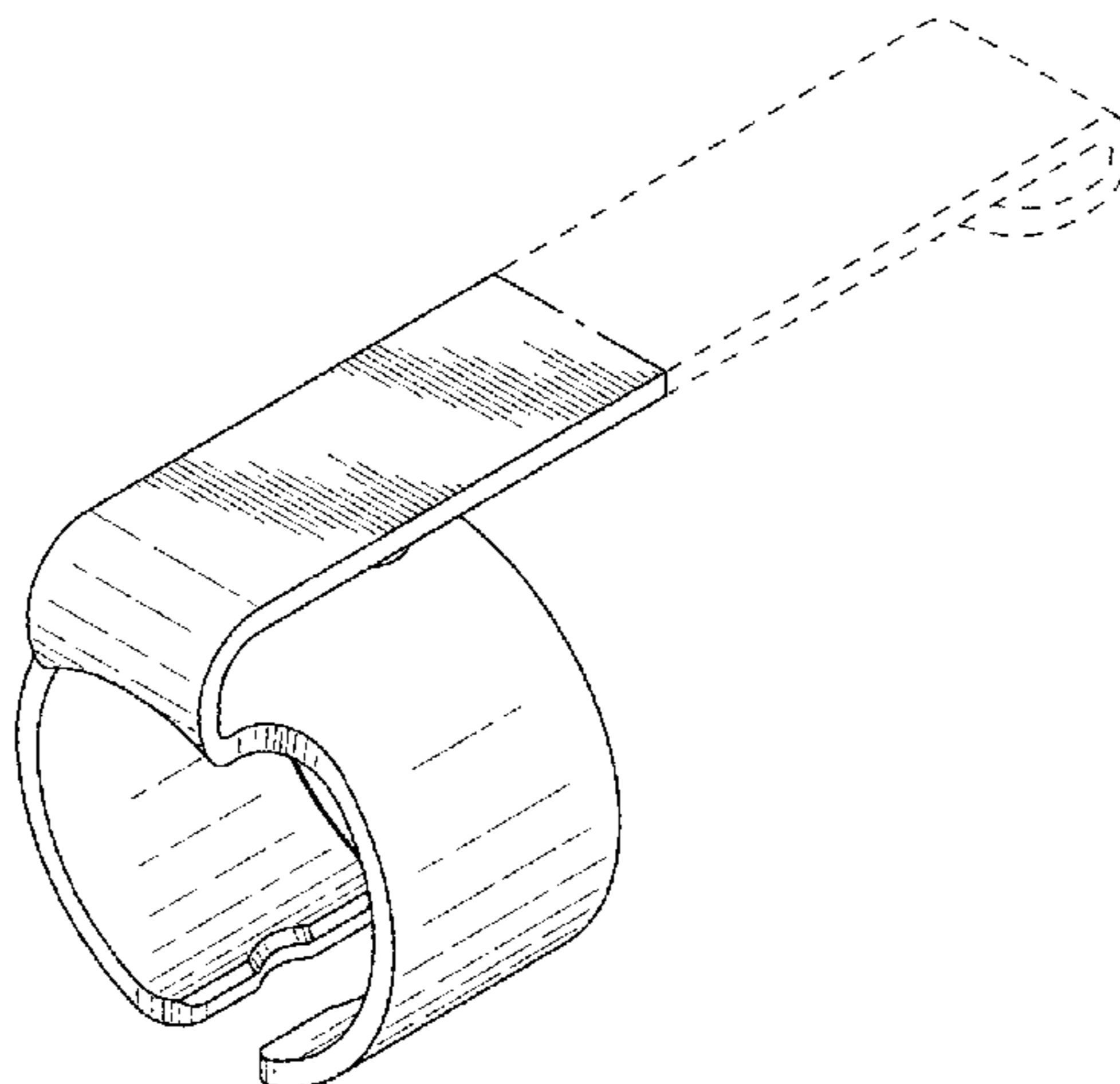
FIG. 18 is a cross-sectional view of the clip shown in FIG. 11, as indicated in FIG. 16;

FIG. 19 is a top front left perspective view of a clip shown in FIG. 11, wherein the clip is attached to a writing instrument; and,

FIG. 20 is a left side view of the clip shown in FIG. 11, wherein the clip is being used to remove a nib of a writing instrument.

The dashed broken lines in the drawings show portions of the clip for a writing instrument that form no part of the claimed design. The dash dot broken lines define the bounds of the claimed design and form no part thereof.

1 Claim, 8 Drawing Sheets



(58) **Field of Classification Search**

CPC . B43K 5/005; B43K 7/12; B43K 8/04; B43K 8/06; B43K 19/00; B43K 19/02; B43K 19/14; B43K 21/006; B43K 21/06

See application file for complete search history.

(56) **References Cited**

U.S. PATENT DOCUMENTS

D357,278 S * 4/1995 Turney D19/197
 D368,738 S * 4/1996 Osada D19/173
 D409,327 S * 5/1999 Brock D19/170
 D410,681 S * 6/1999 Izushima D19/174
 D426,378 S * 6/2000 Cohen D3/215
 D428,918 S * 8/2000 Mittersinker D19/197
 D440,602 S * 4/2001 Ikeda D19/174
 D444,500 S * 7/2001 Izushima D19/174
 D450,347 S * 11/2001 Keda D19/175
 D450,873 S * 11/2001 Opolka D19/173
 D508,200 S * 8/2005 Cagle D9/434
 D548,789 S * 8/2007 Ternovits D19/168
 D548,863 S * 8/2007 Shiu D26/37

D551,709 S * 9/2007 Pellissa Beneyto D19/172
 D562,896 S * 2/2008 Delaney D19/176
 D586,398 S * 2/2009 Cheng D19/197
 D588,912 S * 3/2009 Christensen D9/434
 D597,136 S * 7/2009 Dhesse D19/197
 D603,541 S * 11/2009 Shiu D26/38
 D655,027 S * 2/2012 Milz D26/49
 D655,292 S * 3/2012 Nakata D14/411
 D658,322 S * 4/2012 Wu D26/37
 D673,315 S * 12/2012 Milz D26/49
 D676,170 S * 2/2013 Feng D26/38
 D682,939 S * 5/2013 Larson D19/197
 D699,379 S * 2/2014 Wu D26/38
 D709,751 S * 7/2014 Wu D8/85
 D729,963 S * 5/2015 Windom D26/38
 D770,071 S * 10/2016 Windom D26/49
 D799,084 S * 10/2017 Wu D26/38
 D810,337 S * 2/2018 Eichelberger D26/49
 D810,978 S * 2/2018 Windom D26/38
 D811,636 S * 2/2018 Galli D26/49
 D817,528 S * 5/2018 Wu D26/38
 2015/0299490 A1 * 10/2015 Storch C09D 13/00
 401/68

* cited by examiner

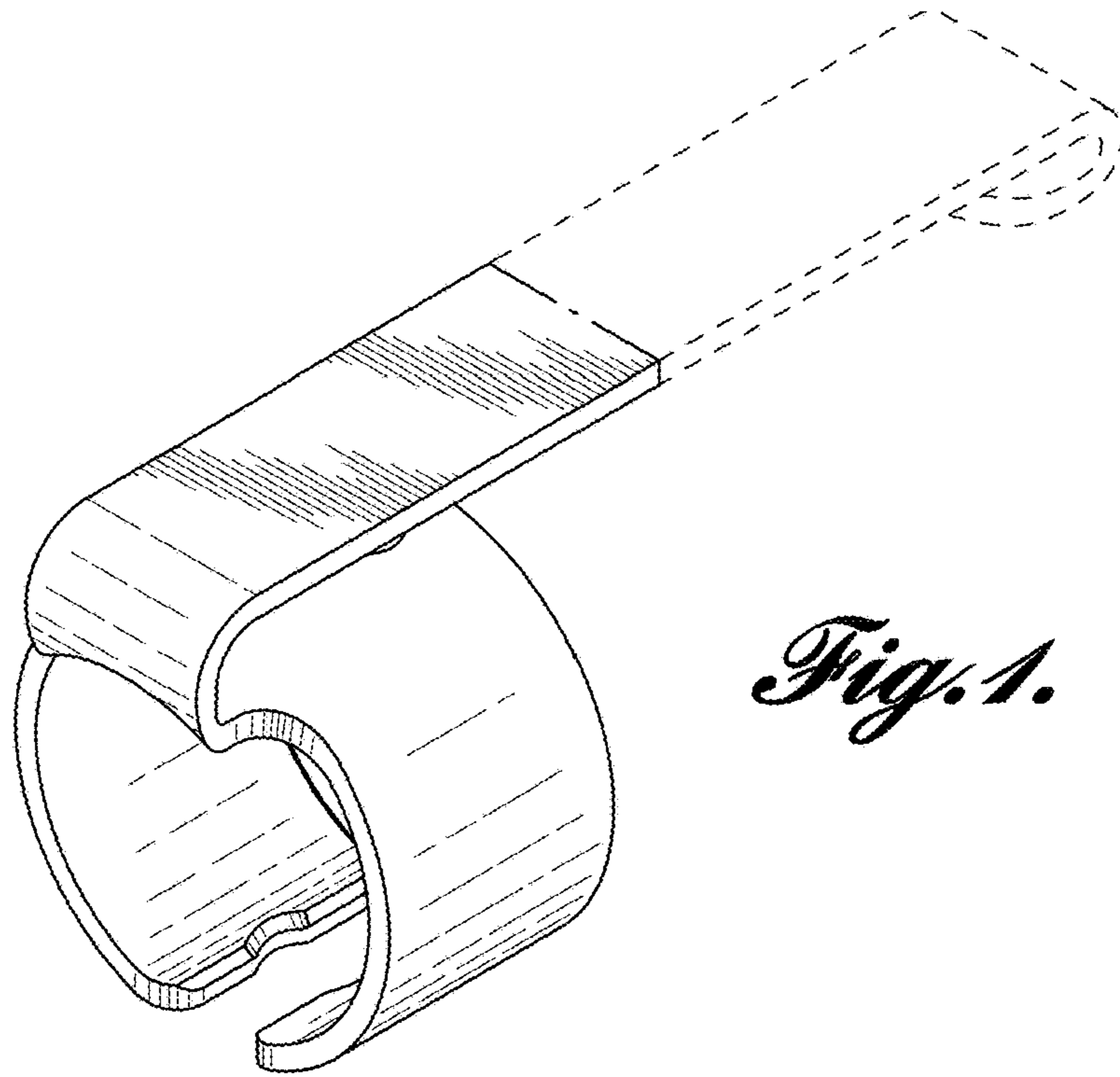


Fig. 1.

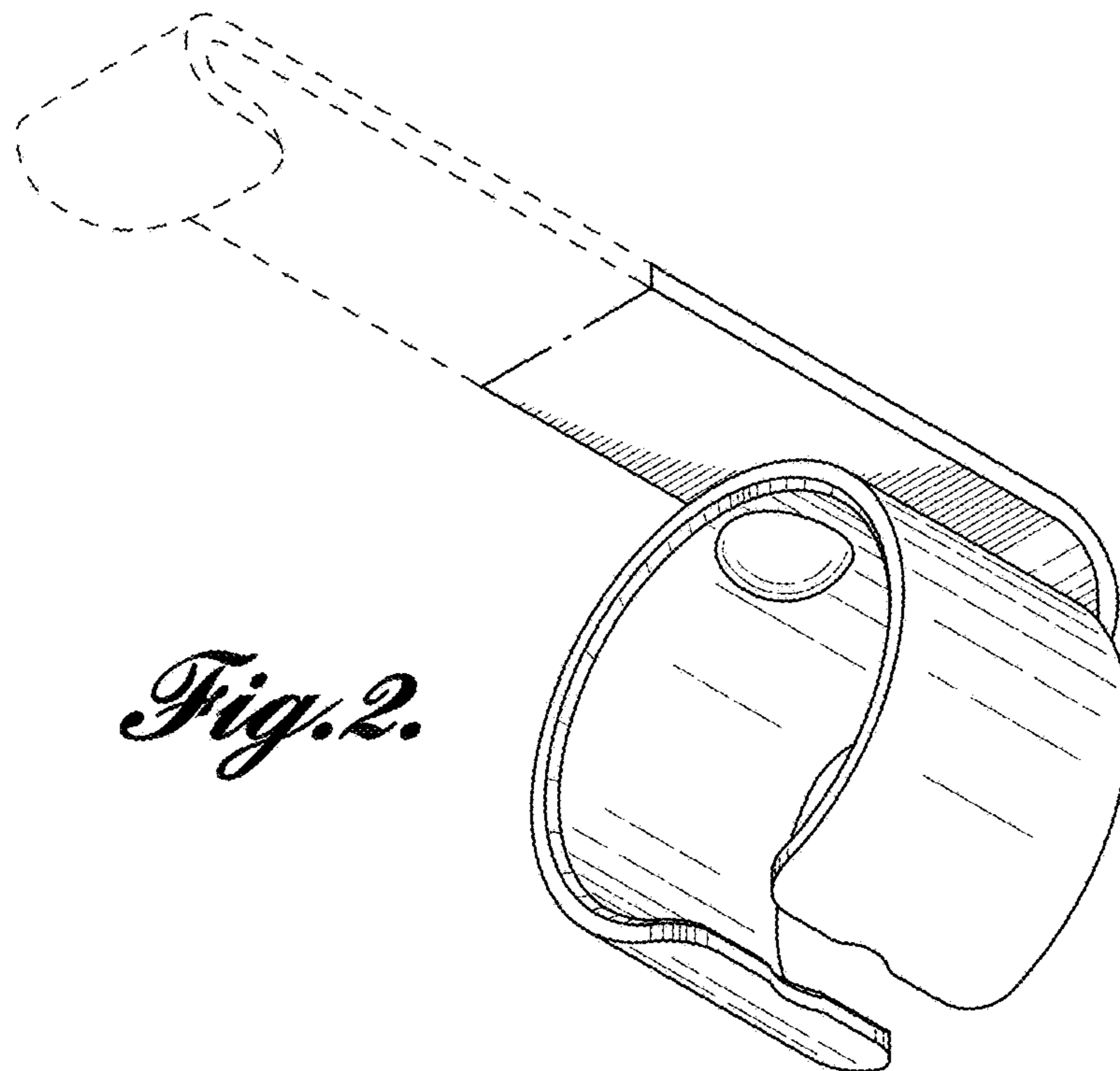


Fig. 2.

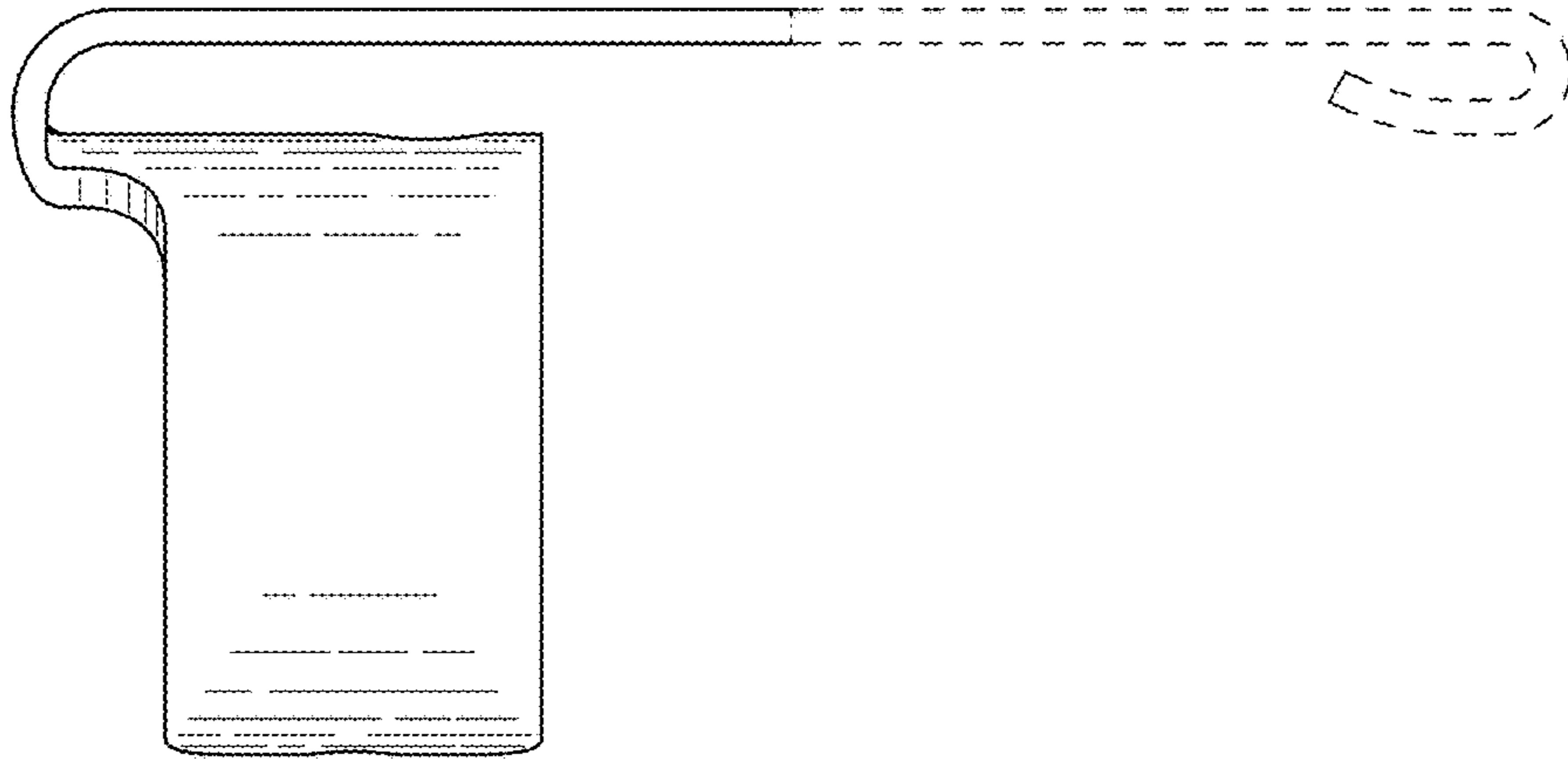


Fig. 3.

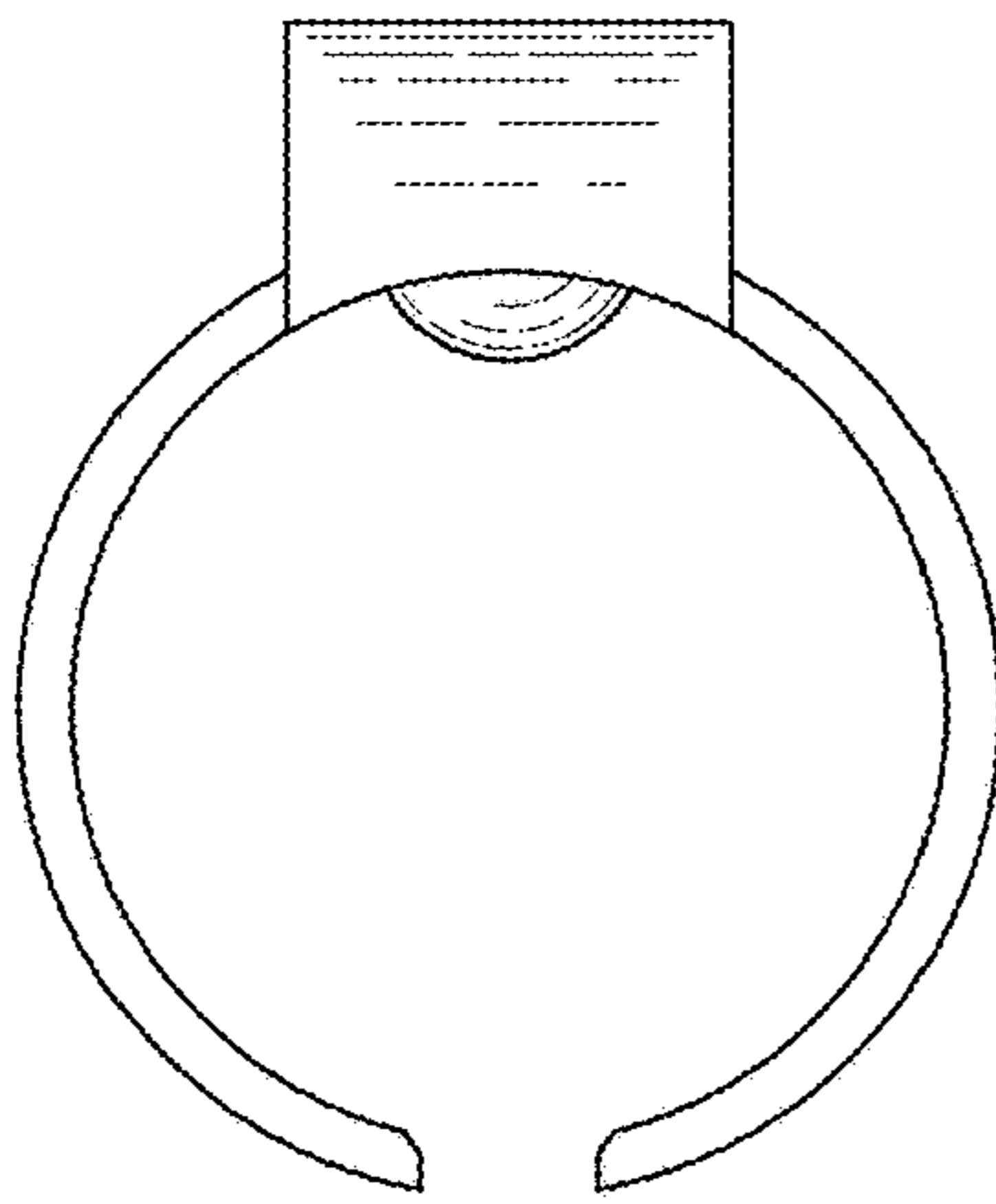


Fig. 4.

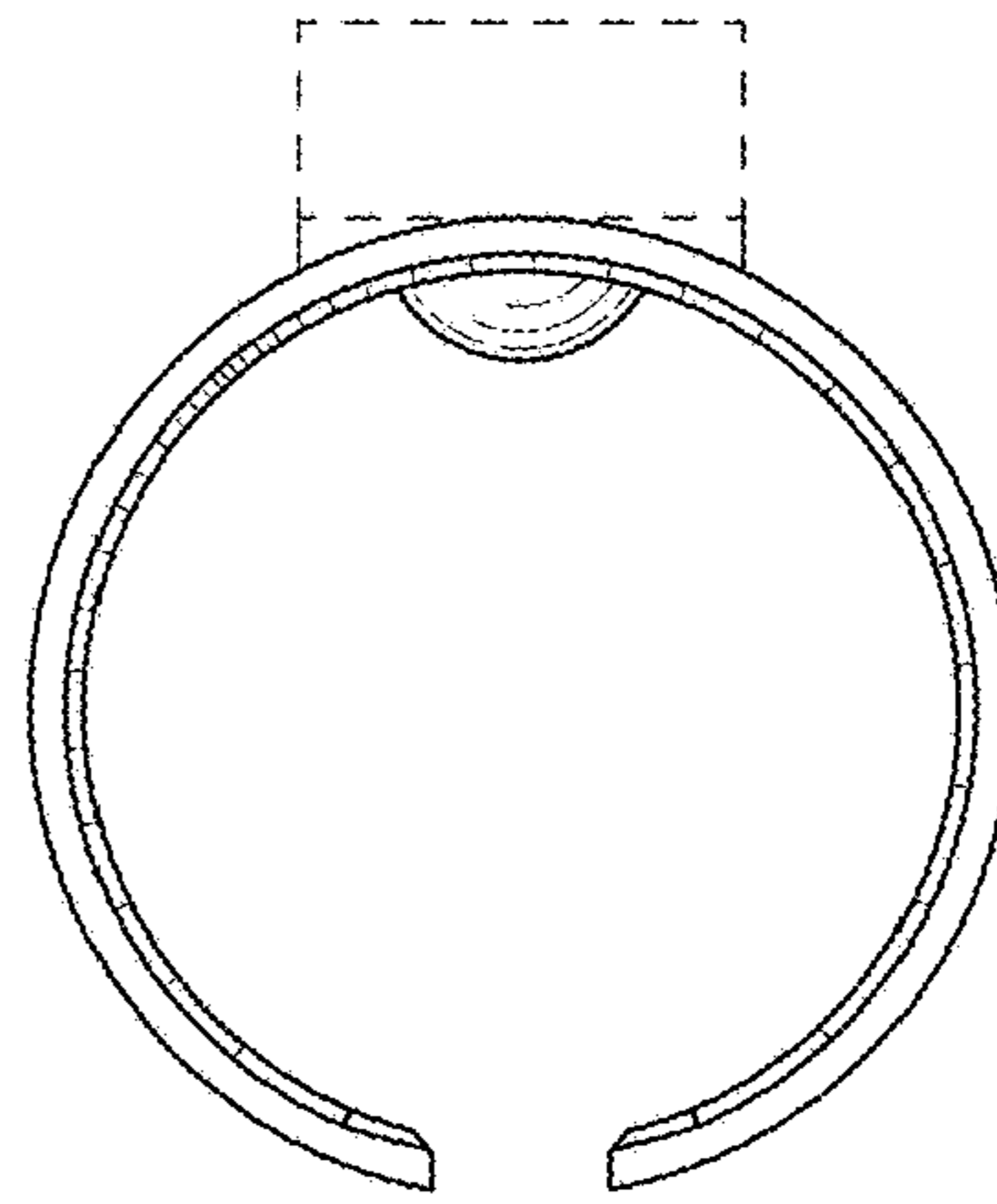


Fig. 5.

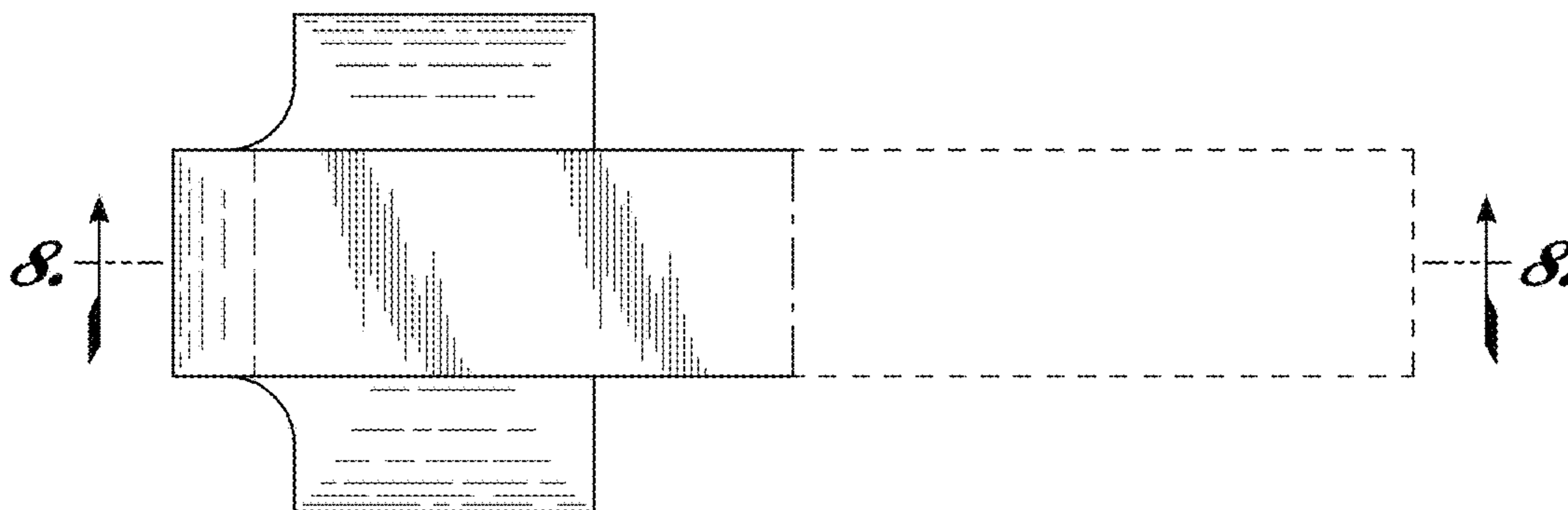


Fig. 6.

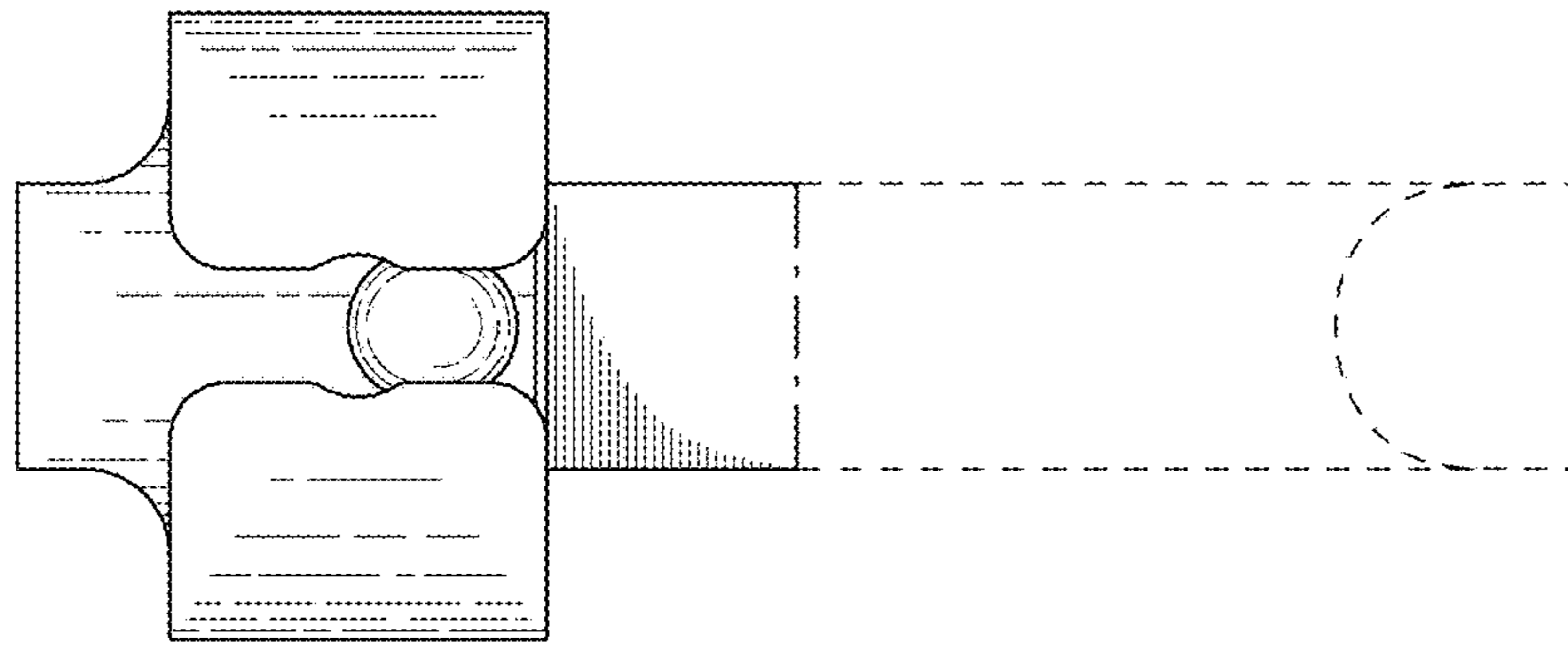


Fig. 7.

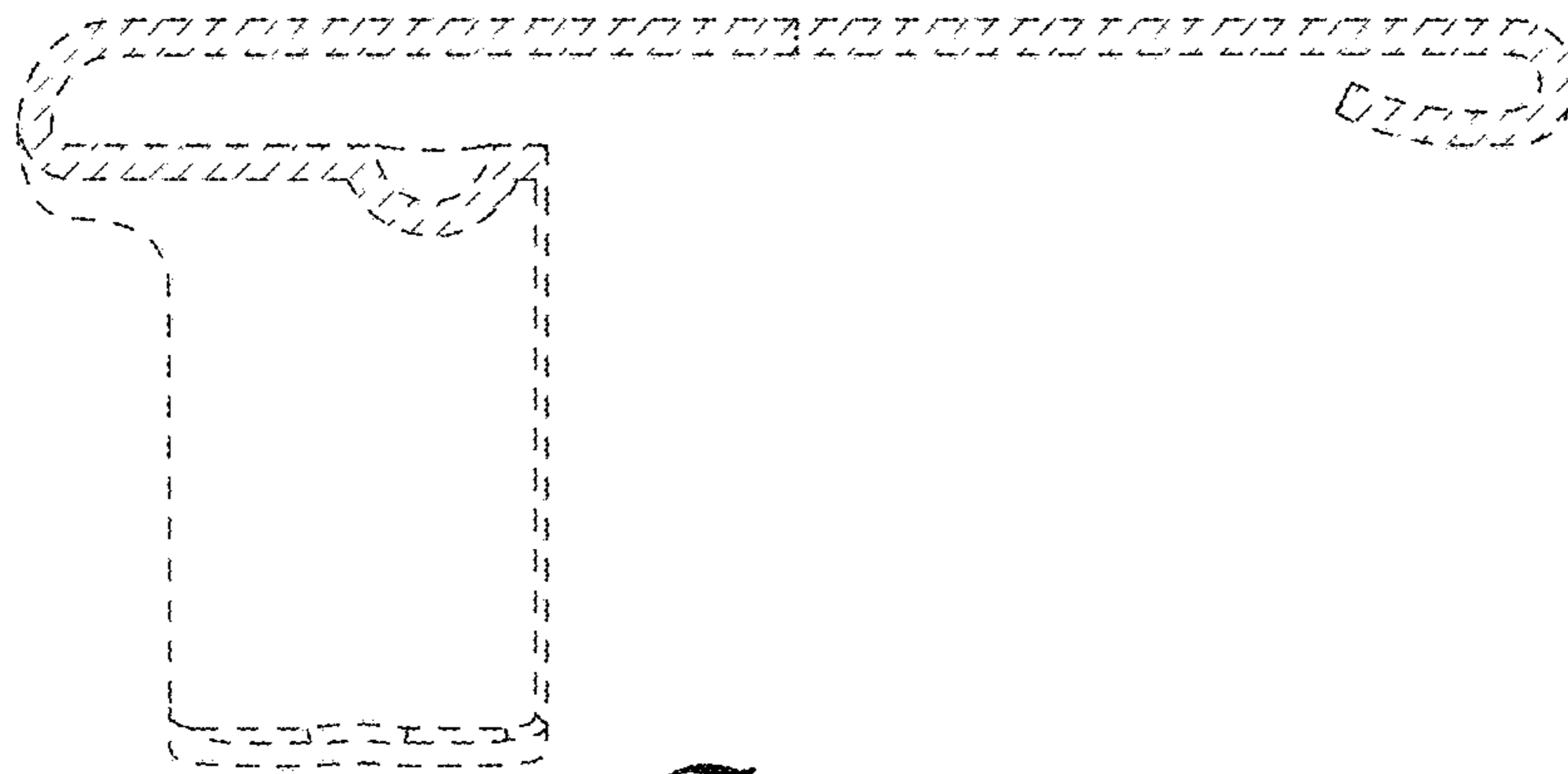


Fig. 8.

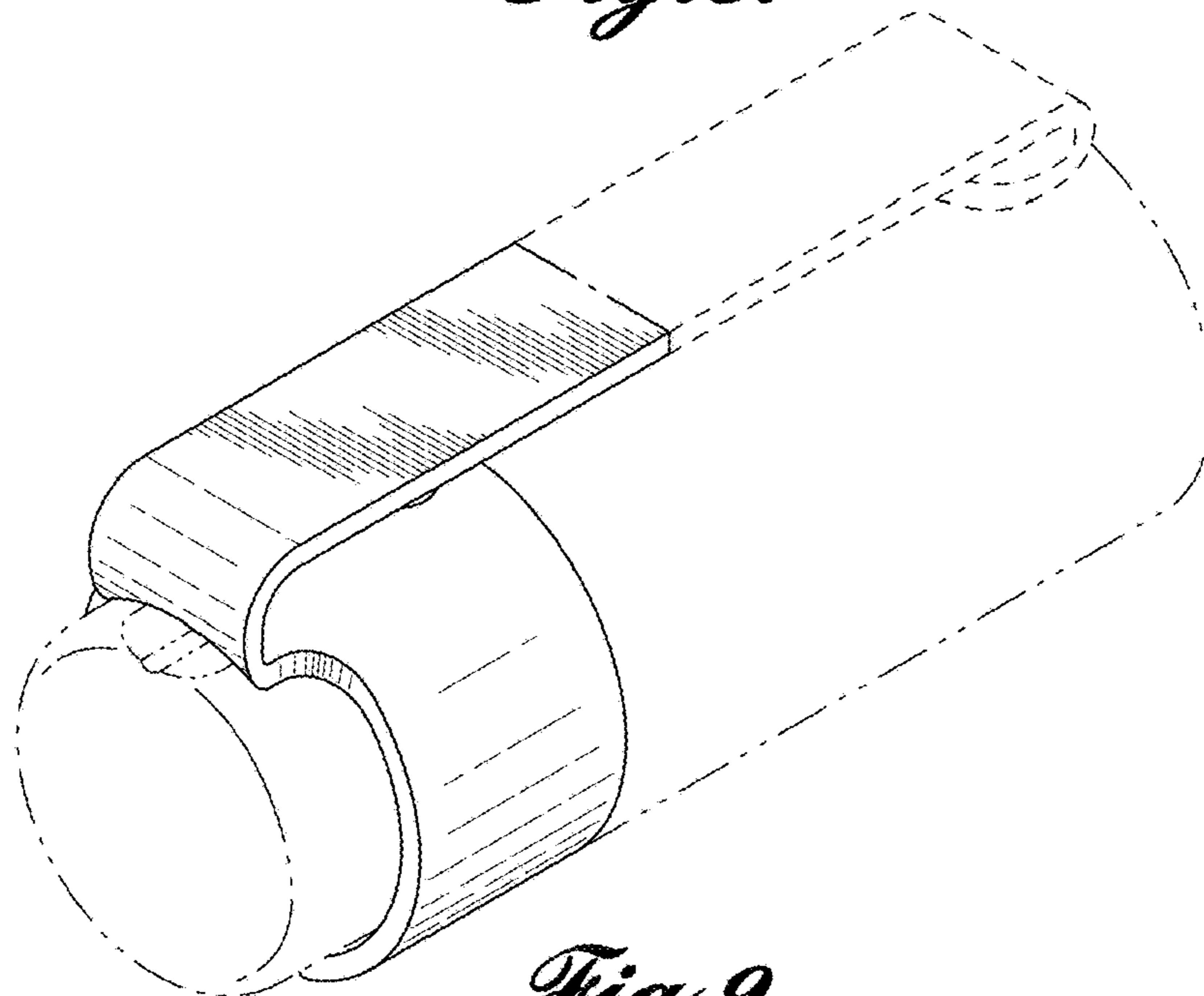


Fig. 9.

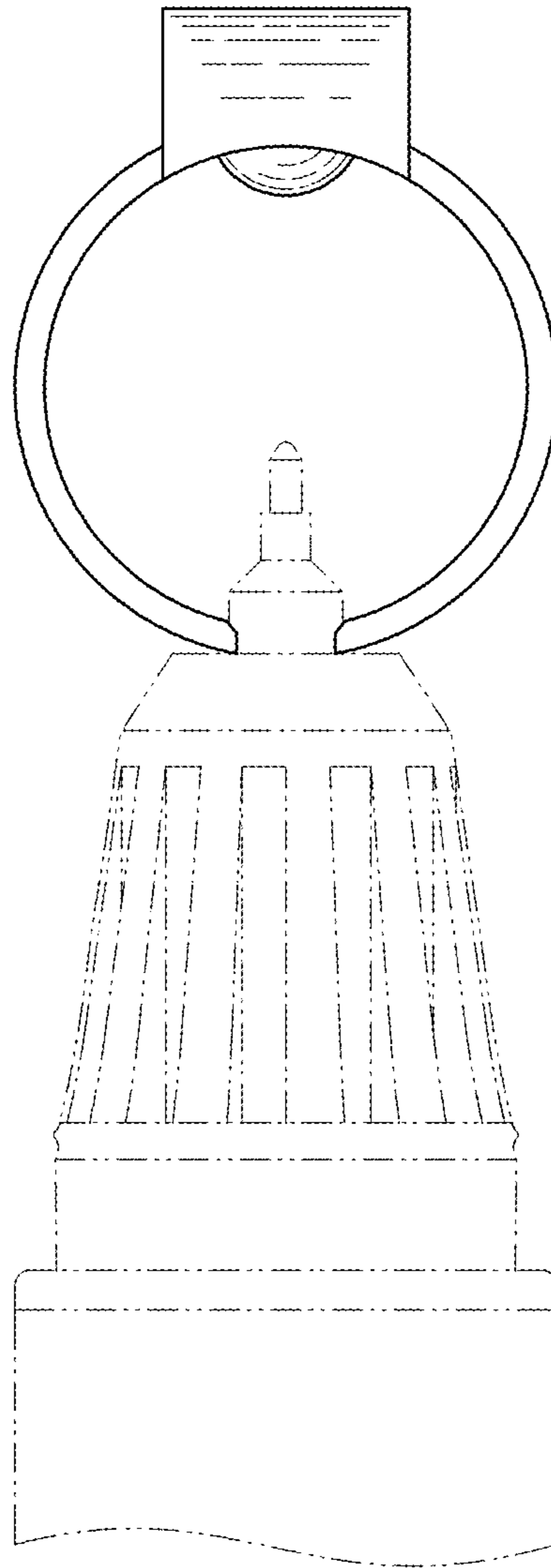


Fig. 10.

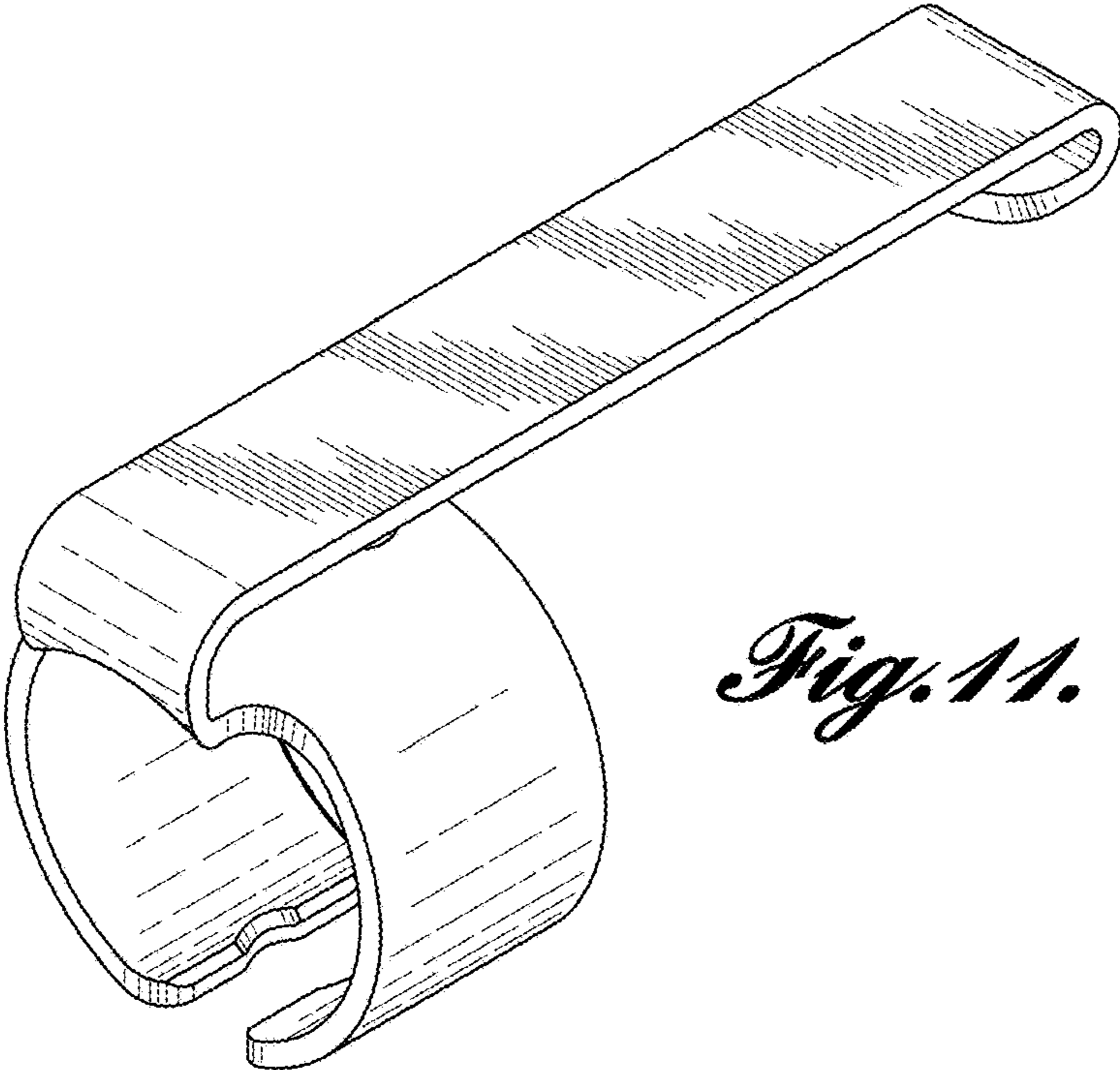


Fig. 11.

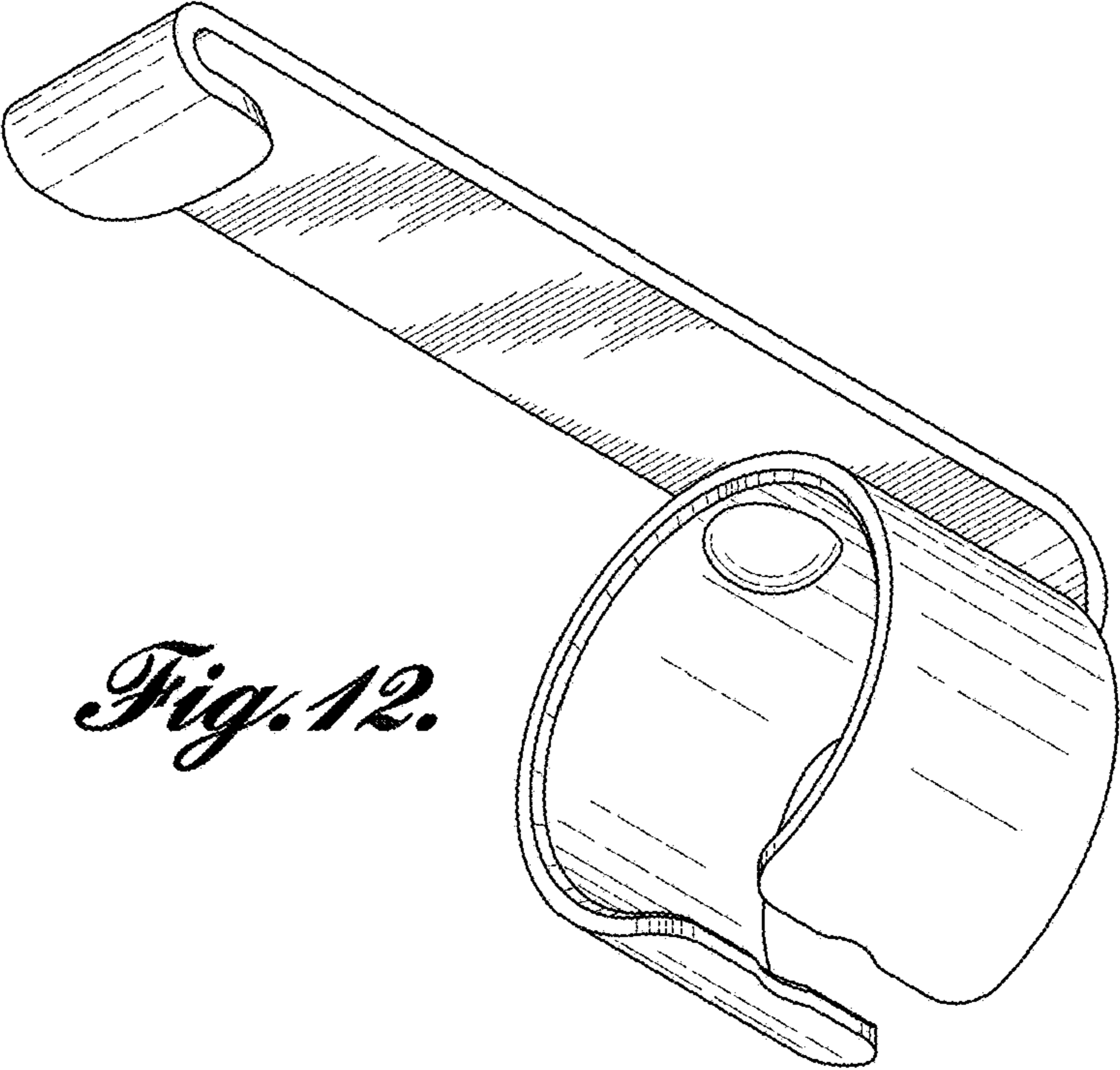


Fig. 12.

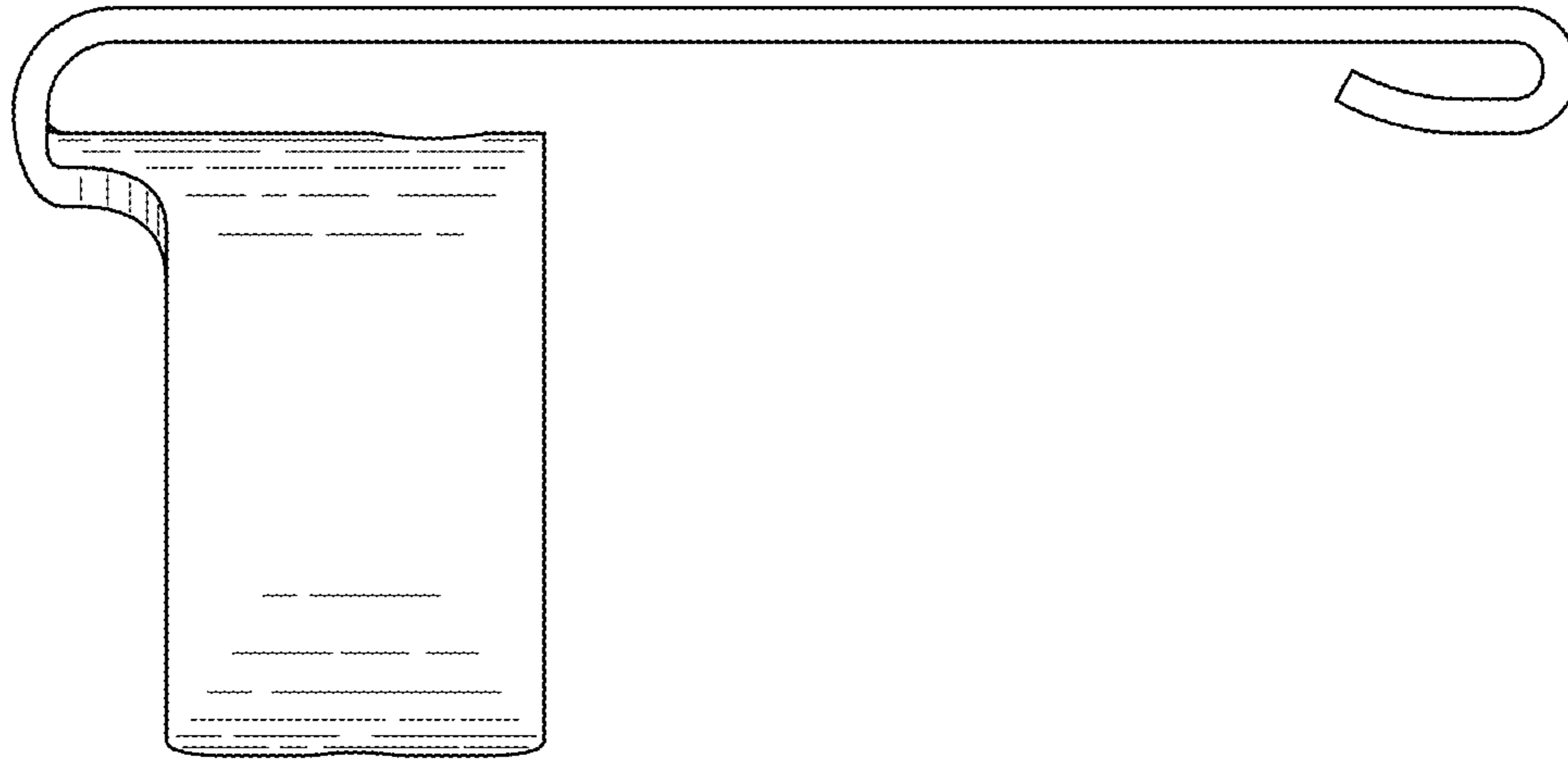


Fig. 13.

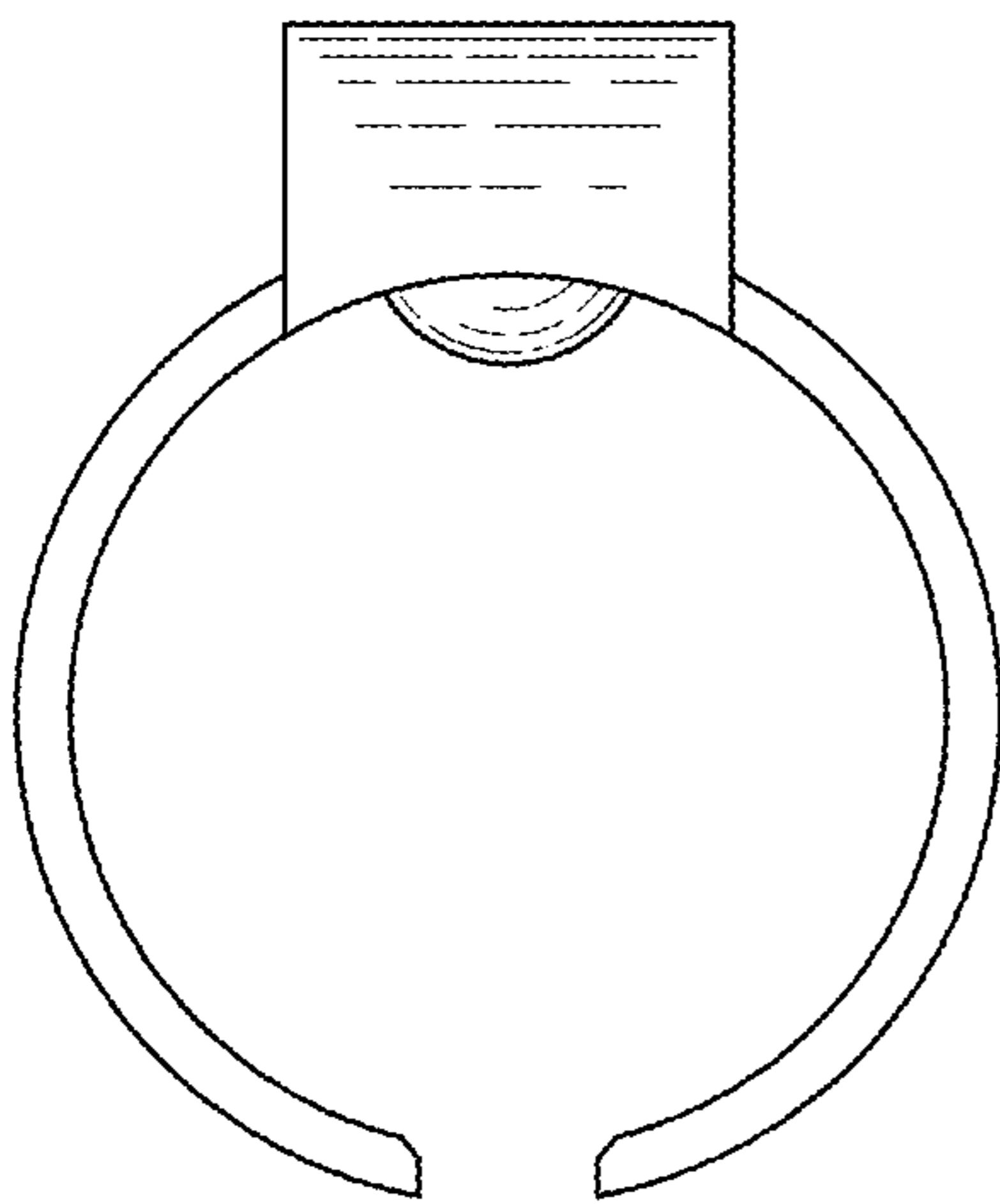


Fig. 14.

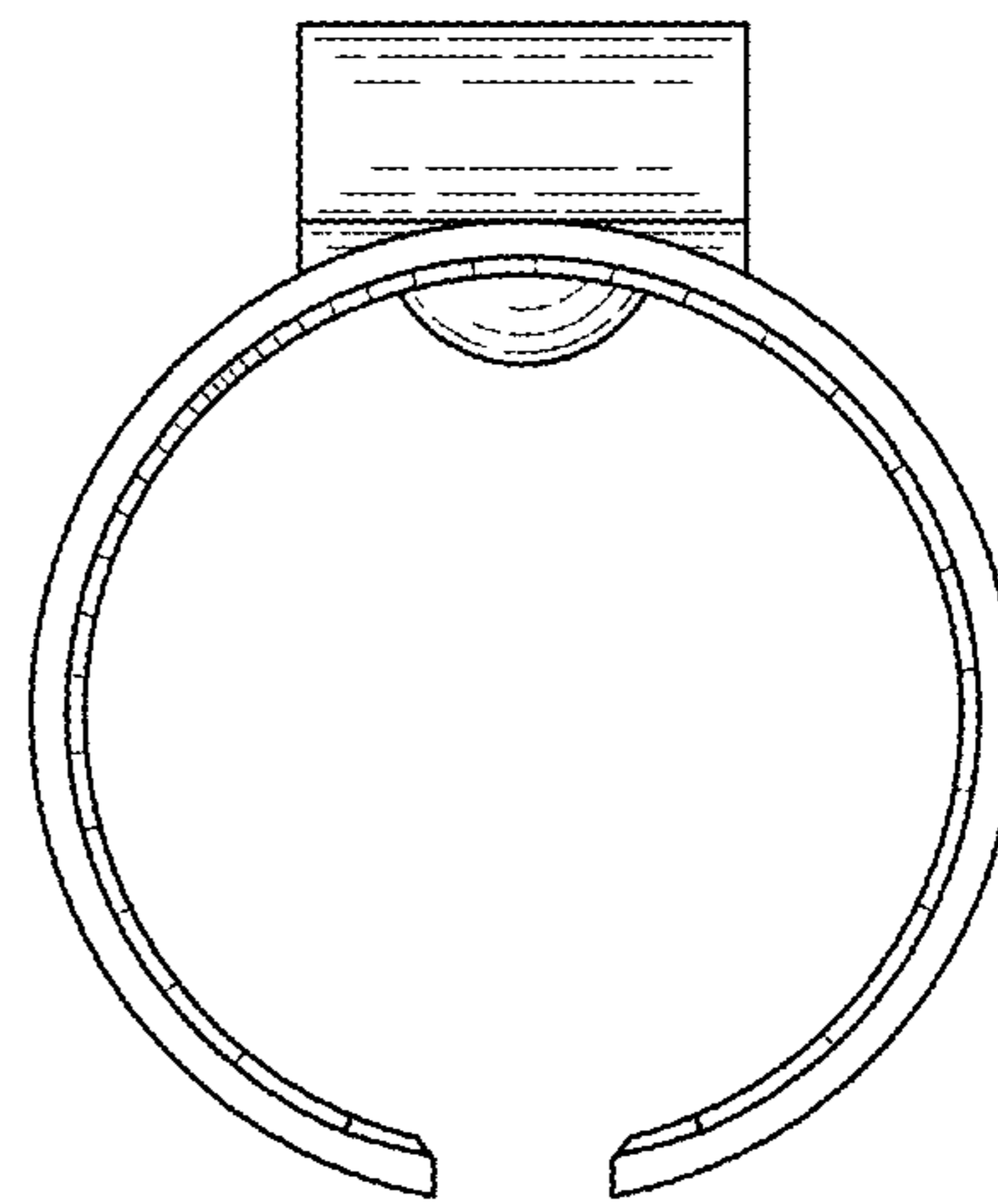


Fig. 15.

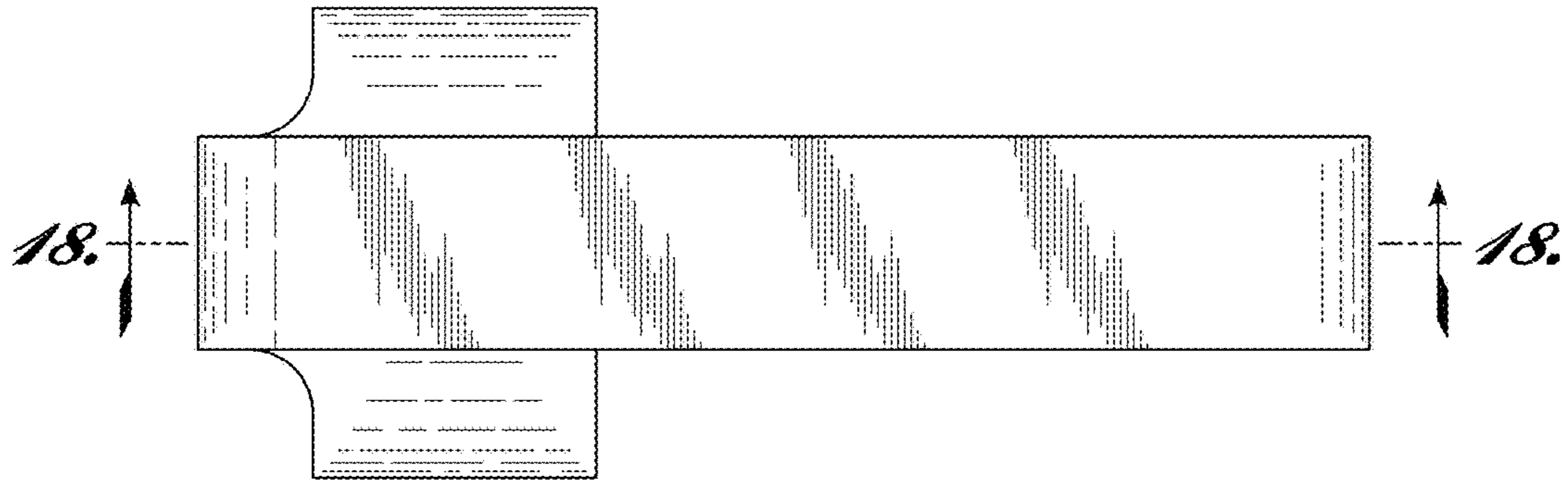


Fig. 16.

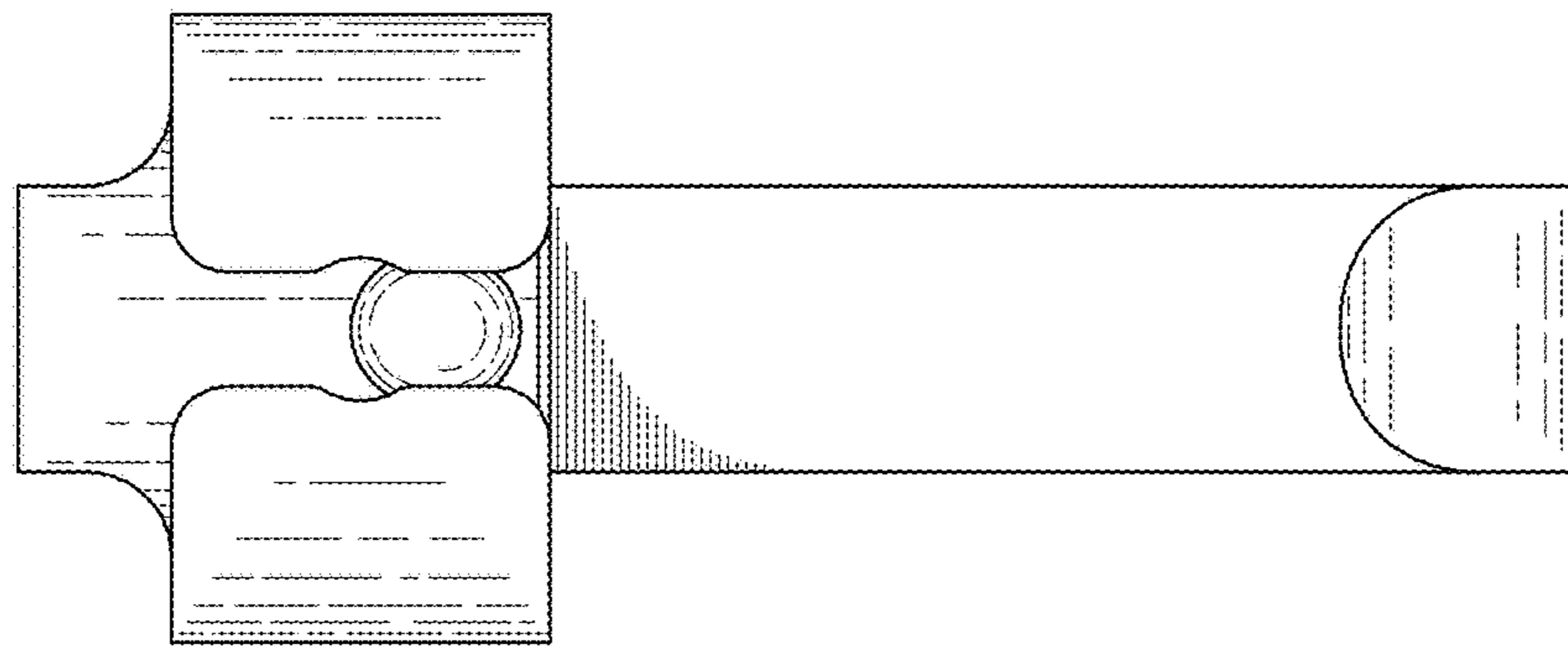


Fig. 17.

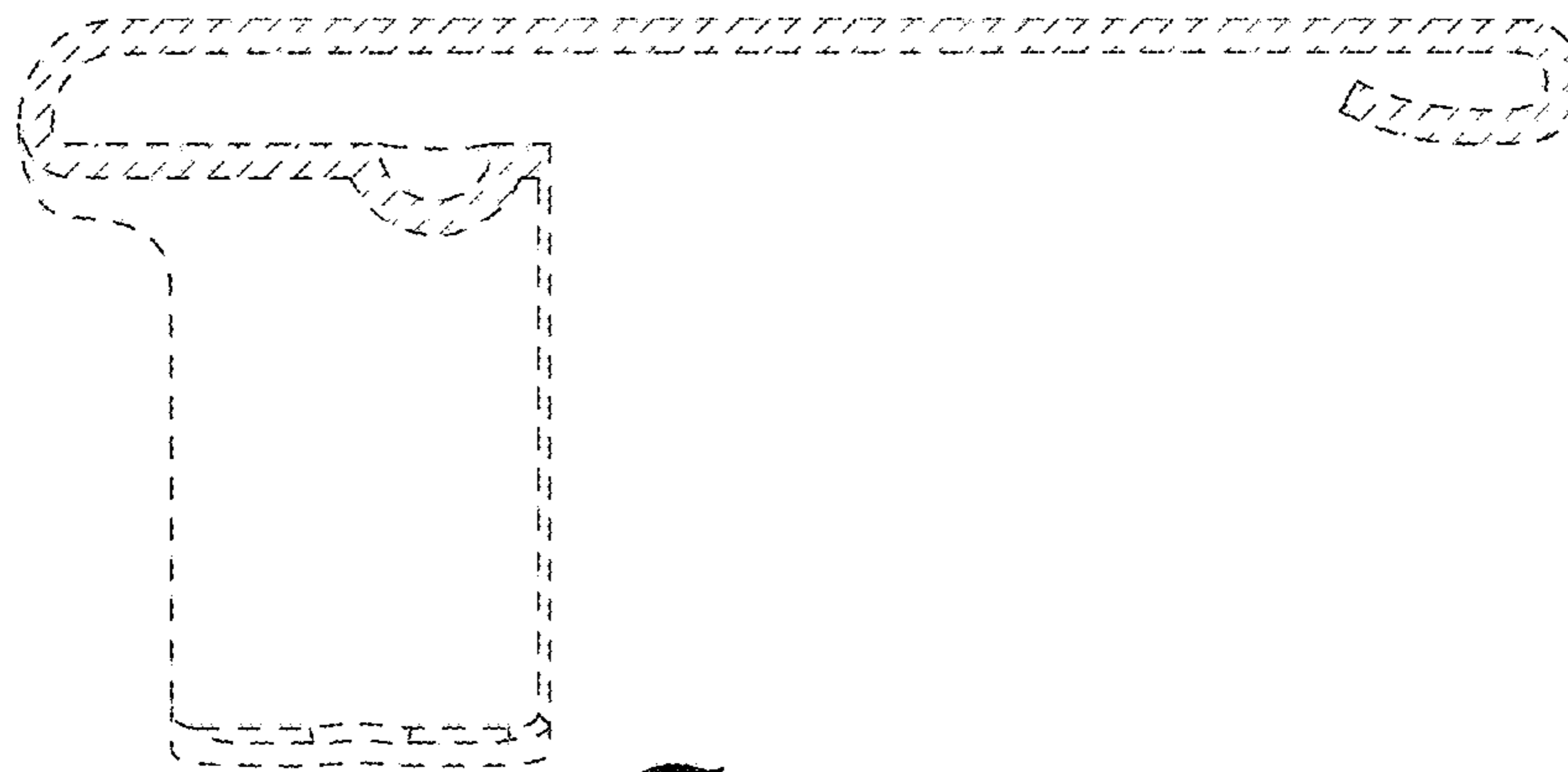


Fig. 18.

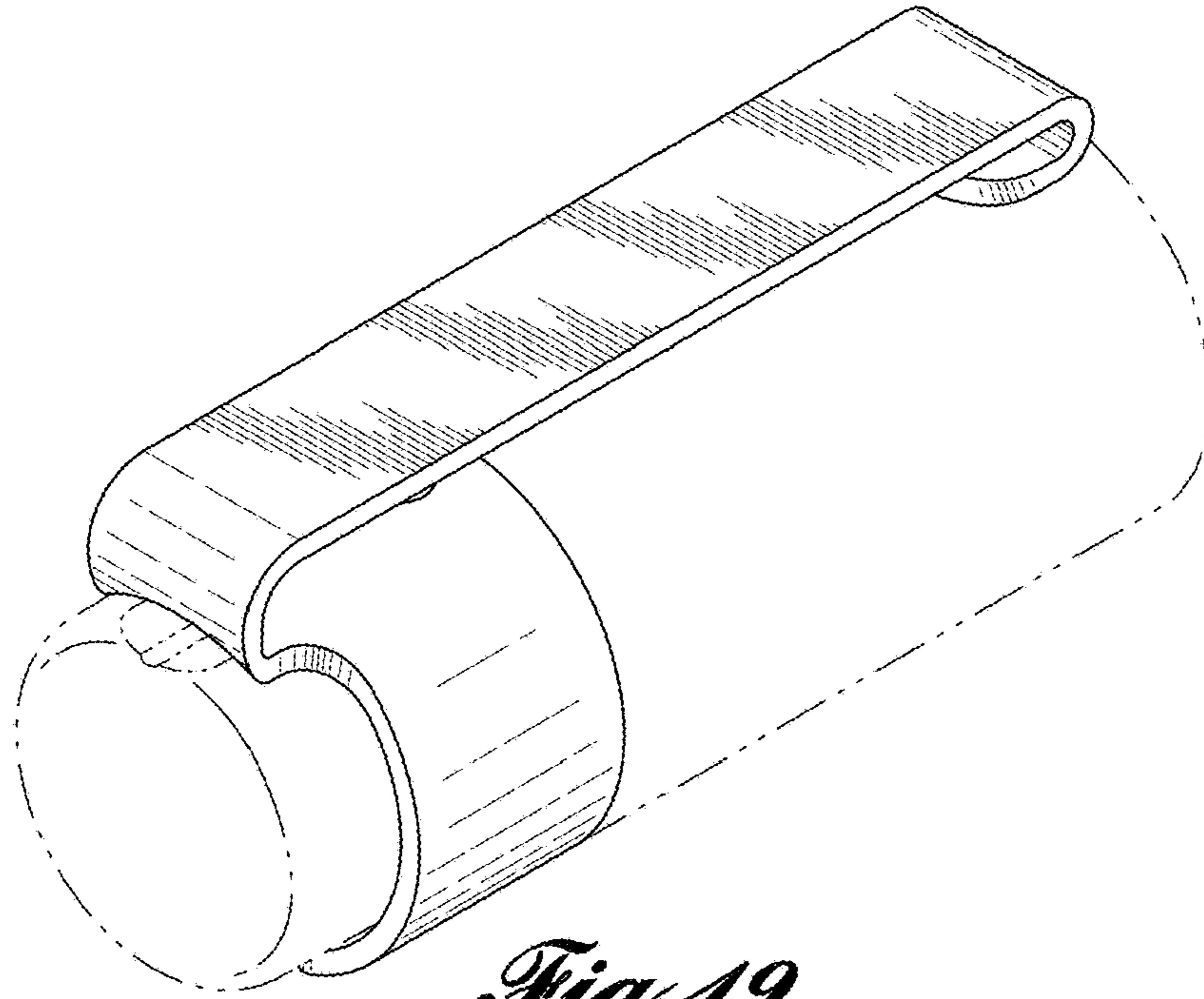


Fig. 19.

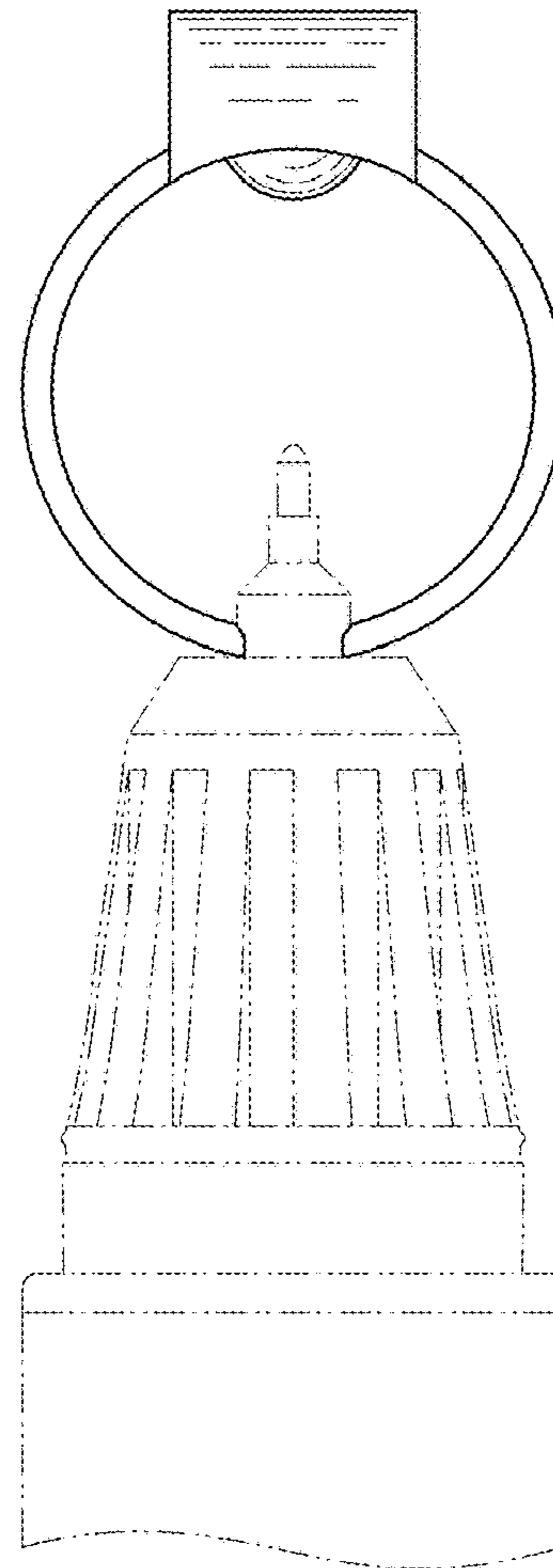


Fig. 20.