



US00D852886S

(12) **United States Design Patent** (10) **Patent No.:** **US D852,886 S**  
**Boisdevesys** (45) **Date of Patent:** **\*\* Jul. 2, 2019**

(54) **WRITING INSTRUMENT CAP**  
(71) Applicant: **Societe BIC**, Clichy (FR)  
(72) Inventor: **David Boisdevesys**, Vitry Sure Seine (FR)  
(73) Assignee: **SOCIETE BIC**, Clichy (FR)  
(\*\*) Term: **15 Years**

D353,227 S \* 12/1994 Desgrippes ..... D28/85  
D361,638 S \* 8/1995 Desgrippes ..... D28/76  
D447,174 S \* 8/2001 Kamiyama ..... D19/167  
D470,885 S \* 2/2003 Tahara ..... D19/117  
D482,065 S \* 11/2003 Hung ..... D19/117  
6,688,792 B1 \* 2/2004 Reichmann ..... B43K 27/08  
401/18  
D493,832 S \* 8/2004 Hung ..... D19/163  
D498,258 S 11/2004 Song  
(Continued)

(21) Appl. No.: **29/585,428**  
(22) Filed: **Nov. 23, 2016**  
(30) **Foreign Application Priority Data**

May 23, 2016 (EM) ..... 003147842

(51) **LOC (11) Cl.** ..... **19-06**  
(52) **U.S. Cl.**  
USPC ..... **D19/195**; D19/902; D19/913  
(58) **Field of Classification Search**  
USPC ..... D14/411; D19/115-204; D28/7, 76, 88  
CPC ... B43K 7/12; B43K 8/04; B43K 8/06; B43K  
19/00; B43K 19/02; B43K 19/14; B43K  
21/006; B43K 21/06; B43K 23/06; B43K  
24/08

See application file for complete search history.

(56) **References Cited**

**U.S. PATENT DOCUMENTS**

D190,349 S \* 5/1961 Doman ..... D19/201  
D260,272 S 8/1981 Horntrich  
D268,501 S 4/1983 Kruckel et al.  
D271,889 S 12/1983 Kruckel et al.  
D295,537 S \* 5/1988 Davidson ..... D19/117  
D301,486 S \* 6/1989 Yuen ..... D19/130  
D309,913 S 8/1990 Shintani  
D318,294 S \* 7/1991 Cho-Kai ..... D19/166  
D325,931 S \* 5/1992 Sekiguchi ..... D19/166  
D331,070 S 11/1992 Huang  
D332,283 S \* 1/1993 Voorhees ..... D19/166  
D340,947 S 11/1993 Tu

**OTHER PUBLICATIONS**

Trademark registration serial No. 76131977, registration No. 2863814, for: Design Only, Registration Date: Jul. 13, 2004; Owner: (Registrant) Schwan-STABILO Schwanhaeusser GmbH & Co. Corporation Fed Rep Germany Schwanweg 1 D-90562 Heroldsberg Fed Rep Germany, 1 page.

(Continued)

*Primary Examiner* — Elizabeth A. Albert  
(74) *Attorney, Agent, or Firm* — Ohlandt, Greeley, Ruggiero & Perle, L.L.P.

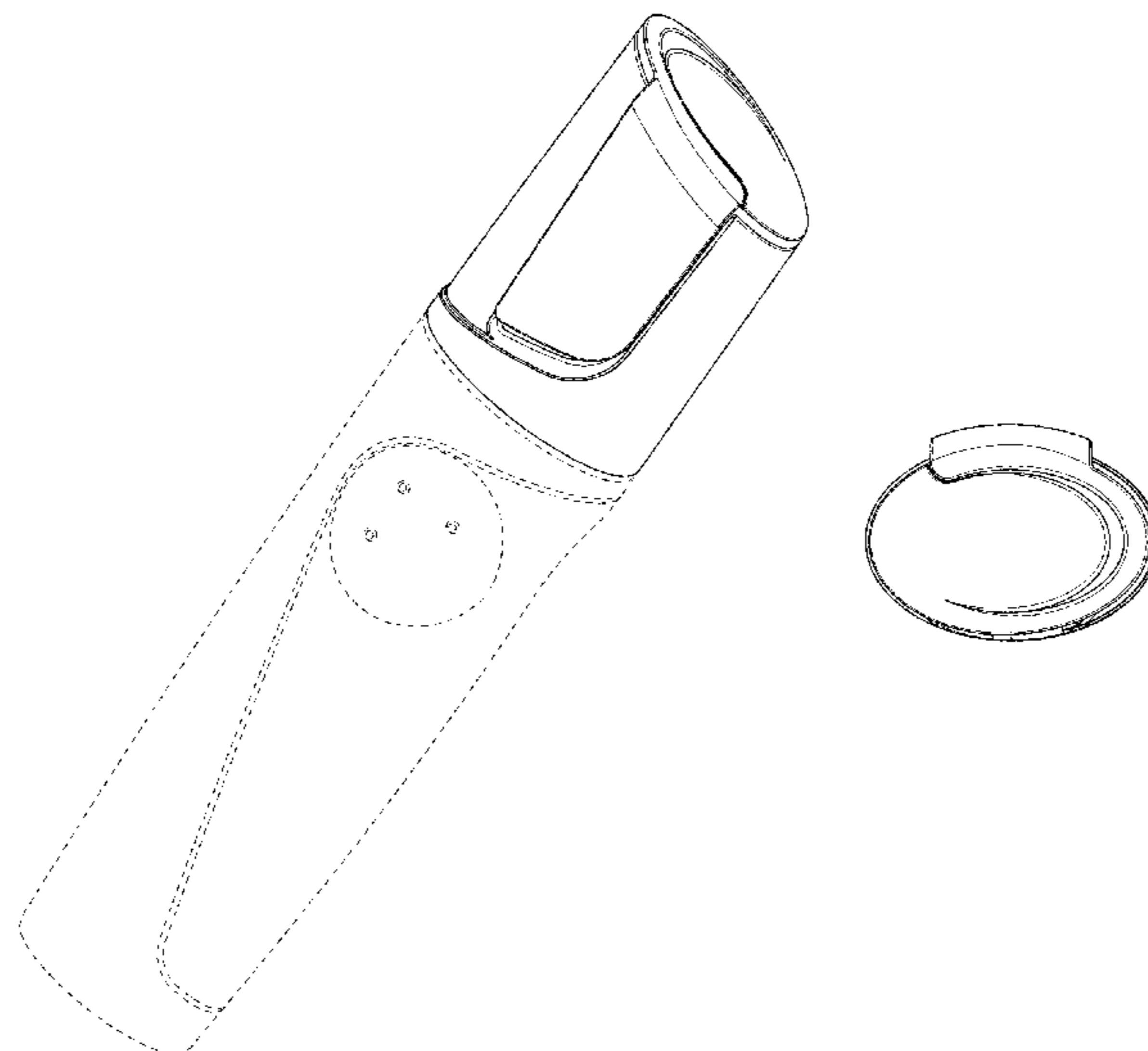
(57) **CLAIM**

The ornamental design for a writing instrument cap, as shown and described.

**DESCRIPTION**

FIG. 1 is a perspective view of a writing instrument cap according to the present invention;  
FIG. 2 is a front elevational view thereof;  
FIG. 3 is a rear elevational view thereof;  
FIG. 4 is a left side elevational view thereof;  
FIG. 5 is a right side elevational view thereof;  
FIG. 6 is a top plan view thereof;  
FIG. 7 is a bottom plan view thereof; and,  
FIG. 8 is a perspective view thereof.  
The broken lines in FIGS. 1-8 are for the purpose of illustrating environmental structure and form no part of the claimed design.

**1 Claim, 8 Drawing Sheets**



(56)

**References Cited**

U.S. PATENT DOCUMENTS

D500,081	S	12/2004	Hung	
D541,340	S	4/2007	Qiu	
D545,895	S *	7/2007	Okutani .....	D19/117
D550,283	S *	9/2007	Koreska .....	D19/66
D557,745	S *	12/2007	Isono .....	D19/194
D559,311	S	1/2008	Qiu et al.	
D567,852	S	4/2008	Qiu et al.	
D584,774	S *	1/2009	Morimura .....	D19/194
D590,876	S *	4/2009	Shi .....	D19/117
D596,230	S *	7/2009	Tan .....	D19/166
D601,193	S	9/2009	Li	
D601,194	S *	9/2009	Hung .....	D19/163
D607,052	S	12/2009	Siegel	
D608,827	S *	1/2010	Hung .....	D19/163
D612,421	S *	3/2010	Suero, Jr. ....	D19/163
D616,024	S *	5/2010	Siegel .....	D19/163
D616,496	S	5/2010	Liu	
D624,963	S	10/2010	Liu	
D628,631	S	12/2010	Liu	
D667,873	S	9/2012	Shi	
D667,874	S *	9/2012	Chen .....	D19/166
D669,123	S *	10/2012	Jiang .....	D19/165
D685,421	S *	7/2013	Jiang .....	D19/163
D691,654	S *	10/2013	Nishida .....	D19/163
D697,972	S *	1/2014	Jiang .....	D19/194
D699,288	S *	2/2014	Jiang .....	D19/163
D701,571	S *	3/2014	Perkins .....	D19/163
D780,266	S *	2/2017	Rimoux .....	D19/117
D791,234	S *	7/2017	Vadenne .....	D19/194

OTHER PUBLICATIONS

Stabilo Boss Original, Catalogue 2014, pp. 148-151 and p. 72.

\* cited by examiner

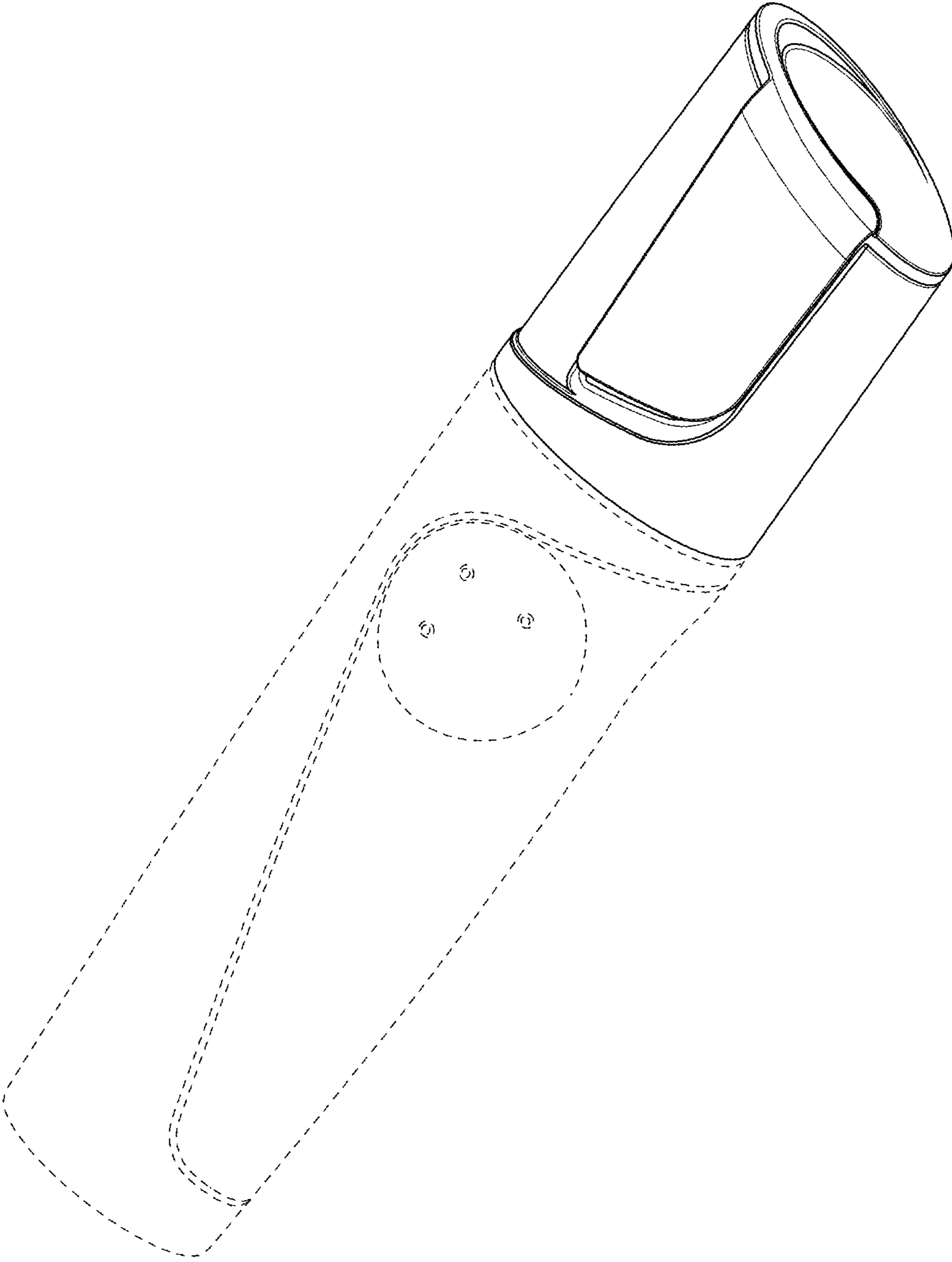


FIG. 1

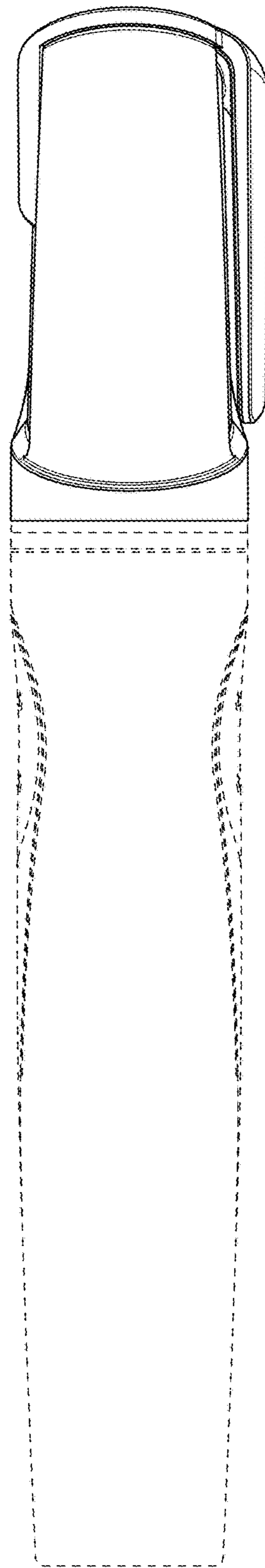


FIG. 2

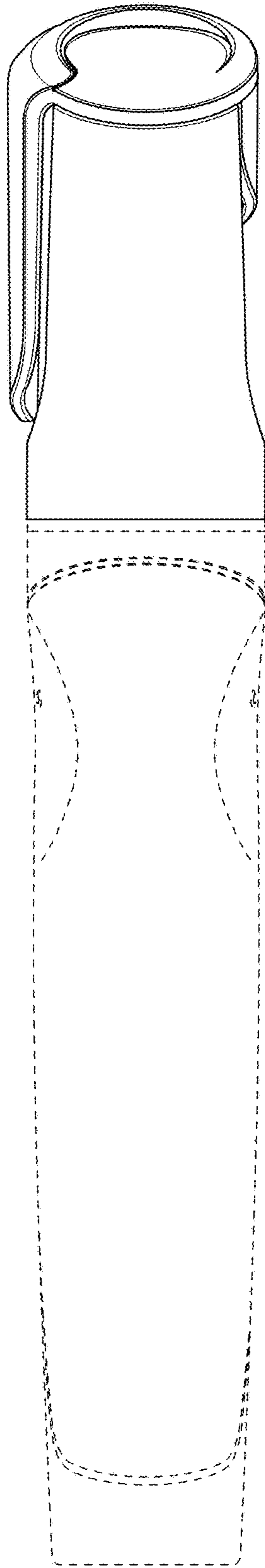


FIG. 3

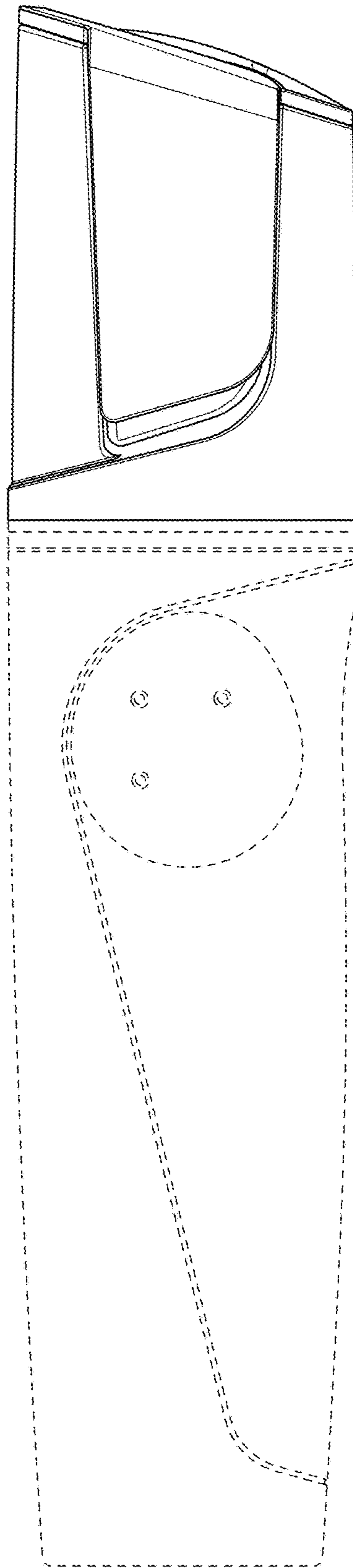


FIG. 4

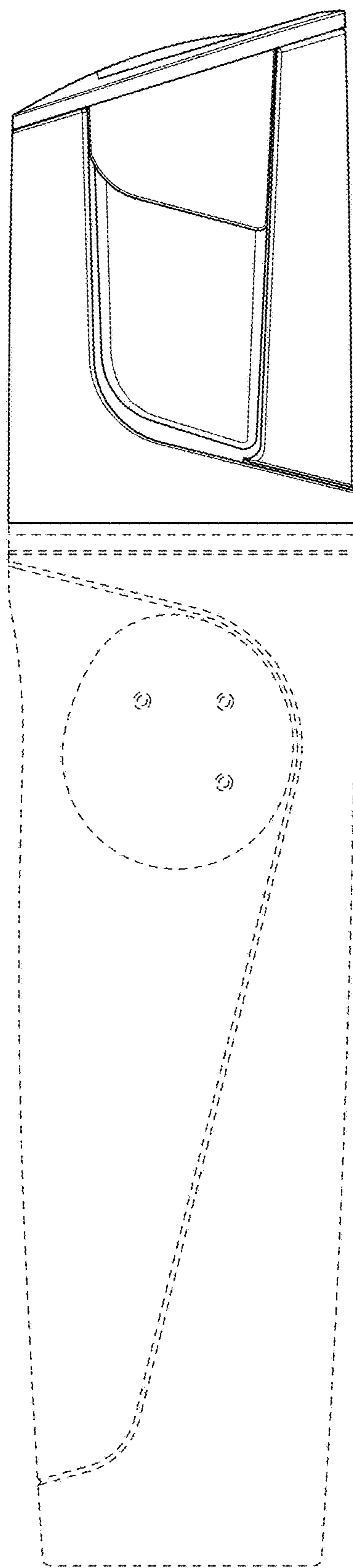
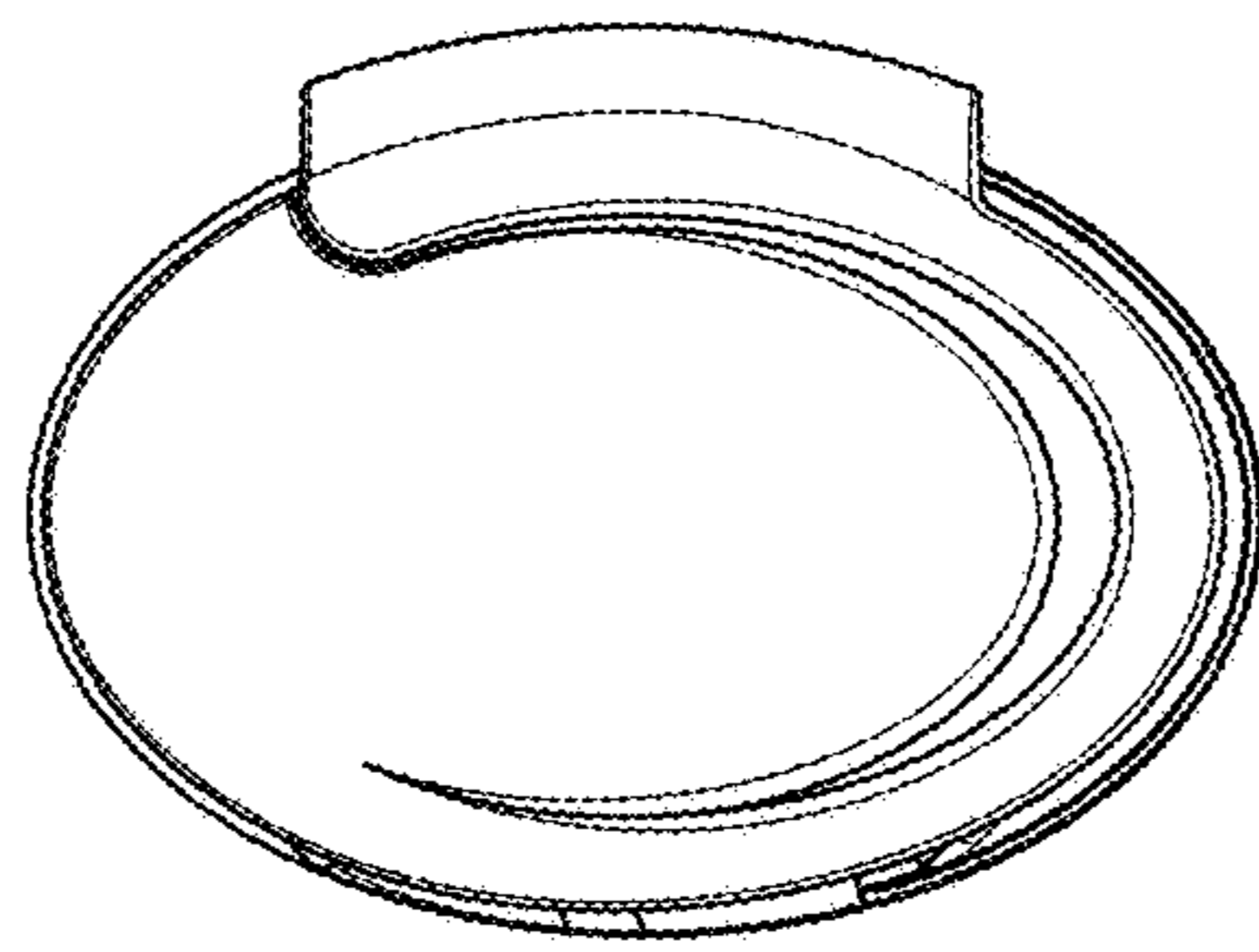
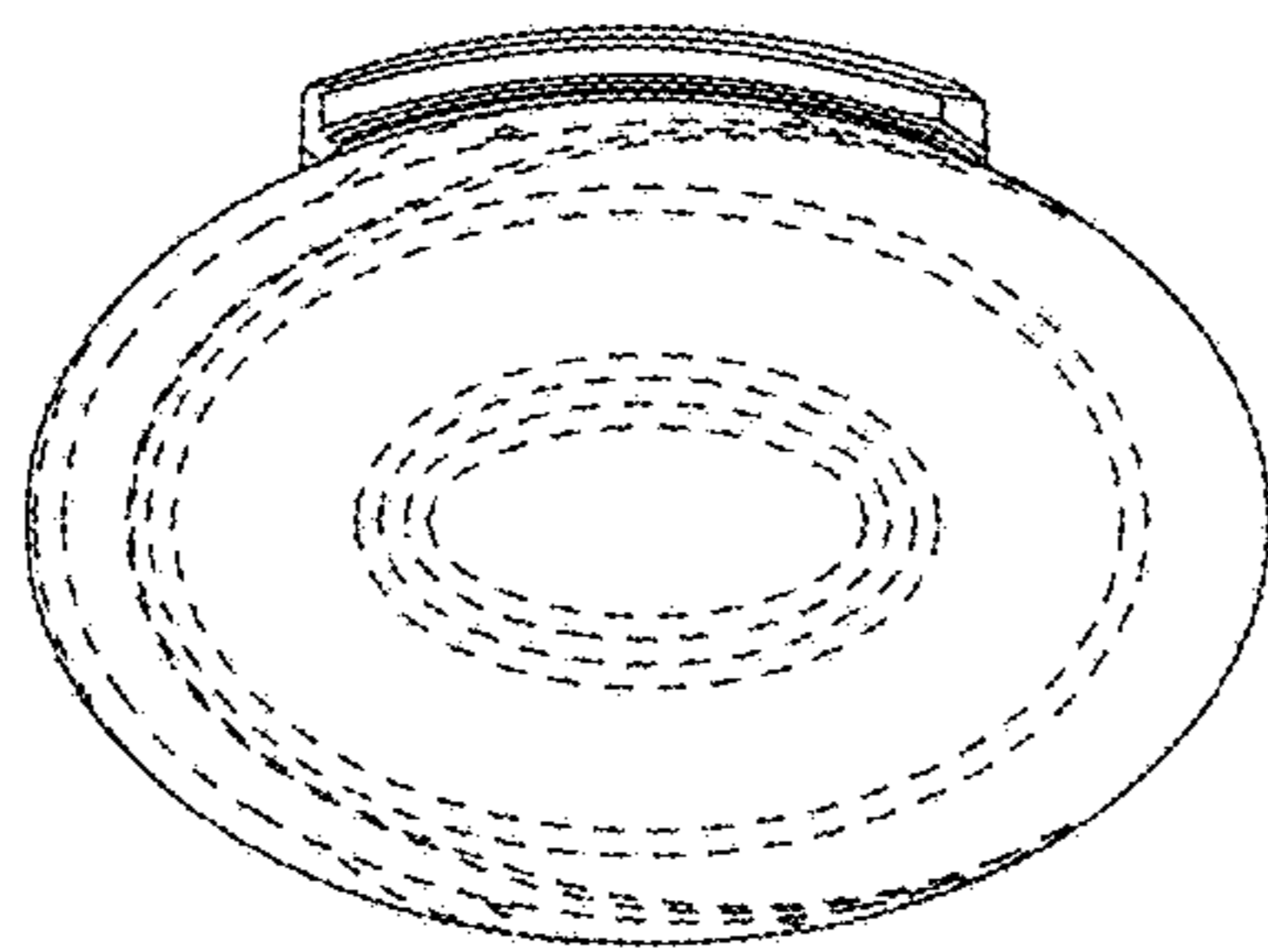


FIG. 5



*FIG. 6*





*FIG. 7*

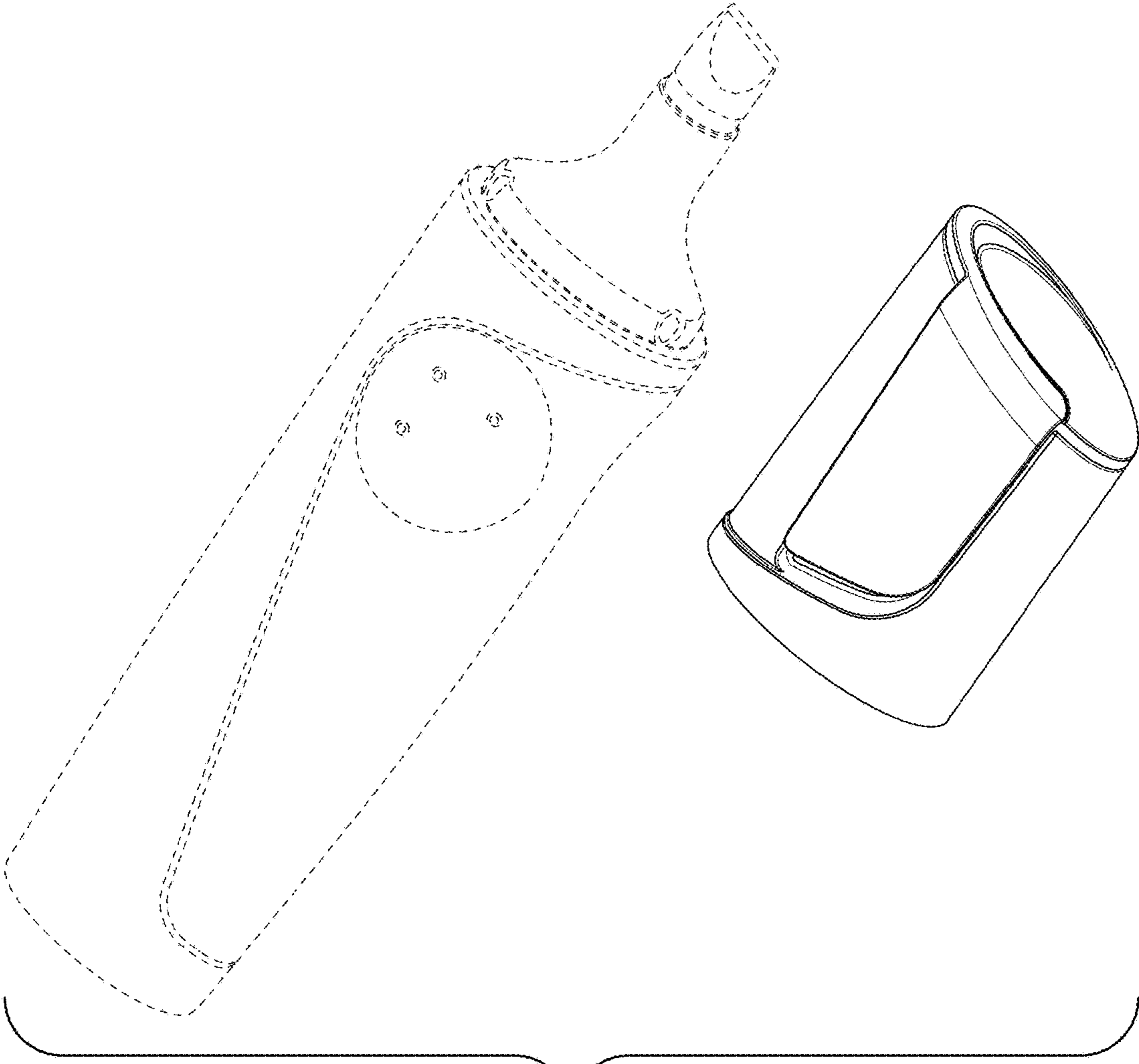


FIG. 8