



US00D852885S

(12) **United States Design Patent**  
**Wang**

(10) **Patent No.:** **US D852,885 S**  
(45) **Date of Patent:** **\*\* Jul. 2, 2019**

- (54) **PIN**
- (71) Applicant: **Height Metal & Springs Solution Limited, HuiZhou, Guangdong (CN)**
- (72) Inventor: **Hai Wang, HuiZhou (CN)**
- (73) Assignee: **Height Metal & Springs Solution Limited, HuiZhou, Guangdong (CN)**
- (\*\*) Term: **15 Years**
- (21) Appl. No.: **29/632,081**
- (22) Filed: **Jan. 4, 2018**
- (51) **LOC (11) Cl.** ..... **19-02**
- (52) **U.S. Cl.**  
USPC ..... **D19/65; D8/388**
- (58) **Field of Classification Search**  
USPC ..... D8/1, 367, 388, 391, 382, 384, 385;  
D19/65, 99, 86  
CPC ..... F16B 13/00; F16B 13/126; F16B 15/00;  
F16B 21/082; E04B 2002/0243; E04B  
2002/0245; E04H 12/2215; A47G 1/20;  
A47G 1/16; A47G 1/162; A47G 1/1633;  
A47G 1/1686; A47G 1/18; A47G  
2001/207; A47G 1/22; B43M 15/00  
See application file for complete search history.

- (56) **References Cited**  
U.S. PATENT DOCUMENTS  
D149,099 S \* 3/1948 Sweet ..... D8/391  
4,005,507 A \* 2/1977 Yamazaki ..... B43M 15/00  
24/351  
D274,207 S \* 6/1984 Lenaghan ..... 294/5  
4,897,007 A \* 1/1990 Chen ..... F16B 15/06  
16/441  
5,096,149 A \* 3/1992 Riese ..... F16B 25/0005  
248/216.1

- D414,207 S \* 9/1999 Wagner ..... D19/65
- 6,061,240 A \* 5/2000 Butterbaugh ..... H01L 23/4093  
165/80.2
- 6,132,060 A \* 10/2000 Gallo ..... B43M 15/00  
362/190
- 6,331,937 B1 \* 12/2001 Bartyzel ..... H01L 23/4093  
257/718
- 6,409,445 B1 \* 6/2002 Beale ..... F16B 25/0005  
411/439
- D466,937 S \* 12/2002 Kochlefl ..... D19/65
- D508,533 S \* 8/2005 Siegel ..... D19/65
- D582,481 S \* 12/2008 Vaughn ..... D19/65
- D620,048 S \* 7/2010 Lien ..... D19/65
- 2003/0069603 A1 \* 4/2003 Little ..... A61B 17/064  
606/219
- 2006/0155288 A1 \* 7/2006 Little ..... A61F 9/00727  
606/75
- 2015/0133972 A1 \* 5/2015 Ranucci ..... A61B 17/064  
606/151

\* cited by examiner

*Primary Examiner* — Sandra S Snapp  
*Assistant Examiner* — Ieisha N Price

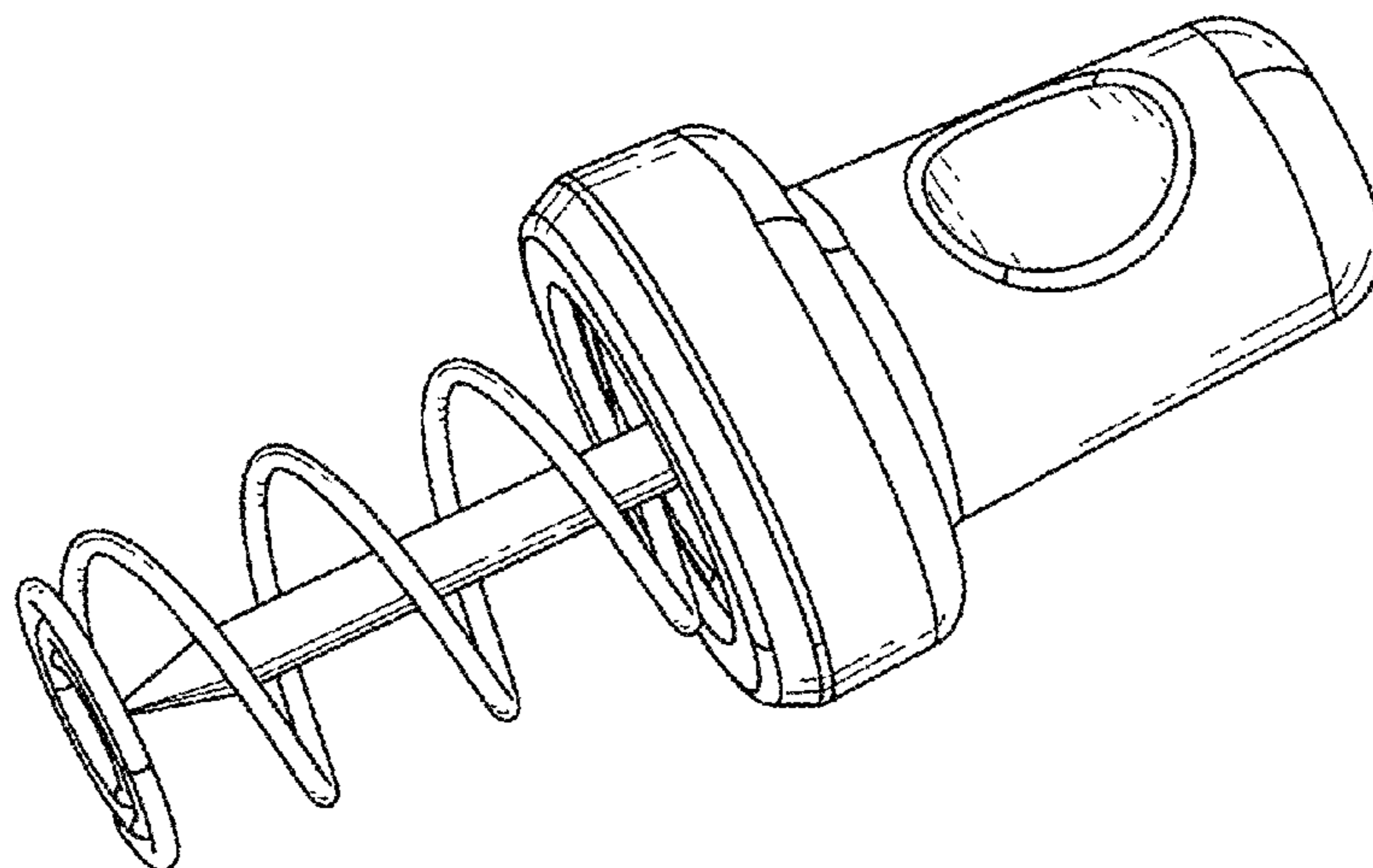
(57) **CLAIM**

The ornamental design for a pin, as shown and described.

**DESCRIPTION**

FIG. 1 is a perspective view of a pin showing my new design;  
 FIG. 2 is a front elevational view thereof;  
 FIG. 3 is a left elevational view thereof;  
 FIG. 4 is a right side elevational view thereof;  
 FIG. 5 is a top view thereof;  
 FIG. 6 is a bottom plan view thereof; and,  
 FIG. 7 is a perspective view of the pin showing a spring being pressed.  
 The broken lines in the drawings illustrate portions of the pin and form no part of the claimed design.

**1 Claim, 7 Drawing Sheets**



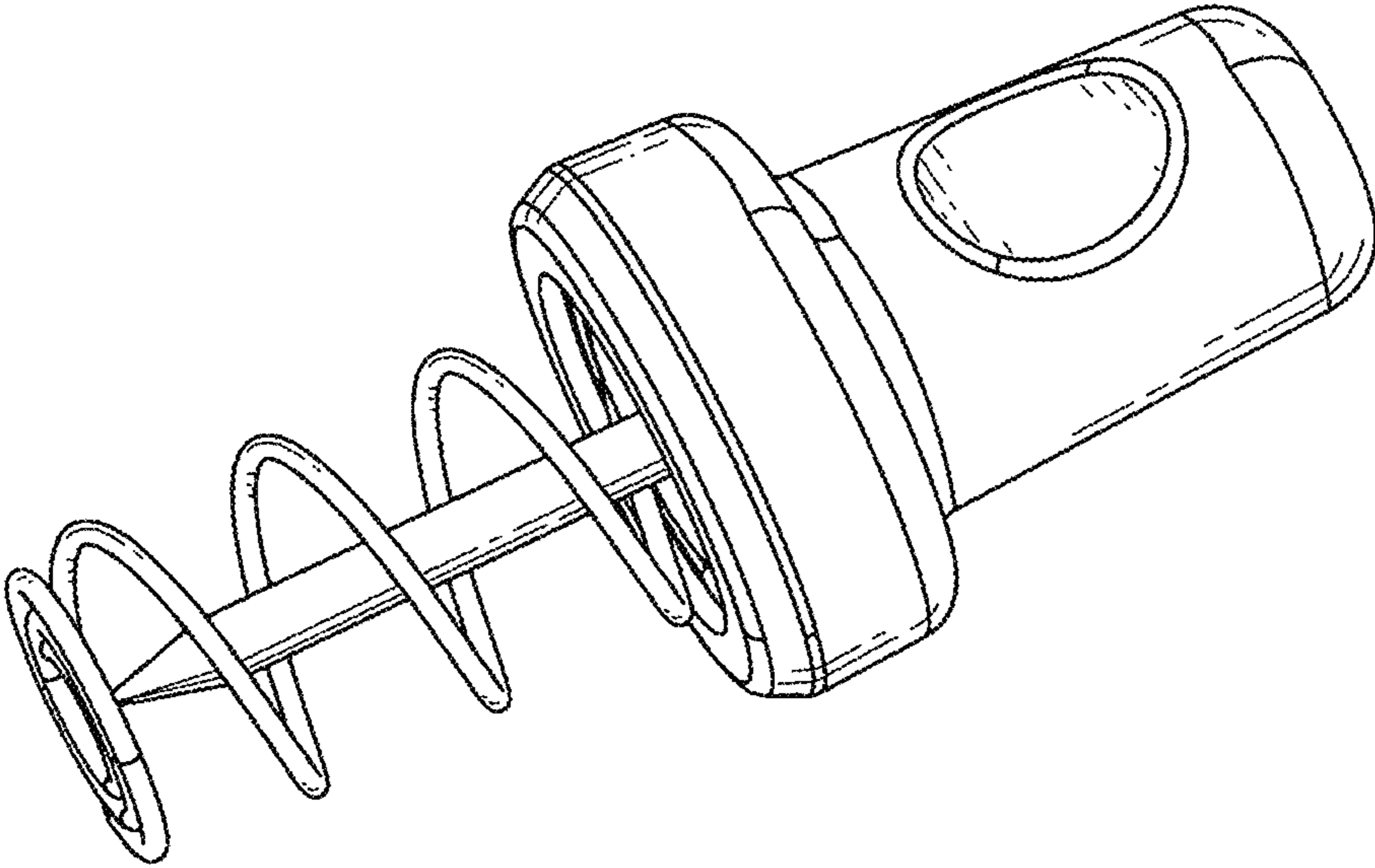


Fig.1

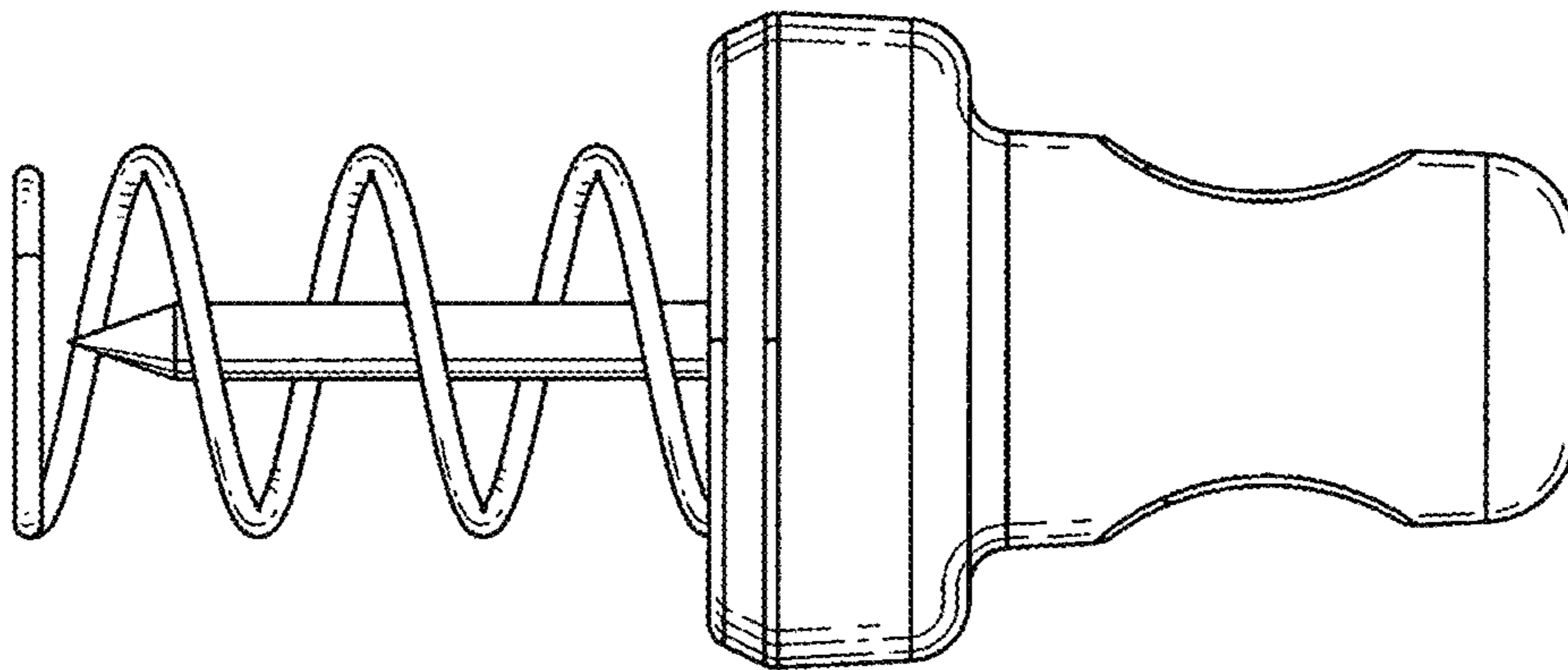


Fig.2

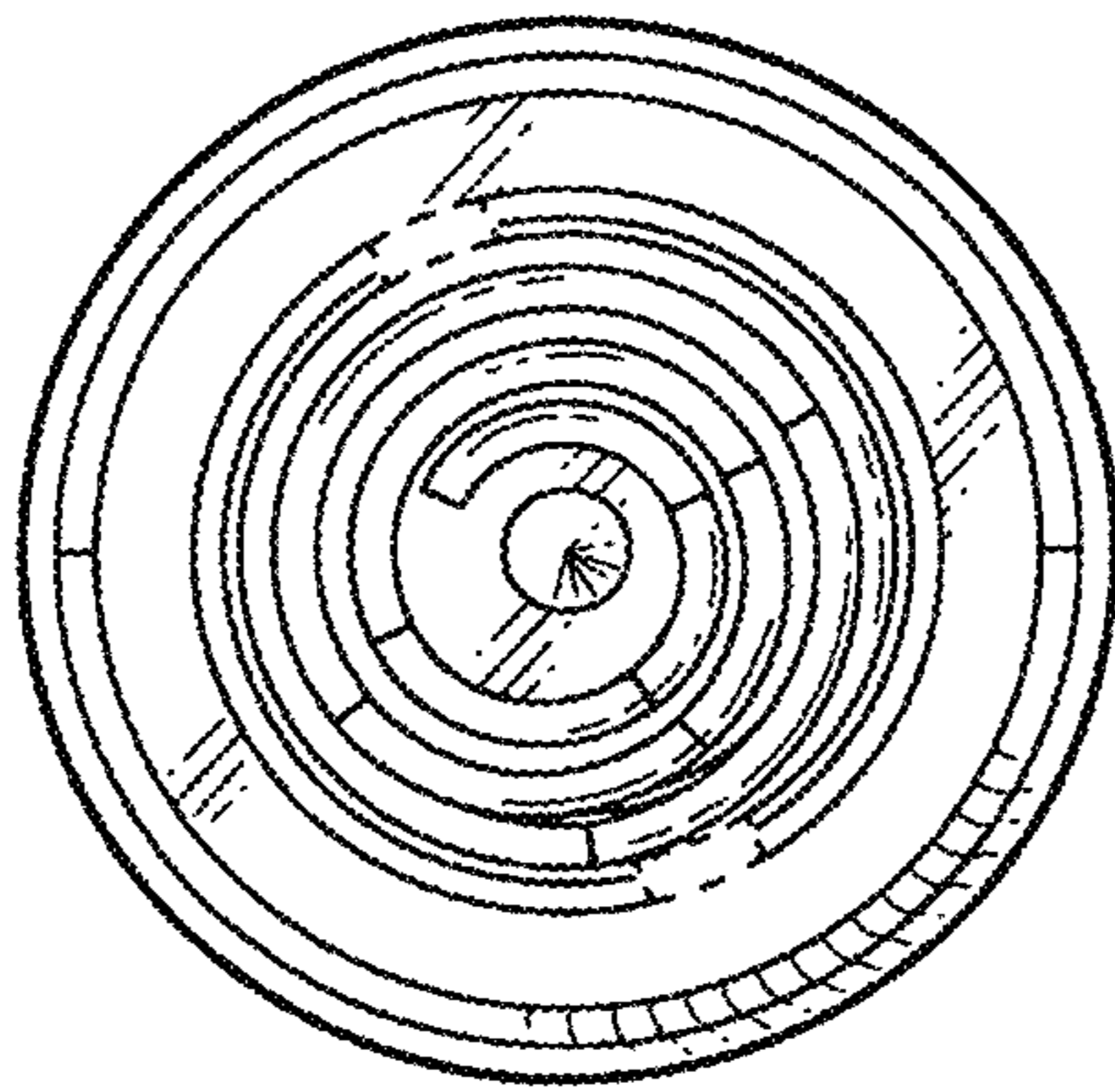


Fig.3

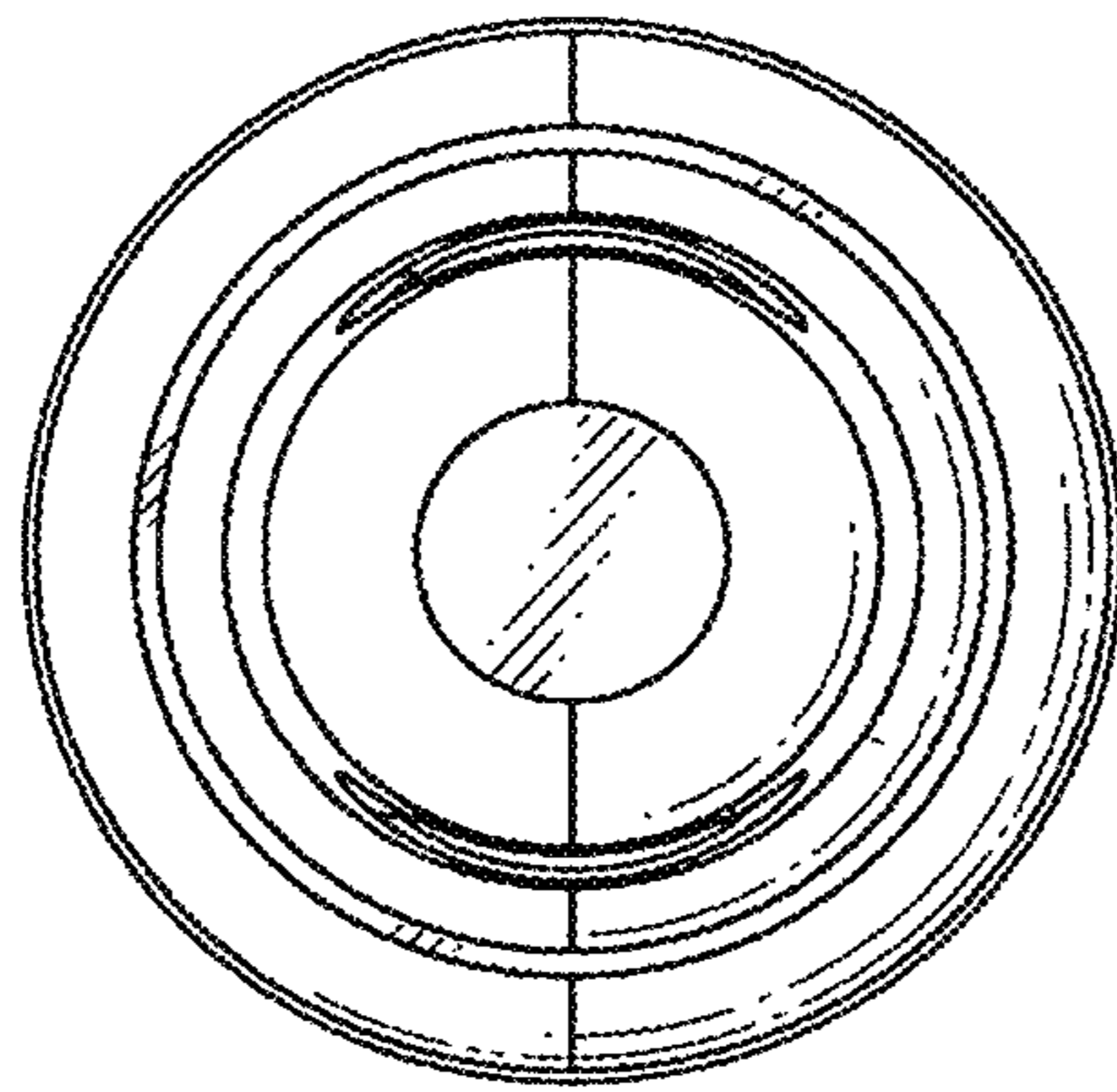


Fig.4

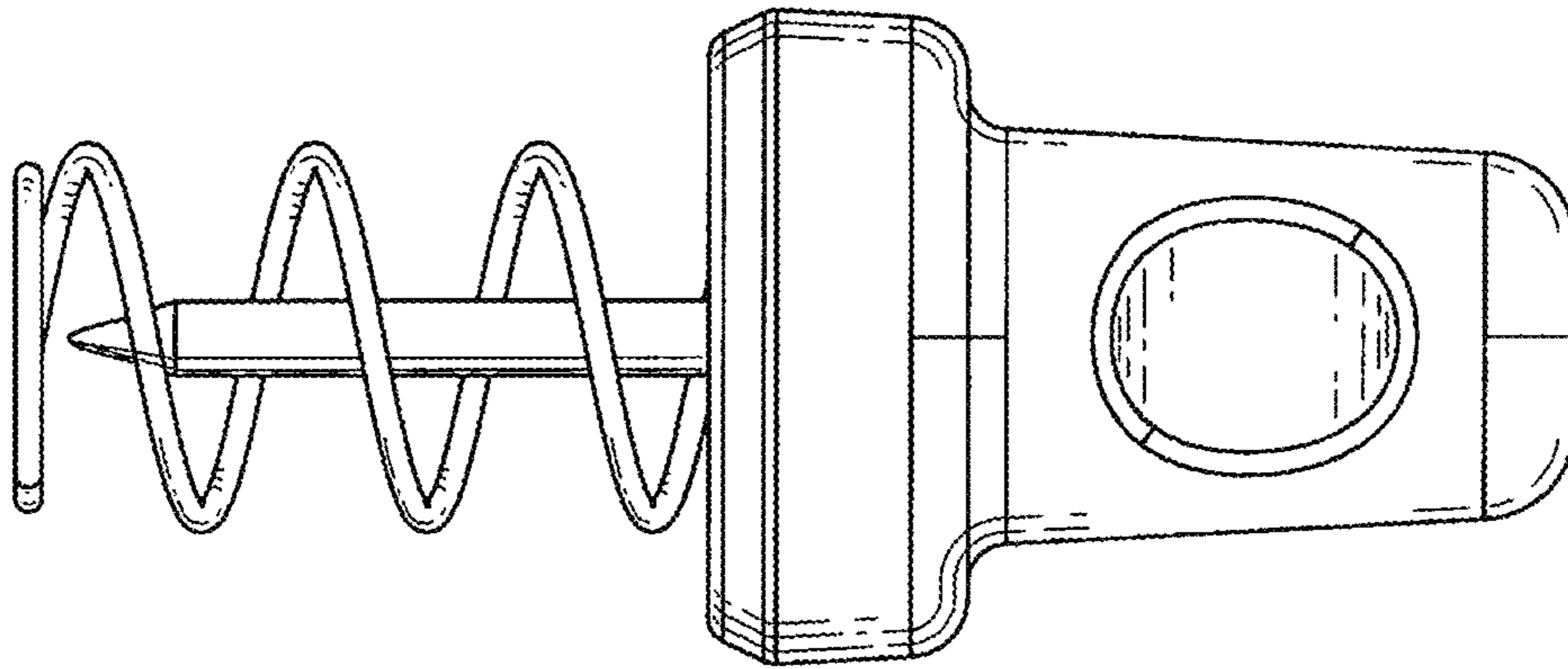


Fig.5



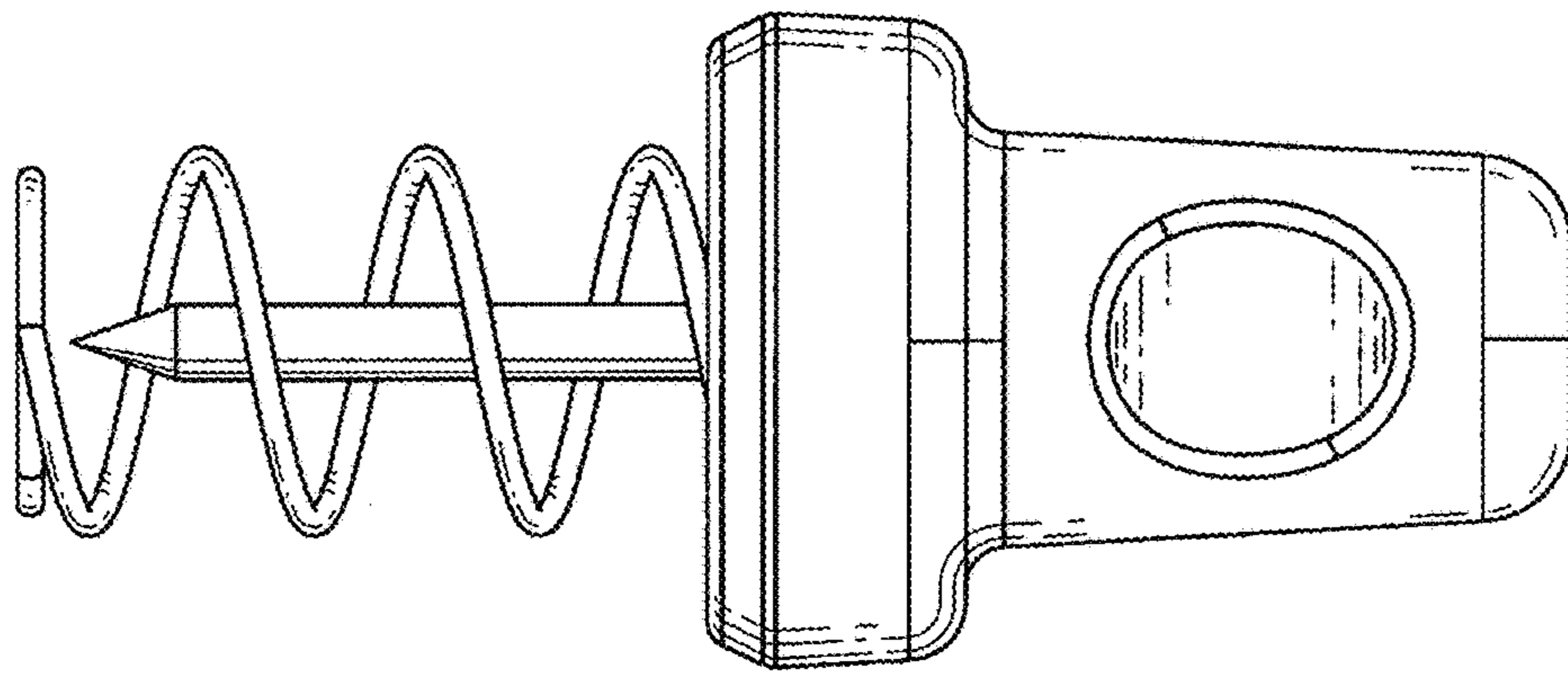


Fig.6

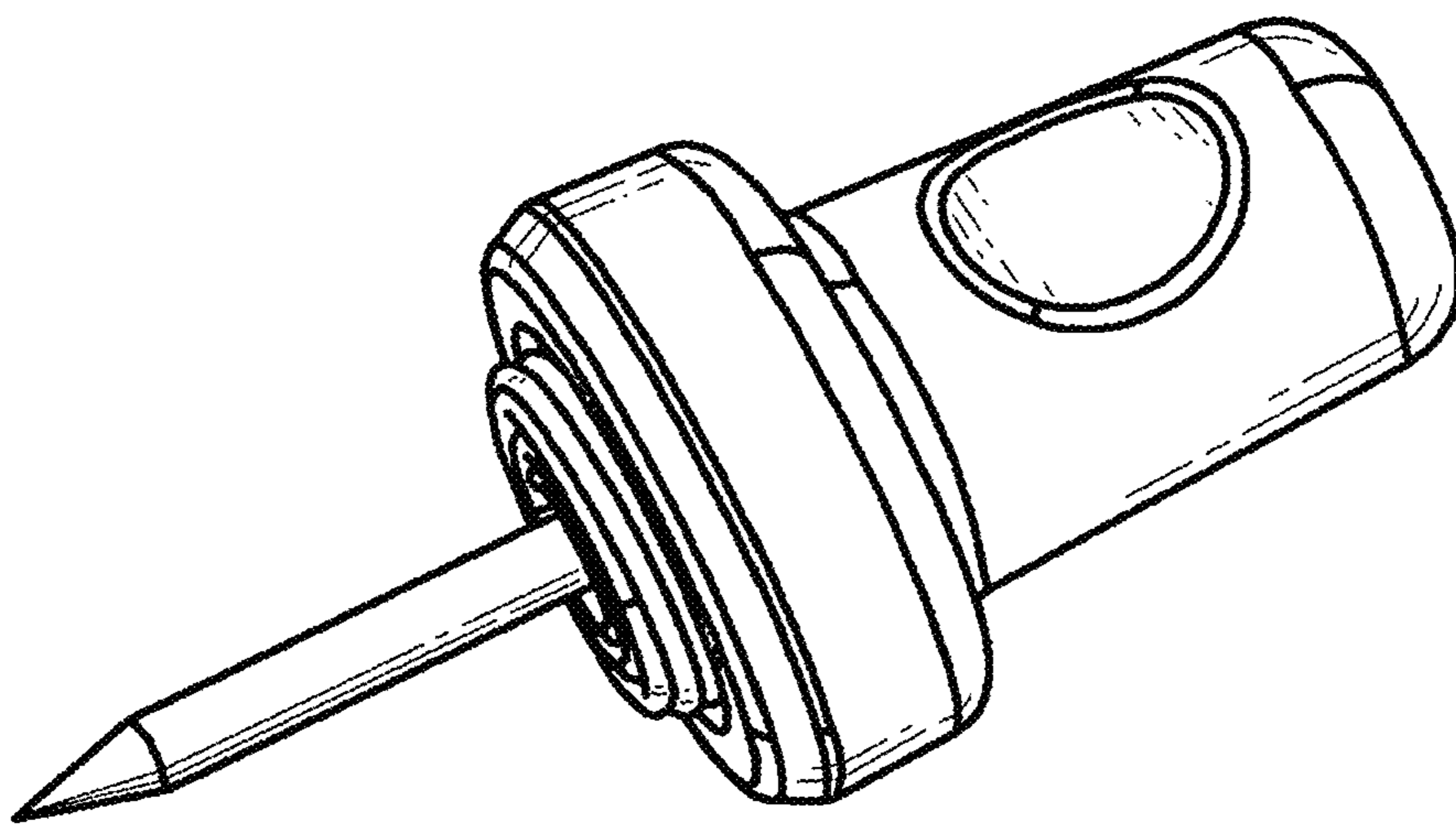


Fig.7