



US00D852882S

(12) **United States Design Patent**
Rose

(10) **Patent No.:** **US D852,882 S**
(45) **Date of Patent:** **** Jul. 2, 2019**

(54) **CARD**
(71) Applicant: **Robin S. Rose**, Cambridge, MA (US)
(72) Inventor: **Robin S. Rose**, Cambridge, MA (US)
(73) Assignee: **LovePop, Inc.**, Boston, MA (US)
(**) Term: **15 Years**
(21) Appl. No.: **29/672,442**

1,541,002 A 6/1925 Shramek
1,854,225 A 4/1932 Rosenthal
1,891,011 A 12/1932 Purdy
(Continued)

FOREIGN PATENT DOCUMENTS

GB 2244024 A 11/1991
GB 2467115 A 7/2010
(Continued)

OTHER PUBLICATIONS

Hallmark, last accessed on Jan. 9, 2019, <<https://www.hallmark.com/cards/greeting-cards/pizza-my-heart-birthday-card-799LAD1525.html>>.

(Continued)

Primary Examiner — Abraham Bahta
(74) *Attorney, Agent, or Firm* — Foley Hoag LLP; Rajesh Vallabh

(57)

CLAIM

The ornamental design for a card, as shown and described.

DESCRIPTION

FIG. 1 is a perspective view of a card showing my new design including a tab feature shown in a detail circle for a pull-out notecard or other item;
FIG. 2 is an enlarged view of the portion of the card depicted in the detail circle in FIG. 1;
FIG. 3 is a top view thereof;
FIG. 4 is a bottom view thereof;
FIG. 5 is a left side view thereof;
FIG. 6 is a right side view thereof;
FIG. 7 is an enlarged view of the portion of the card depicted in the detail circle in FIG. 6;
FIG. 8 is a rear view thereof; and,
FIG. 9 is a front view thereof.
The broken lines in the figures depict environmental subject matter only and form no part of the claimed design.

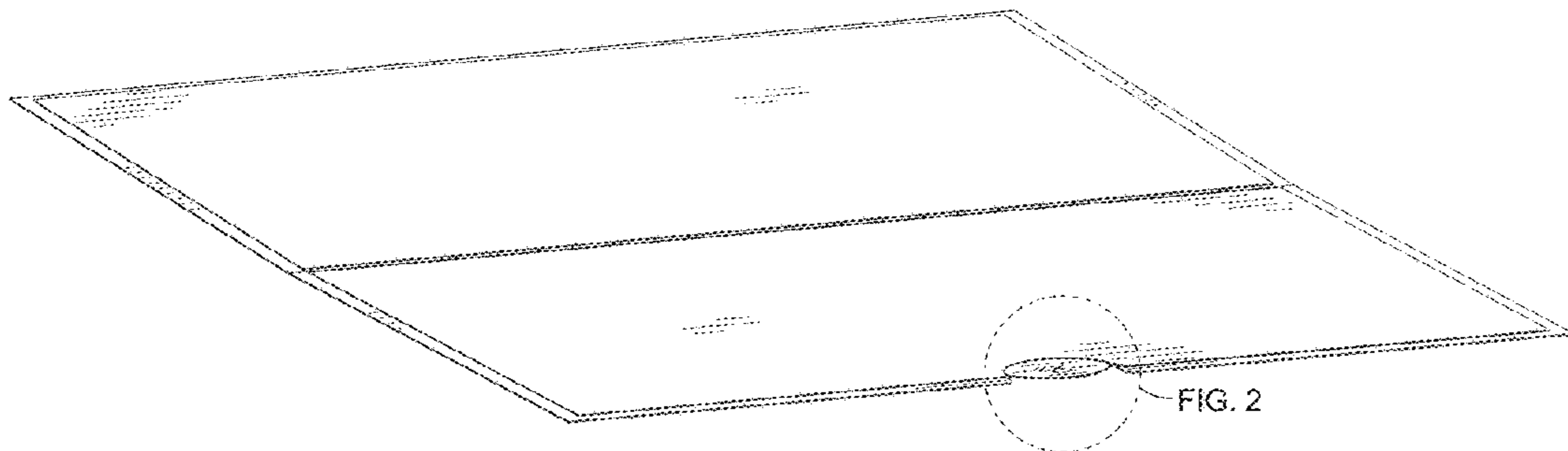
1 Claim, 5 Drawing Sheets

(22) Filed: **Dec. 5, 2018**
(51) **LOC (11) Cl.** **19-01**
(52) **U.S. Cl.**
USPC **D19/1**
(58) **Field of Classification Search**
USPC D19/1-12, 20-34; 206/232, 494;
40/124.01-124.15, 672, 776, 726;
229/92, 92.1, 300-302; 281/2-5, 16, 22,
281/51; 283/2-3, 115, 900, 74-75, 103,
283/105-106; D9/703, 707, 709, 713,
D9/424, 720, 414, 418, 416; 426/106;
383/127, 106-108, 901, 200, 203, 207,
383/210; D20/10, 22, 27, 40, 42, 11;
D3/303
CPC .. B42D 15/022; B42D 15/027; B42D 15/045;
B42D 15/042; B42D 25/00; B42D 25/20;
B42D 25/23; B42D 25/26; B42D 25/30;
B42D 25/285; B42D 2033/00; B42D
2033/02; B42D 2033/08; B42D 2033/10;
B42D 2033/16; B42D 2033/20; B42D
2033/22; B42D 2033/28; B42D 2033/30
See application file for complete search history.

(56) **References Cited**

U.S. PATENT DOCUMENTS

930,108 A 8/1909 Walcutt
1,052,187 A 2/1913 Strandens
1,194,678 A 8/1916 Strandens



(56)

References Cited

U.S. PATENT DOCUMENTS

1,913,797 A 6/1933 Dulin et al.
 2,103,748 A 12/1937 Horr
 2,511,211 A 6/1950 Klein et al.
 2,892,278 A 6/1959 Hoefflich
 2,974,434 A 3/1961 Gibson
 3,228,138 A 1/1966 Lohnes
 3,343,297 A 9/1967 Valentine
 3,430,761 A 3/1969 Pelkey
 4,024,656 A 5/1977 Farnsworth
 4,319,418 A 3/1982 Transport
 4,349,973 A 9/1982 Penick et al.
 D283,231 S 4/1986 Bradenburger
 4,826,211 A 5/1989 Sinnott et al.
 5,096,751 A 3/1992 Duchek
 5,261,172 A 11/1993 Rowley
 5,317,823 A 6/1994 Brunt, II
 5,387,108 A 2/1995 Crowell
 5,416,993 A 5/1995 Shields
 5,450,680 A 9/1995 Bromberg
 D368,276 S * 3/1996 Buzby D19/2
 5,613,612 A 3/1997 Davault
 5,658,620 A 8/1997 Ross
 5,732,491 A 3/1998 Burtch
 5,738,221 A 4/1998 Van Witt et al.
 5,746,689 A 5/1998 Murphy
 5,761,836 A 6/1998 Dawson
 5,884,770 A 3/1999 Galm
 5,933,989 A 8/1999 Volkert et al.
 5,937,553 A 8/1999 Maran
 5,943,800 A 8/1999 Rose
 5,947,281 A 9/1999 Kaneff
 5,954,194 A 9/1999 Simpson
 5,971,157 A 10/1999 Howell et al.
 6,059,101 A 5/2000 Gambardella et al.
 6,106,023 A 8/2000 Sud et al.
 D432,570 S * 10/2000 Donaldson D19/1
 6,267,233 B1 7/2001 Stern et al.
 6,279,739 B1 8/2001 Moore et al.
 6,311,142 B1 10/2001 Glassner
 6,311,418 B1 11/2001 Crowell
 6,453,800 B1 9/2002 Chen
 6,505,737 B1 1/2003 Sherman
 6,640,473 B1 11/2003 Shenk
 6,643,962 B1 11/2003 Panec et al.
 6,877,263 B2 4/2005 Clark
 6,966,135 B1 11/2005 McDonald
 D514,120 S * 1/2006 Chan D14/203.7
 D545,359 S 6/2007 Bramhall
 7,490,425 B2 2/2009 Crowell et al.
 D662,543 S 6/2012 Dennis et al.
 8,228,327 B2 7/2012 Hendrickson et al.
 D742,452 S * 11/2015 Paley D19/1
 D765,777 S 9/2016 Mayer
 9,475,333 B2 10/2016 Yeh

9,524,658 B1 12/2016 Wise et al.
 9,601,033 B2 3/2017 Wise et al.
 D783,717 S 4/2017 Mayer et al.
 D802,661 S 11/2017 Salatandre
 9,836,997 B1 12/2017 Brandrup
 D831,108 S 10/2018 Dennis
 2003/0097773 A1 5/2003 Oh
 2003/0230515 A1 12/2003 Mouyal
 2007/0017133 A1 1/2007 Crowell et al.
 2007/0293118 A1 12/2007 Prescott
 2008/0295374 A1 12/2008 Bergland et al.
 2012/0297650 A1 11/2012 Burley
 2013/0139420 A1 6/2013 Rubar
 2013/0232828 A1 9/2013 Qiao et al.
 2013/0302540 A1 11/2013 Vinecombe
 2014/0209496 A1 7/2014 Flynn et al.
 2015/0332611 A1 11/2015 Yeh
 2016/0358515 A1 12/2016 Christiansen
 2016/0365009 A1 12/2016 Wise et al.
 2017/0273253 A1 9/2017 Yeh
 2018/0102070 A1 4/2018 Yeh
 2018/0102071 A1 4/2018 Yeh

FOREIGN PATENT DOCUMENTS

JP 2000141954 A 5/2000
 WO WO-2007149110 A1 12/2007

OTHER PUBLICATIONS

Colorpop Cards Cardinal Bird Pop Up Card, Date First Available Nov. 13, 2018, <https://www.amazon.com/Colorpop-Cardinal-greeting-handmade-Animals/dp/B07KFTVQX8/ref=sr_1_cc_2?s=aps&ie=UTF8&qid=1544028298&sr=1-2-catcorr&keywords=color+pop+3d+pop+up+cards>.
 Creative Park, <http://cp.c-ij.com/en/contents/CNT-0005840/index.html>, accessed Jun. 6, 2016.
 Creative Popup Cards, <http://www.creativepopupcards.com/>, accessed Jun. 6, 2016.
 Paper Popup Cards, <http://paperpopcards.com/>, accessed Jun. 6, 2016.
 Up With Paper, <http://www.upwithpaper.com/>, accessed Jun. 6, 2016.
 Leah Fedynak, [Ifedynak], Jun. 29, 2013 Awe-Inspiring Cards Retrieved from <https://birdwingpaperdesigns.com/2013/06/29/awe-inspiring-cards/> (Year: 2013).
 Masahiro Chatani and Keiko Nakazawa, 1994, Pop-Up Geometric Origami. Retrieved from <https://www.scribd.com/doc/102043532/Pop-Up-Geometric-Origami> (Year: 1994).
 "Six Amazing Pop-Up Paper Sculptures," You Tube video, posted by Peter Dahmen Papierdesign, Jan. 2, 2010 <https://www.youtube.com/watch?v=YuQsxFhBGzw> (Year: 2010).

* cited by examiner

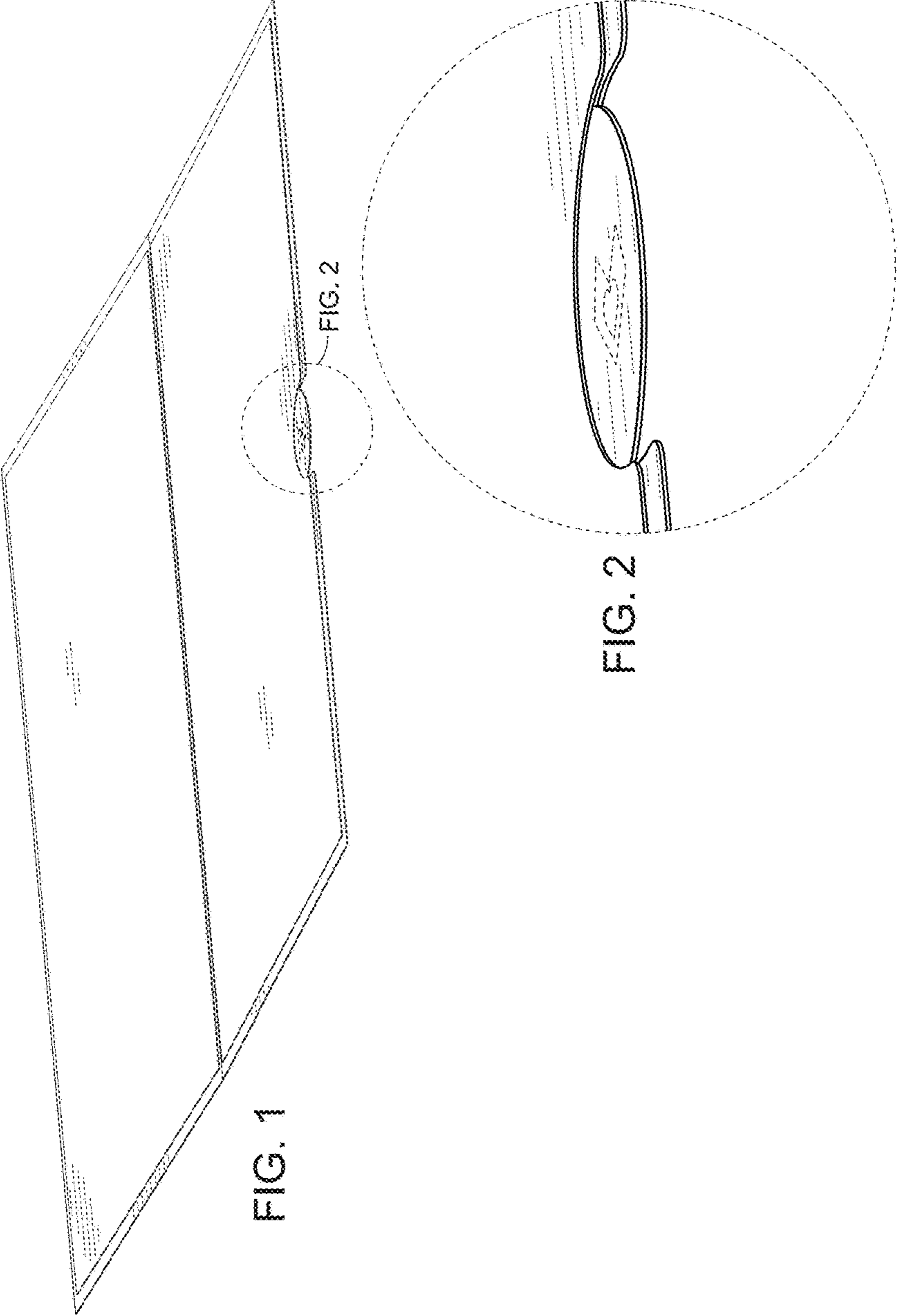


FIG. 3

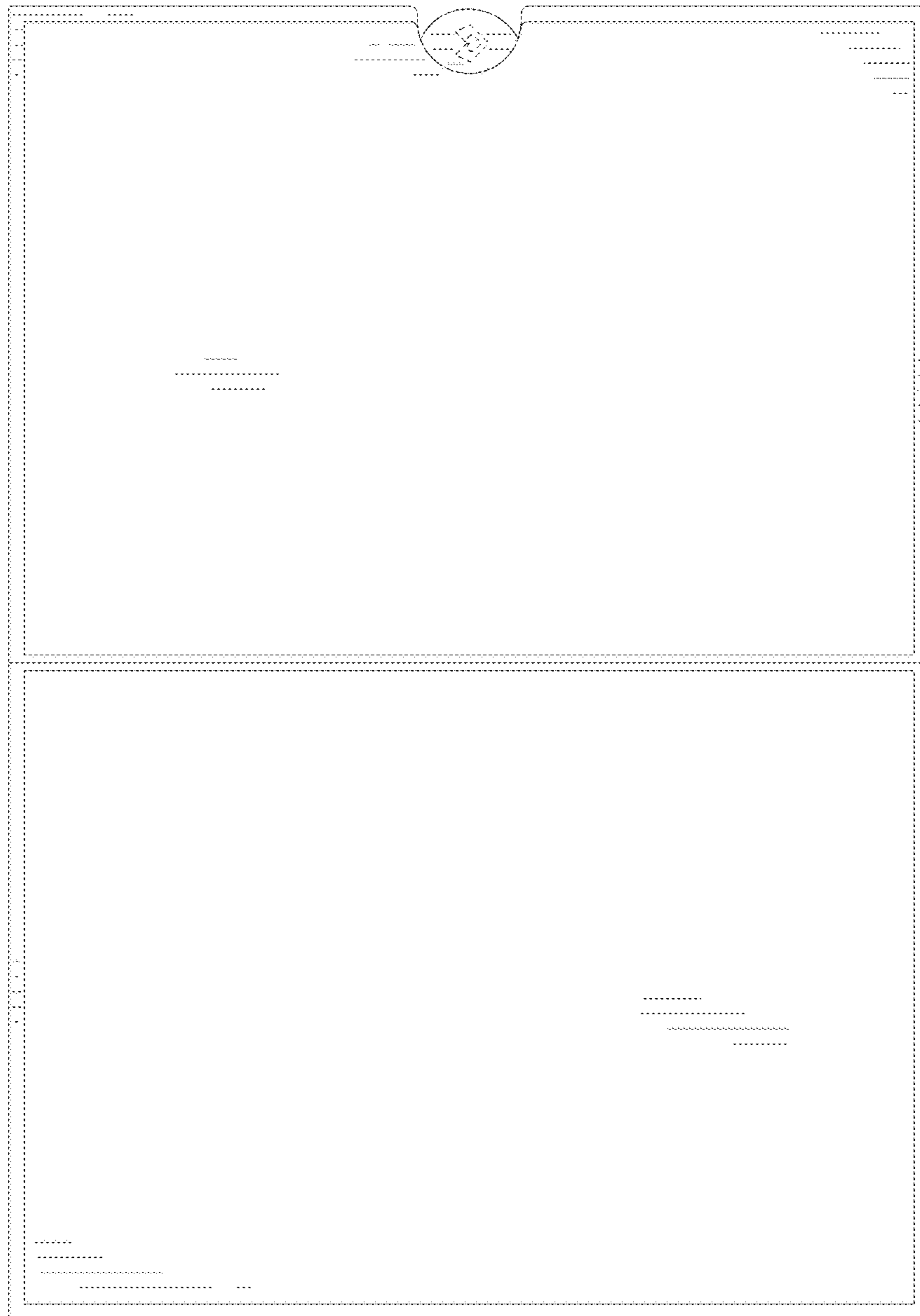


FIG. 4



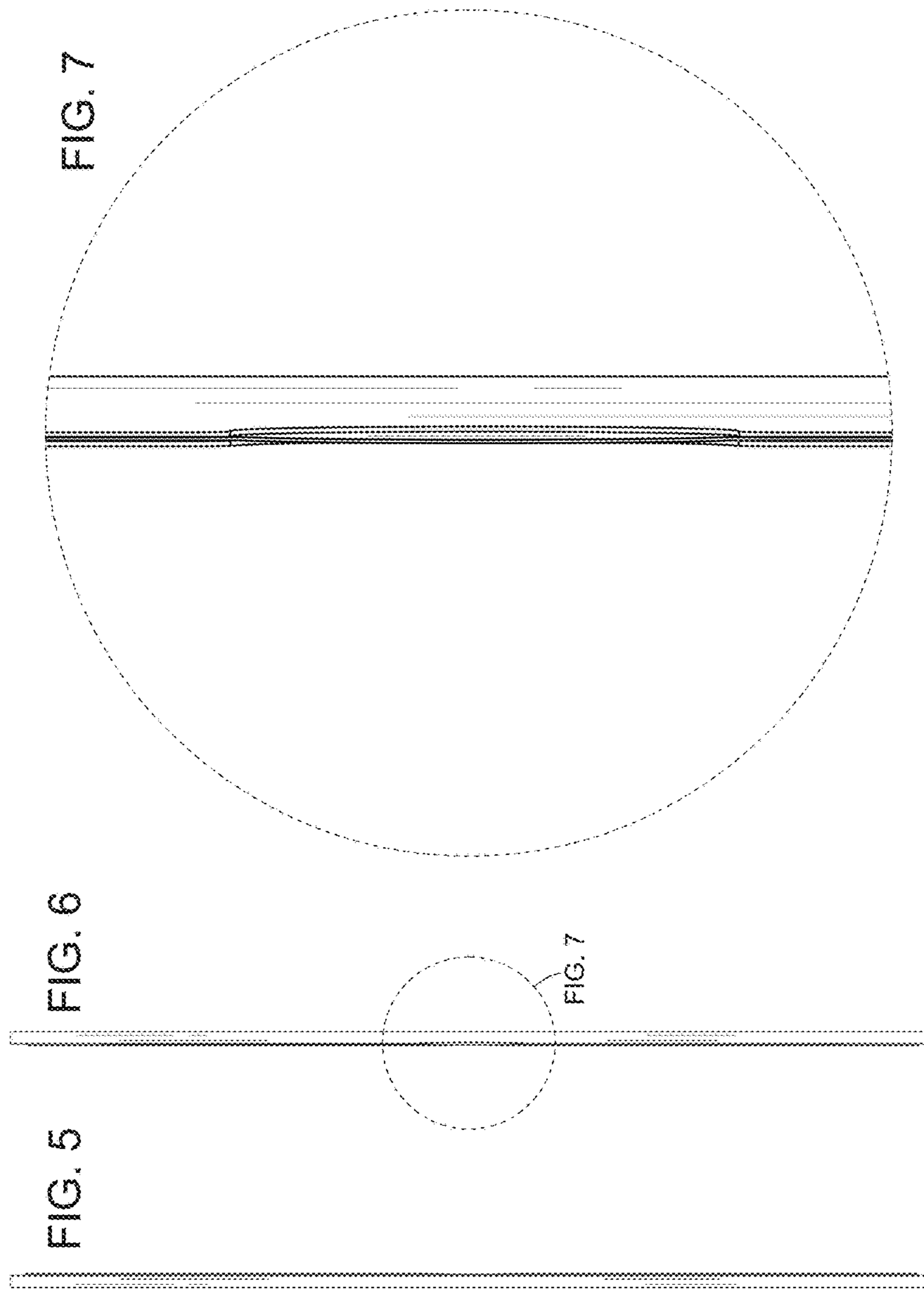


FIG. 8



FIG. 9

