



US00D852880S

(12) **United States Design Patent** (10) **Patent No.:** **US D852,880 S**
Anderson, Jr. et al. (45) **Date of Patent:** **** Jul. 2, 2019**

(54) **TONER CARTRIDGE**

FOREIGN PATENT DOCUMENTS

(71) Applicant: **LEXMARK INTERNATIONAL, INC.**, Lexington, KY (US)

JP D1410418 * 3/2011

(72) Inventors: **James Daniel Anderson, Jr.**, Harrodsburg, KY (US); **Jason Paul Hale**, Pembroke Pines, FL (US); **Kyle Bradley Martin**, Lexington, KY (US); **Jeremy Keith Payne**, Georgetown, KY (US); **Edward Lynn Triplett**, Lexington, KY (US)

OTHER PUBLICATIONS

Amazon. <URL: https://www.amazon.com/LINKYO-Replacement-Toner-Cartridges-2-Pack/dp/B06Y42ZZPG/ref=pd_day0_229_4?_encoding=UTF8&pd_rd_i=B06Y42ZZPG&pd_rd_r=0VFE28T5AST33K86VWBS&pd_rd_w=lsLkS&pd_rd_wg=pOzbE&psc=1&refRID=0VFE28T5AST33K86VWBS> Apr. 7, 2017. Linkyo Replacement Toner Cartridges.*

(Continued)

(73) Assignee: **Lexmark International, Inc.**, Lexington, KY (US)

Primary Examiner — Susan Bennett Hattan
Assistant Examiner — Lauren D McVey

(**) Term: **15 Years**

(21) Appl. No.: **29/609,435**

(57) **CLAIM**

The ornamental design for a toner cartridge, as shown and described.

(22) Filed: **Jun. 30, 2017**

(51) **LOC (11) Cl.** **16-03**

(52) **U.S. Cl.**
USPC **D18/43**

DESCRIPTION

(58) **Field of Classification Search**
USPC D18/40–45, 56
CPC G03G 15/0894; G03G 15/0896; G03G 15/0898; G03G 21/1661; G03G 21/1666; G03G 21/1671; G03G 21/1676; G03G 21/168; G03G 21/1685; G03G 21/169; G03G 21/1695; G03G 21/18; G03G 21/1803; G03G 21/1807; G03G 15/0868; G03G 15/087; G03G 15/0872; G03G 15/0874; G03G 15/0875; G03G 15/0877
See application file for complete search history.

FIG. 1 is a front, right side, top perspective view of a toner cartridge, showing our new design;
FIG. 2 is a rear, left side, top perspective view thereof;
FIG. 3 is a front, left side, bottom perspective view thereof;
FIG. 4 is a rear, right side, bottom perspective view thereof;
FIG. 5 is a front elevation view thereof;
FIG. 6 is a left side elevation view thereof;
FIG. 7 is a rear elevation view thereof;
FIG. 8 is a right side elevation view thereof;
FIG. 9 is a top plan view thereof; and,
FIG. 10 is a bottom plan view thereof.

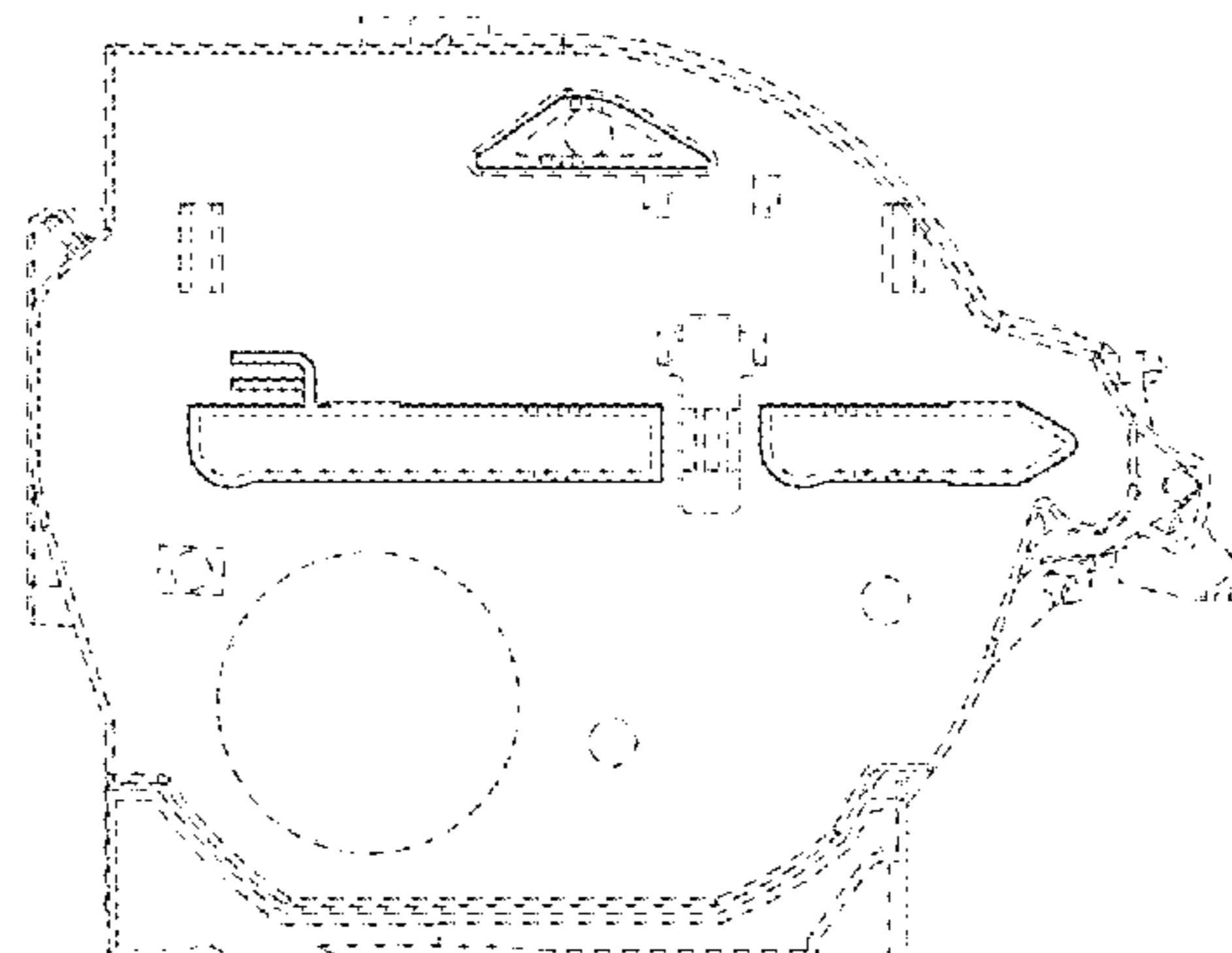
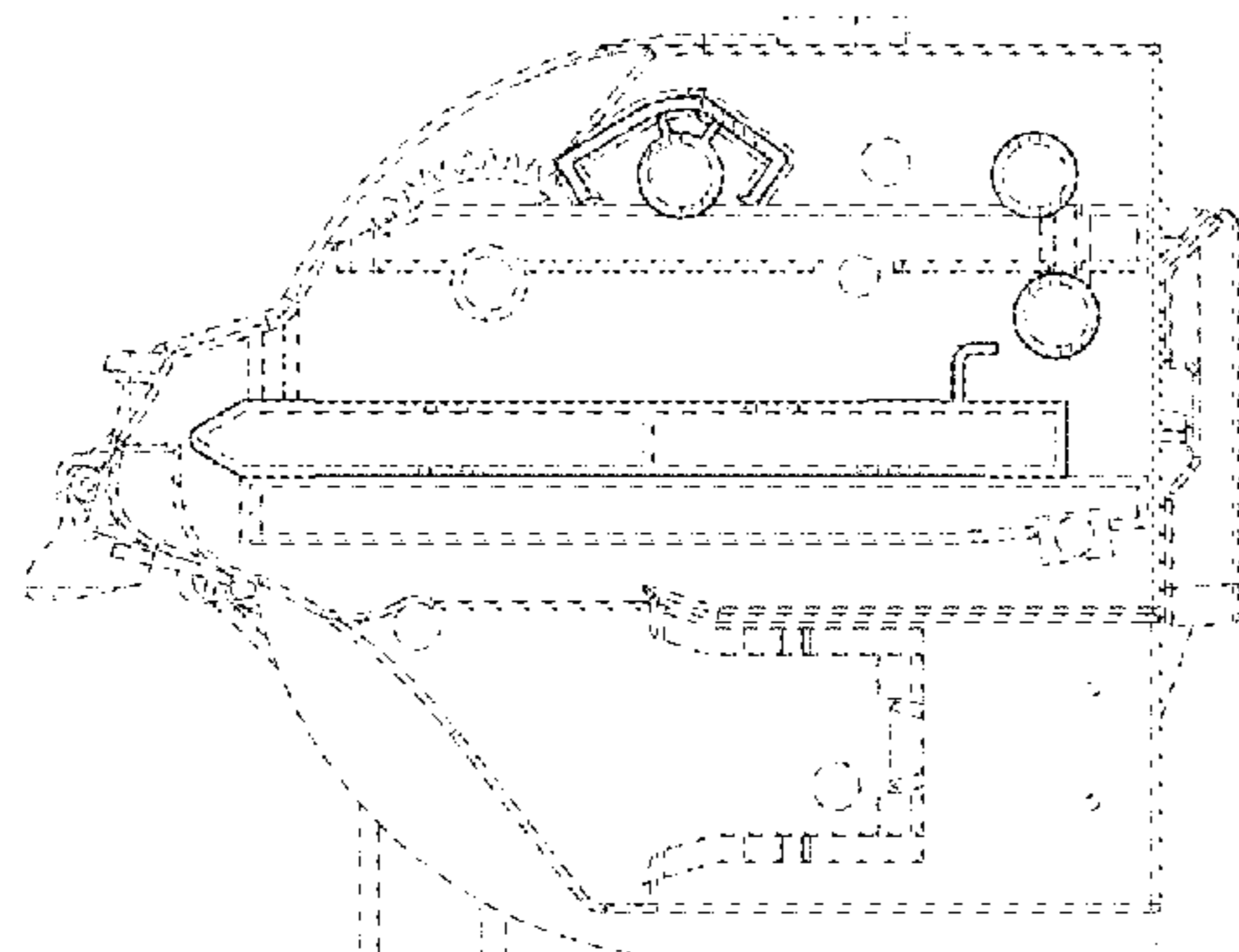
(56) **References Cited**

U.S. PATENT DOCUMENTS

D313,615 S * 1/1991 Tokuda D18/36
D431,260 S * 9/2000 Kohno D18/43
6,246,848 B1 * 6/2001 Morinaga G03G 21/1832
399/106

The broken lines immediately adjacent to the shaded areas represent the bounds of the claimed design while all other broken lines are directed to environment and are for illustrative purposes only; the broken lines form no part of the claimed design. In addition, the unshaded surfaces that directly adjoin the claimed solid lines form no part of the claimed design.

1 Claim, 9 Drawing Sheets



(56)

References Cited

U.S. PATENT DOCUMENTS

D523,066	S *	6/2006	Kimura	D18/43
D693,400	S	11/2013	Boettcher et al.	
D695,338	S	12/2013	Boettcher et al.	
D695,820	S	12/2013	Carter, II et al.	
D695,821	S	12/2013	Carter, II et al.	
D712,459	S *	9/2014	Koshimori	D18/43
D712,460	S *	9/2014	Koshimori	D18/43
D712,462	S *	9/2014	Koshimori	D18/43
9,280,084	B1 *	3/2016	Carpenter	G03G 15/0832
9,291,989	B1	3/2016	Carpenter	
9,335,656	B2 *	5/2016	Carpenter	G03G 15/086
9,360,797	B1	6/2016	Bayubay et al.	
9,360,834	B1	6/2016	Payne et al.	
9,389,582	B2 *	7/2016	Carpenter	G03G 15/086
9,519,243	B2 *	12/2016	Carpenter	G03G 15/086
9,519,449	B2 *	12/2016	Thacker	G03G 15/0863
2014/0003836	A1 *	1/2014	Burchette	G03G 21/1889 399/109

OTHER PUBLICATIONS

Design U.S. Appl. No. 29/609,432, filed Jun. 30, 2017 (Anderson et al.).

Design U.S. Appl. No. 29/609,439, filed Jun. 30, 2017 (Anderson et al.).

Rejection dated Jun. 19, 2018 for Brazilian Registered Design Application No. BR3020170055168.

Machine translation of rejection dated Jun. 19, 2018 for Brazilian Registered Design Application No. BR3020170055168.

* cited by examiner

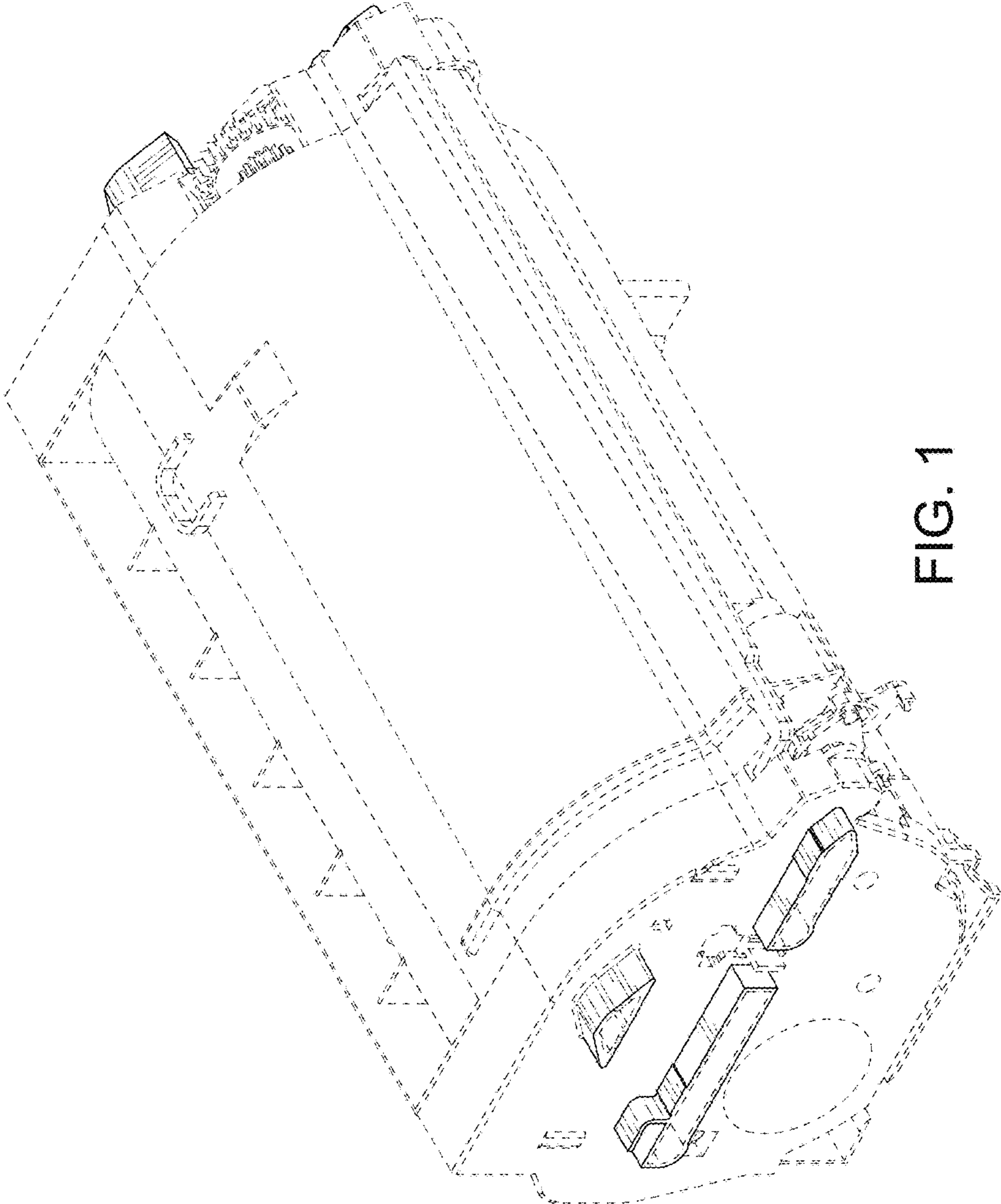


FIG. 1

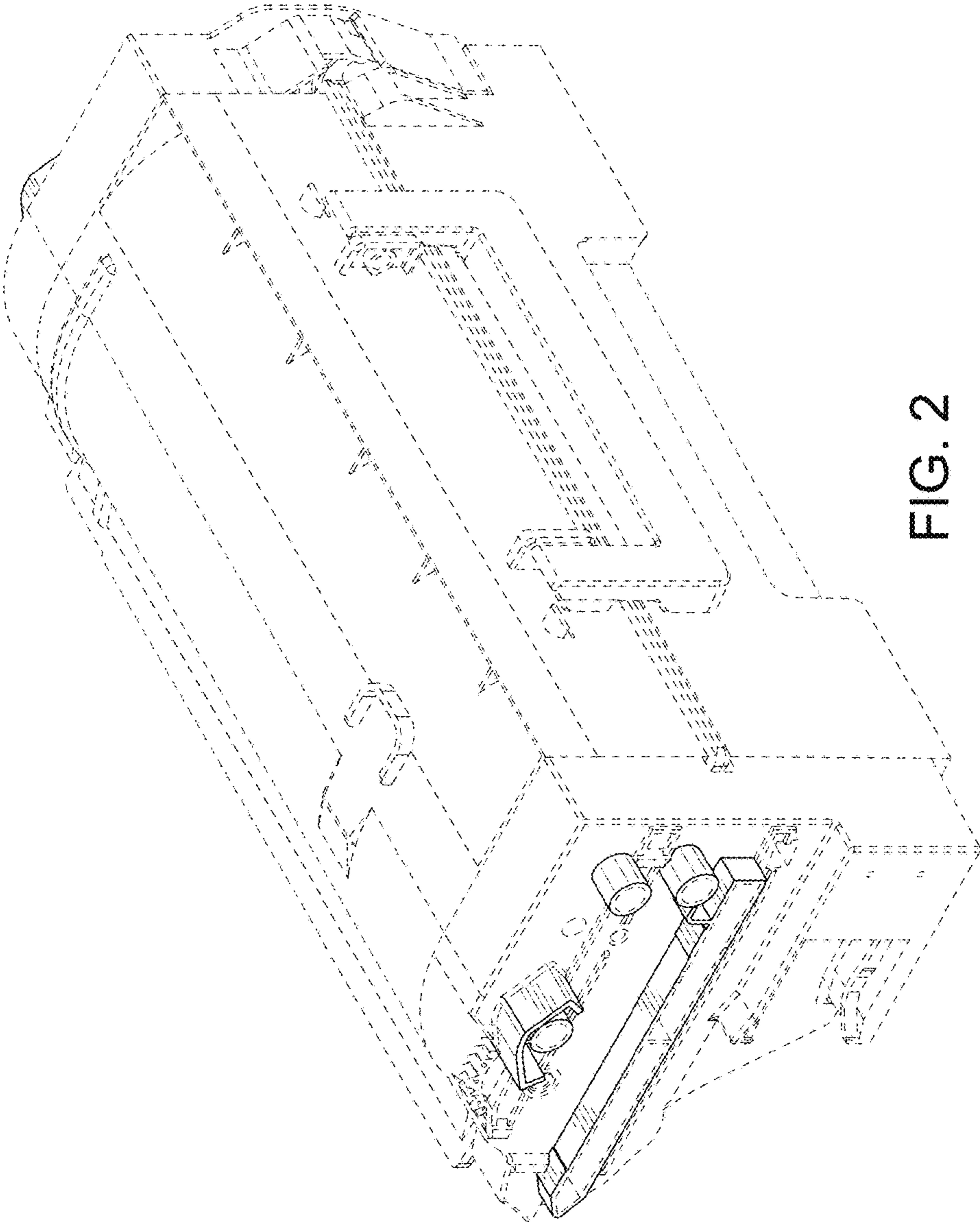


FIG. 2

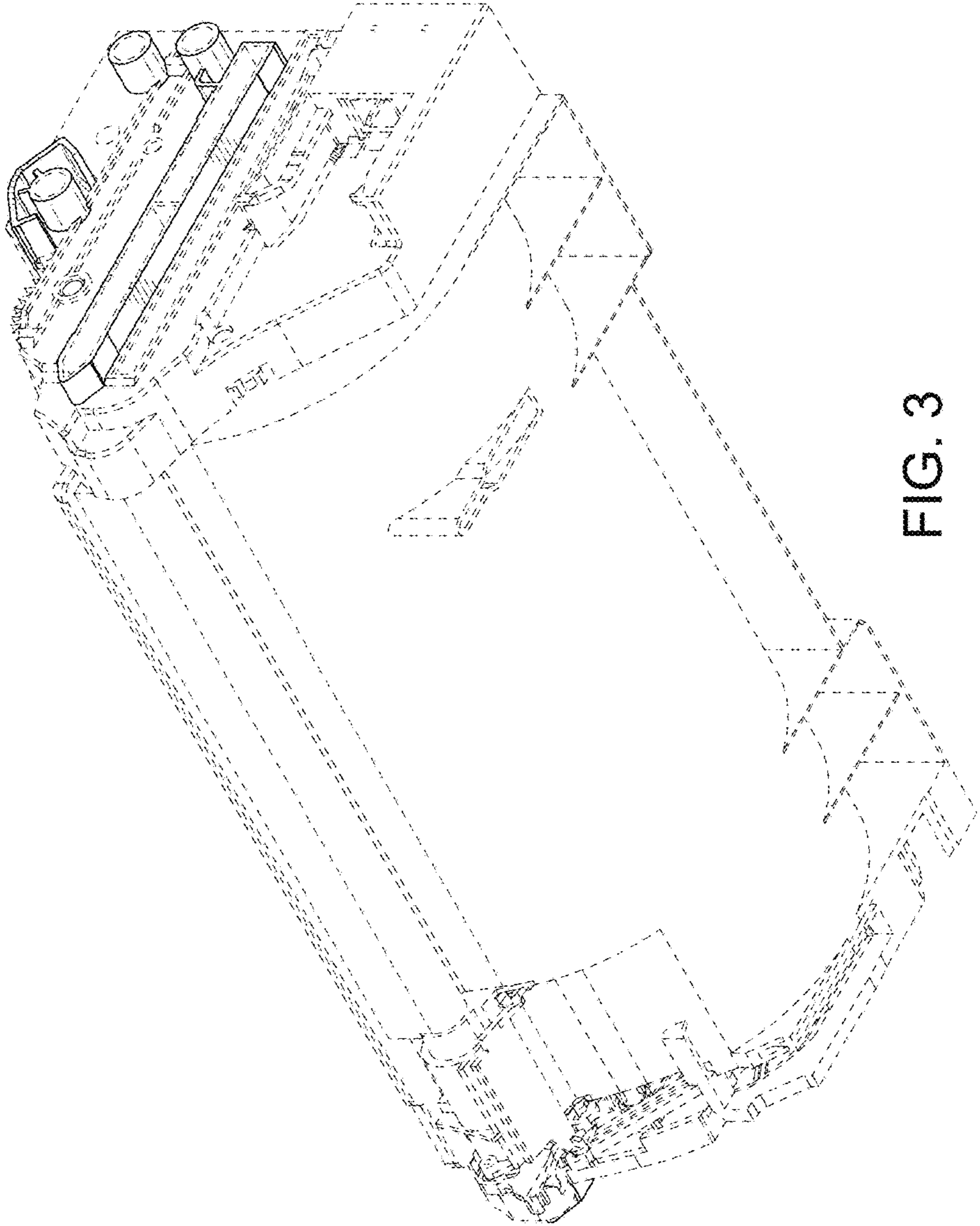


FIG. 3

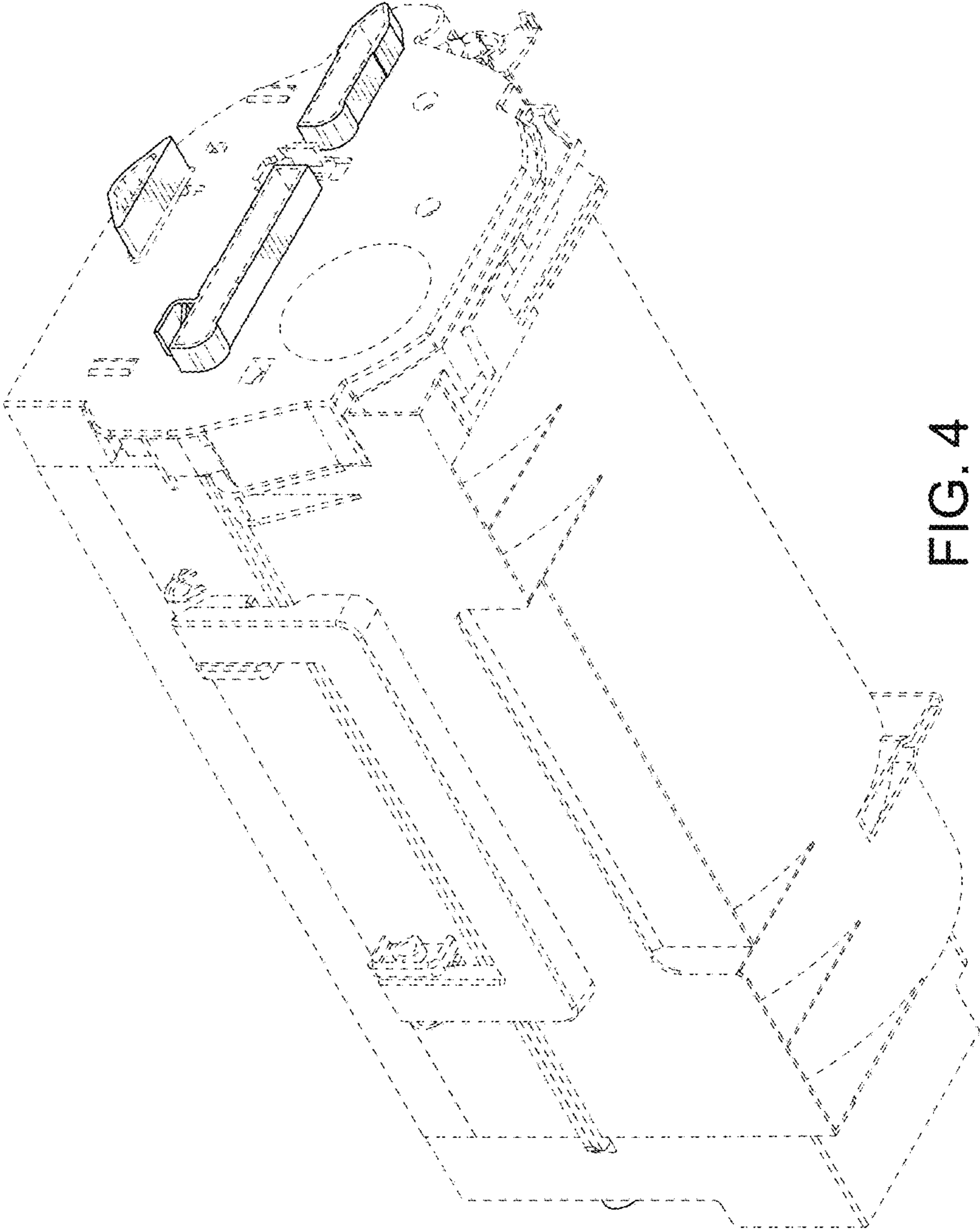


FIG. 4

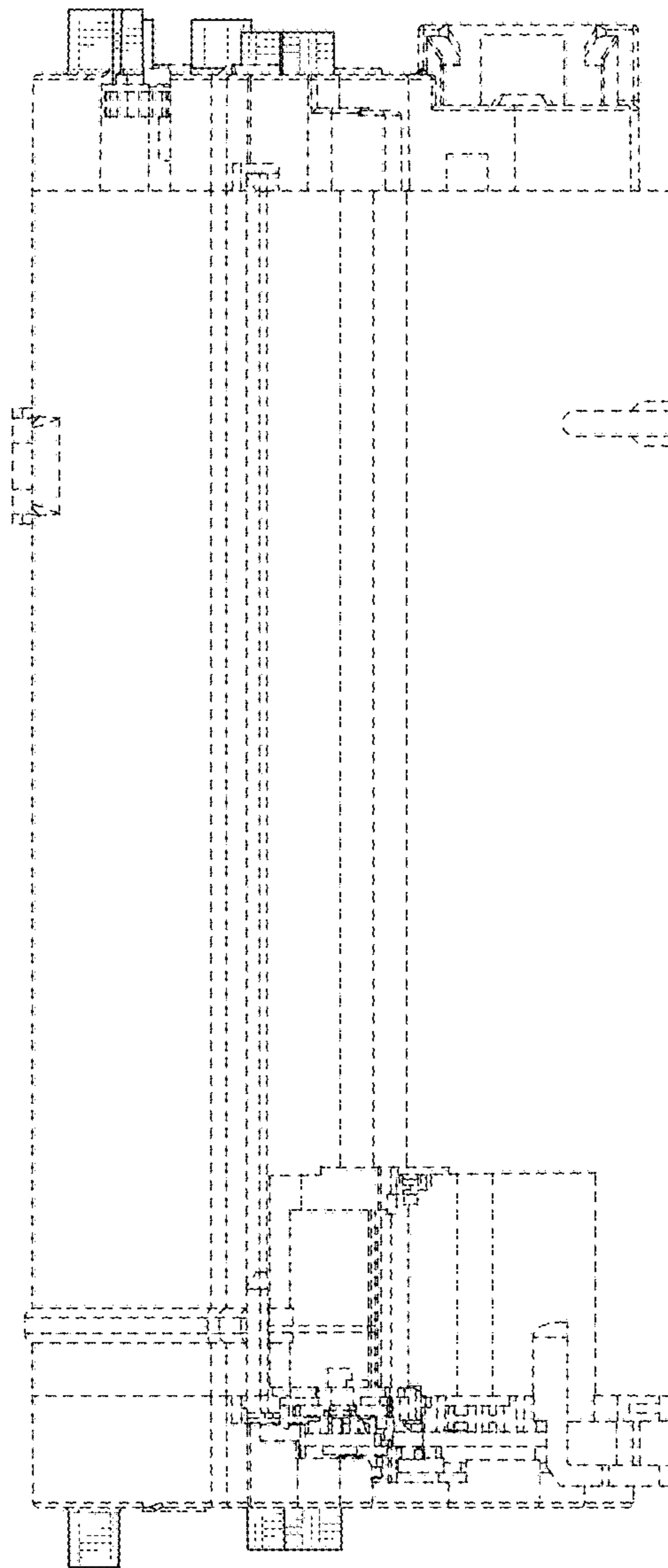


FIG. 5

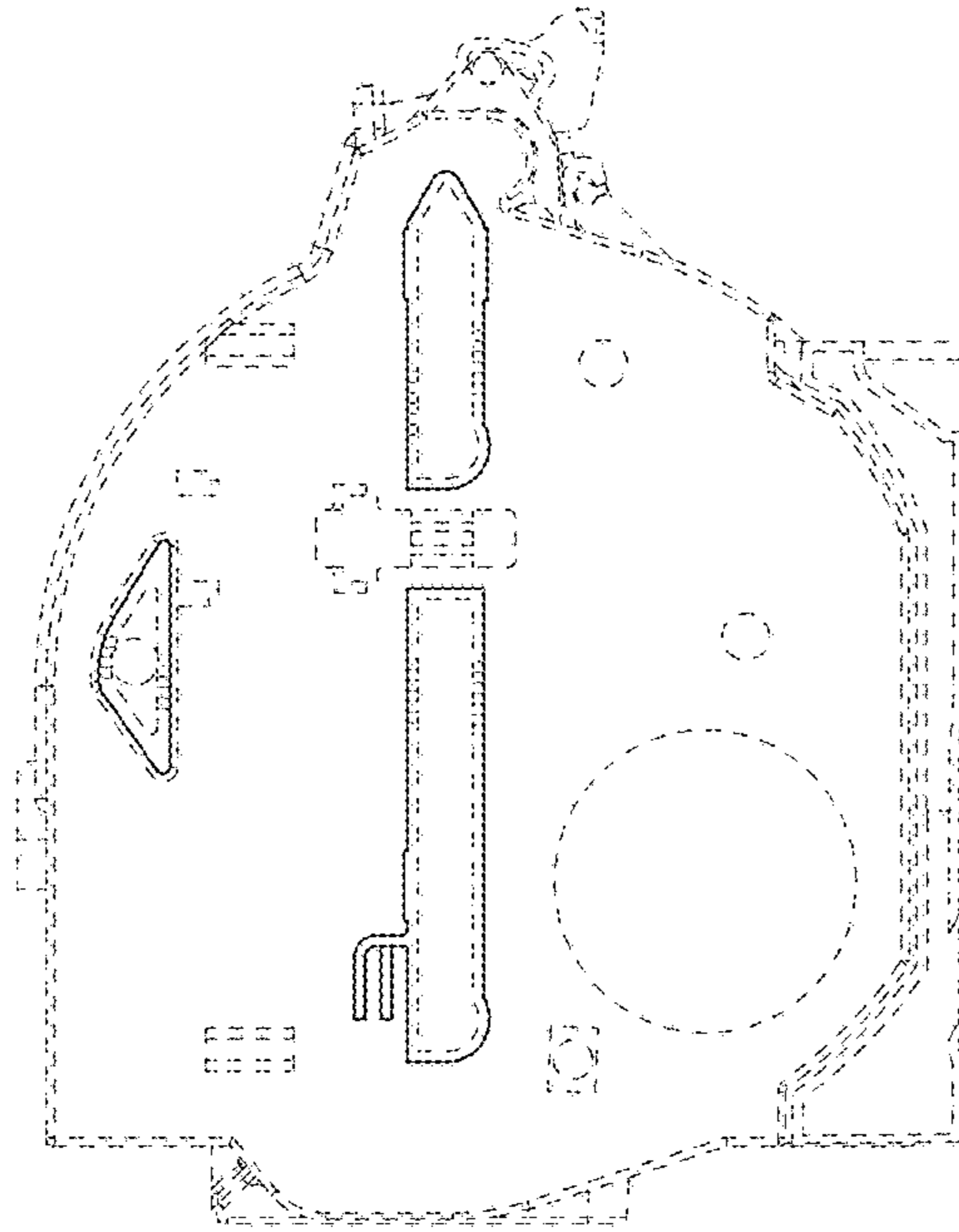


FIG. 6

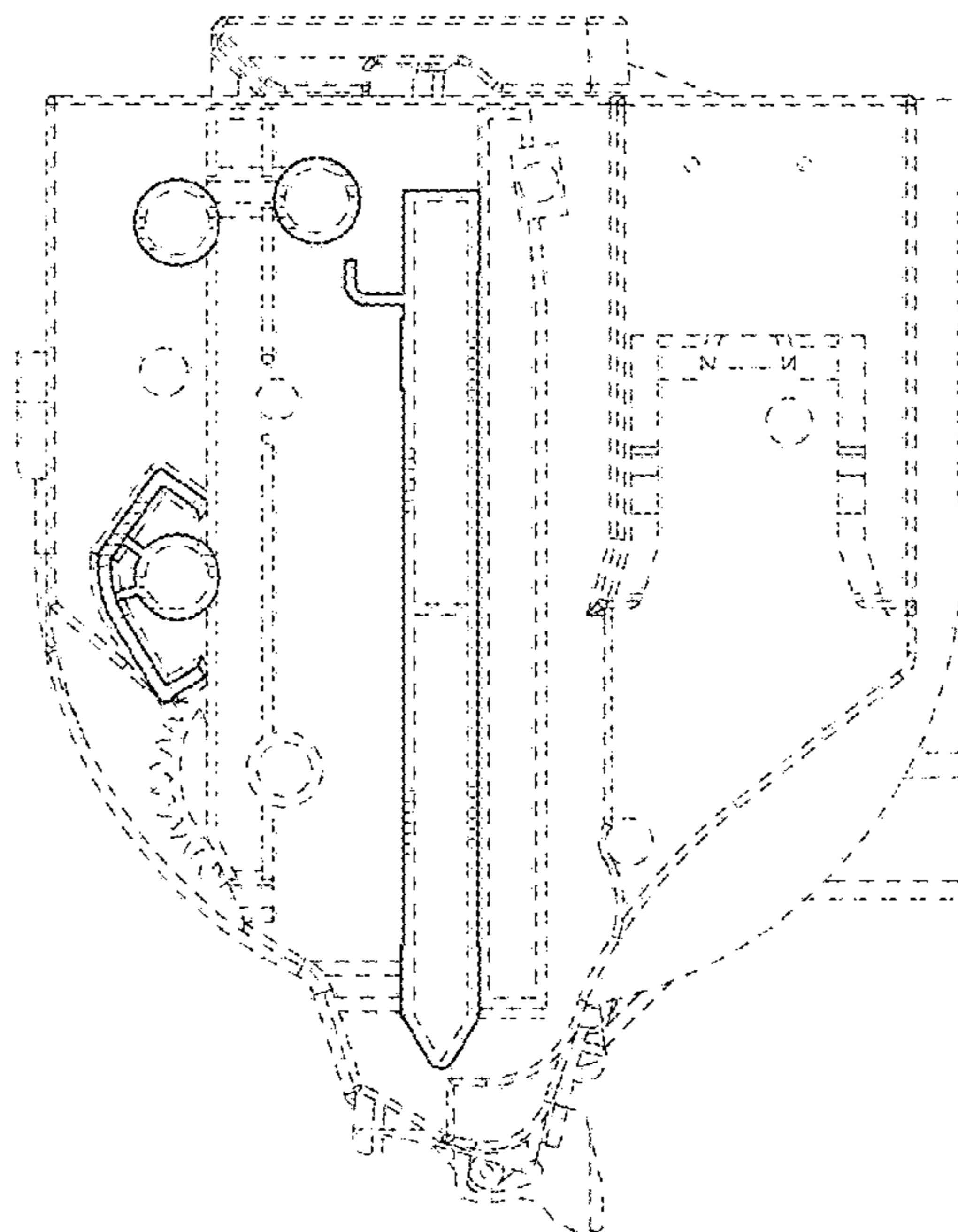


FIG. 8

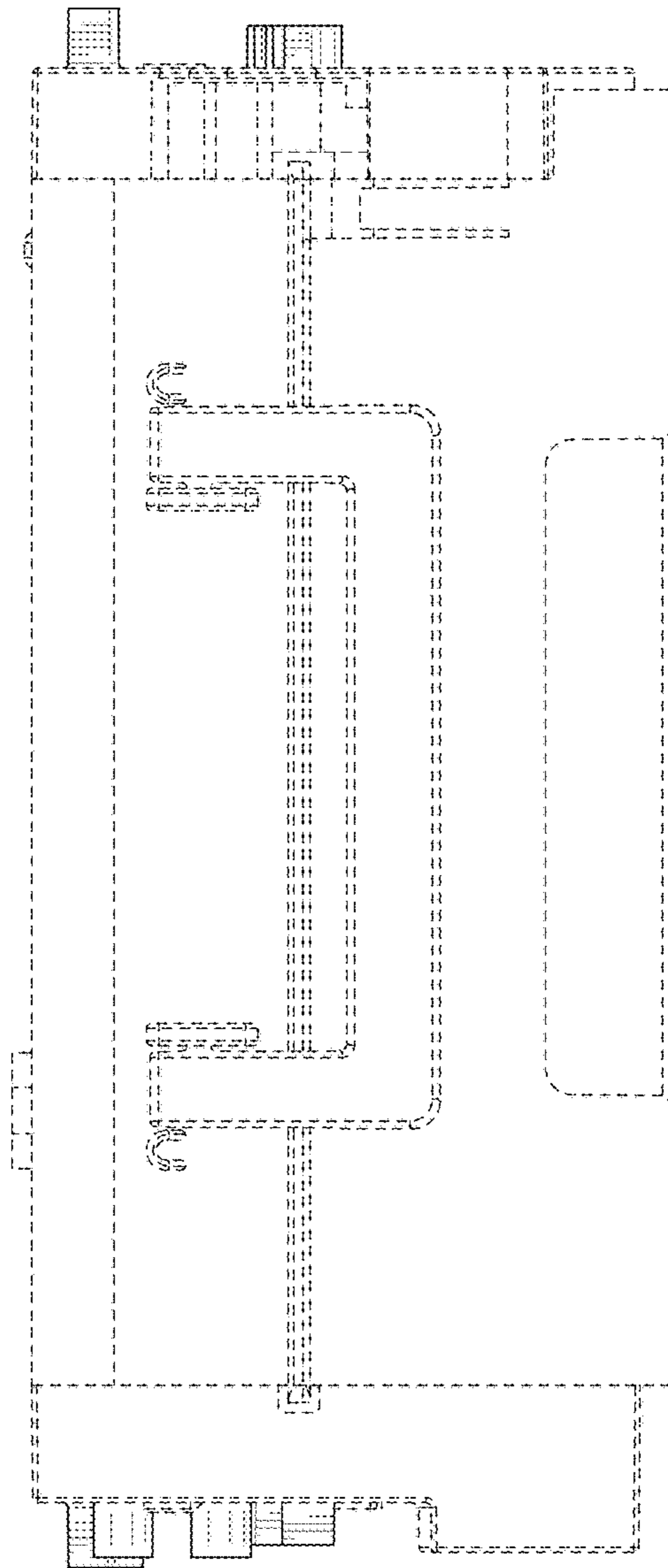


FIG. 7

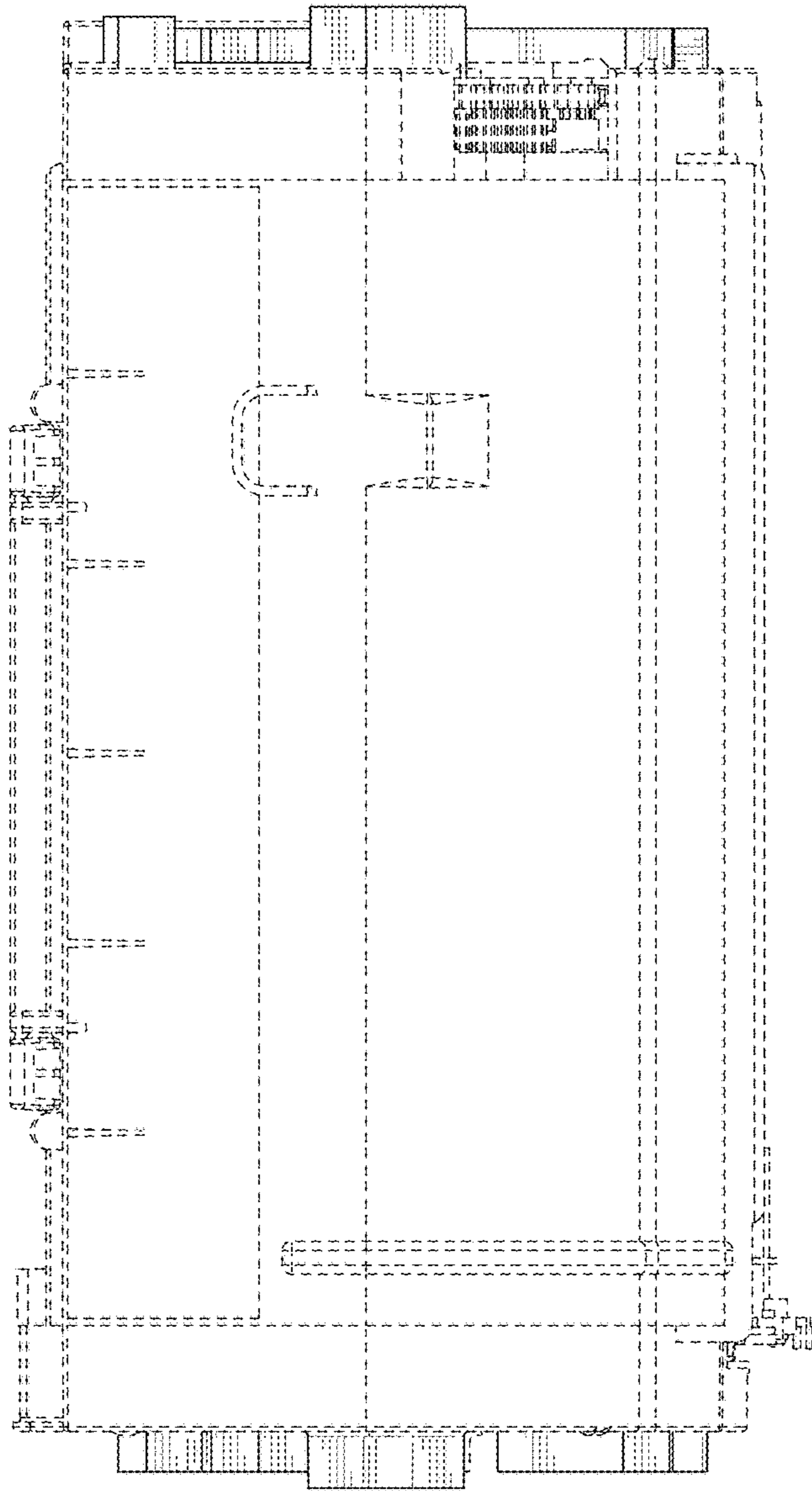


FIG. 9

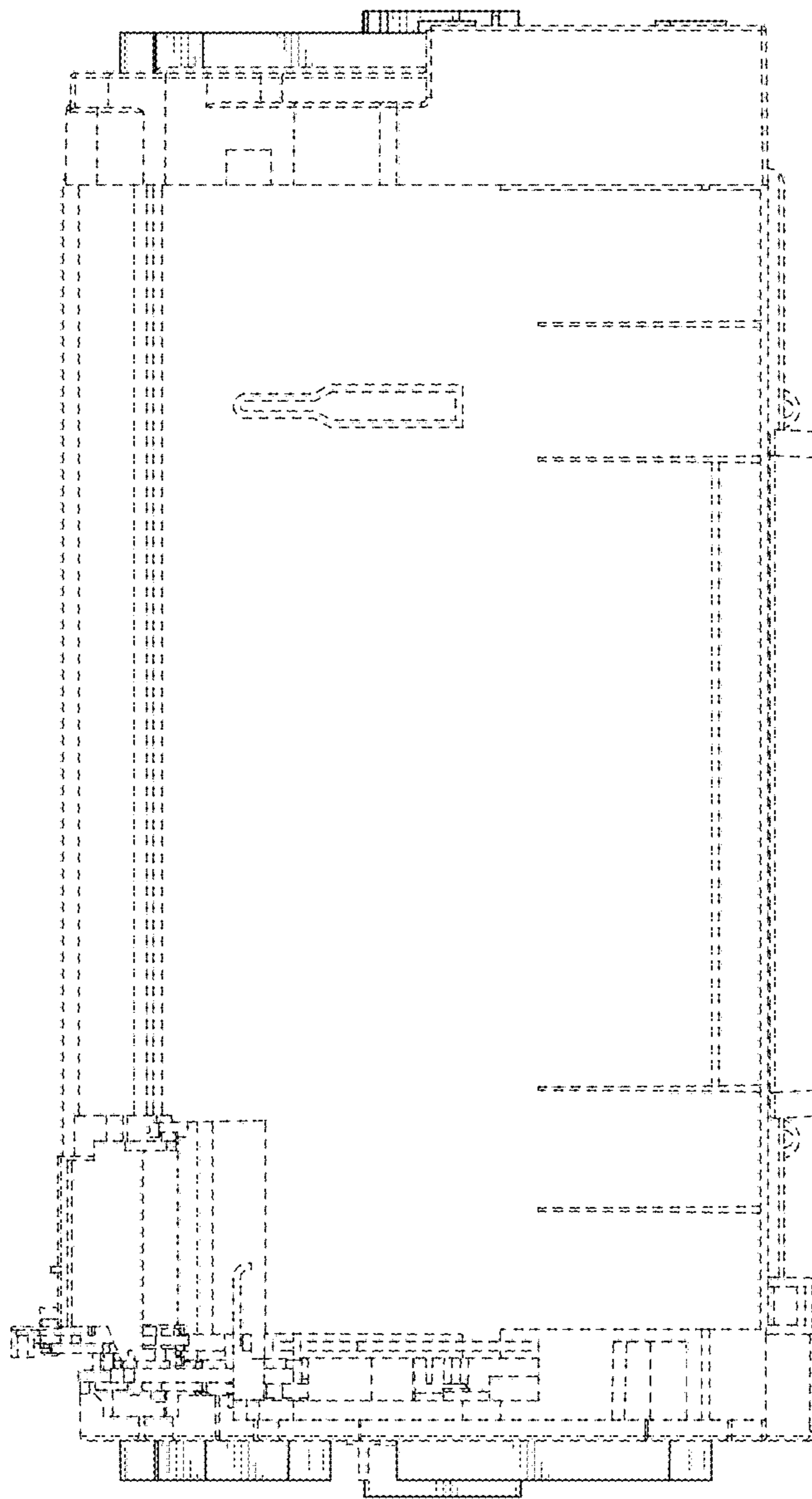


FIG. 10