



US00D852878S

(12) **United States Design Patent**
Li et al.

(10) **Patent No.:** **US D852,878 S**
(45) **Date of Patent:** **** Jul. 2, 2019**

- (54) **HEADWEAR VIRTUAL REALITY DEVICE**
- (71) Applicant: **ARIADNE'S THREAD HOLDING (BEIJING) CO., LTD.**, Beijing (CN)
- (72) Inventors: **Kai Li**, Beijing (CN); **Yunlong Zhang**, Beijing (CN); **Dengfeng Shi**, Beijing (CN); **Xu Jia**, Beijing (CN); **Jun Liu**, Beijing (CN)
- (73) Assignee: **ARIADNE'S THREAD HOLDING (BEIJING) CO., LTD.**, Beijing (CN)

D556,811 S *	12/2007	Bruck	D16/312
D565,083 S *	3/2008	Tominaga	D16/311
D590,003 S *	4/2009	Knecht	D16/311
D599,394 S *	9/2009	Dondero	D16/312
D601,641 S *	10/2009	Yeung	D16/306
D669,471 S *	10/2012	Hwang	D14/372
D680,576 S *	4/2013	Chen	D16/312
D688,294 S *	8/2013	Roy	D16/309
D701,206 S *	3/2014	Luckey	D14/372
D719,953 S *	12/2014	Nokuo	D14/372
D726,243 S *	4/2015	Raina	D16/300
D729,307 S *	5/2015	Noordzij	D16/340
D732,028 S *	6/2015	Kim	D14/372

(Continued)

(**) Term: **15 Years**

(21) Appl. No.: **29/631,224**

(22) Filed: **Dec. 28, 2017**

(51) **LOC (11) Cl.** **16-06**

(52) **U.S. Cl.**
USPC **D16/309**

(58) **Field of Classification Search**
 USPC D16/101, 300-342, 900; D29/109-110;
 D21/483, 659-661; D14/372; 351/41,
 351/44, 45-48, 51-52, 62, 158, 92,
 351/103-123, 140-153, 63, 59; 2/13, 15,
 2/426-432, 447-449, 441, 434-437
 CPC G02C 2200/08; G02C 1/06; G02C 5/14;
 G02C 11/02; G02C 11/04; G02C 5/16;
 G02C 2200/22; G02C 5/146; G02C
 5/2254; G02C 5/008; G01C 5/16; A61M
 2021/0044; A63B 33/002; G02B 27/2228
 See application file for complete search history.

(56) **References Cited**

U.S. PATENT DOCUMENTS

D484,170 S *	12/2003	Zorkendorfer	D16/300
6,824,265 B1 *	11/2004	Harper	G02C 11/04 351/158
D513,032 S *	12/2005	Diamantidis	D16/300
D548,251 S *	8/2007	Broersma	D16/101
D549,265 S *	8/2007	Saderholm	D16/312

OTHER PUBLICATIONS

Immers Luci, announced unknown, [online], [site visited Aug. 26, 2018]. Available from Internet, <URL: <https://www.luciglobal.com/immers/info>> (Year: 2018).*

Primary Examiner — Michelle E. Wilson

Assistant Examiner — Sanjeev Paul

(74) *Attorney, Agent, or Firm* — Scully Scott Murphy & Presser

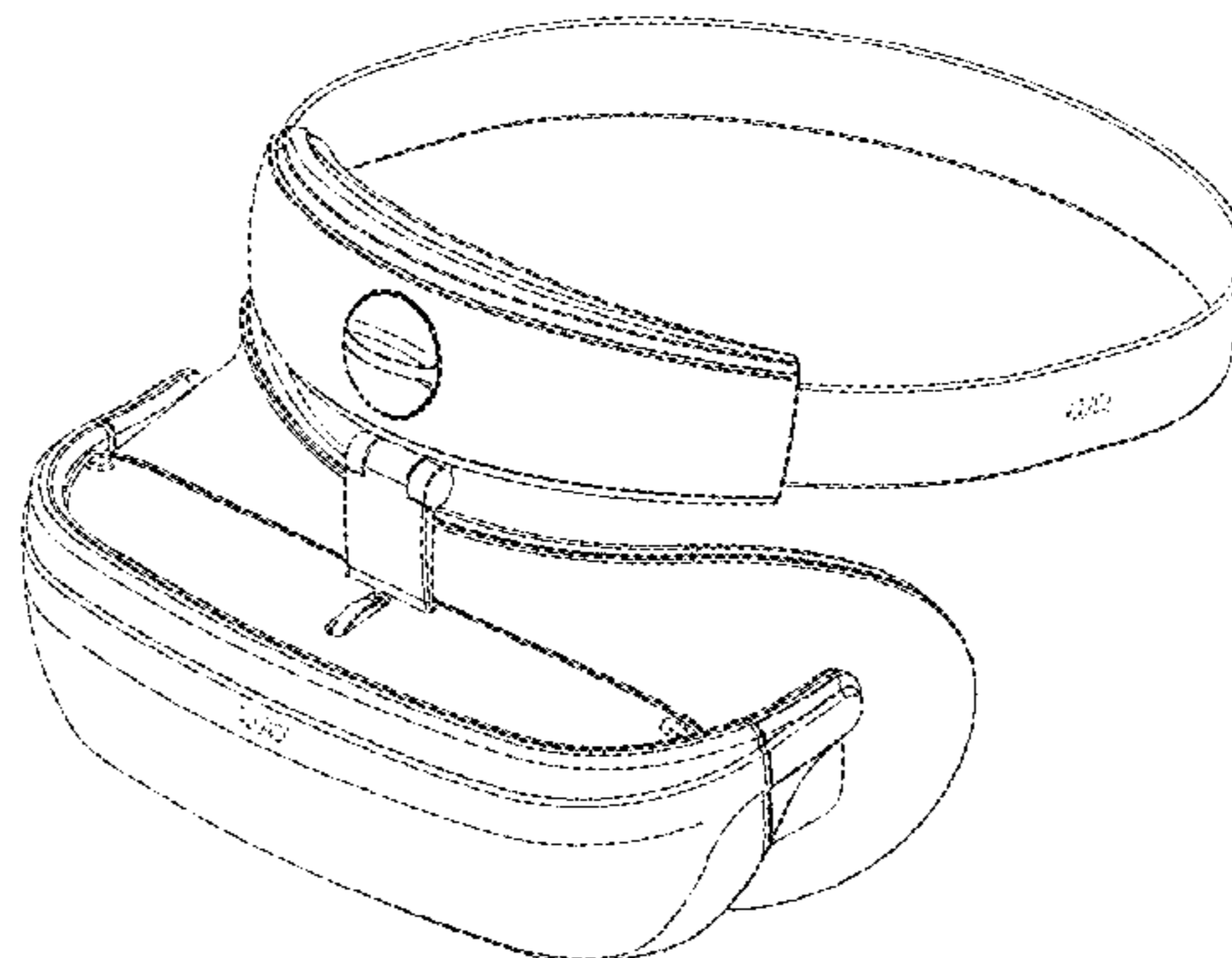
(57) **CLAIM**

The ornamental design for a headwear virtual reality device, as shown and described.

DESCRIPTION

FIG. 1 is a perspective view of a headwear virtual reality device showing our new design;
 FIG. 2 is a front view thereof;
 FIG. 3 is a rear view thereof;
 FIG. 4 is a left side view thereof;
 FIG. 5 is a right side view thereof;
 FIG. 6 is a top plan view thereof; and,
 FIG. 7 is a bottom plan view thereof.
 The broken lines depict portions of the headwear virtual reality device that form no part of the claimed design.

1 Claim, 7 Drawing Sheets



(56)

References Cited

U.S. PATENT DOCUMENTS

D740,813 S *	10/2015	Bosveld	D14/372	D792,879 S *	7/2017	Nakamura	D14/372
D746,818 S *	1/2016	Cho	D14/372	D793,390 S *	8/2017	Huang	D14/372
D749,580 S *	2/2016	Kim	D14/372	D795,867 S *	8/2017	Huang	D14/372
D751,072 S *	3/2016	Lyons	D14/372	D796,507 S *	9/2017	Chen	D14/372
D753,111 S *	4/2016	Fei	D14/372	D798,298 S *	9/2017	Haber	D14/372
D753,112 S *	4/2016	Fei	D14/372	D799,482 S *	10/2017	Thomas	D14/372
D759,015 S *	6/2016	Mehin	D14/372	D800,116 S *	10/2017	Yee	D14/372
D759,654 S *	6/2016	Sullivan	D14/372	D800,117 S *	10/2017	Yee	D14/372
D764,466 S *	8/2016	Kim	D14/372	D801,969 S *	11/2017	Yee	D14/372
D766,895 S *	9/2016	Choi	D14/372	D801,970 S *	11/2017	Sullivan	D14/372
D766,896 S *	9/2016	Li	D14/372	2016/0062454 A1 *	3/2016	Wang	G09G 5/003
D773,461 S *	12/2016	Jiang	D14/372				345/633
D780,751 S *	3/2017	Park	D14/372	2016/0086386 A1 *	3/2016	Son	G02B 27/017
D781,288 S *	3/2017	Park	D14/372				345/633
D781,289 S *	3/2017	Patel	D14/372	2017/0010471 A1 *	1/2017	Serrano Canovas	G02B 27/0176
D785,619 S *	5/2017	Su	D14/372				
D791,126 S *	7/2017	Sullivan	D14/372	2017/0102562 A1 *	4/2017	Ban	G02C 11/10
D791,129 S *	7/2017	Sullivan	D14/372	2017/0192198 A1 *	7/2017	Bristol	G02B 7/12
				2017/0242262 A1 *	8/2017	Fuchs	G02B 27/2228
				2017/0255019 A1 *	9/2017	Lyons	G02B 27/0172

* cited by examiner

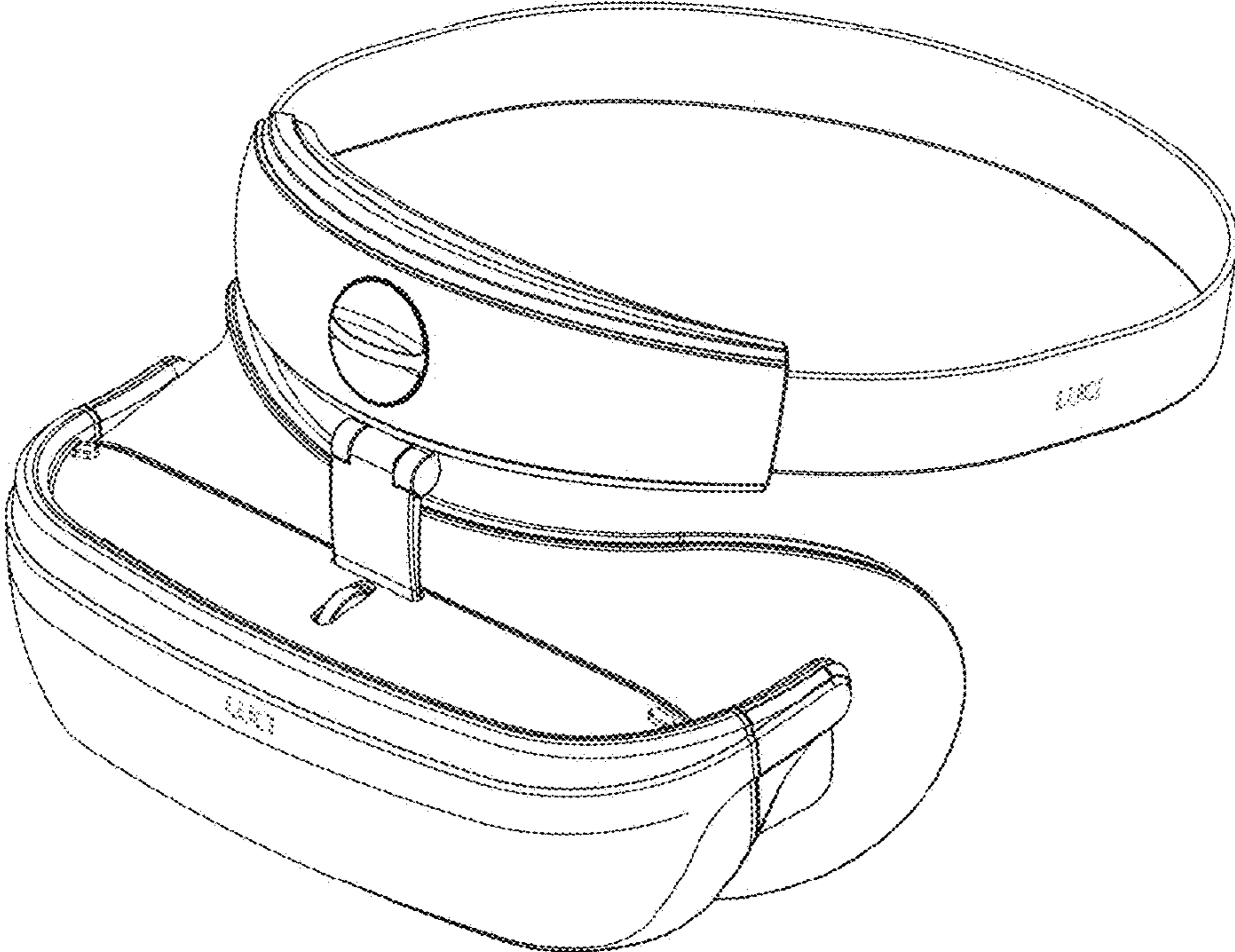


FIG. 1

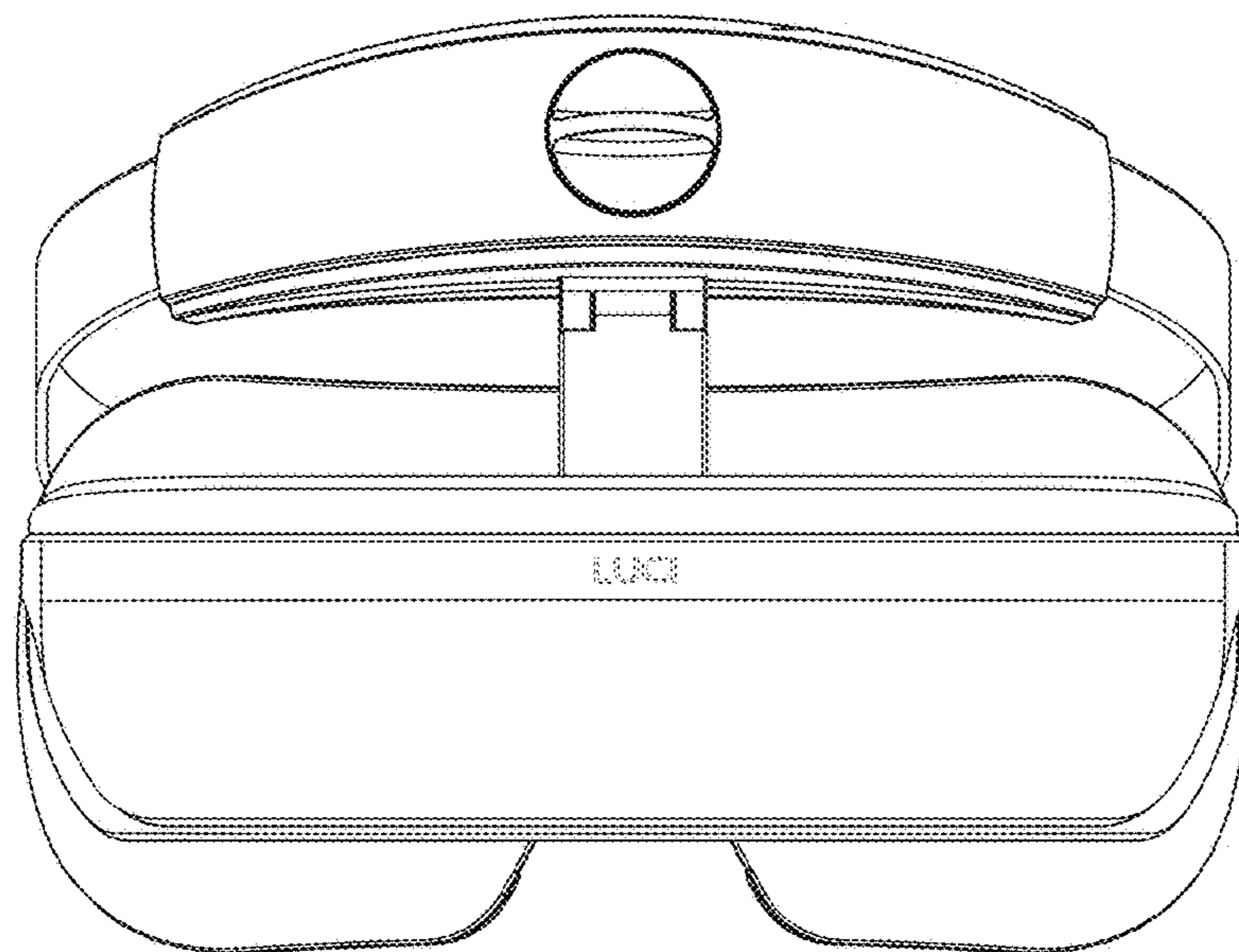


FIG. 2

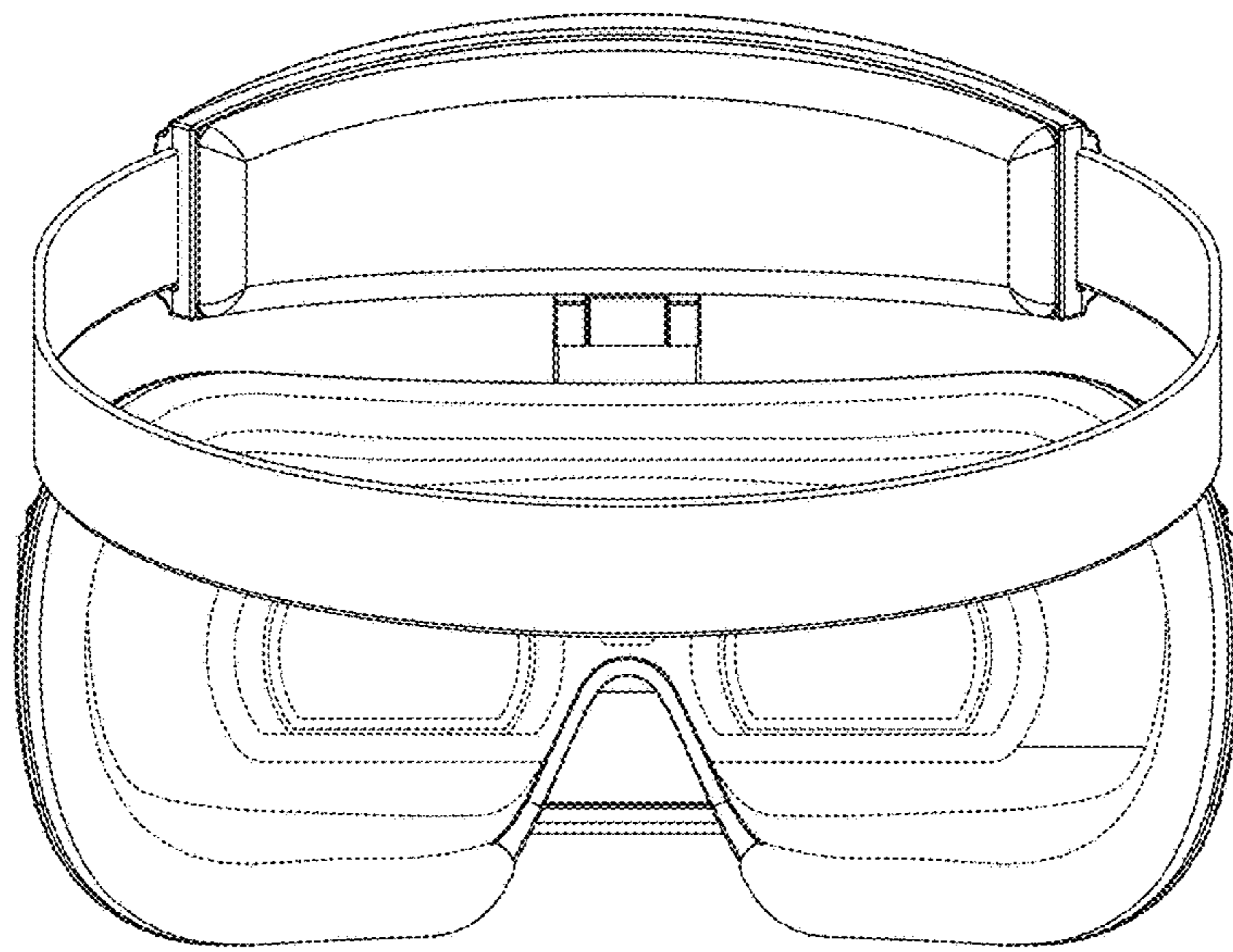


FIG. 3

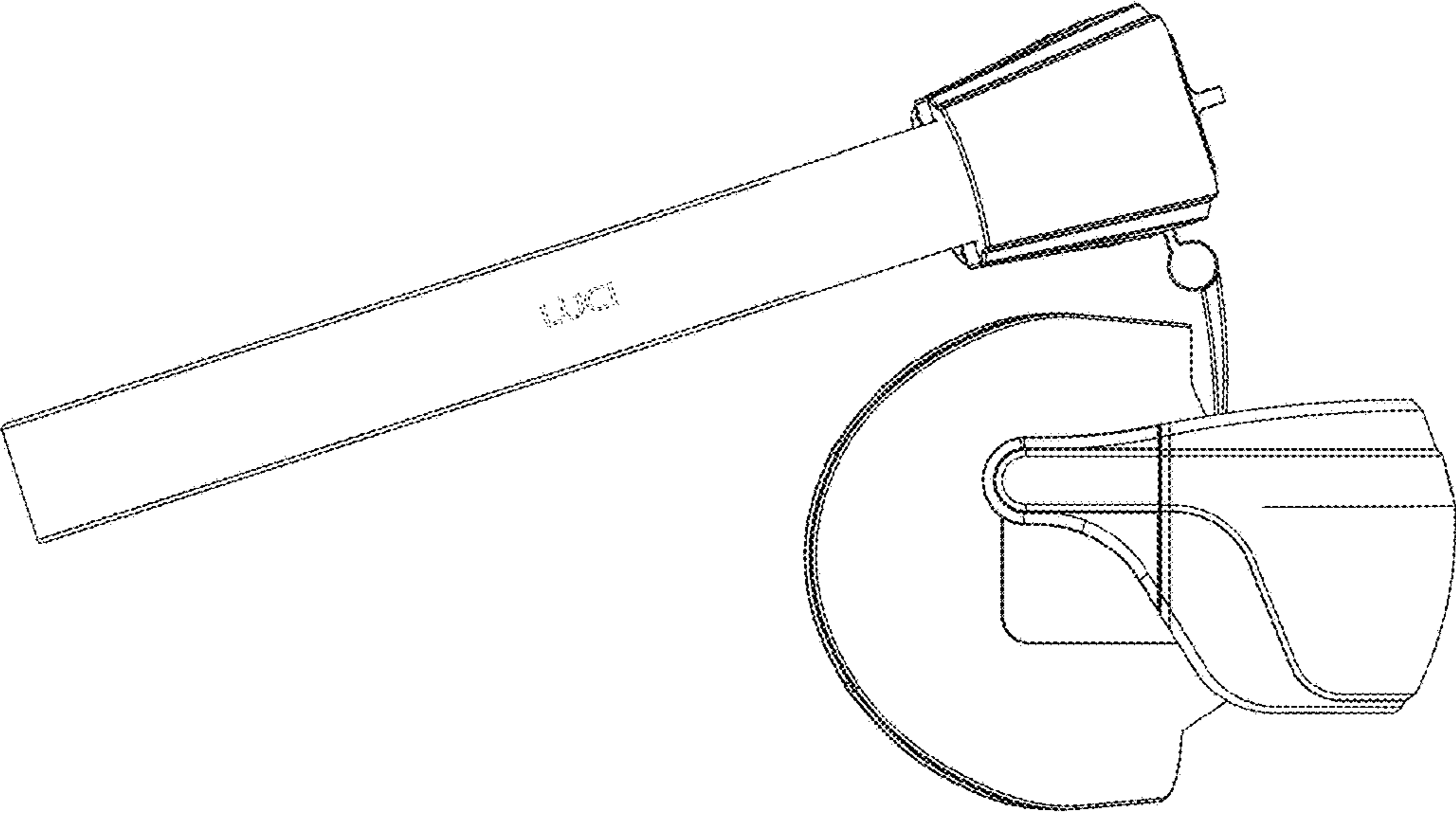


FIG. 4

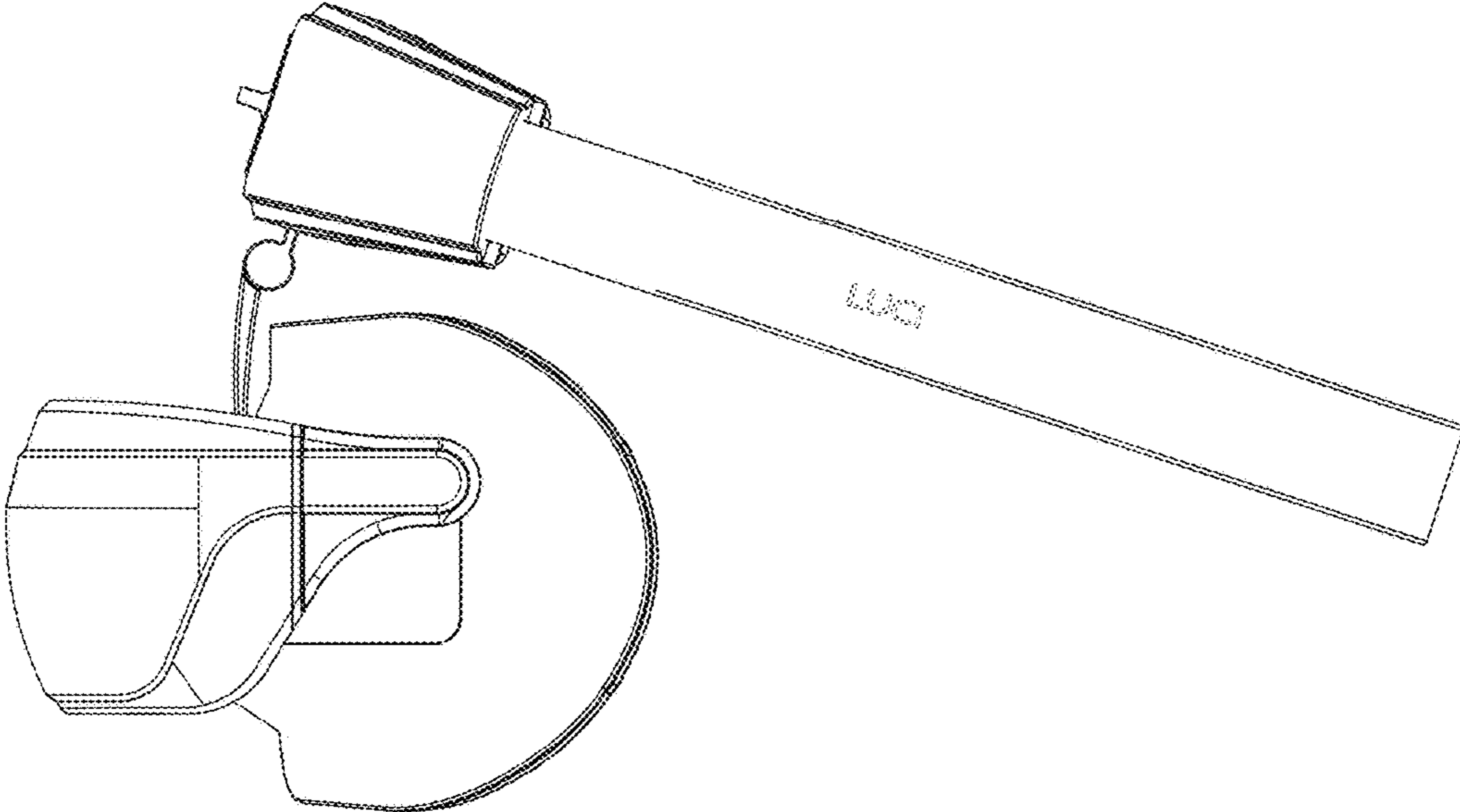


FIG. 5

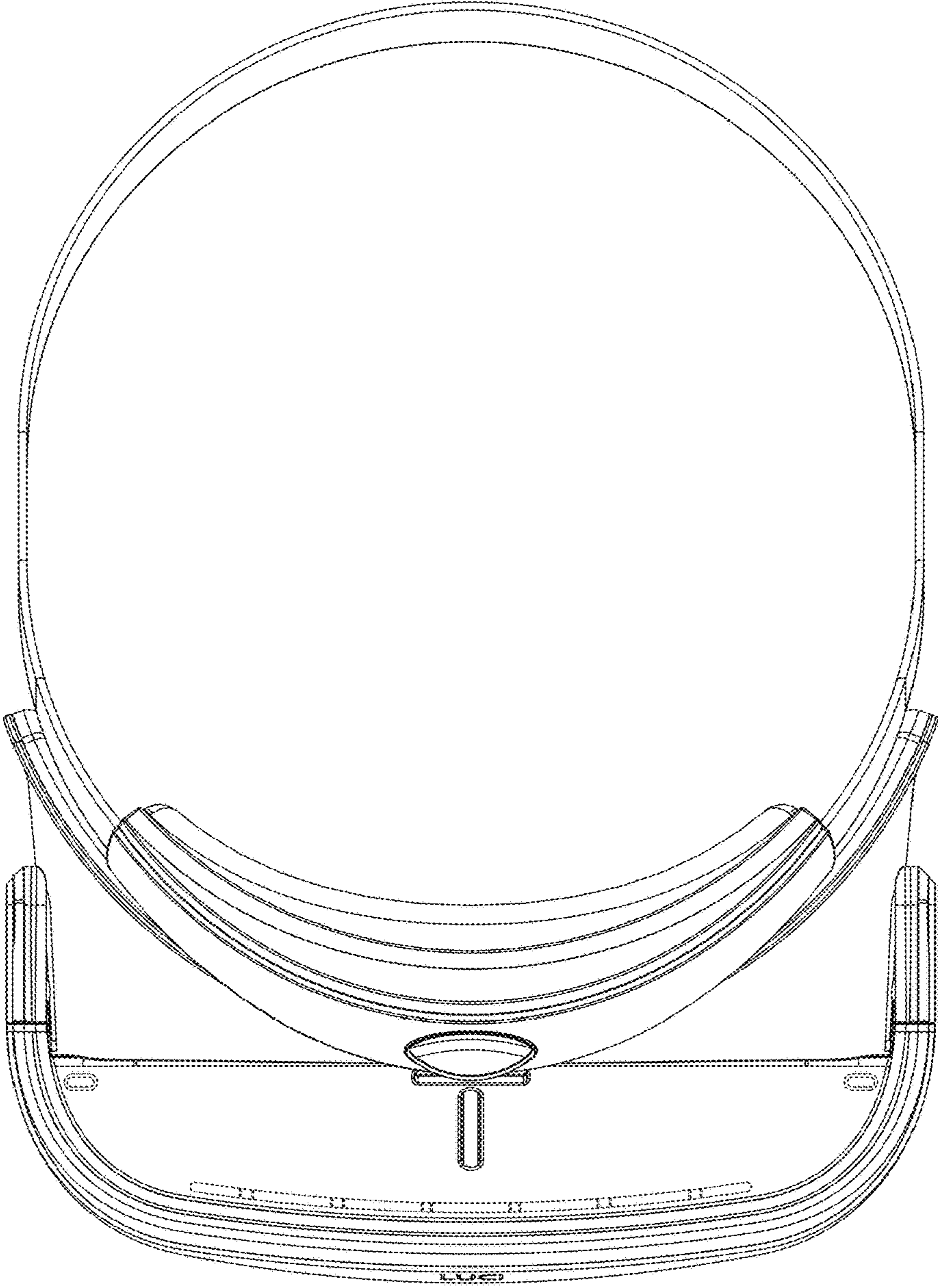


FIG. 6

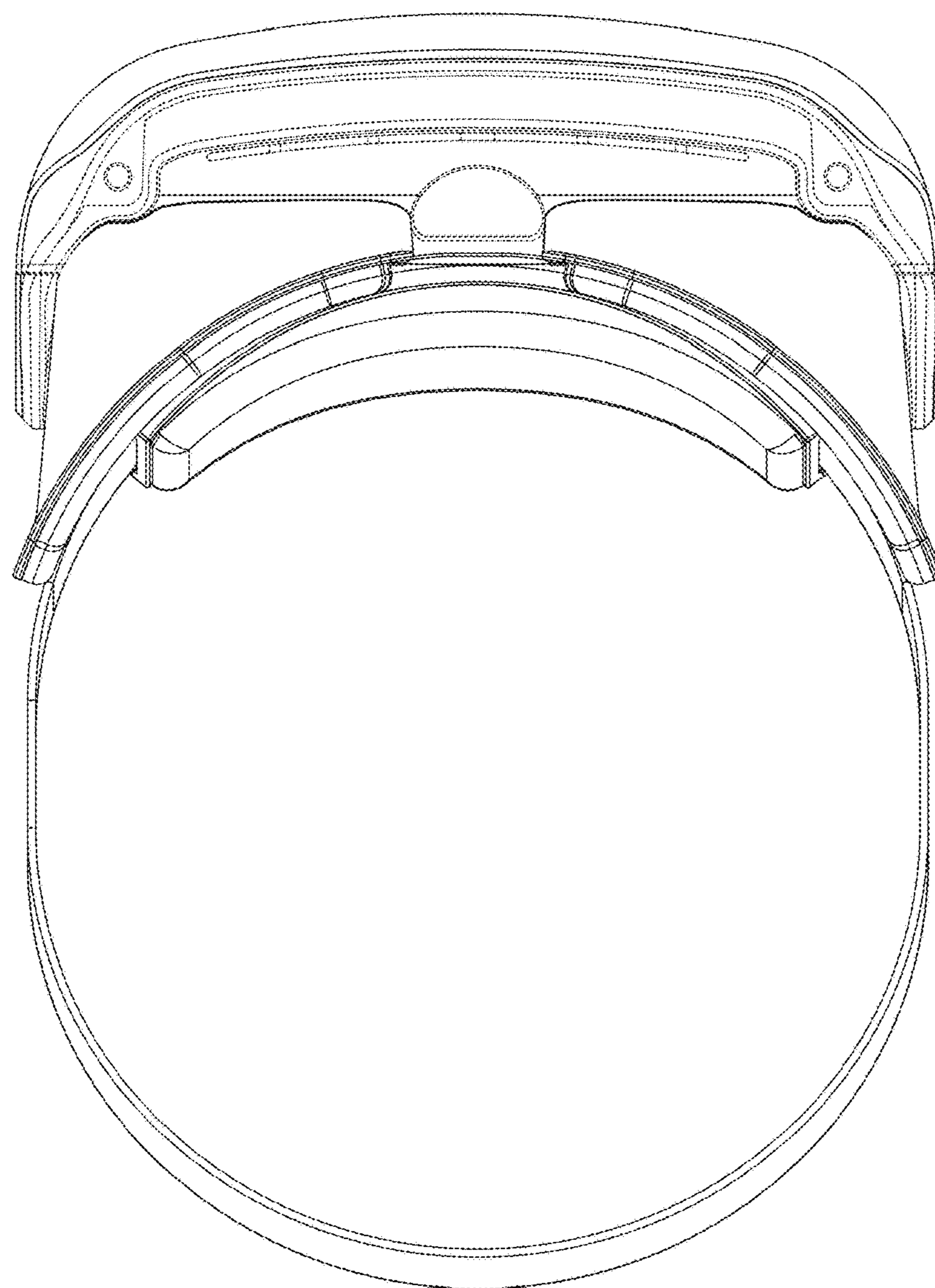


FIG. 7