



US00D852877S

(12) **United States Design Patent**
Olmos-Calderon

(10) **Patent No.:** **US D852,877 S**

(45) **Date of Patent:** **** Jul. 2, 2019**

(54) **TRIPOD MOUNTING CLAMP**

(71) Applicant: **Moises H Olmos-Calderon**, Denver,
CO (US)

(72) Inventor: **Moises H Olmos-Calderon**, Denver,
CO (US)

(**) Term: **15 Years**

(21) Appl. No.: **29/586,084**

(22) Filed: **Nov. 30, 2016**

(51) **LOC (11) Cl.** **16-05**

(52) **U.S. Cl.**
USPC **D16/245**

(58) **Field of Classification Search**
USPC D16/242–245; D8/349–353, 71
CPC G02B 23/18
See application file for complete search history.

(56) **References Cited**

U.S. PATENT DOCUMENTS

D230,082 S *	1/1974	Adams	D16/242
D366,887 S *	2/1996	Wood	D16/242
D402,184 S *	12/1998	Smith	D8/349
D435,211 S *	12/2000	Rusch	D8/349
D454,479 S *	3/2002	Kolpin	D8/349
D483,788 S *	12/2003	Dordick	D16/242
D564,567 S *	3/2008	Dordick	D16/242
D653,692 S *	2/2012	Dordick	D16/242
D673,029 S *	12/2012	Apestequia Martinez	D8/349
D730,428 S *	5/2015	Samuels	D16/242
D771,732 S *	11/2016	Russell	D14/253

D780,743 S *	3/2017	Chun	D14/253
D783,013 S *	4/2017	Chun	D14/253
D796,482 S *	9/2017	Zheng	D14/217
D797,179 S *	9/2017	Dordick	D16/245
D799,581 S *	10/2017	Lin	D16/242
2015/0090849 A1 *	4/2015	Breitweiser	F16M 11/04 248/230.1
2018/0164662 A1	6/2018	Olmos-Calderon		

* cited by examiner

Primary Examiner — Garth Rademaker

Assistant Examiner — Melvin L Davis

(74) *Attorney, Agent, or Firm* — Patent Law Offices of
Rick Martin, P.C.

(57) **CLAIM**

The ornamental design for a tripod mounting clamp.

DESCRIPTION

FIG. 1 is a top perspective view for my tripod mounting clamp;
FIG. 2 is a bottom perspective view of my invention;
FIG. 3 is a left side elevation view of my invention;
FIG. 4 is a right side elevation view of my invention;
FIG. 5 is a front elevation view of my invention;
FIG. 6 is a rear elevation view of my invention;
FIG. 7 is a top plan view of my invention;
FIG. 8 is a bottom plan view of my invention; and,
FIG. 9 is a rear perspective view of my invention in use.
The broken lines indicating a tripod and tilt handle are for purposes of illustrating possible uses for my new design and form no part of the claimed design.

1 Claim, 5 Drawing Sheets

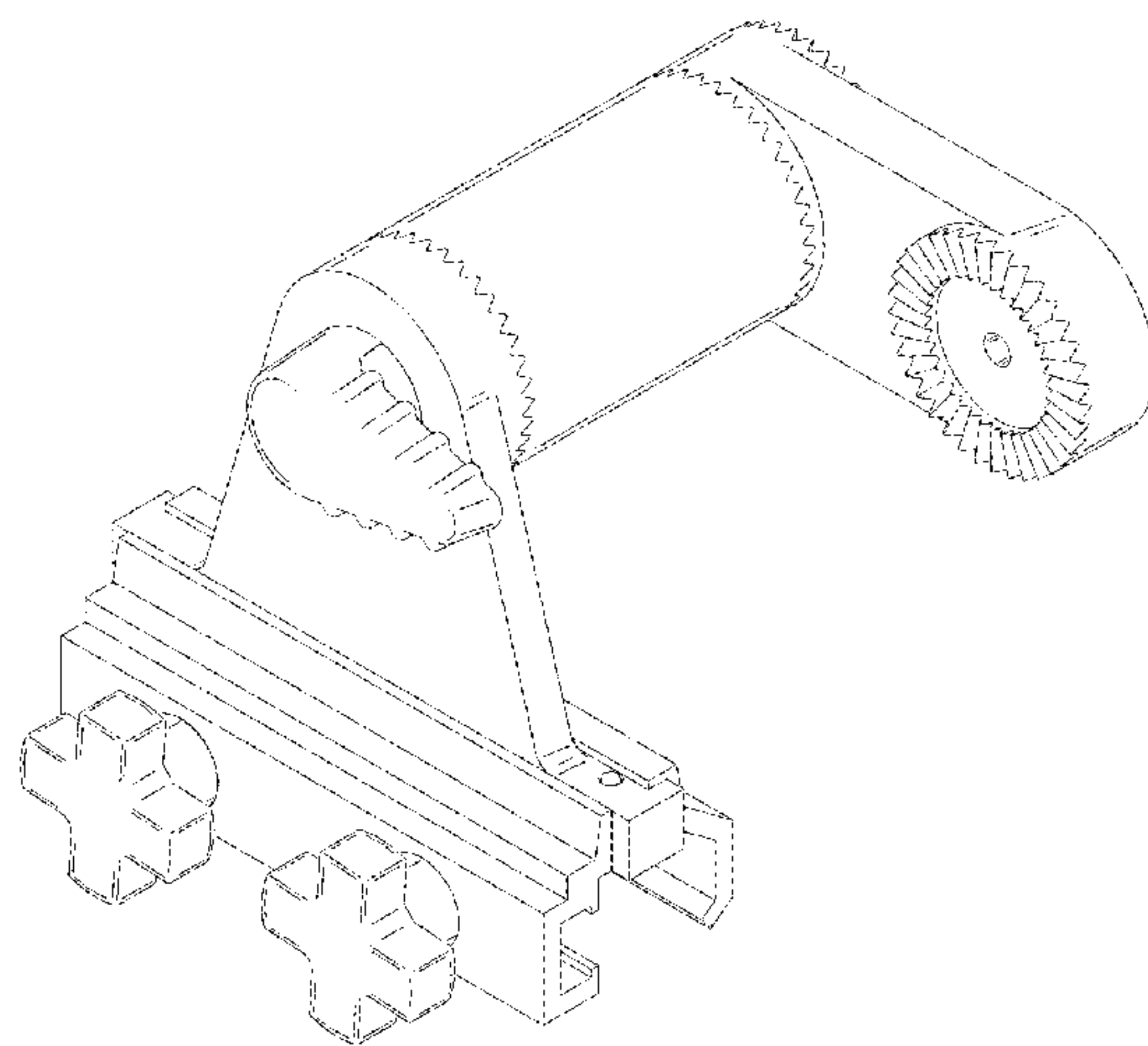
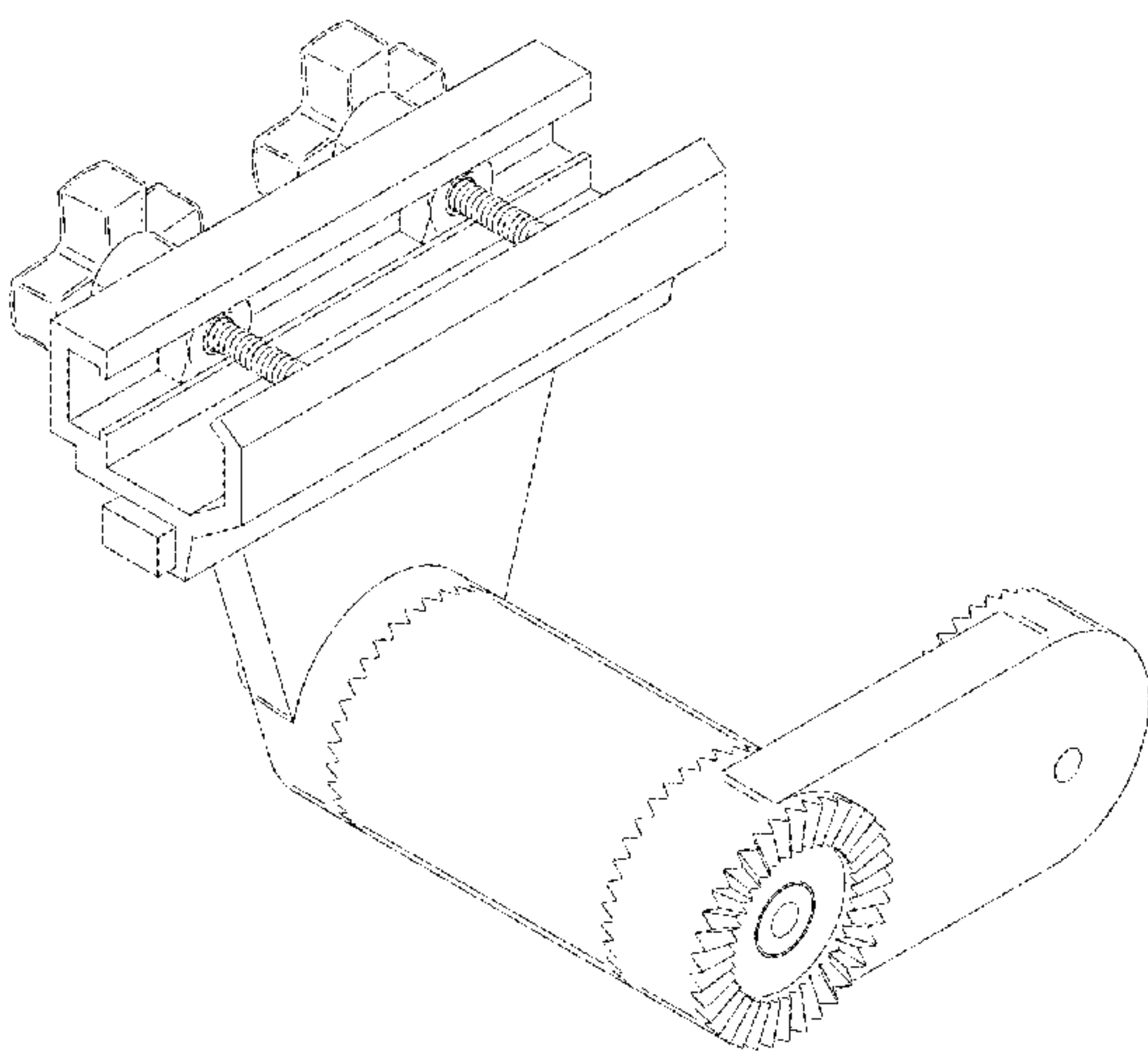


Fig. 1

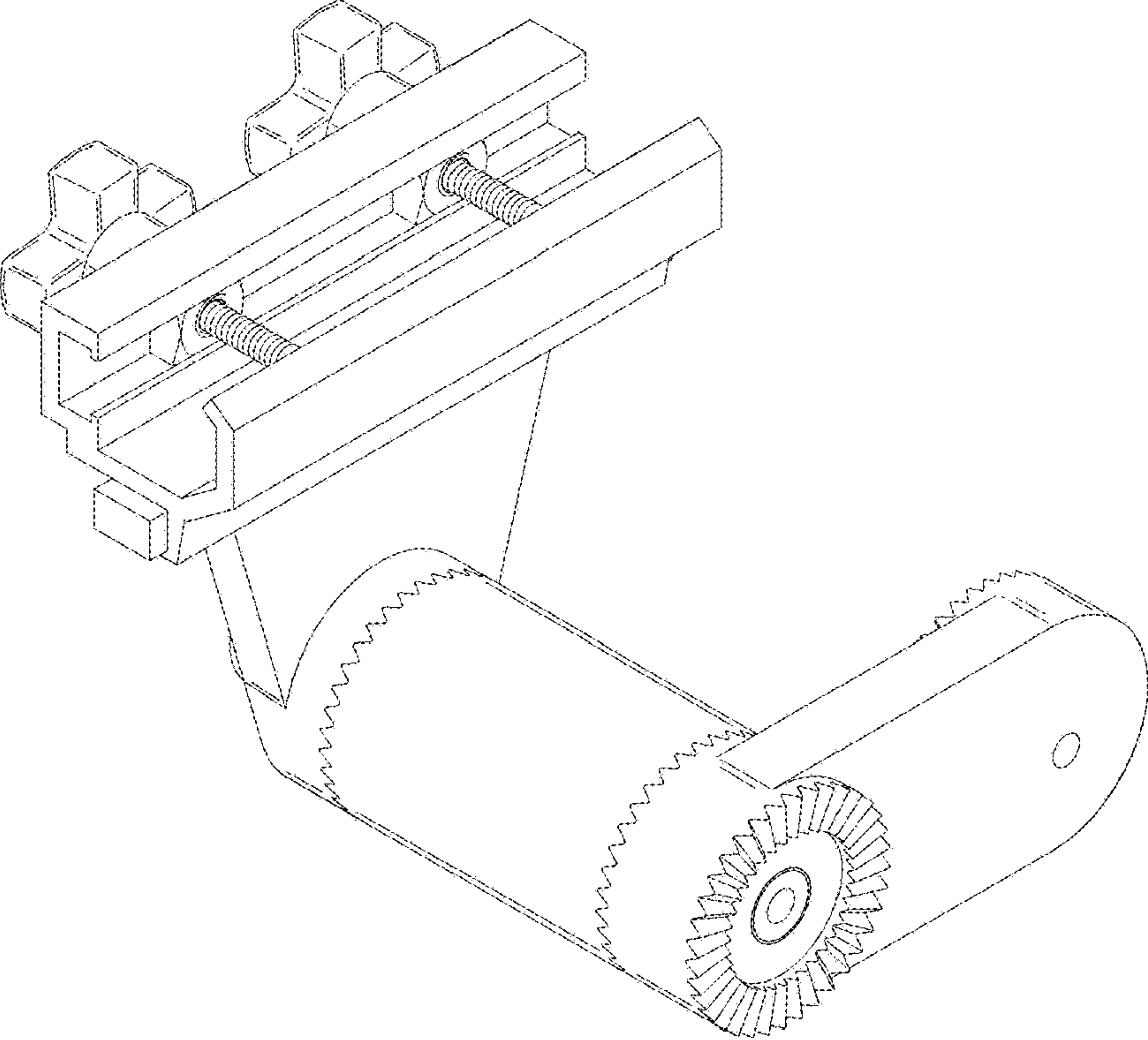


Fig. 2

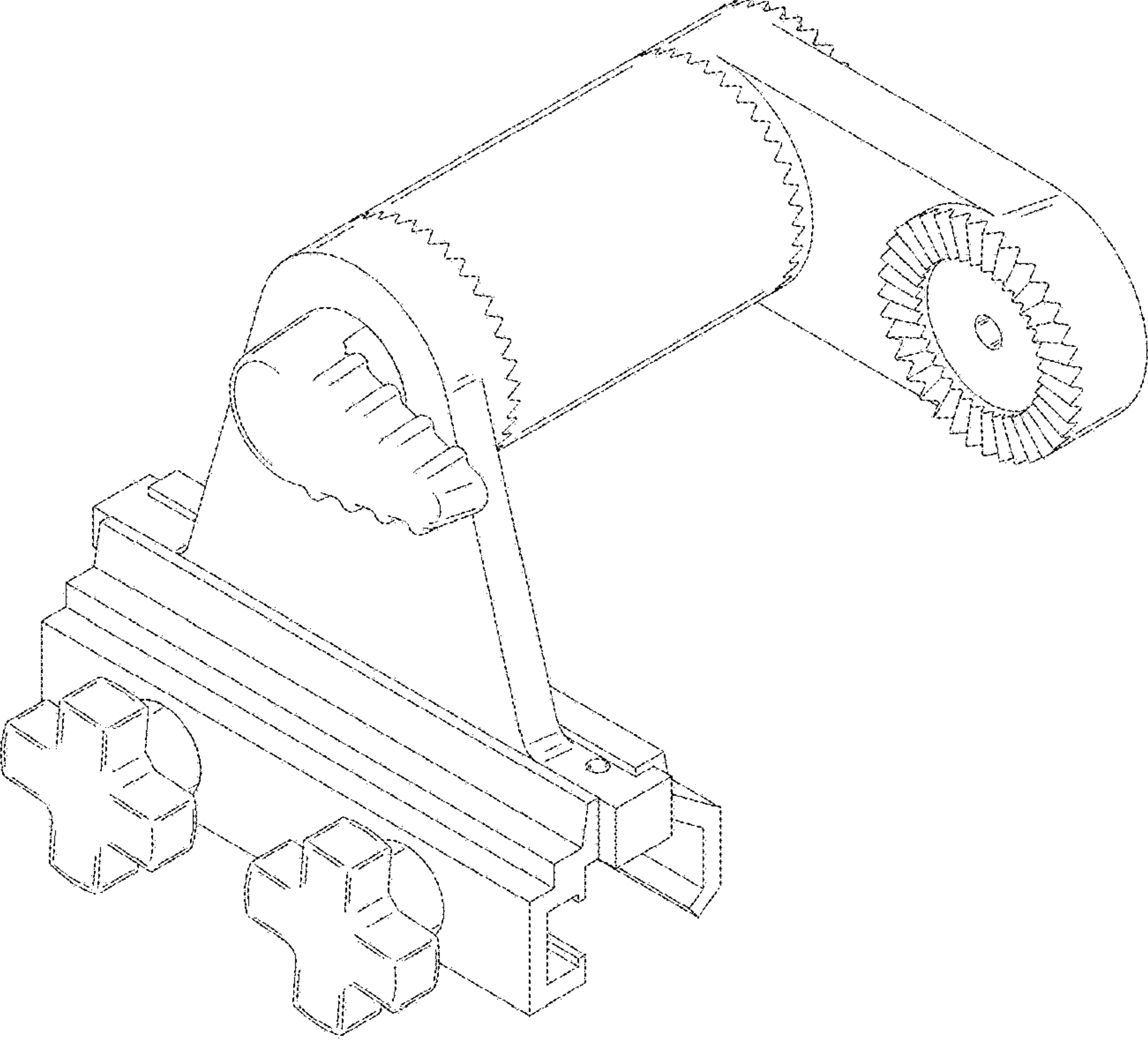


Fig. 3

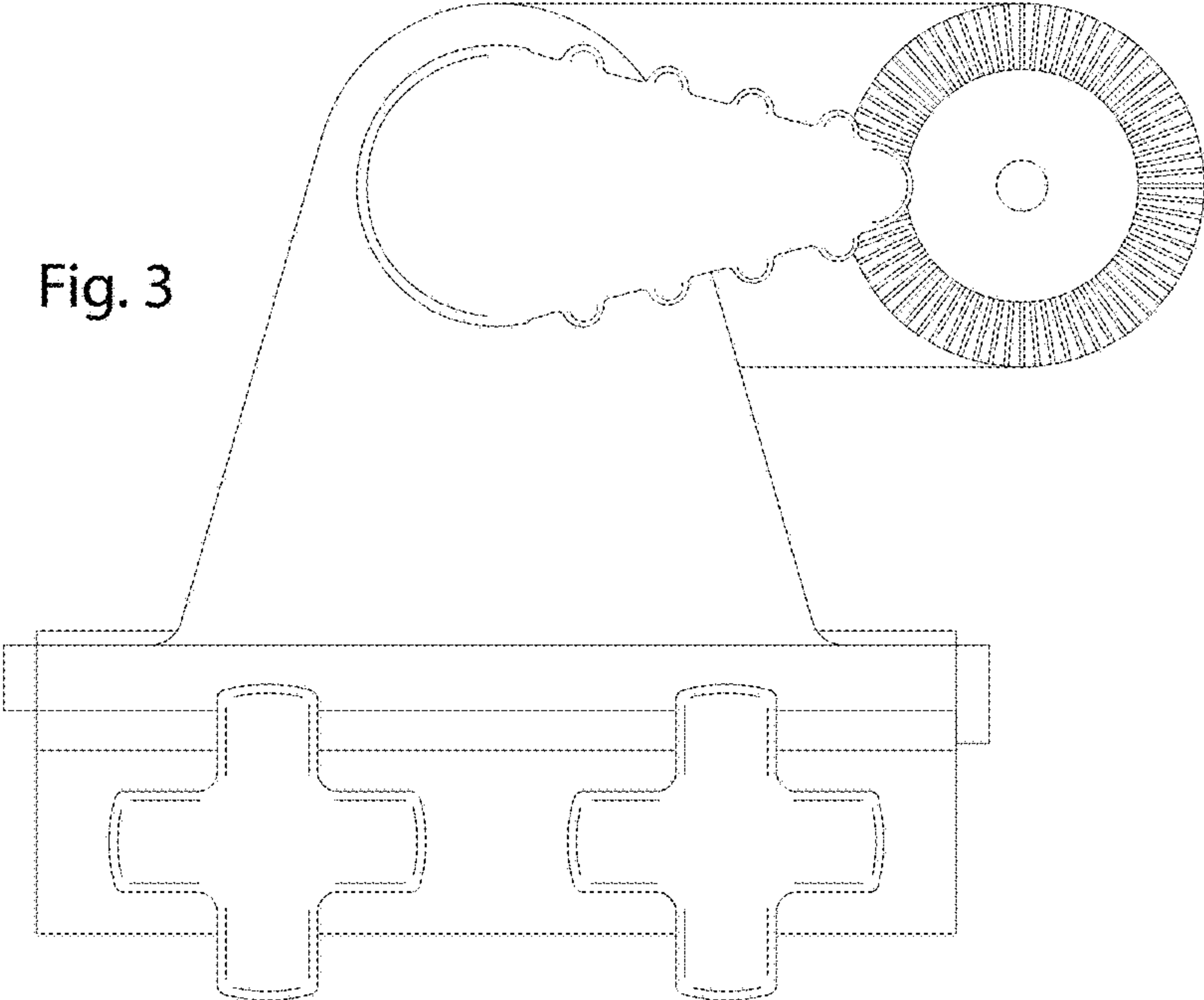
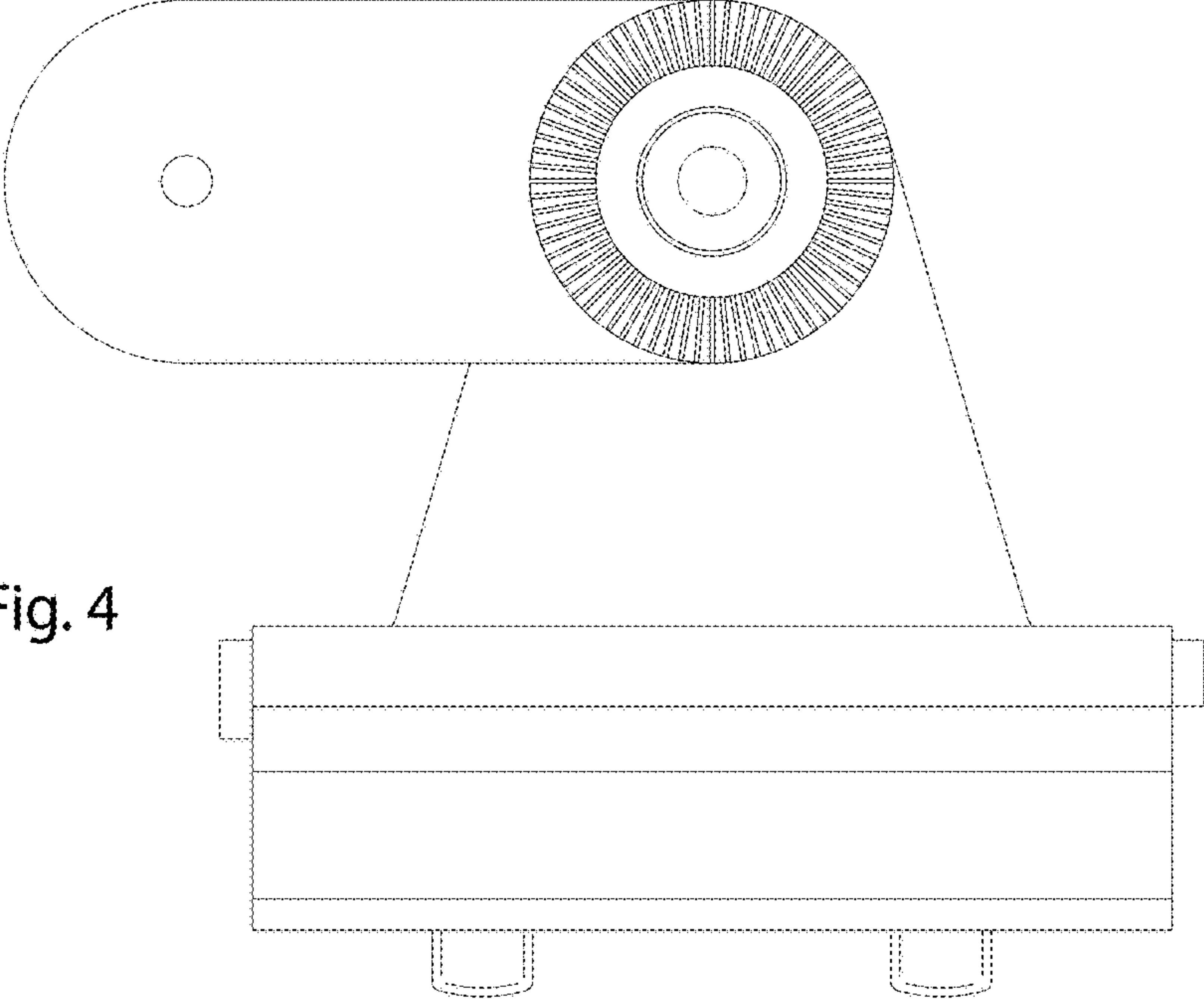
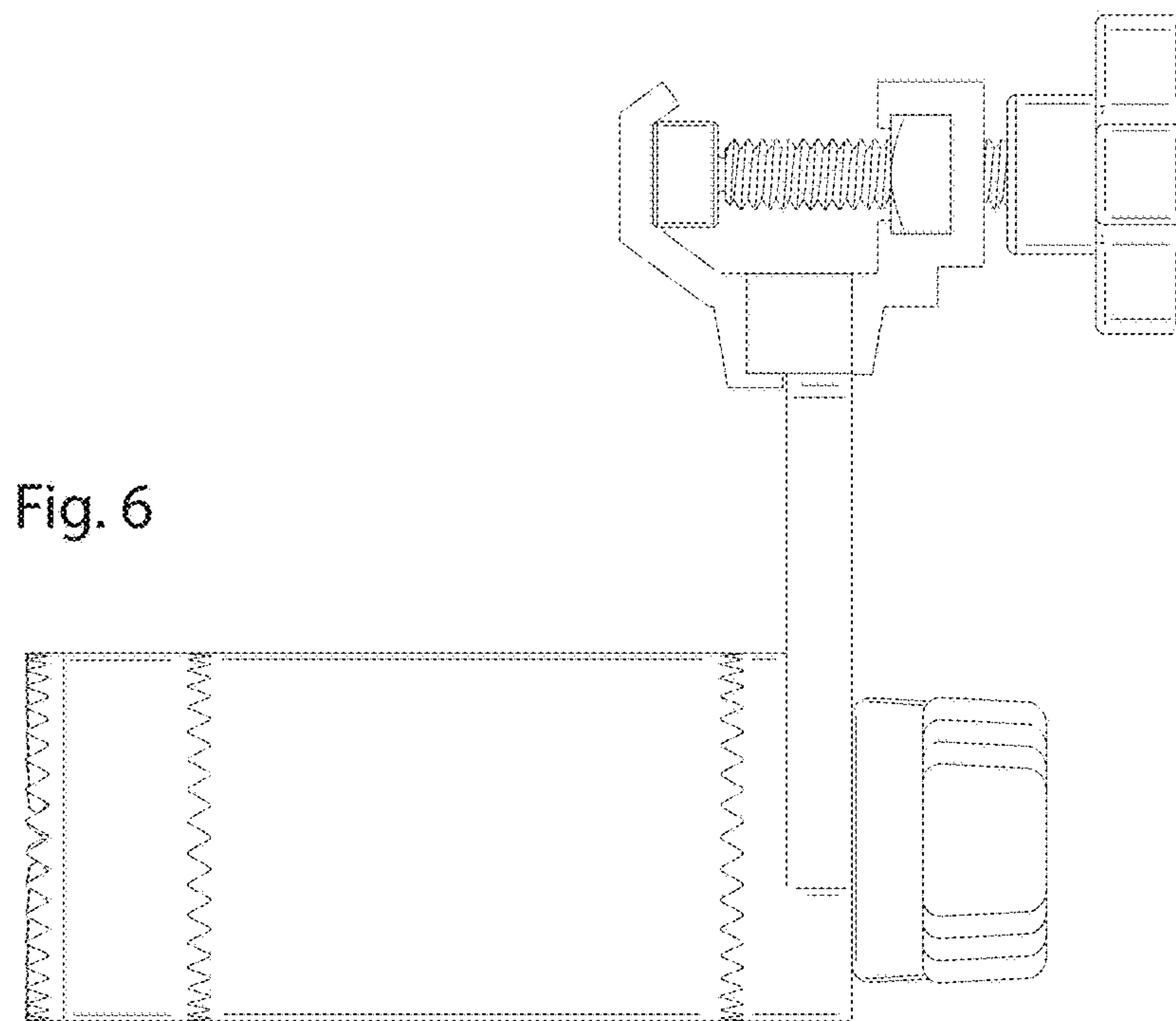
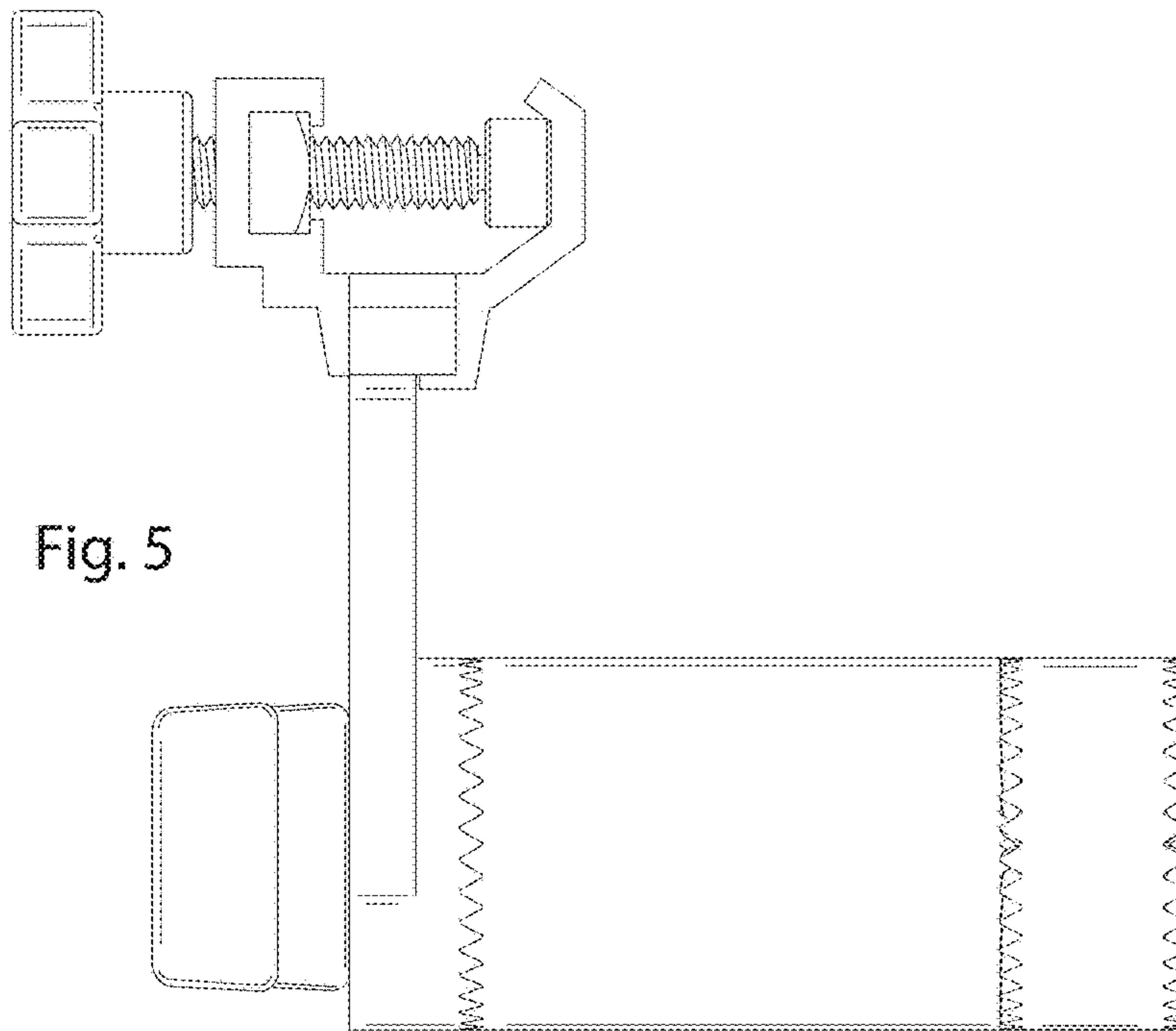
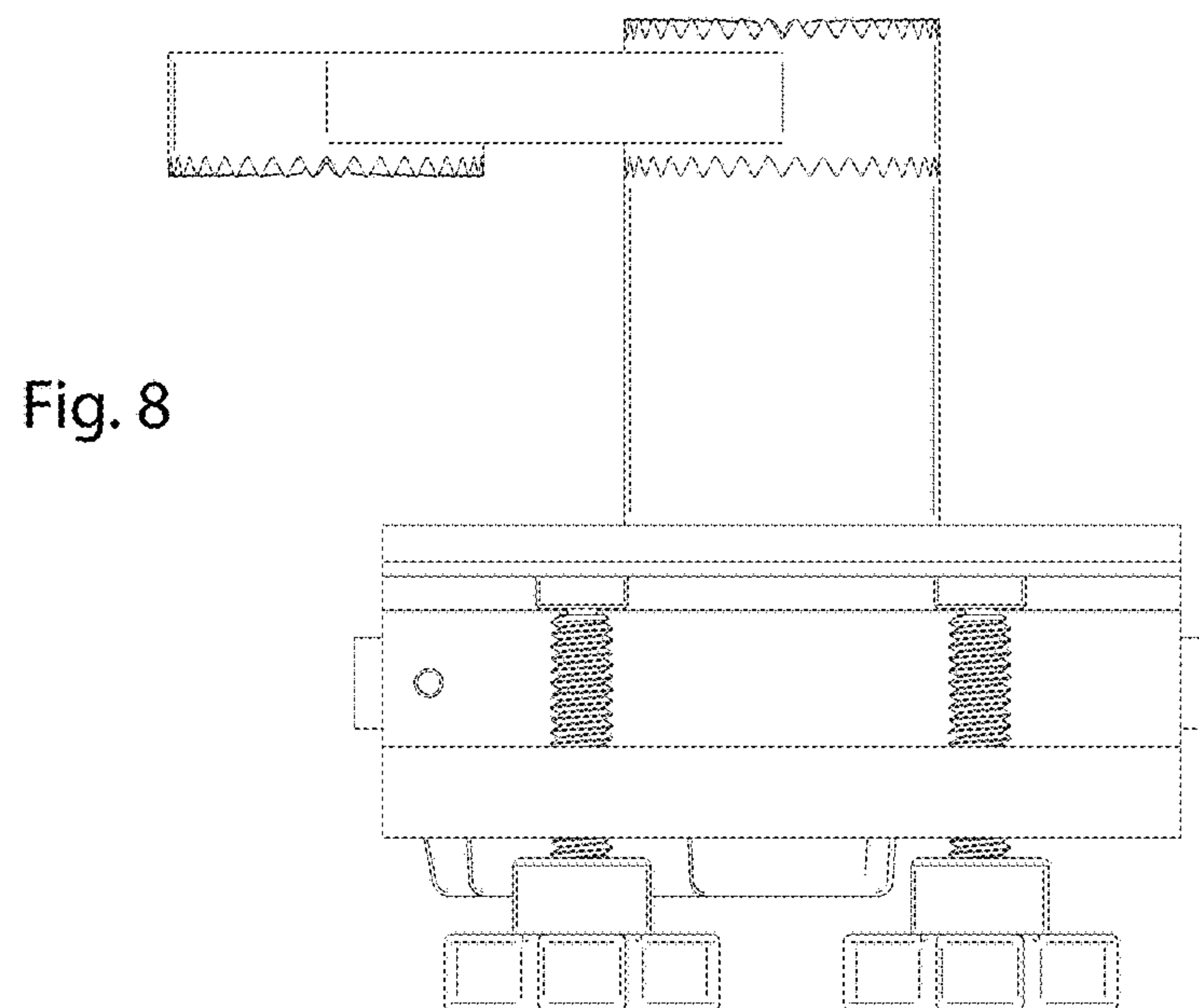
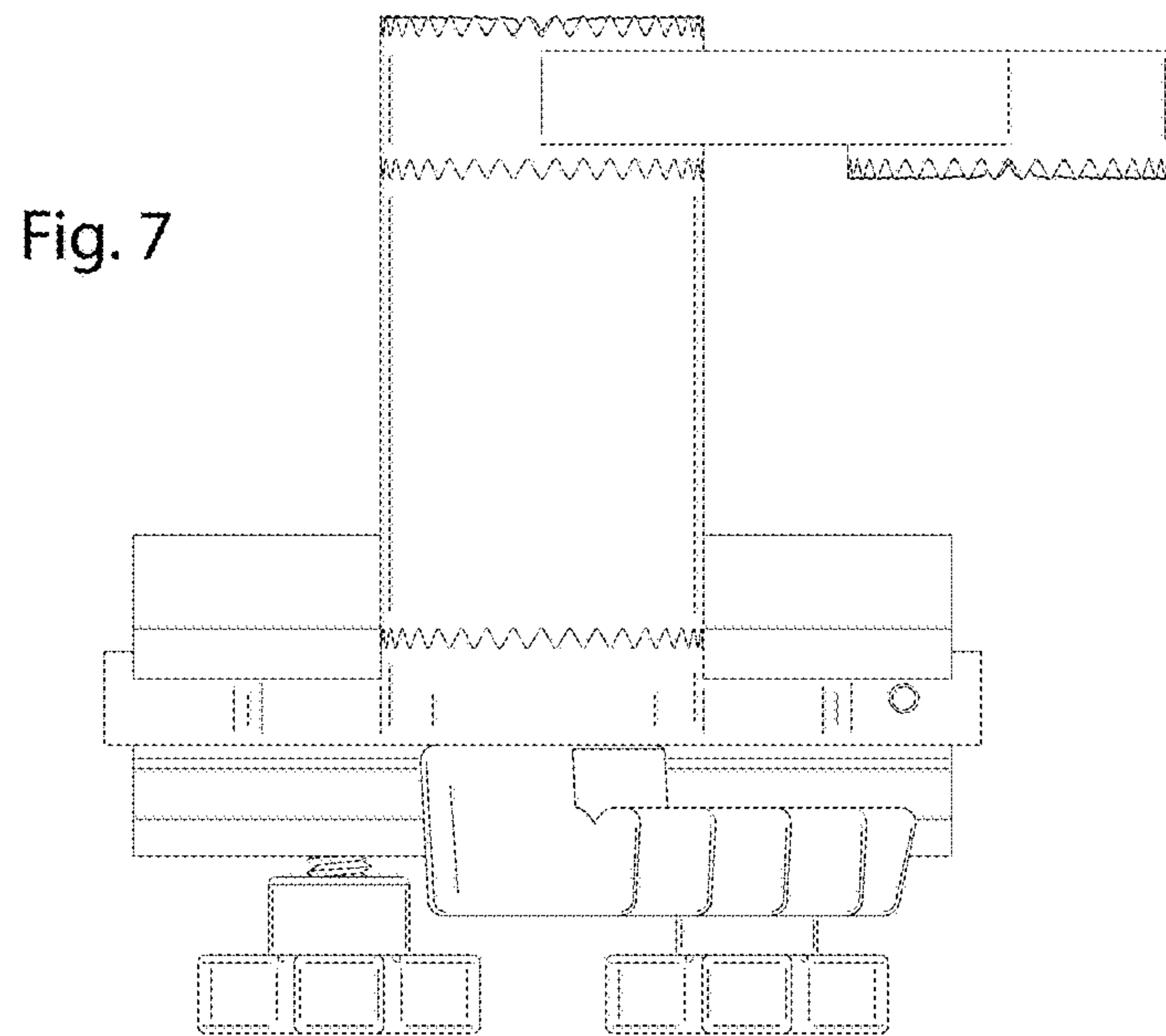


Fig. 4







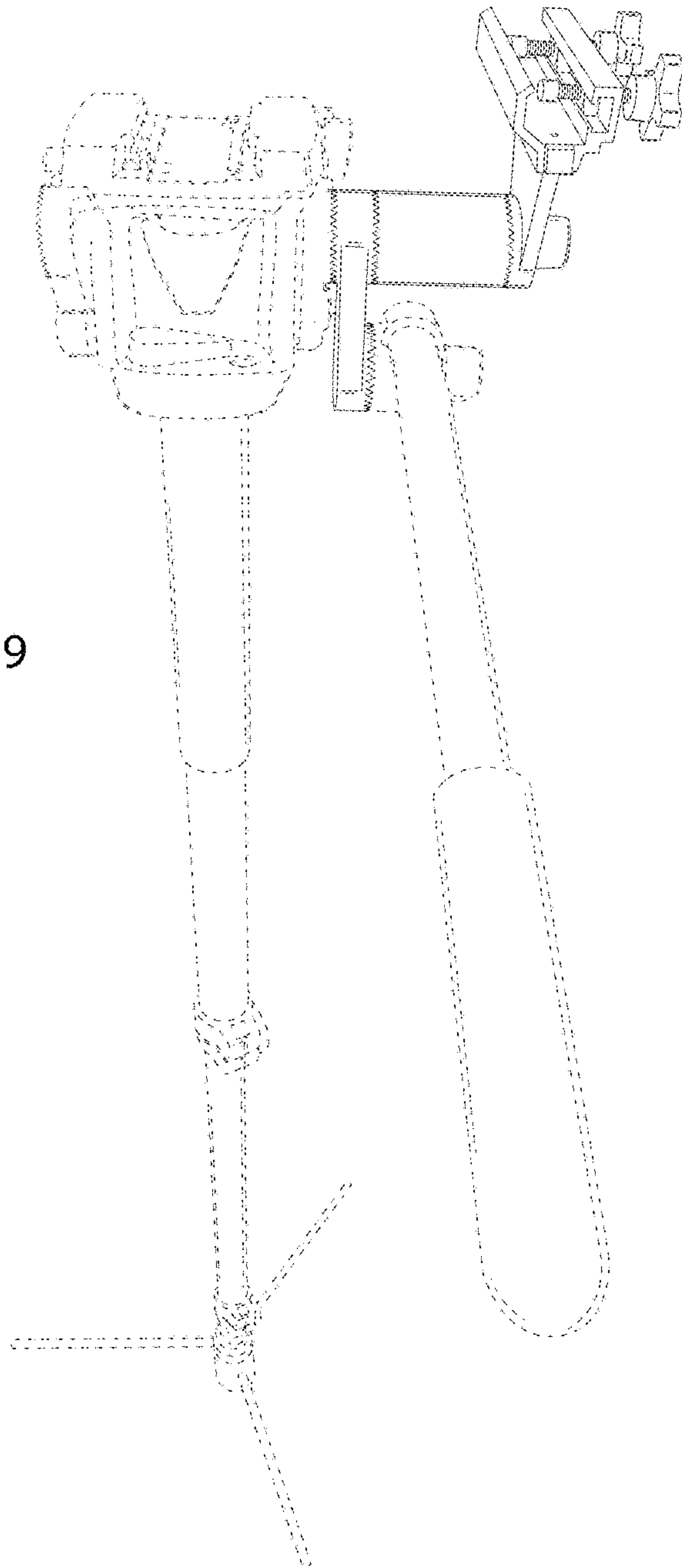


Fig. 9