



US00D852876S

(12) **United States Design Patent** (10) **Patent No.:** **US D852,876 S**
Fook (45) **Date of Patent:** **** Jul. 2, 2019**

(54) **TRIPOD**

(71) Applicant: **Lee Seng Fook**, Singapore (SG)

(72) Inventor: **Lee Seng Fook**, Singapore (SG)

(**) Term: **15 Years**

(21) Appl. No.: **29/628,412**

(22) Filed: **Dec. 5, 2017**

(51) **LOC (11) Cl.** **16-05**

(52) **U.S. Cl.**
USPC **D16/244**

(58) **Field of Classification Search**
USPC D16/219, 237-250; D14/224, 229, 238,
D14/251, 253, 447, 451, 457
CPC . G03B 17/56; G03B 17/561-568; A45F 5/00;
A45F 5/10

See application file for complete search history.

(56) **References Cited**

U.S. PATENT DOCUMENTS

D257,260 S *	10/1980	Shiraishi	D16/244
D299,244 S *	1/1989	Jones	D16/244
D300,037 S *	2/1989	Jones	D16/244
D505,442 S *	5/2005	Murray	D16/244
D508,938 S *	8/2005	Murray	D16/244
D552,660 S *	10/2007	Lee	D16/242
D632,720 S *	2/2011	Barker	D16/244
D643,230 S *	8/2011	Hepeng	D6/708.25
9,851,625 B1 *	12/2017	Fernandez	G03B 17/561
D807,421 S *	1/2018	Yin	D16/244

OTHER PUBLICATIONS

Manfrotto's new 360 tripods help keep gear out of immersive shots. [online] Published Aug. 10, 2017. Retrieved from URL: <https://www.digitaltrends.com/photography/manfrotto-360-tripods/>.
BEXIN dslr camera accessories Lightweight aluminum fold Desktop best small flexible Portable dslr slr mini camera tripod stand. [online] Retrieved Sep. 24, 2018 from URL: https://prorui.en.alibaba.com/product/60358281022-801940813/Zhongshan_Camera_grip_tripod_Lightweight_aluminum_Portable_fold_Desktop_best_small_mini_oc.

* cited by examiner

Primary Examiner — Vy N Koenig

(74) Attorney, Agent, or Firm — Muncy, Geissler, Olds & Lowe, P.C.

(57) **CLAIM**

I claim the ornamental design for a tripod, as shown and described.

DESCRIPTION

FIG. 1 is a front perspective view of a tripod showing my new design;

FIG. 2 is a front elevation view thereof;

FIG. 3 is a rear elevation view thereof;

FIG. 4 is a left side elevation view thereof;

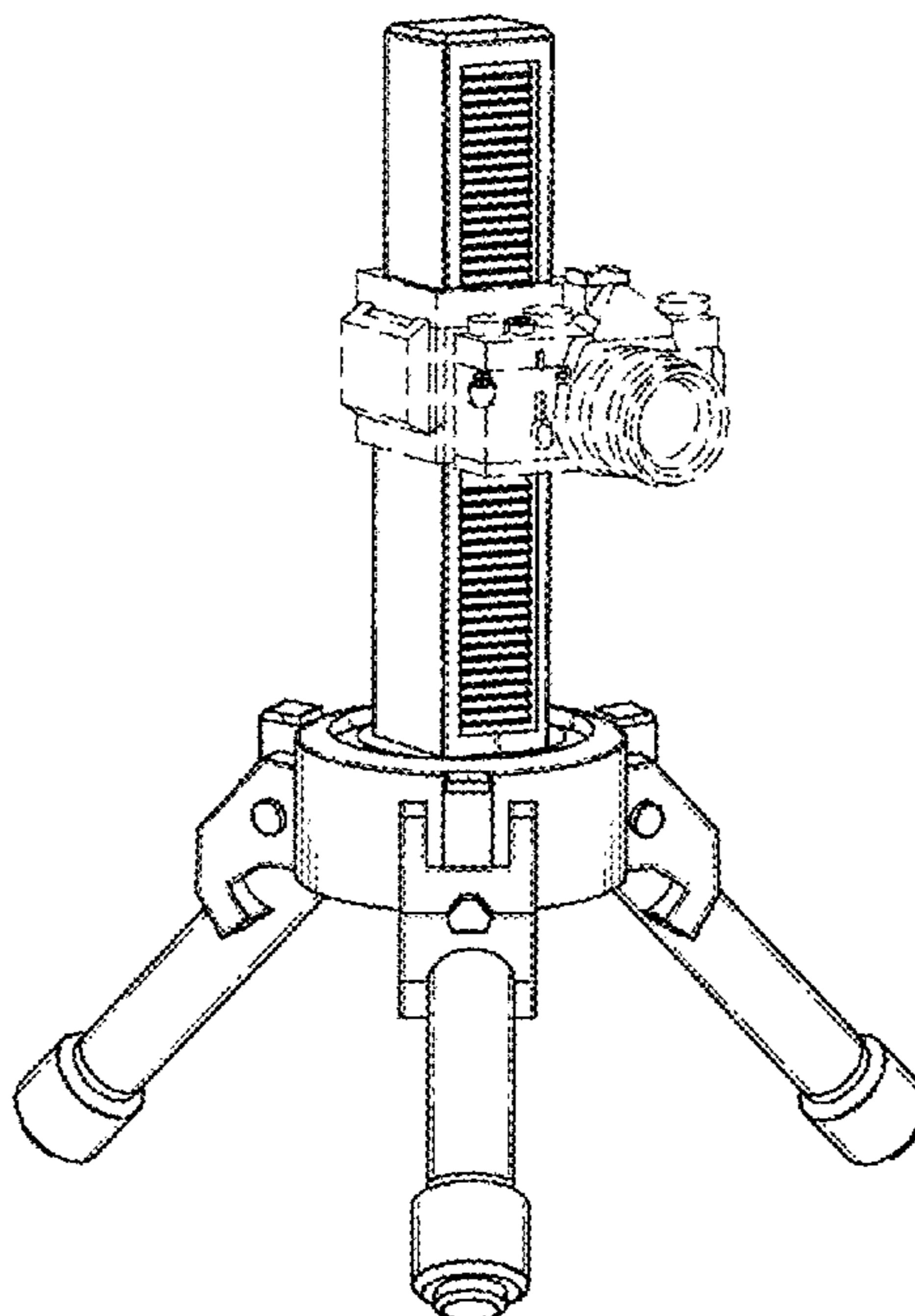
FIG. 5 is a right side elevation view thereof;

FIG. 6 is a top plan view thereof; and,

FIG. 7 is a bottom plan view thereof.

The broken lines in the drawings depict environmental subject matter only and form no part of the claimed design.

1 Claim, 7 Drawing Sheets



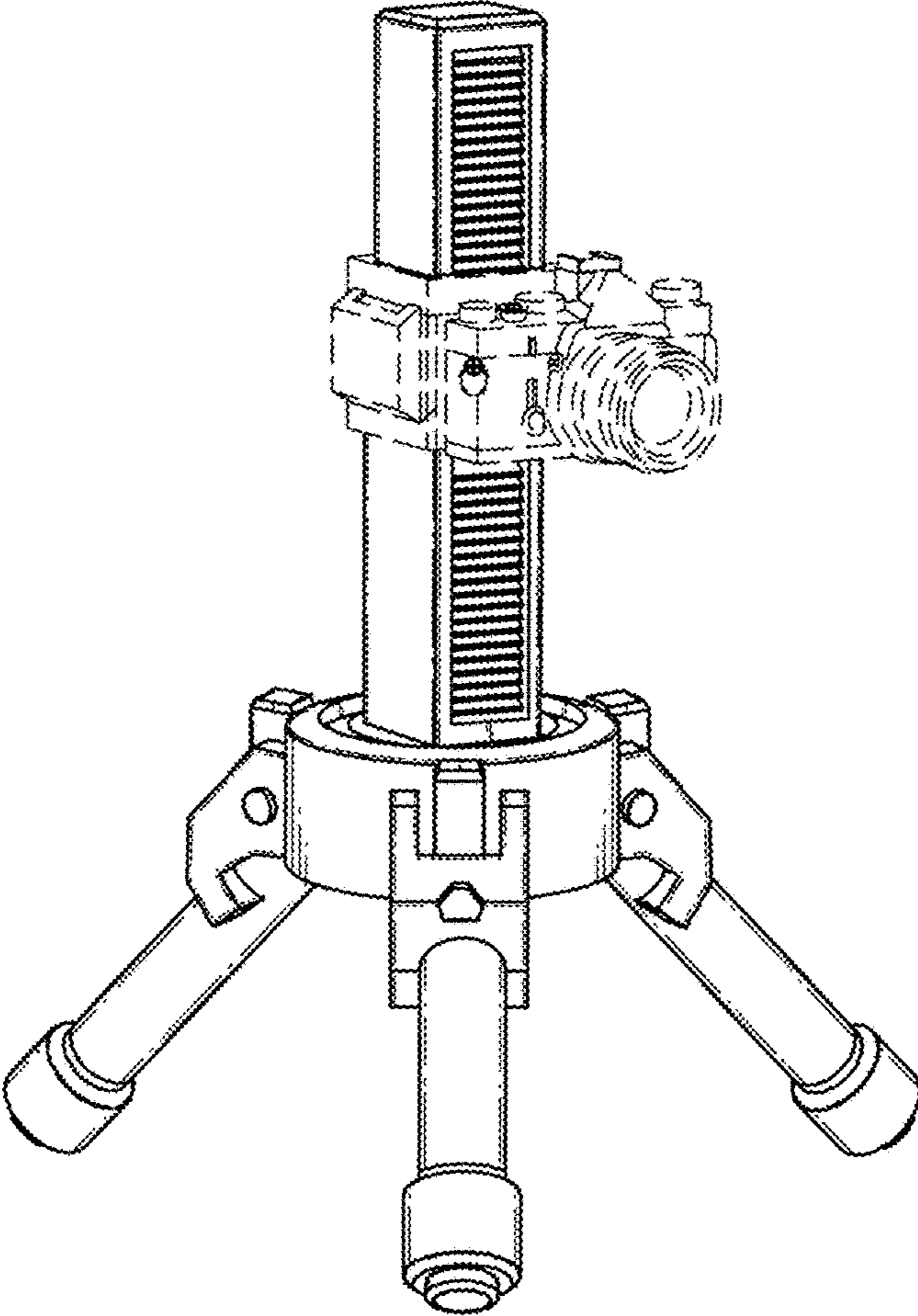


FIG. 1

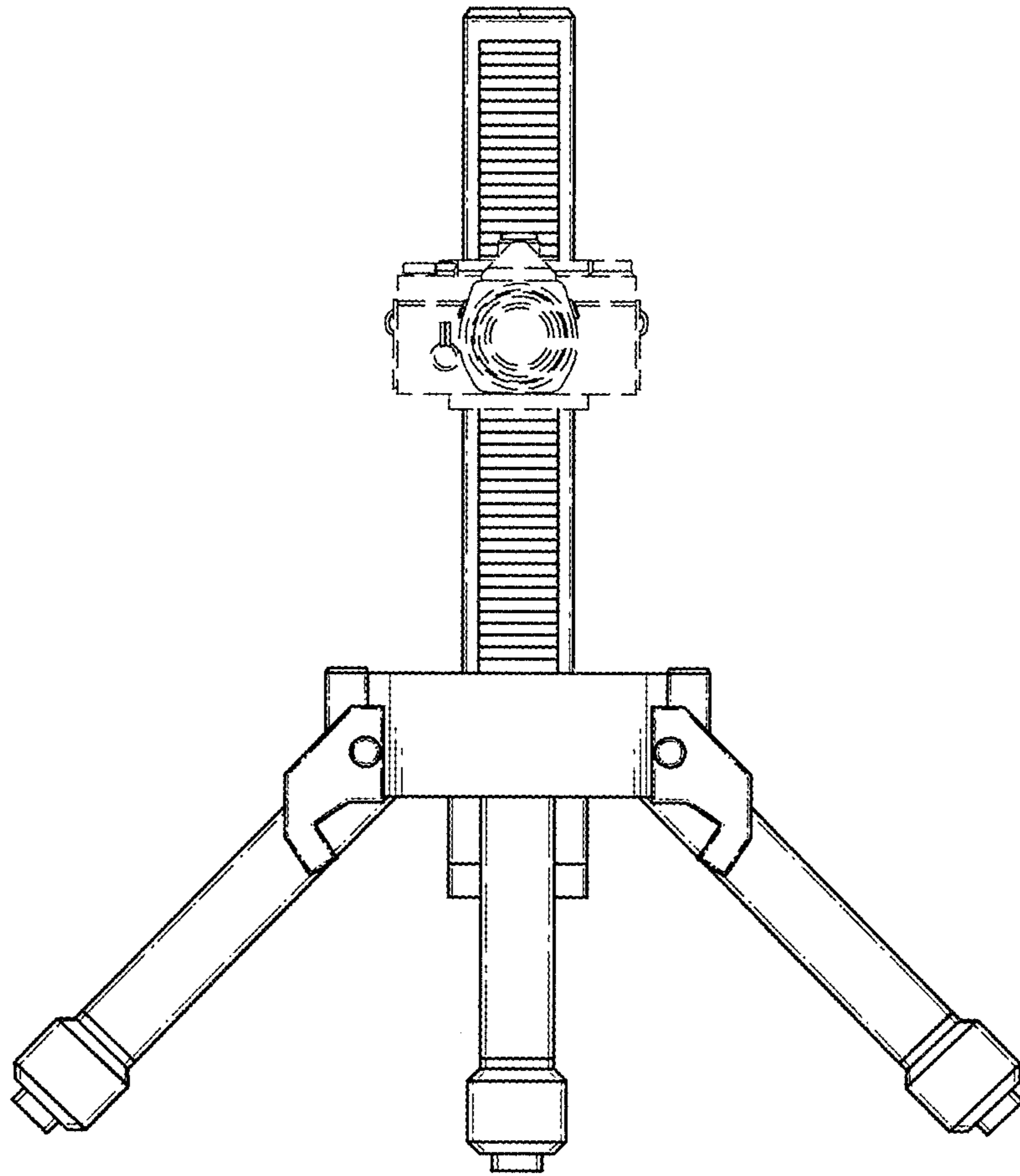


FIG. 2

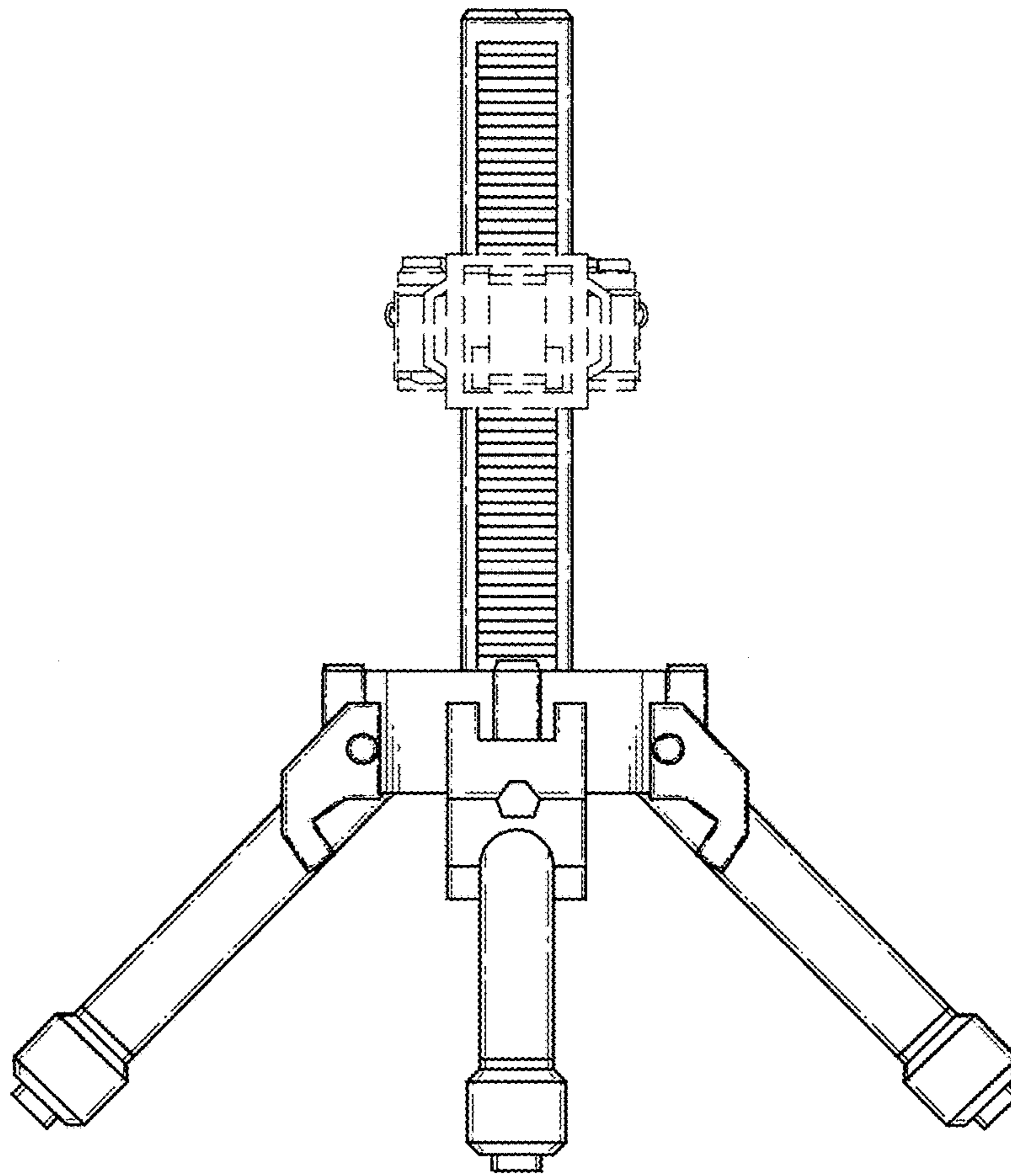


FIG. 3

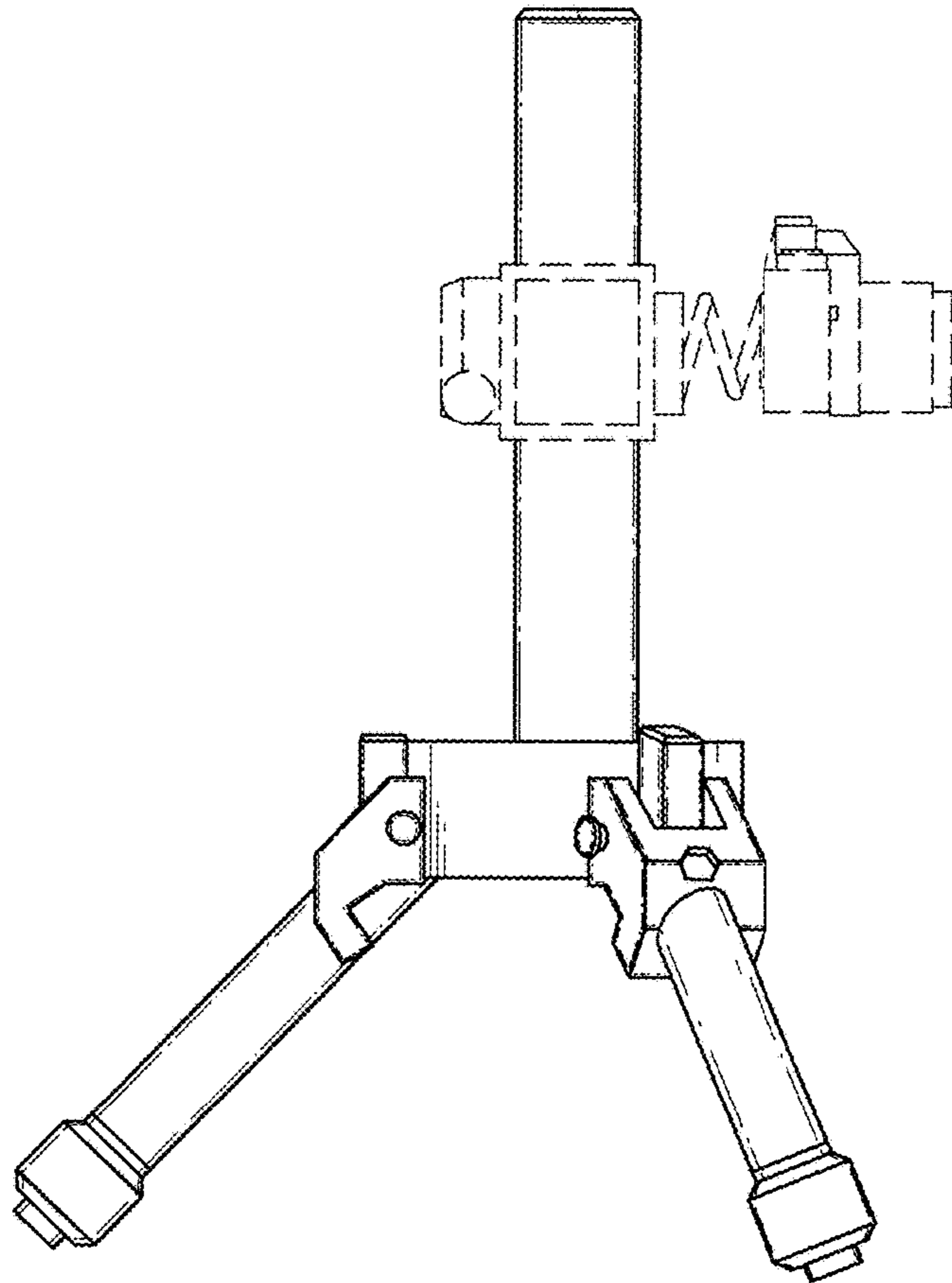


FIG. 4

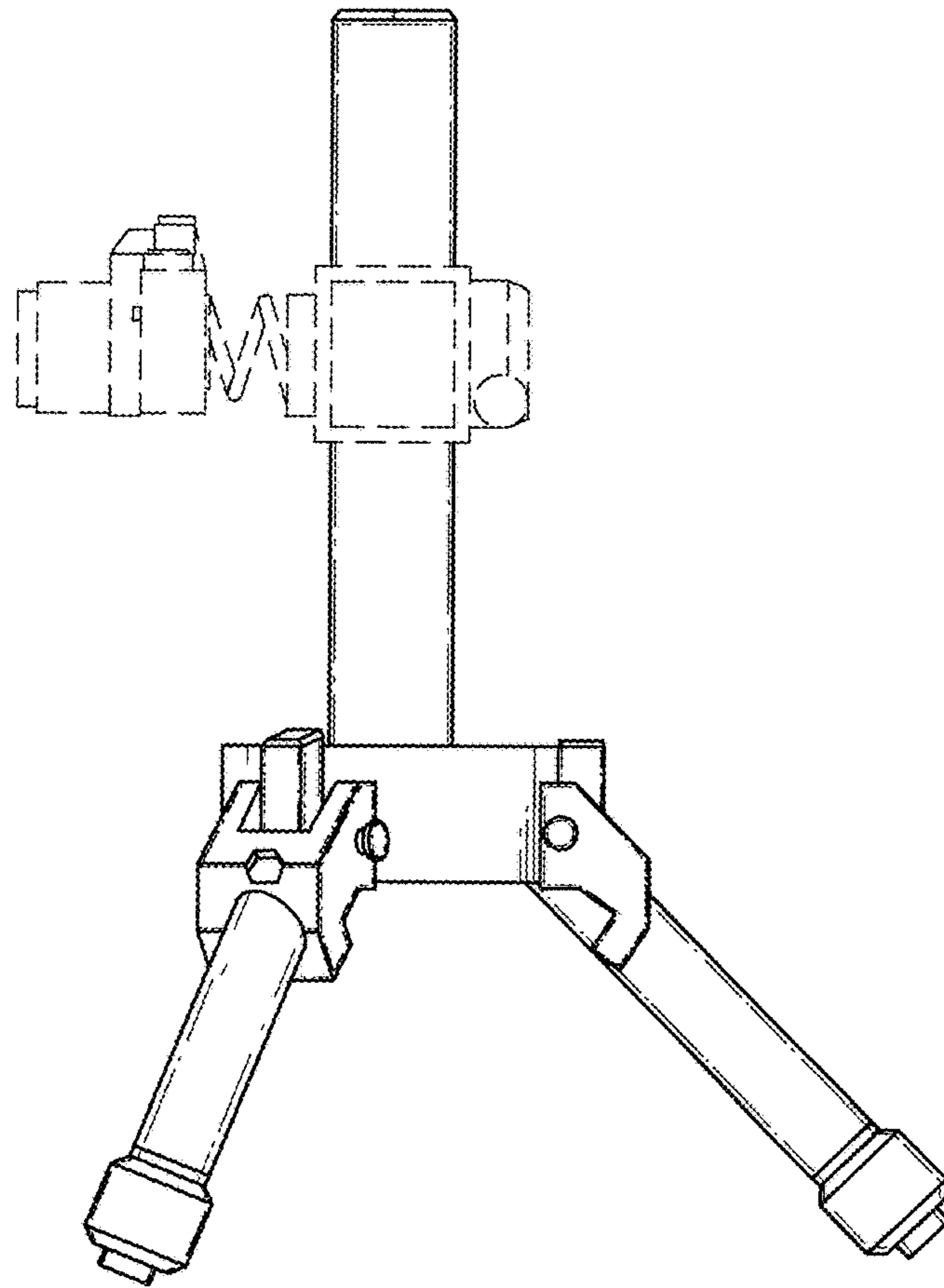


FIG. 5

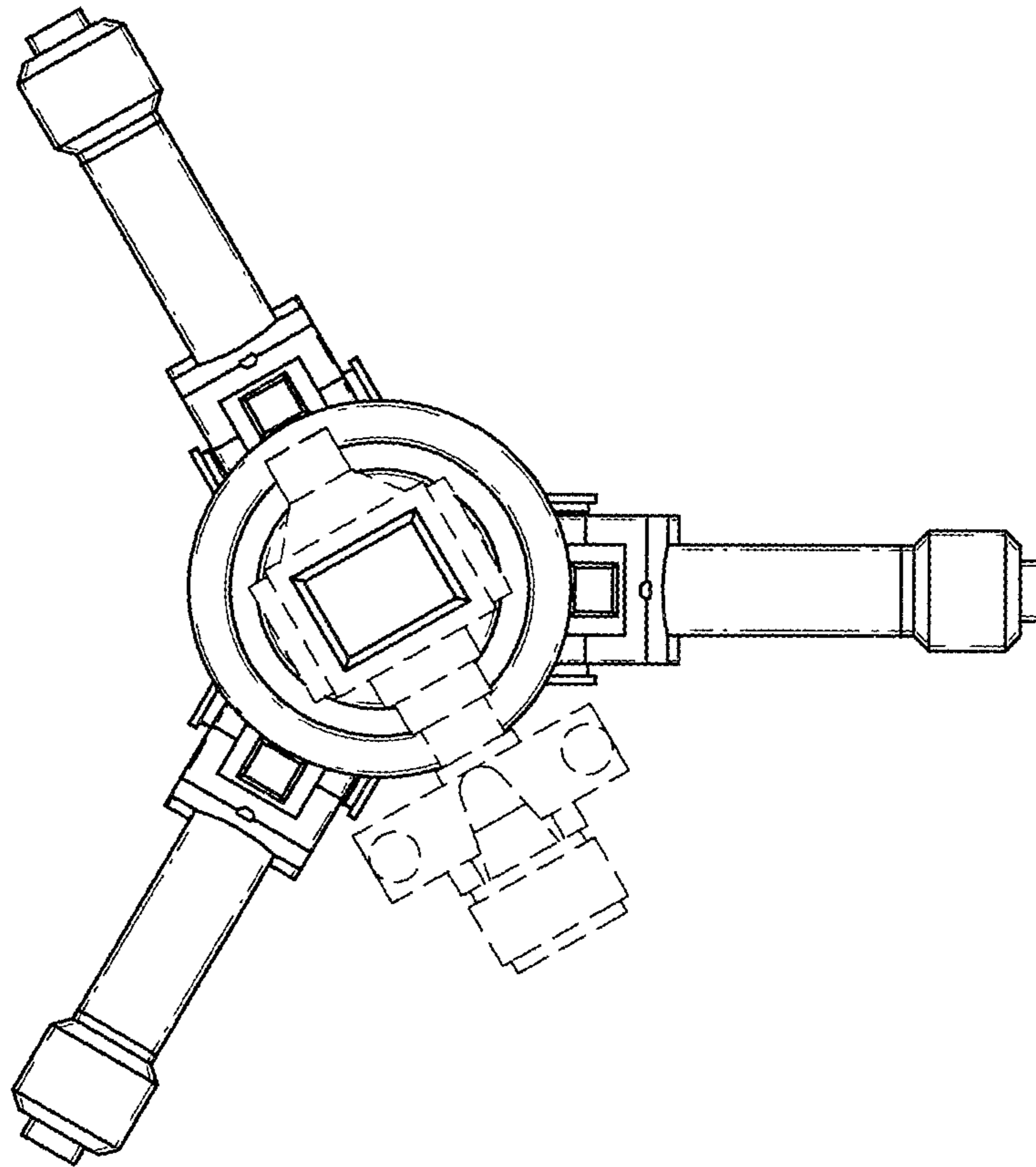


FIG. 6

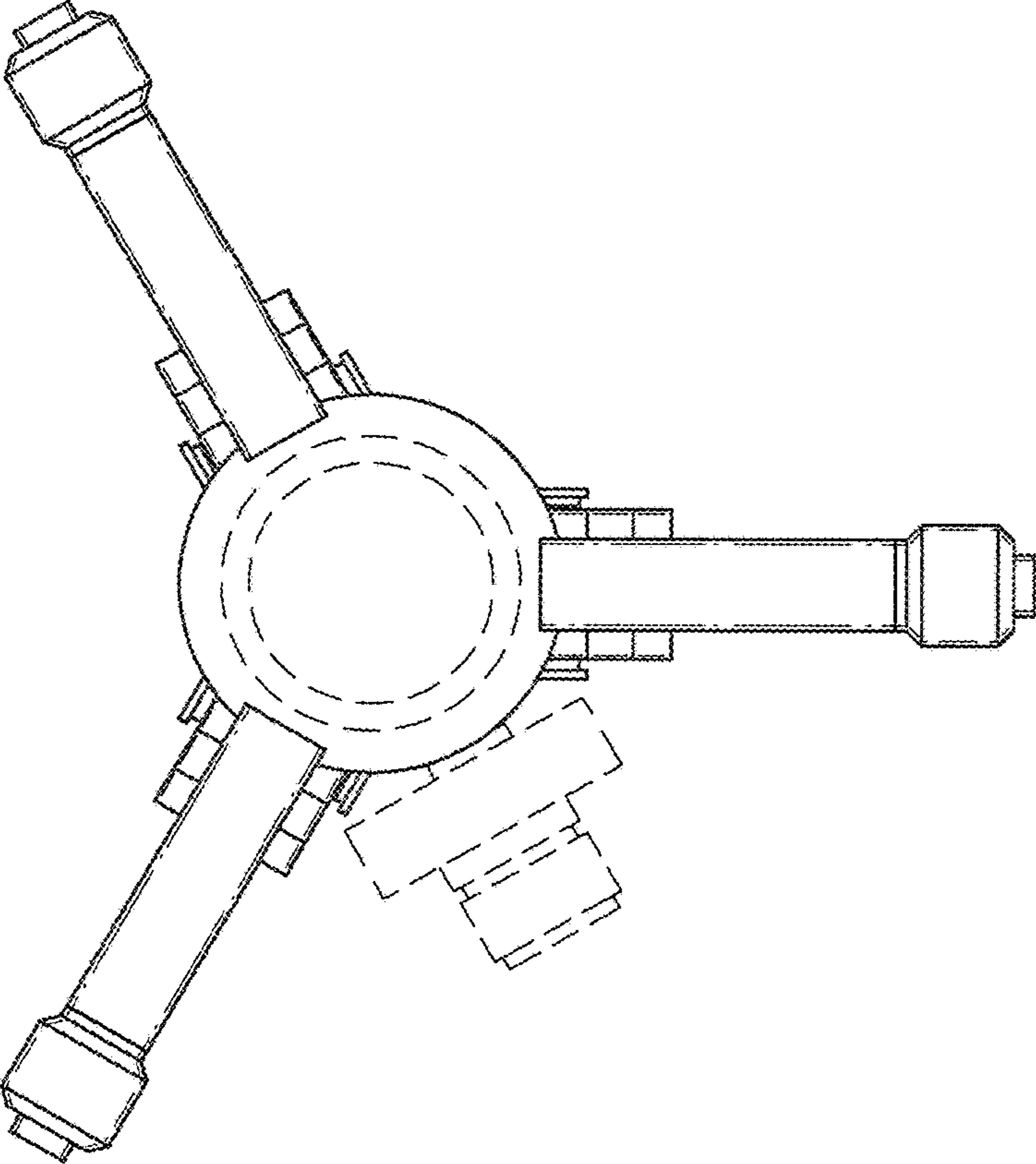


FIG. 7