



US00D852875S

(12) **United States Design Patent**
Chun

(10) **Patent No.:** **US D852,875 S**

(45) **Date of Patent:** **** Jul. 2, 2019**

(54) **TRIPOD AND HOLDER**

(71) Applicant: **James Chun**, Carlsabd, CA (US)

(72) Inventor: **James Chun**, Carlsabd, CA (US)

(**) Term: **15 Years**

(21) Appl. No.: **29/619,612**

(22) Filed: **Sep. 29, 2017**

(51) **LOC (11) Cl.** **16-05**

(52) **U.S. Cl.**
USPC **D16/244**

(58) **Field of Classification Search**
USPC D16/219, 237-250; D14/224, 229, 238,
D14/251, 253, 447, 451, 457
CPC G03B 17/56; G03B 17/561-17/568; A45F
5/00; A45F 5/10
See application file for complete search history.

(56) **References Cited**

U.S. PATENT DOCUMENTS

D445,123 S *	7/2001	Shen	D16/244
D505,442 S *	5/2005	Murray	D16/244
D508,938 S *	8/2005	Murray	D16/244
D664,182 S *	7/2012	Braunstein	D16/242
D706,333 S *	6/2014	Chun	D16/244
D714,775 S *	10/2014	Yoo	D14/253
D739,456 S *	9/2015	Poli	D16/244
D741,397 S *	10/2015	Minn	D16/244
D778,975 S *	2/2017	Minn	D16/242
D794,699 S *	8/2017	Bin-Nun	D16/244
2012/0269503 A1 *	10/2012	Hale	F16M 11/14 396/428
2013/0175413 A1 *	7/2013	Waugh	F16M 11/041 248/124.1

OTHER PUBLICATIONS

Ulanzi Mini Tripod With Holder Mount / Selfie Portable Camera
Tabletop Travel Tripod for iPhone 7 Plus Sony Samsung Mobile
Phone. [online] Retrieved Sep. 24, 2018 from URL: https://

thegadgetmole.com/products/ulanzi-mini-tripod-with-holder-mount-
selfie-portable-camera-tabletop-travel-tripod-for-iphone-7-plus-sony-
samsung.*

Square Jellyfish Smartphone Tripod Mount, Jelly Legs, Micro Ball
Head and Flashlight Remote. [online] Published Sep. 6, 2014.
Retrieved from URL: <http://artofmob.blogspot.com/2014/09/square-jellyfish-smartphone-tripod.html>.*

* cited by examiner

Primary Examiner — Vy N Koenig

(74) *Attorney, Agent, or Firm* — Dean A. Craine

(57) **CLAIM**

The ornamental design for a tripod and holder, as shown and
described.

DESCRIPTION

FIG. 1 is a top plan view of a tripod and holder showing my
new design, with the tripod in an expanded configuration
and an unclaimed electronic device being held in the holder.
FIG. 2 is a front elevational view of the invention shown in
FIG. 1.

FIG. 3 is a rear elevational view of the invention shown in
FIG. 1.

FIG. 4 is a bottom plan view of the invention shown in FIG.
1.

FIG. 5 is a right side elevational view of the invention shown
in FIG. 1.

FIG. 6 is a left side elevational view of the invention shown
in FIG. 1.

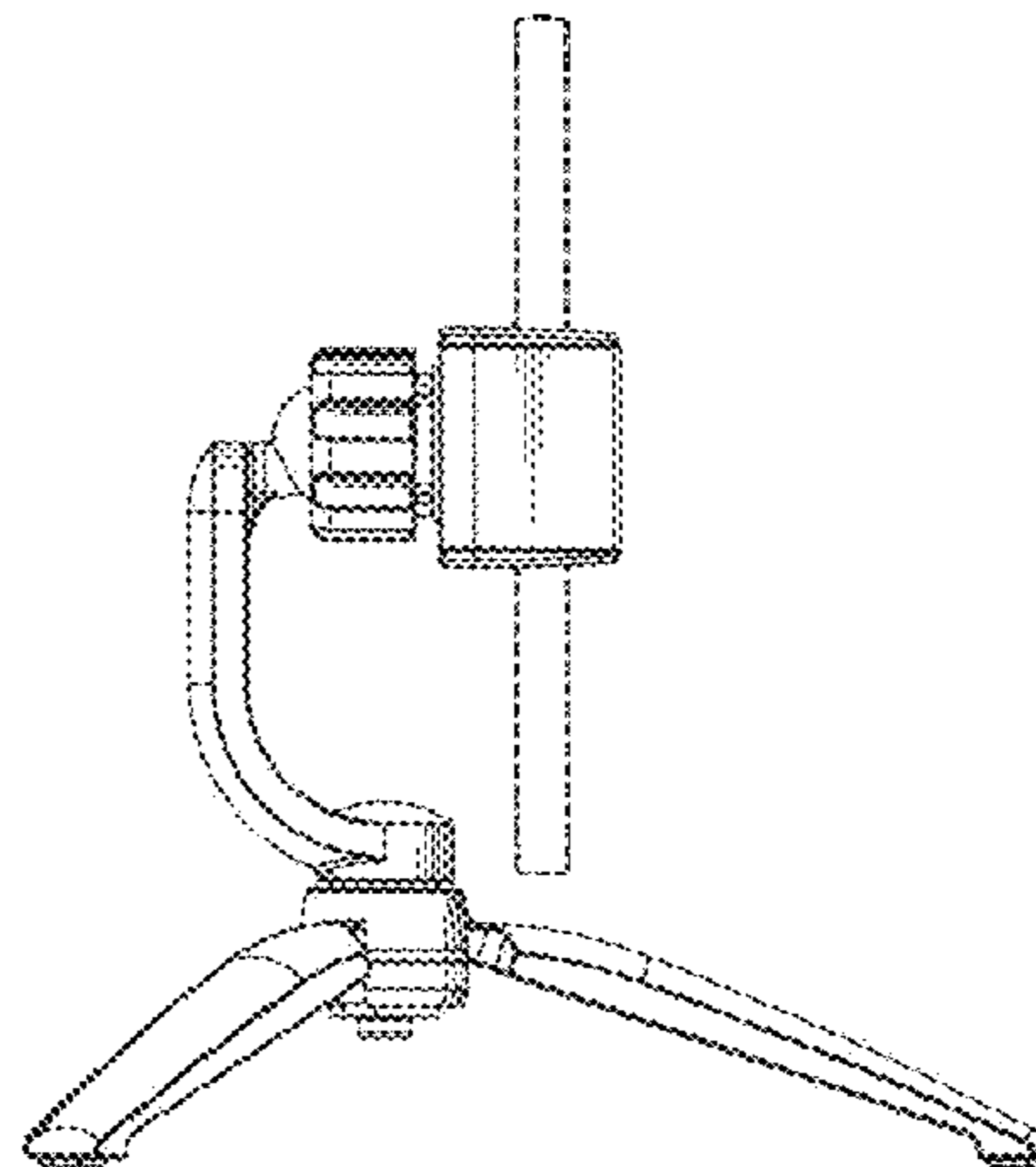
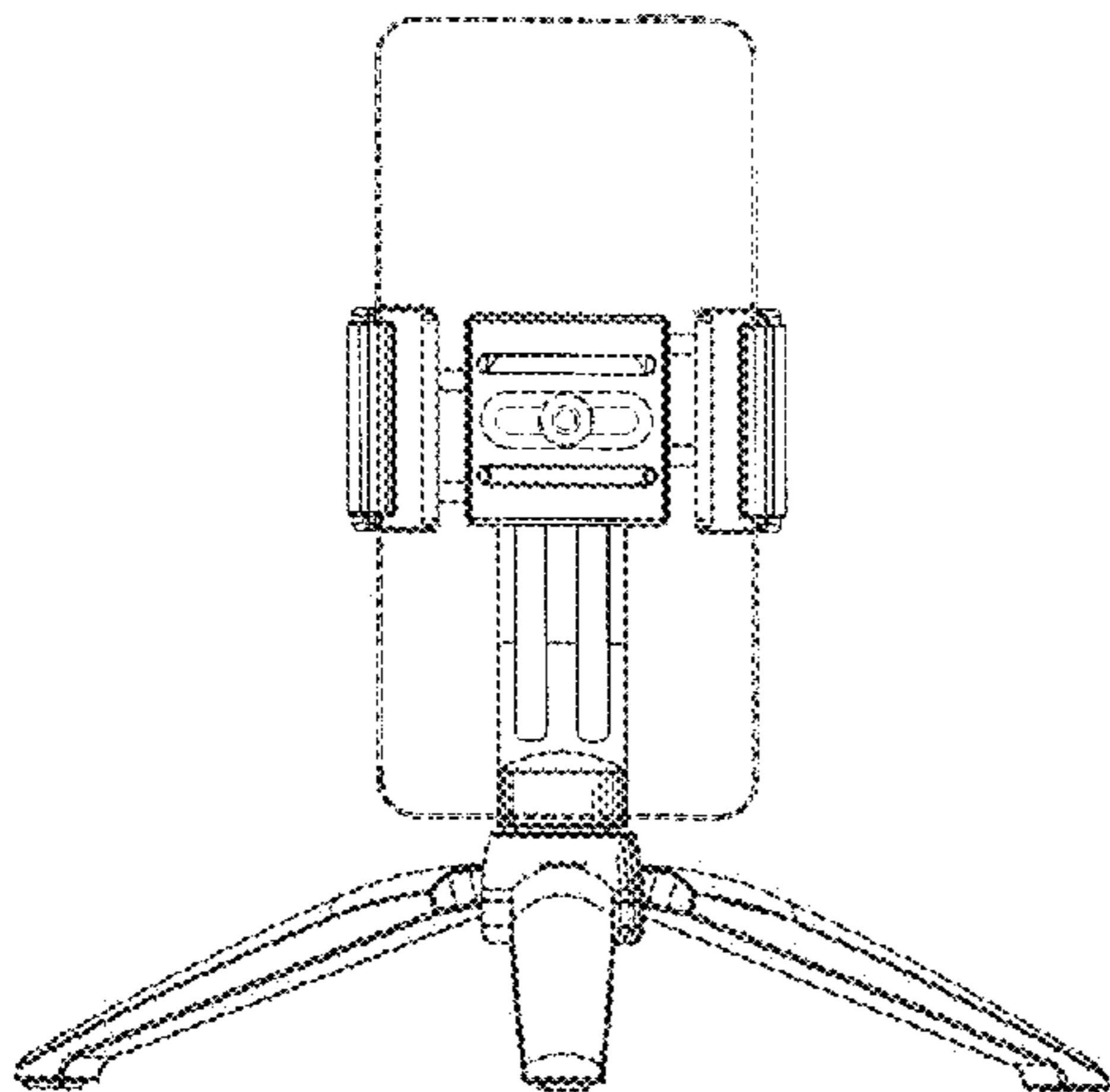
FIG. 7 is a front elevational view of the invention showing
the tripod in a collapsed configuration; and,

FIG. 8 is a left side elevational view of the invention shown
in FIG. 7.

The broken lines in the drawings depict environmental
subject matter, specifically an electronic device, and form no
part of the claimed design.

The additional broken lines in FIGS. 2 and 7 depict portions
of the tripod and holder that form no part of the claimed
design.

1 Claim, 4 Drawing Sheets



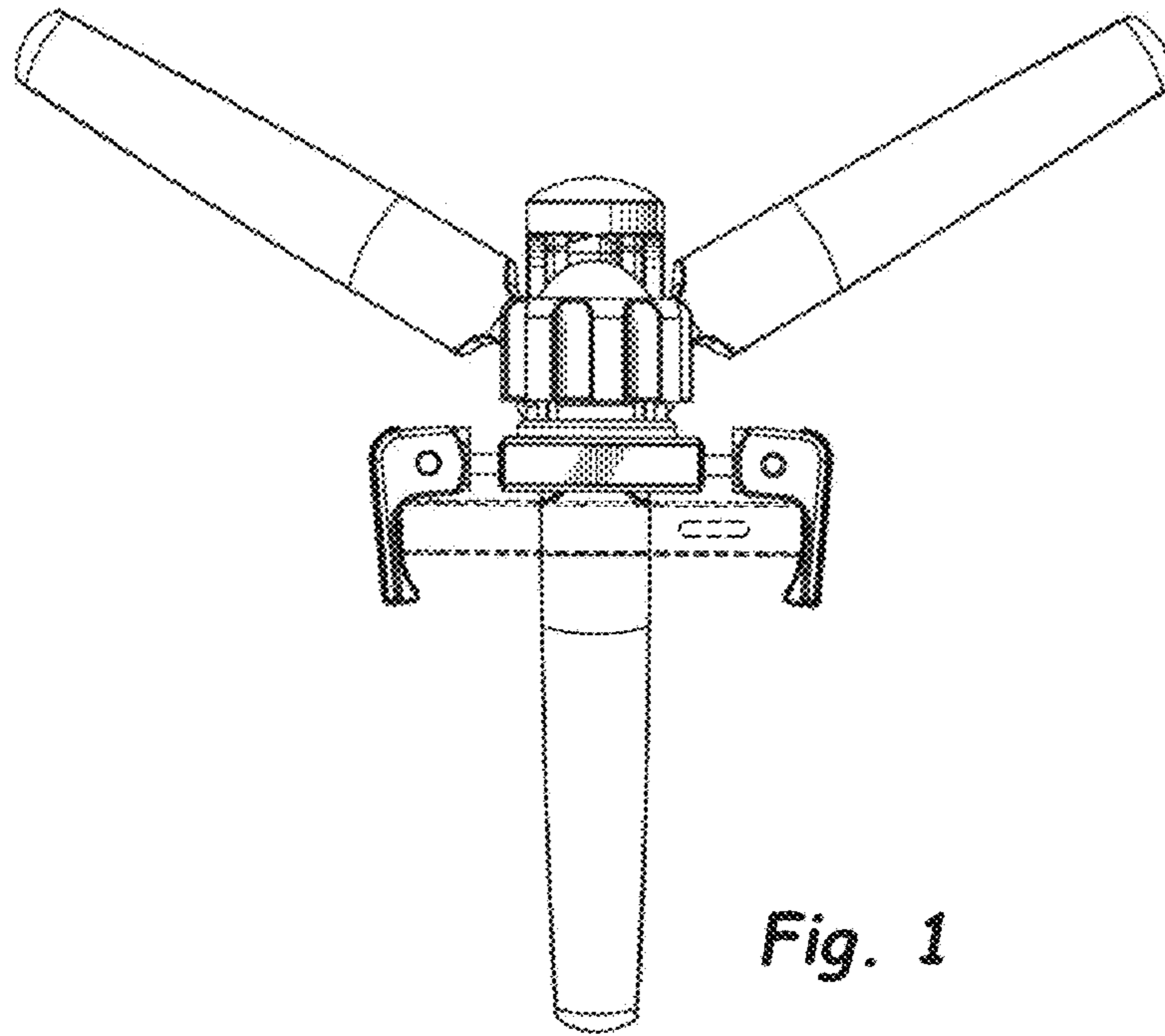


Fig. 1

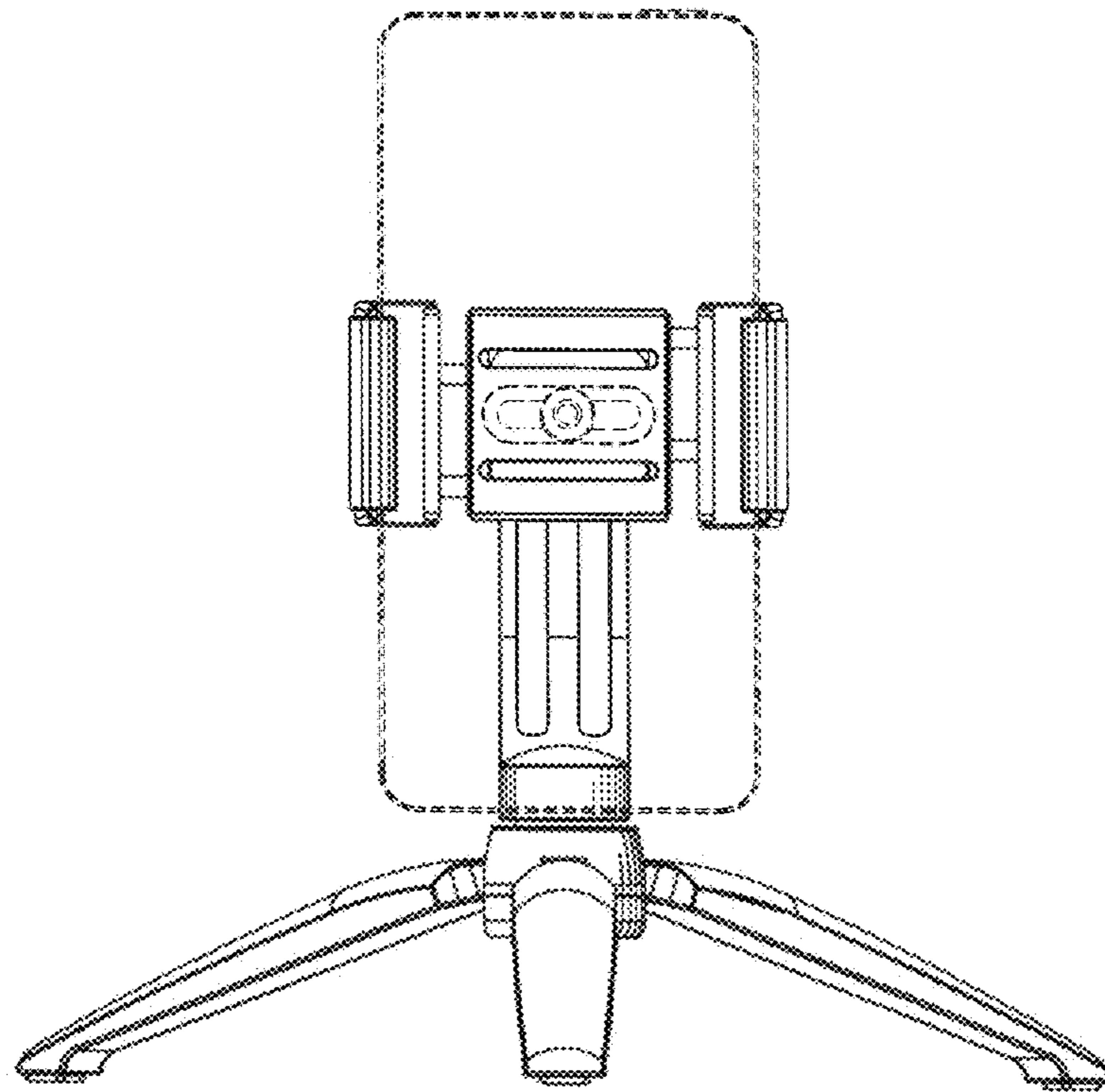


Fig. 2

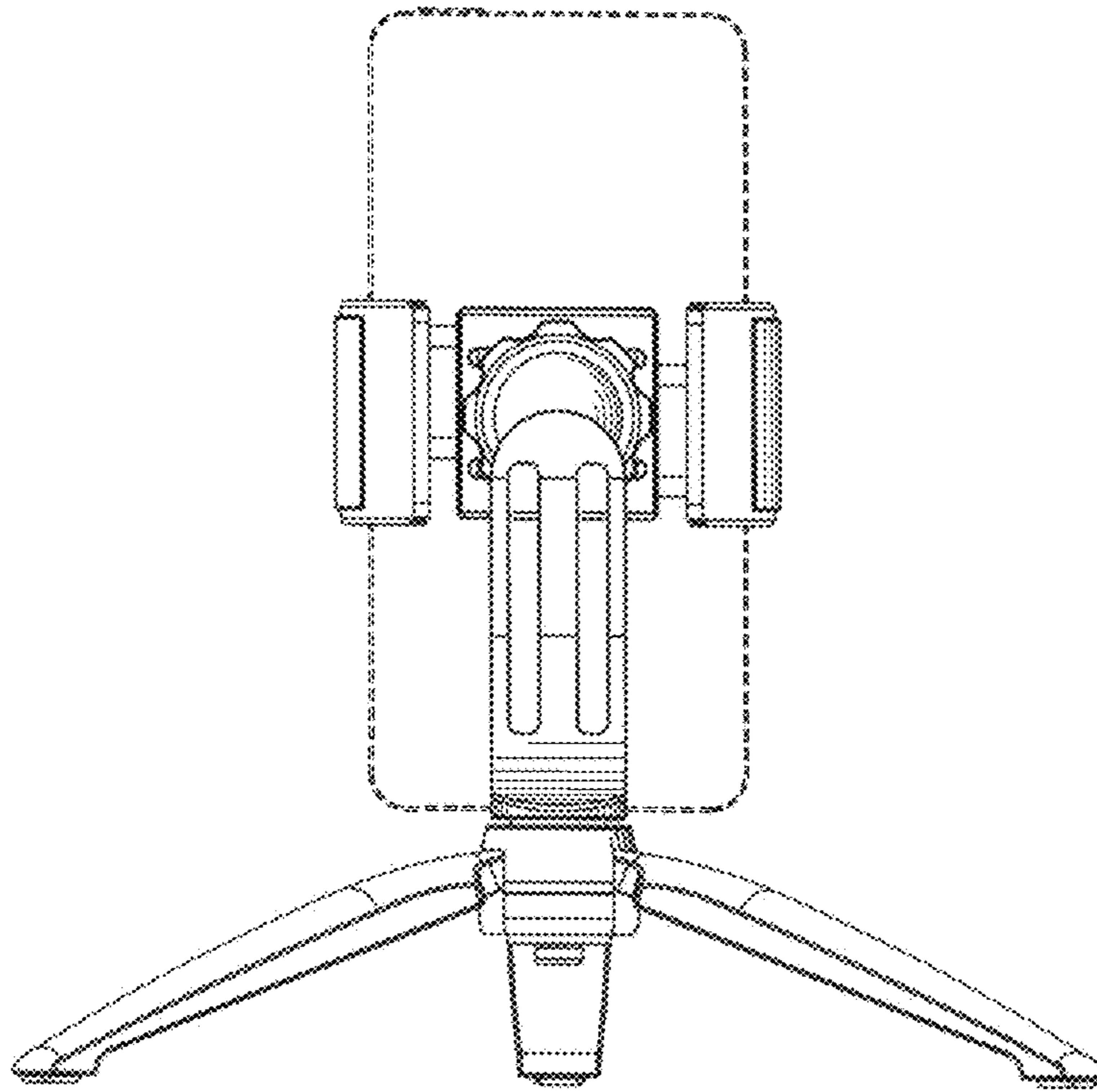


Fig. 3

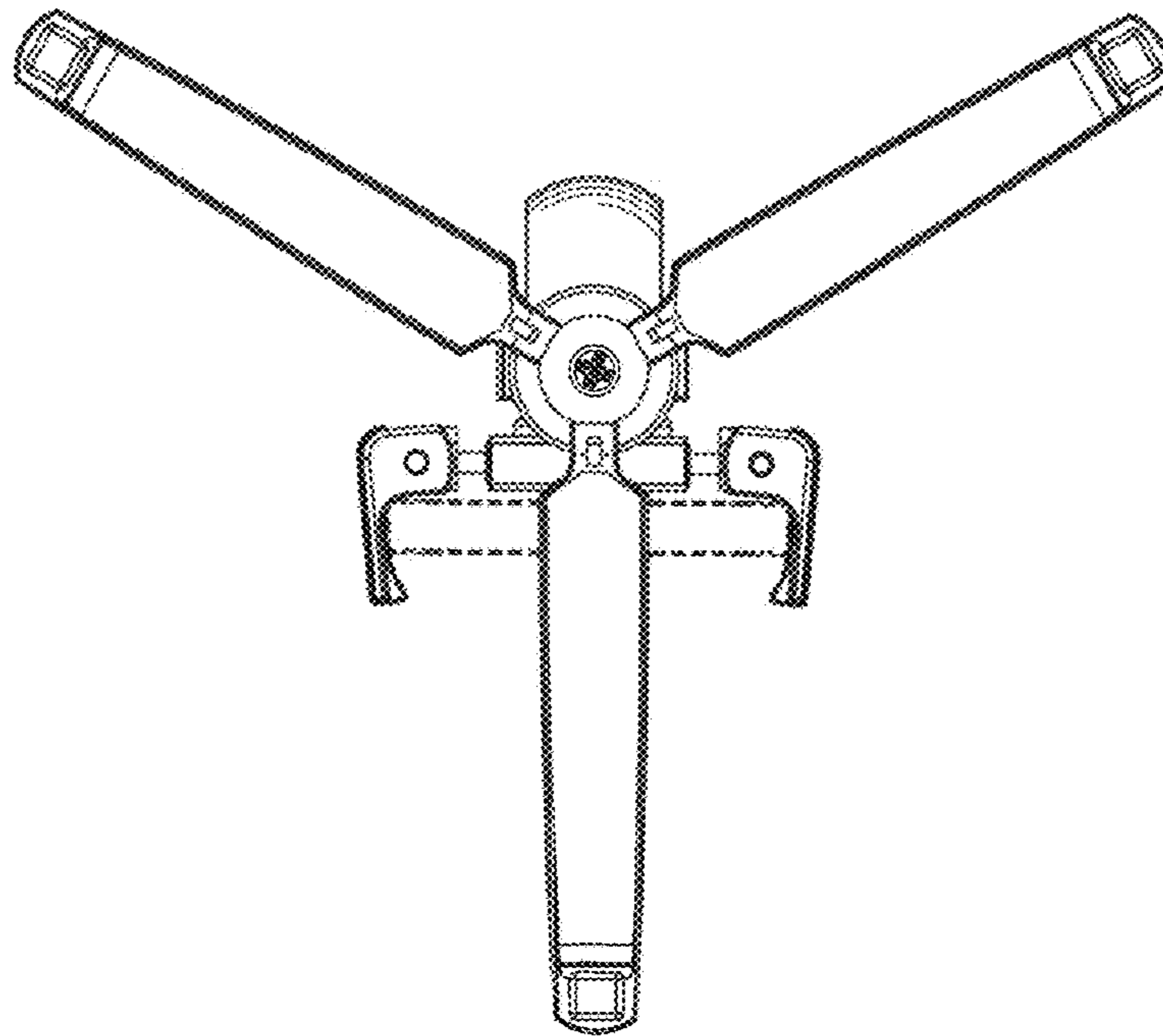
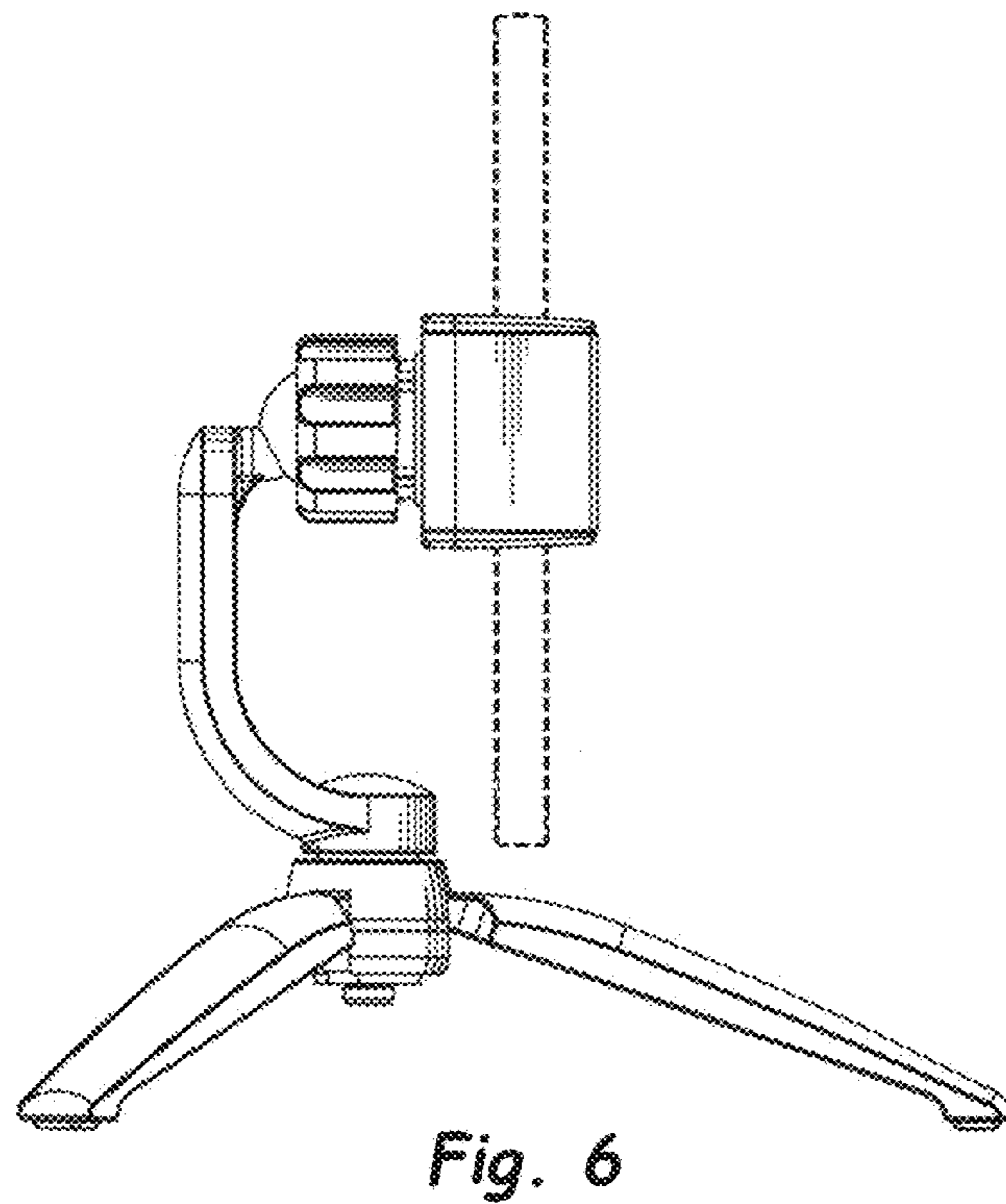
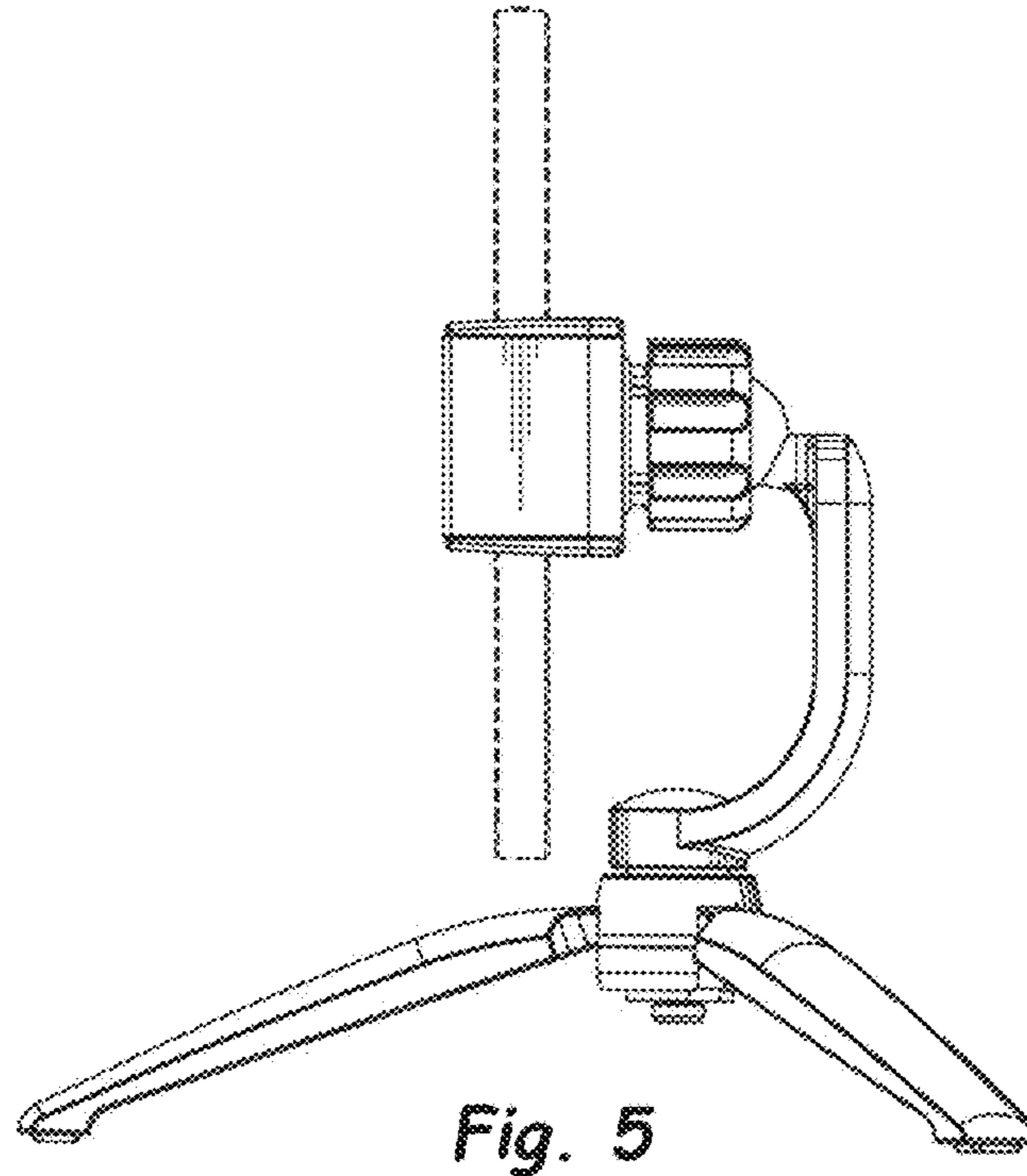


Fig. 4



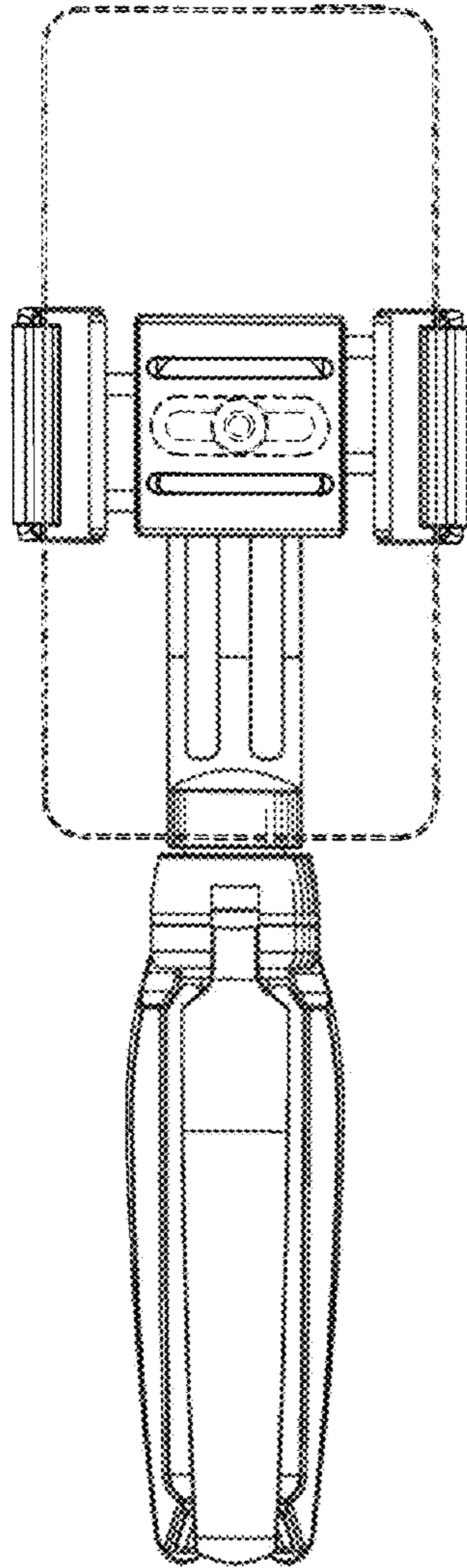


Fig. 7

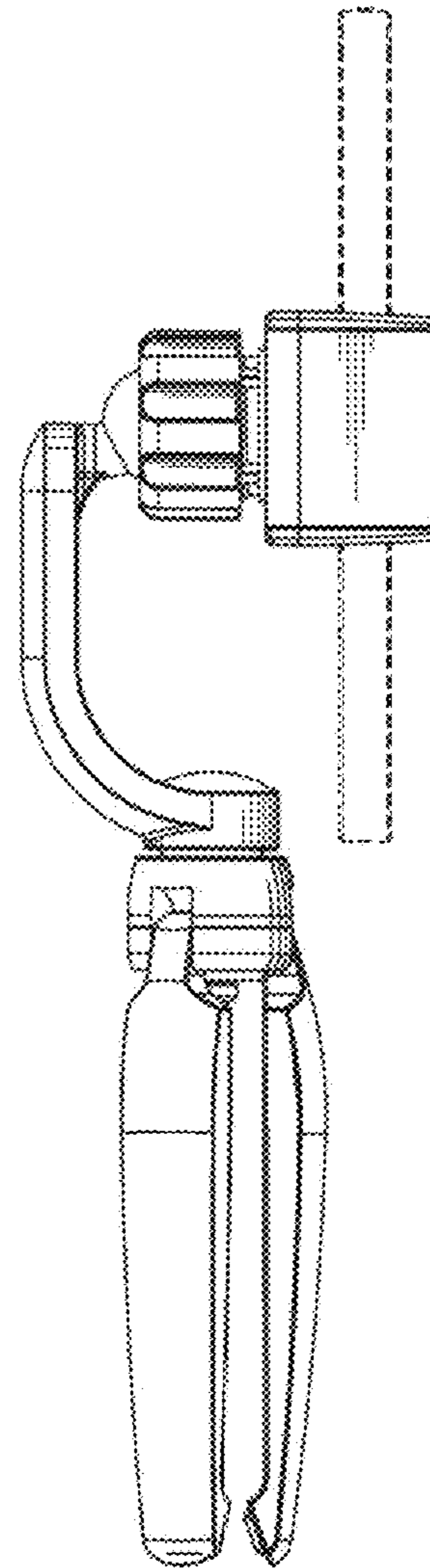


Fig. 8