



US00D852874S

(12) **United States Design Patent**  
**Bergman et al.**

(10) **Patent No.:** **US D852,874 S**

(45) **Date of Patent:** **\*\* Jul. 2, 2019**

(54) **TRIPOD CAMERA MOUNT**

(71) Applicant: **GoPro, Inc.**, San Mateo, CA (US)

(72) Inventors: **Senka Agic Bergman**, Montara, CA (US); **Nicholas Vitale**, Foster City, CA (US); **Erik Jorgensen**, San Francisco, CA (US)

(73) Assignee: **GoPro, Inc.**, San Mateo, CA (US)

(\*\*) Term: **15 Years**

(21) Appl. No.: **29/648,880**

(22) Filed: **May 24, 2018**

**Related U.S. Application Data**

(63) Continuation of application No. 29/596,331, filed on Mar. 7, 2017, now Pat. No. Des. 822,092.

(51) **LOC (11) Cl.** ..... **16-05**

(52) **U.S. Cl.**  
USPC ..... **D16/243**

(58) **Field of Classification Search**  
USPC ..... D16/219, 237-250; D14/224, 229, 238, D14/251, 253, 447, 451, 457; D24/224; D9/500-501; D7/523  
CPC . G03B 17/56; G03B 17/561-568; A45F 5/00; A45F 5/10  
See application file for complete search history.

(56) **References Cited**

**U.S. PATENT DOCUMENTS**

D415,805 S 10/1999 Wygonik  
D463,877 S \* 10/2002 Kung ..... D26/38  
D505,442 S 5/2005 Watters  
D508,938 S 8/2005 Watters  
D532,436 S 11/2006 Kruse  
D533,578 S 12/2006 Oka  
D552,660 S 10/2007 Lee

D620,491 S \* 7/2010 Wu ..... D14/411  
D632,720 S 2/2011 Barker  
D705,468 S 5/2014 Tompkin  
D714,775 S 10/2014 Ahn  
D718,365 S 11/2014 Hayashi  
(Continued)

**OTHER PUBLICATIONS**

Smatree Go Pro Accessories—Smapple Q3 Telescoping Go Pro Pole. [online] Retrieved Jan. 19, 2018 from URL:https:// www. alibaba.com/product-detail/Smatree-Go-pro-Accessories-SmaPole-Q3 60258252130.html (14 pages).

(Continued)

*Primary Examiner* — Vy N Koenig

(74) *Attorney, Agent, or Firm* — Young Basile Hanlon & MacFarlane, P.C.

(57) **CLAIM**

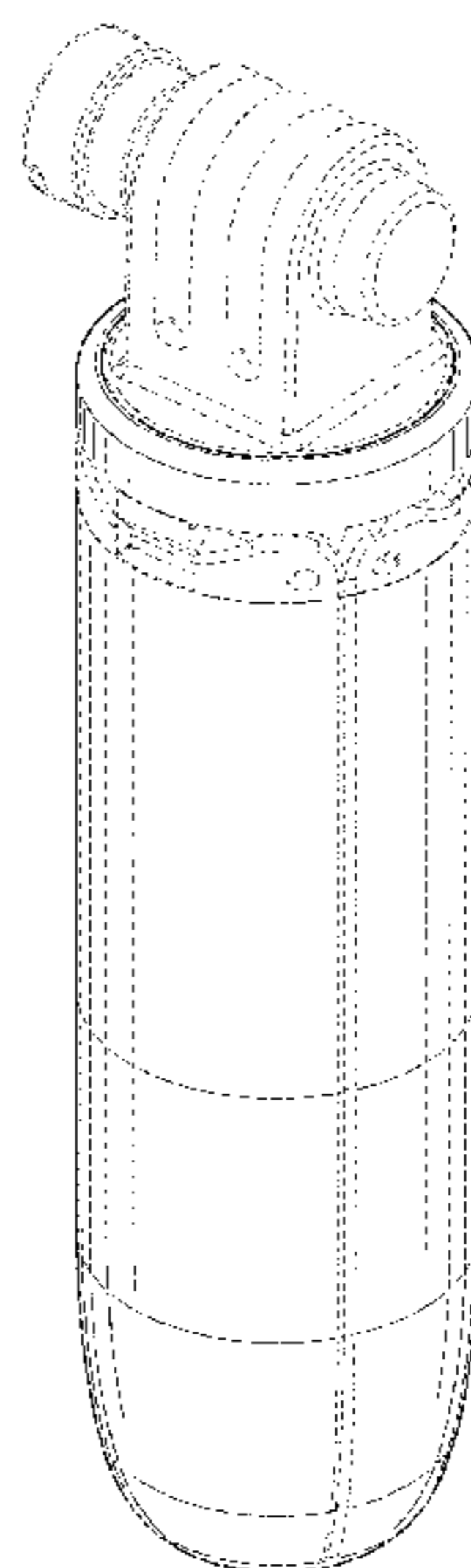
The ornamental design for a tripod camera mount, as shown and described.

**DESCRIPTION**

FIG. 1 is a front, top, and right perspective view of a tripod camera mount;  
FIG. 2 is a rear, bottom, and left perspective view thereof;  
FIG. 3 is a front view thereof;  
FIG. 4 is a rear view thereof;  
FIG. 5 is a left view thereof;  
FIG. 6 is a right view thereof;  
FIG. 7 is a top view thereof; and,  
FIG. 8 is a bottom view thereof.

The ornamental design which is claimed is shown in solid lines in the drawings. The broken lines in the drawings form no part of the claimed design. Broken lines formed by equal length dashes (i.e., dash-dash) show unclaimed subject matter. Broken lines formed by unequal length dashes (i.e., dash-dot) define bounds of the claimed design.

**1 Claim, 8 Drawing Sheets**



(56)

**References Cited**

U.S. PATENT DOCUMENTS

D739,456 S 9/2015 Poli  
9,298,066 B1 \* 3/2016 Fan ..... G03B 17/561  
D800,206 S 10/2017 Ham  
9,810,974 B2 \* 11/2017 Chi ..... G03B 17/561  
D821,483 S \* 6/2018 Vitale ..... D16/244  
D822,092 S \* 7/2018 Bergman ..... D16/243

OTHER PUBLICATIONS

Luxebell Selfie Stick Telescoping with Tripod Stand Mount for Gopro Hero4 3+3. [online] Published on Nov. 8, 2016. Retrieved Jan. 19, 2018 from URL:<http://www.luxebell.net/home/27-luxebell-selfie-stick-telescoping-with-tripod-stand-mount-for-gopro-hero4-3-3-hero-lcd-session-cell-phones.html> (3 pages).

\* cited by examiner

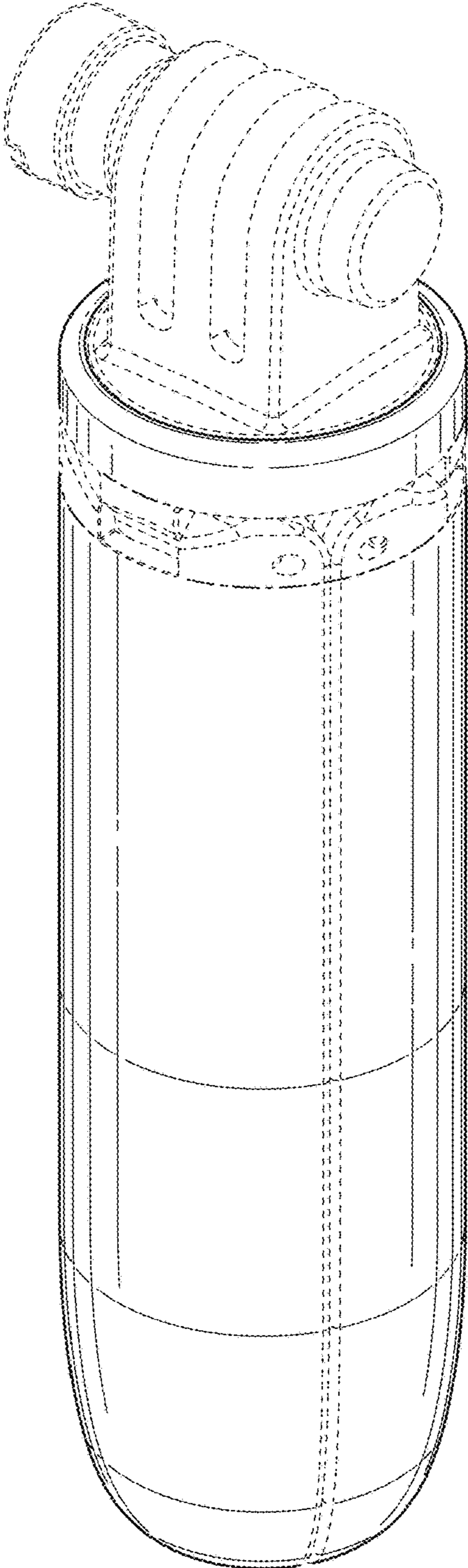


FIG. 1

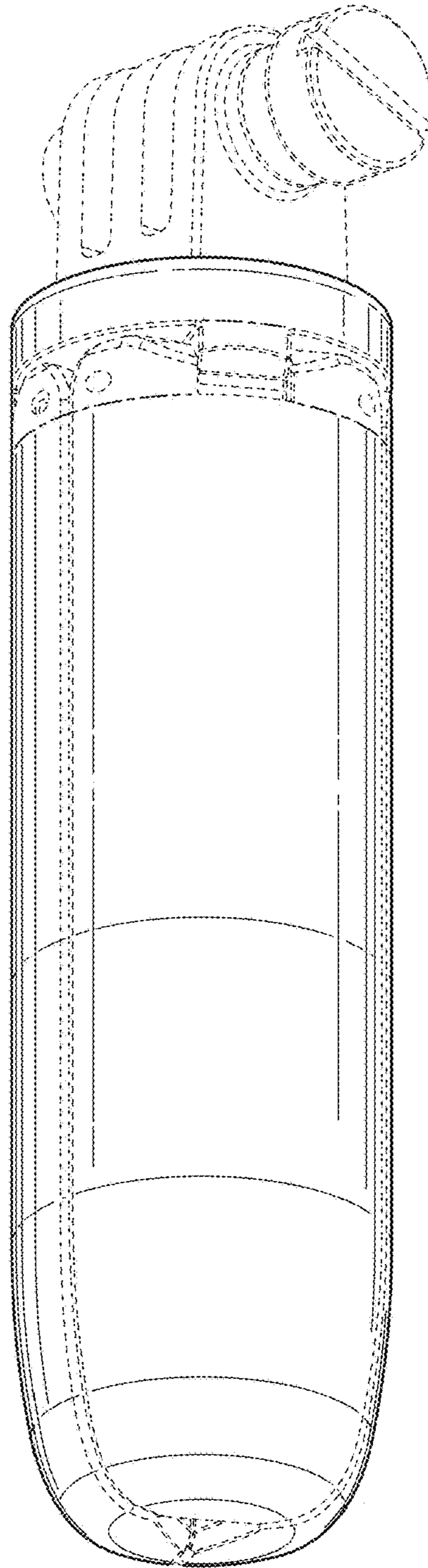


FIG. 2

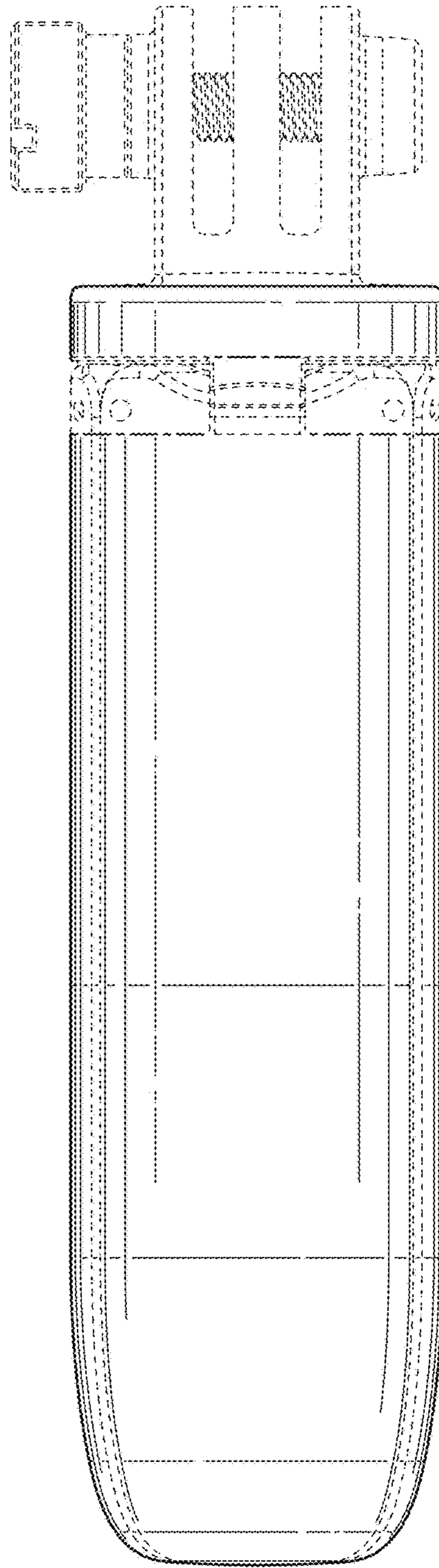


FIG. 3

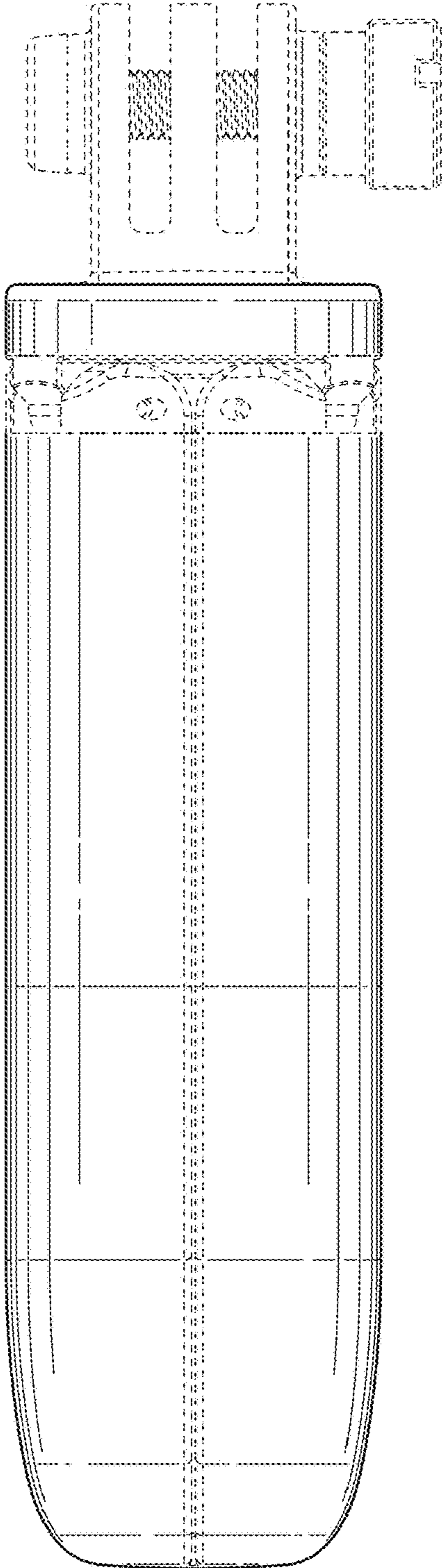


FIG. 4



FIG. 5

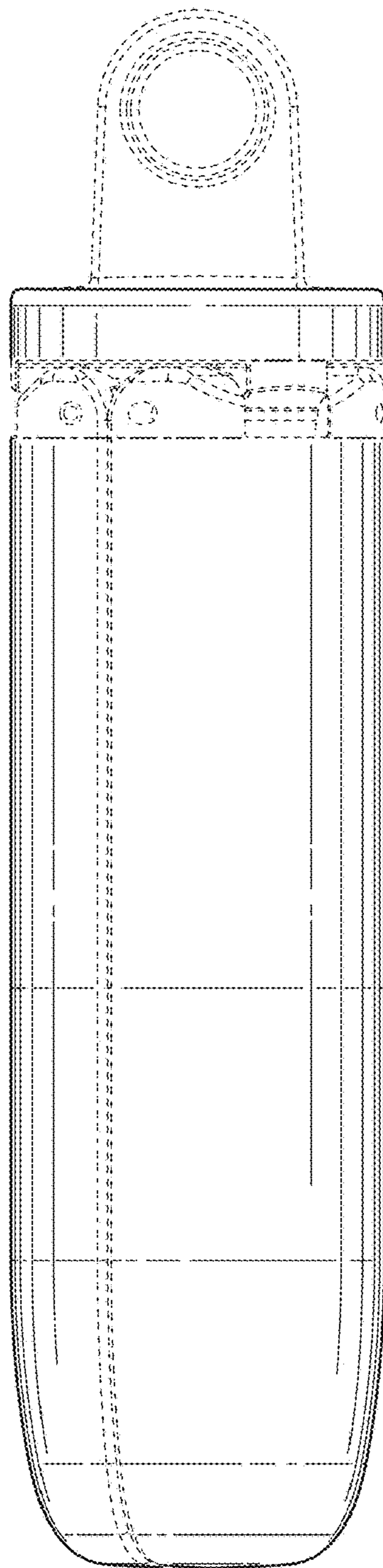


FIG. 6



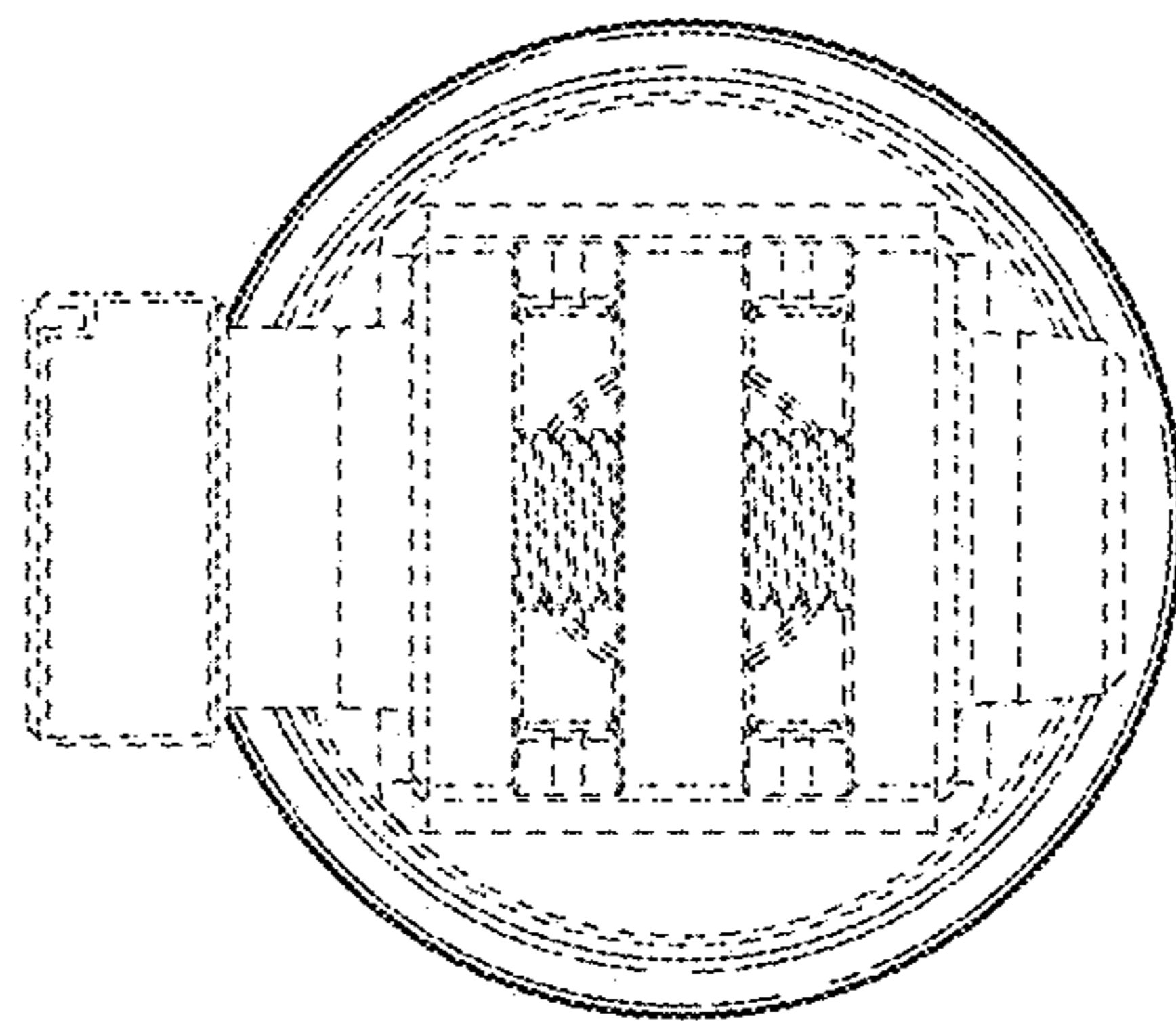


FIG. 7

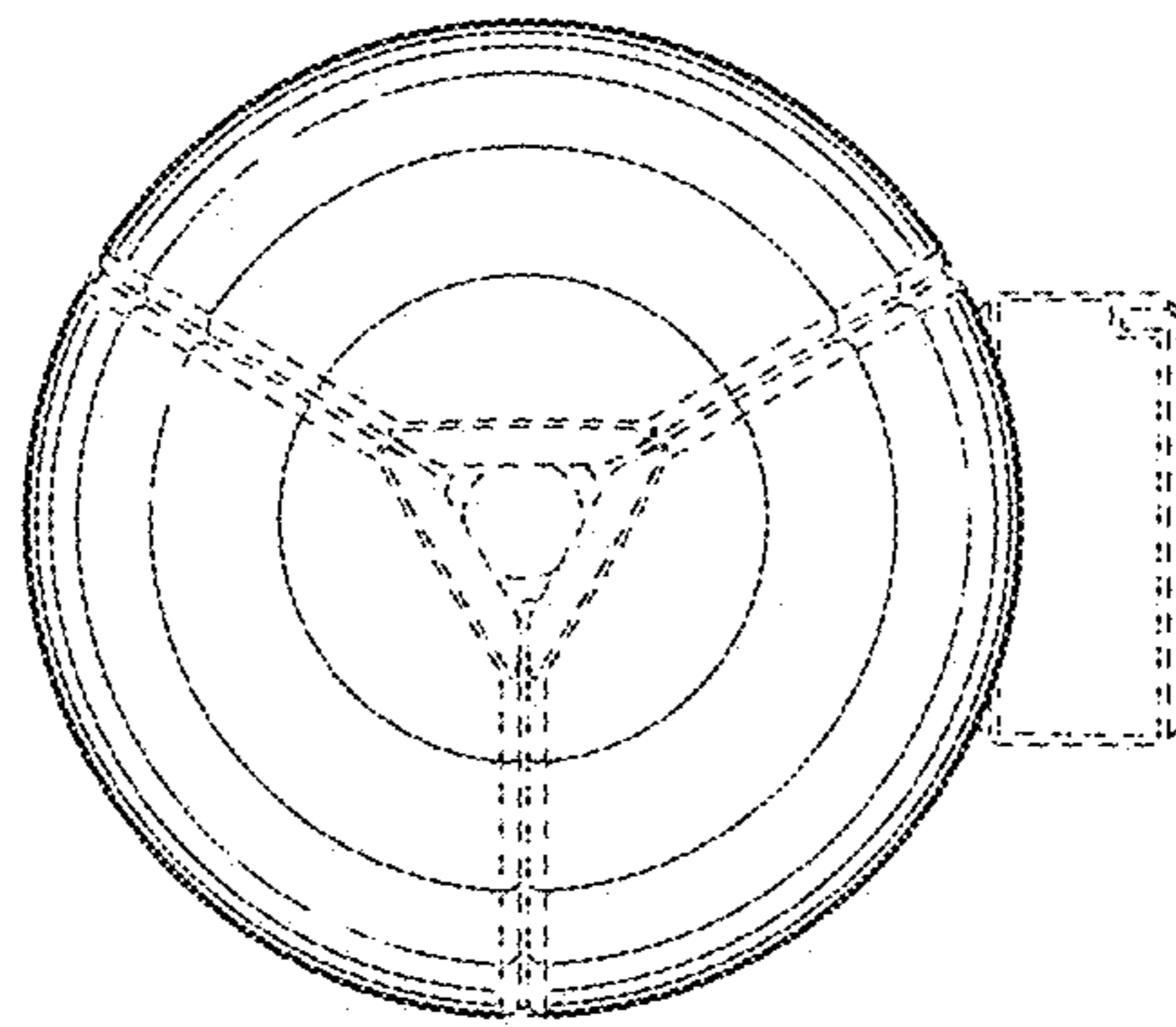


FIG. 8