



US00D852873S

(12) **United States Design Patent**
Fang

(10) **Patent No.:** **US D852,873 S**
(45) **Date of Patent:** **** Jul. 2, 2019**

(54) **SELFIE STICK**

(71) Applicant: **Guixiong Fang**, Guangdong (CN)

(72) Inventor: **Guixiong Fang**, Guangdong (CN)

(**) Term: **15 Years**

(21) Appl. No.: **29/633,078**

(22) Filed: **Jan. 12, 2018**

(30) **Foreign Application Priority Data**

Nov. 21, 2017 (CN) 2017 3 0576156

(51) **LOC (11) Cl.** **16-05**

(52) **U.S. Cl.**
USPC **D16/243; D16/244; D14/253**

(58) **Field of Classification Search**
USPC D16/219, 237-250; D14/224, 229, 238,
D14/251, 253, 447, 451, 457; D8/354,
D8/355, 363, 373, 382-383, 394-396
(Continued)

(56) **References Cited**

U.S. PATENT DOCUMENTS

7,207,118 B2 * 4/2007 Watters A45C 13/30
33/290
D553,848 S * 10/2007 Barker D3/9
(Continued)

OTHER PUBLICATIONS

Selfie Stick, Perfectday Foldable Extendable Bluetooth Selfie Stick .[online] Published on May 26, 2015. Retrieved Nov. 26, 2018 from URL: <https://www.amazon.com/Perfectday-Foldable-Extendable-Bluetooth-Shutter/dp/B00ZYYDY5A>.*

Primary Examiner — Vy N Koenig

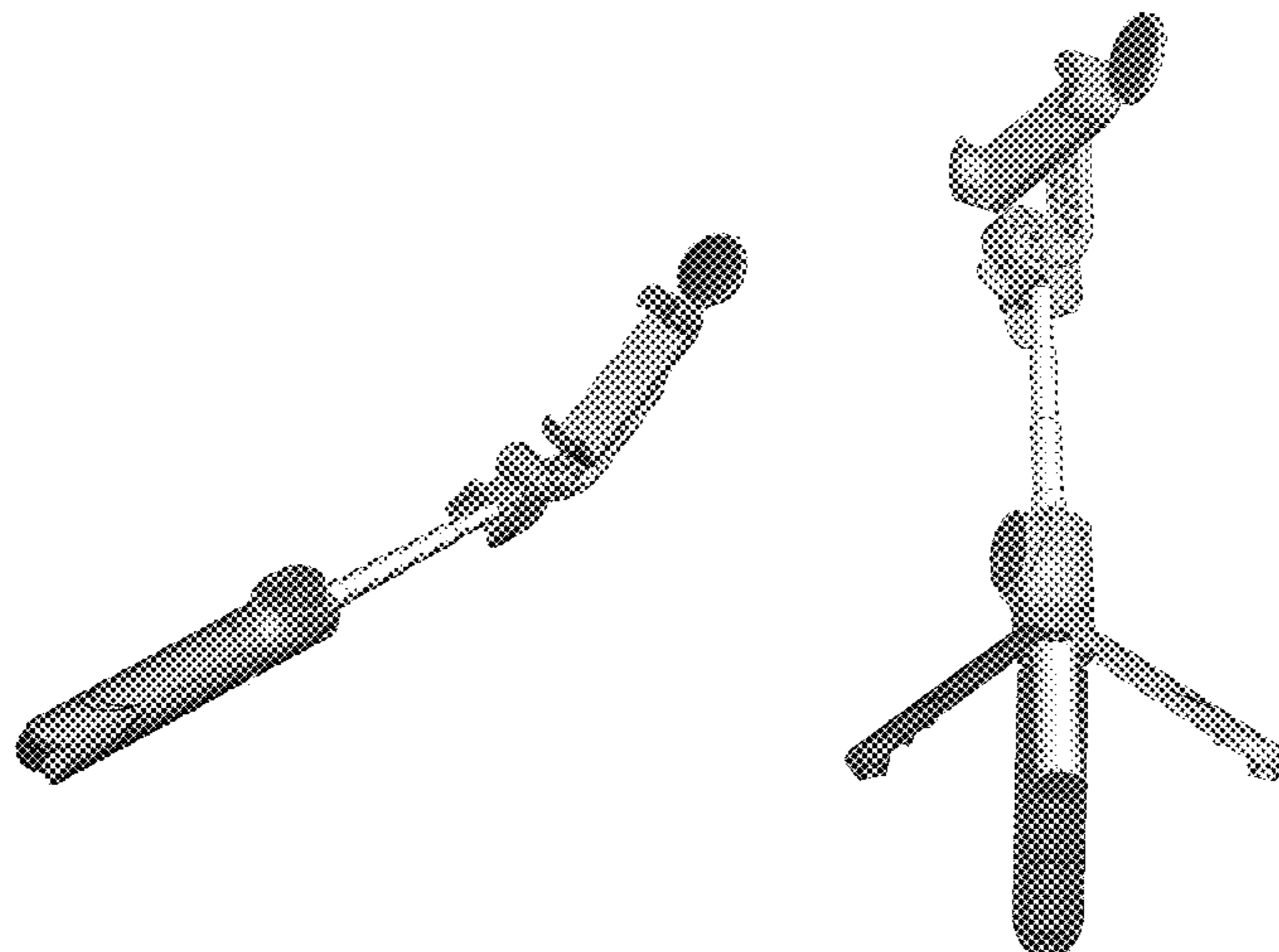
(57) **CLAIM**

The ornamental design for a selfie stick, as shown and described.

DESCRIPTION

FIG. 1 is a front elevational view of a selfie stick showing my new design in a handheld status;
FIG. 2 is a rear elevational view thereof;
FIG. 3 is a left side view thereof;
FIG. 4 is a right side view thereof;
FIG. 5 is a top plan view thereof;
FIG. 6 is a bottom plan view thereof;
FIG. 7 is a rear, left and top perspective view thereof;
FIG. 8 is a front, right and bottom perspective view thereof;
FIG. 9 is a rear, right and top perspective view thereof;
FIG. 10 is a rear, left and top perspective view thereof;
FIG. 11 is a front elevational view of the selfie stick in a folded status;
FIG. 12 is a rear elevational view of FIG. 11;
FIG. 13 is a left side view of FIG. 11;
FIG. 14 is a right side view of FIG. 11;
FIG. 15 is a top plan view of FIG. 11;
FIG. 16 is a bottom plan view of FIG. 11;
FIG. 17 is a front, left and bottom perspective view of FIG. 11;
FIG. 18 is a front, right and bottom perspective view of FIG. 11;
FIG. 19 is a rear, left and top perspective view of FIG. 11;
FIG. 20 is a front, right and top perspective view of FIG. 11;
FIG. 21 is a front elevational view of the selfie stick in a standing status;
FIG. 22 is a rear elevational view of FIG. 21;
FIG. 23 is a left side view of FIG. 21;
FIG. 24 is a right side view of FIG. 21;
FIG. 25 is a top plan view of FIG. 21;
FIG. 26 is a bottom plan view of FIG. 21;
FIG. 27 is a front, left and top perspective view of FIG. 21;
FIG. 28 is a front, right and bottom perspective view of FIG. 21;
FIG. 29 is a rear, left and bottom perspective view of FIG. 21; and,
FIG. 30 is a rear, right and bottom perspective view of FIG. 21.

1 Claim, 30 Drawing Sheets



(58) **Field of Classification Search**

CPC F16M 11/06-10; F16M 11/14; G02B
7/00-002; G03B 17/56; G03B
17/561-568; H04N 5/2253-2254; A45F
2200/0508-0533; A45F 5/00; A45F 5/10
See application file for complete search history.

(56) **References Cited**

U.S. PATENT DOCUMENTS

7,344,320 B2 * 3/2008 Barker F16M 11/14
135/66
7,684,694 B2 * 3/2010 Fromm F16M 11/14
396/376
8,028,963 B2 * 10/2011 Speggiorin F16M 11/16
248/177.1
D673,204 S * 12/2012 Bae D16/244
D678,387 S * 3/2013 Stump D16/244
D715,791 S * 10/2014 Yu D14/253
D766,230 S * 9/2016 Shepard D14/253
D782,461 S * 3/2017 Pinto D14/253
D799,447 S * 10/2017 Zheng D14/217
D800,206 S * 10/2017 Moon D16/244
9,851,625 B1 * 12/2017 Fernandez G03B 17/561
D821,483 S * 6/2018 Vitale D16/244
D822,092 S * 7/2018 Bergman D16/243
D822,754 S * 7/2018 Fang D16/243
2016/0290556 A1 * 10/2016 Choi F16M 13/022
2017/0037995 A1 * 2/2017 Pan F16M 11/18
2018/0066792 A1 * 3/2018 Chen F16M 11/04

* cited by examiner

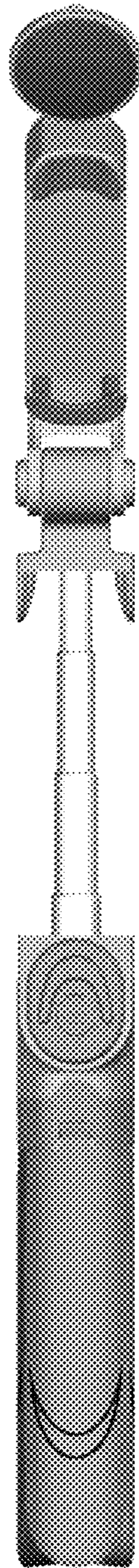


Fig. 1

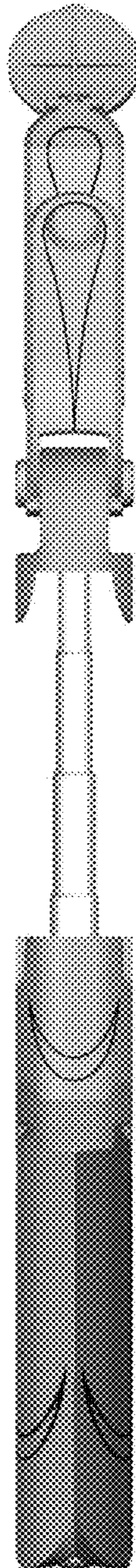


Fig. 2

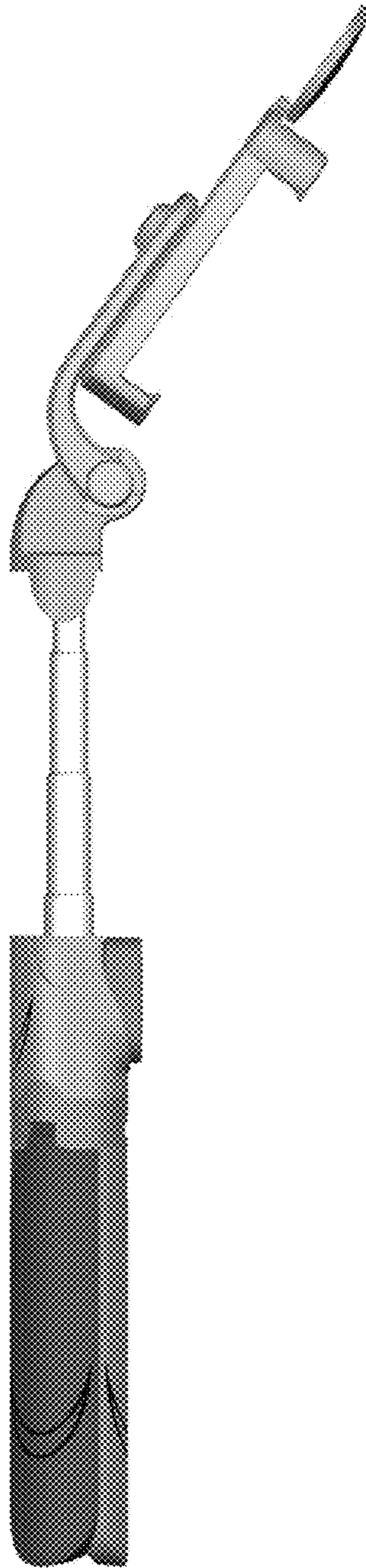


Fig. 3

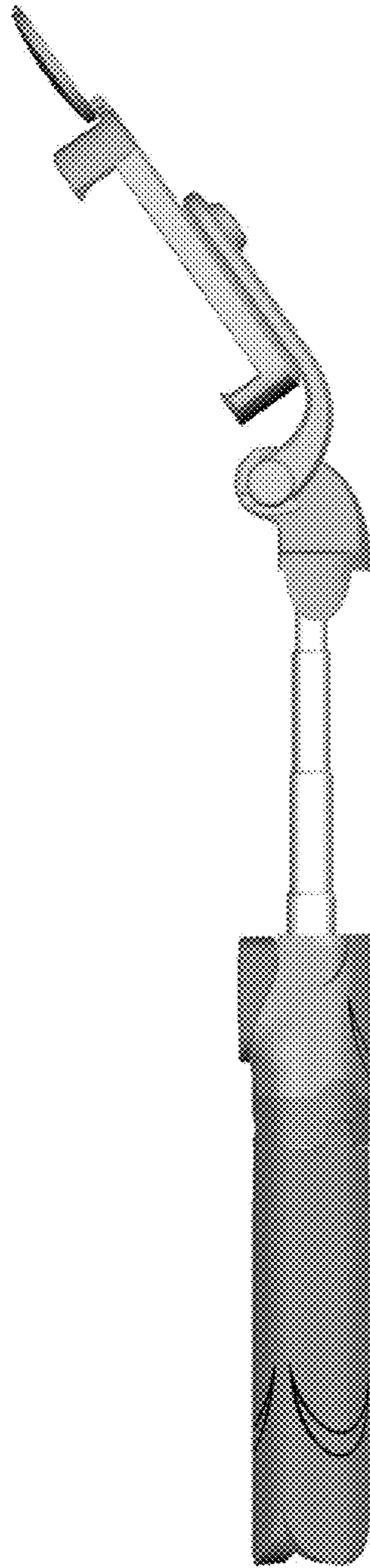


Fig. 4

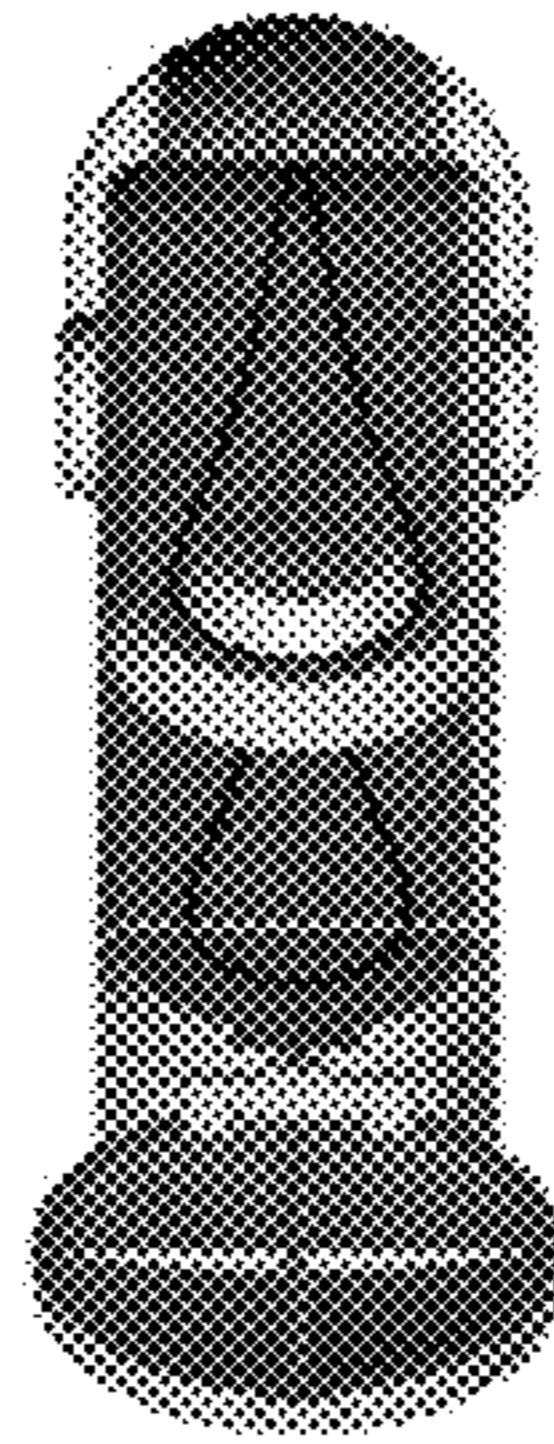


Fig. 5

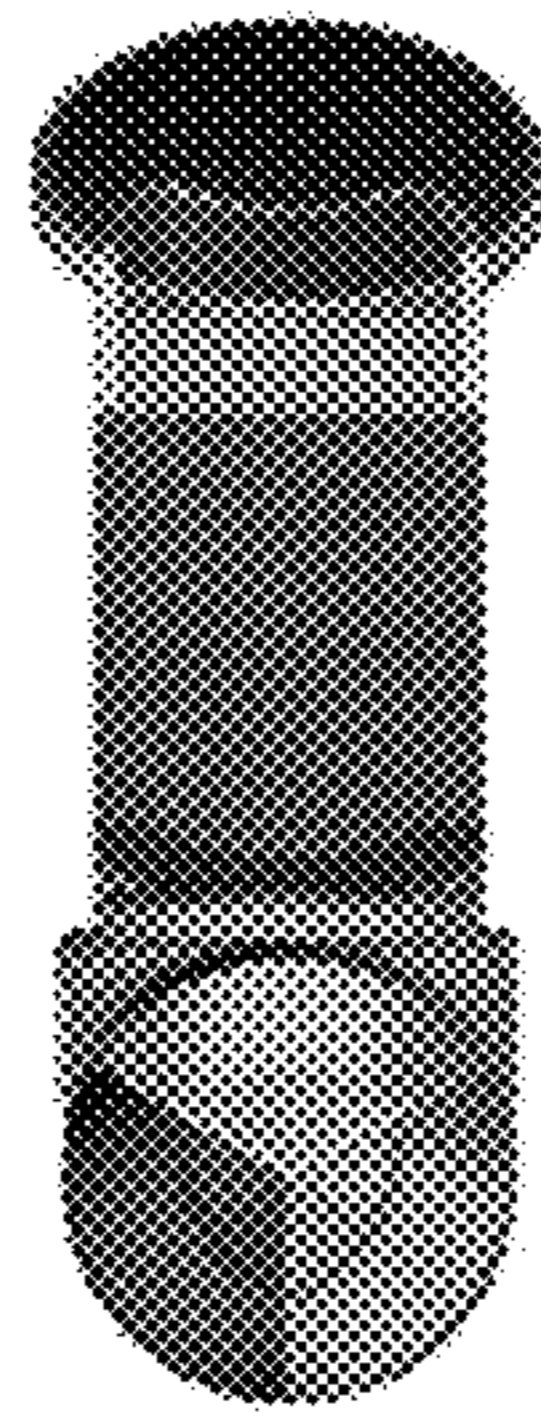


Fig. 6

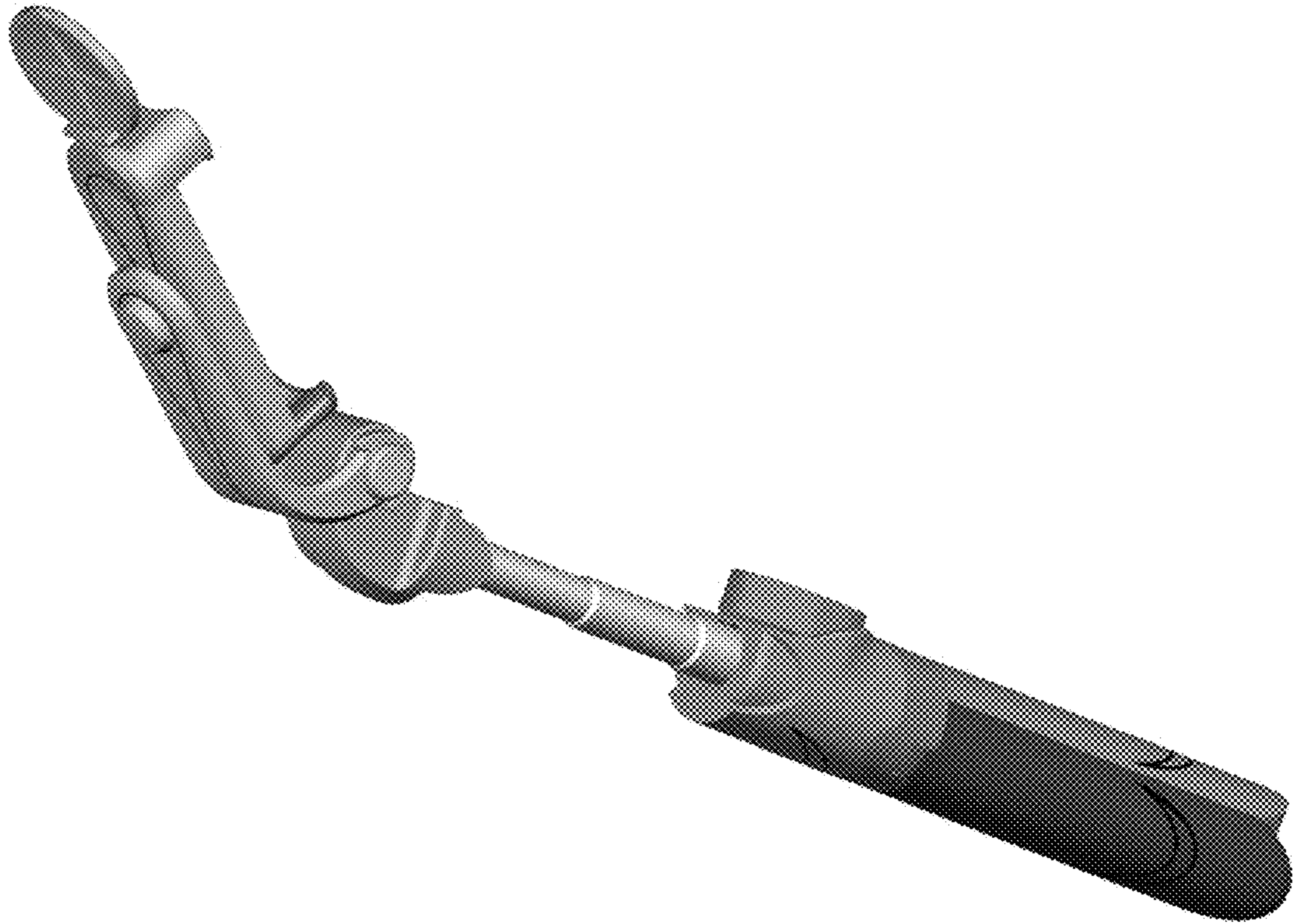


Fig. 7

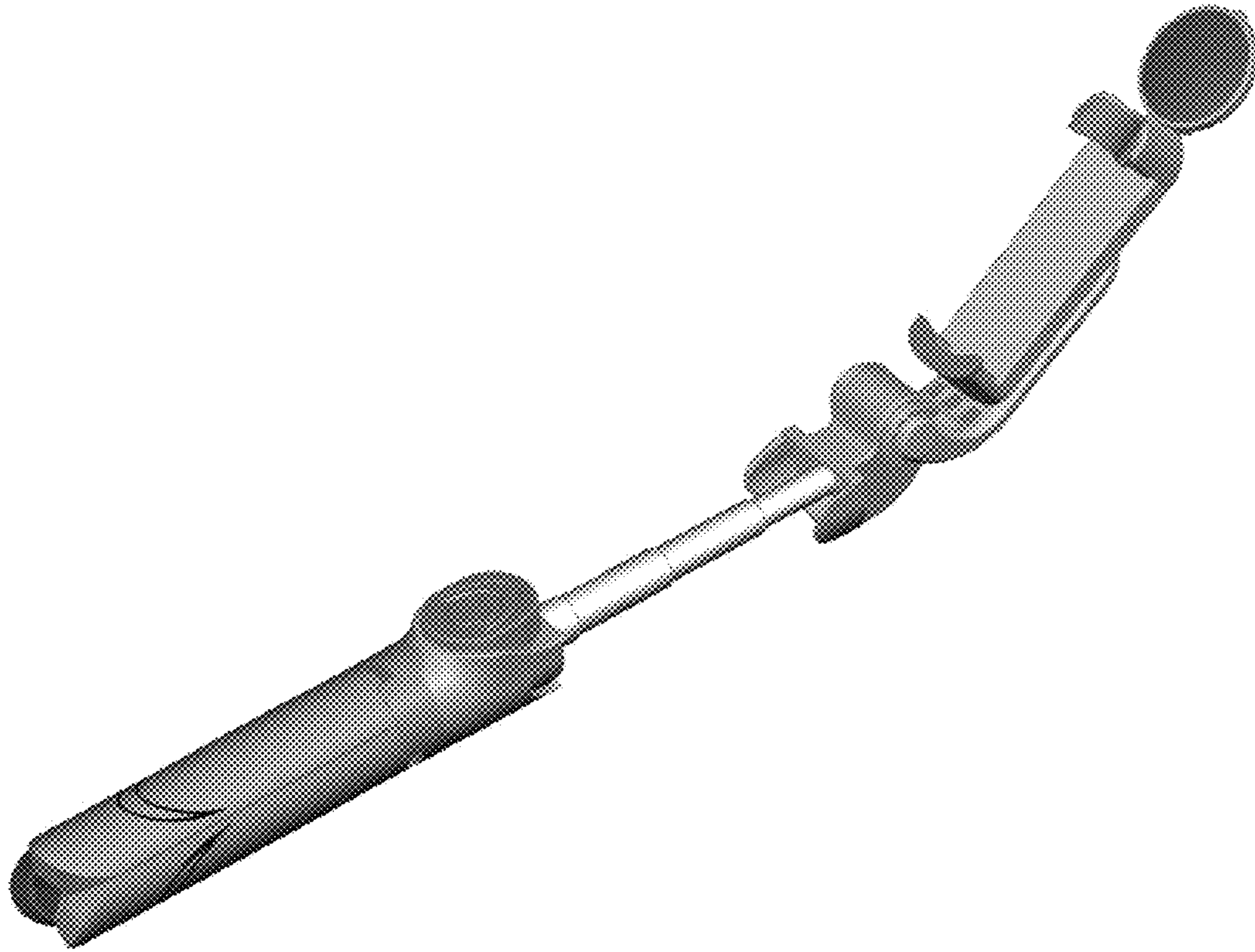


Fig. 8

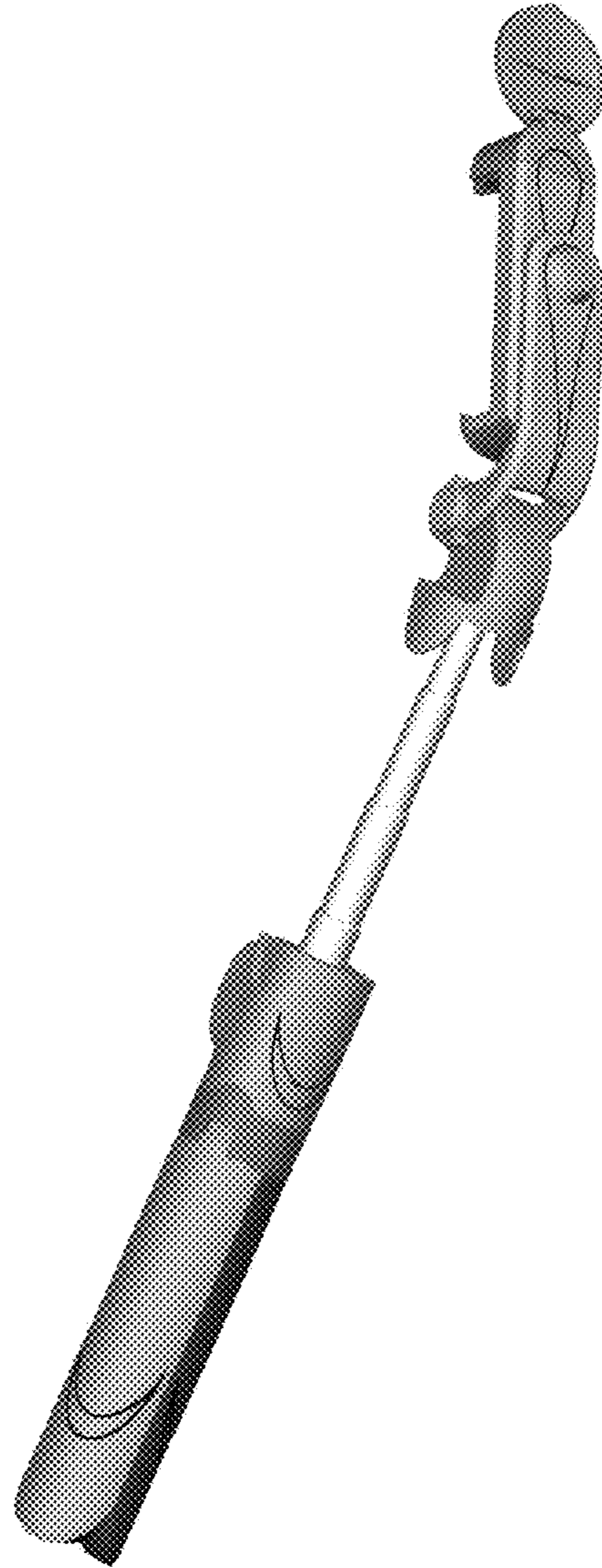


Fig. 9

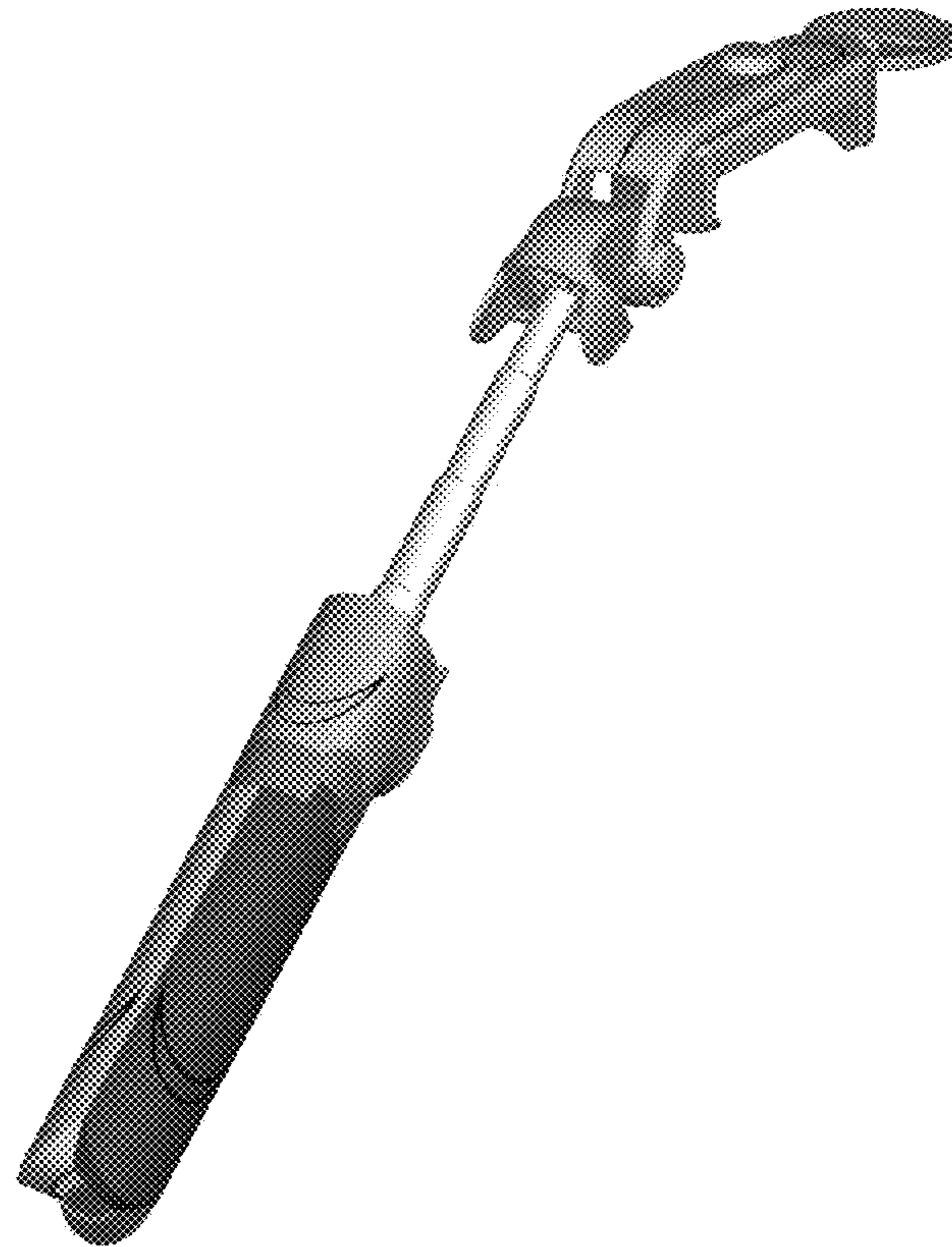


Fig. 10

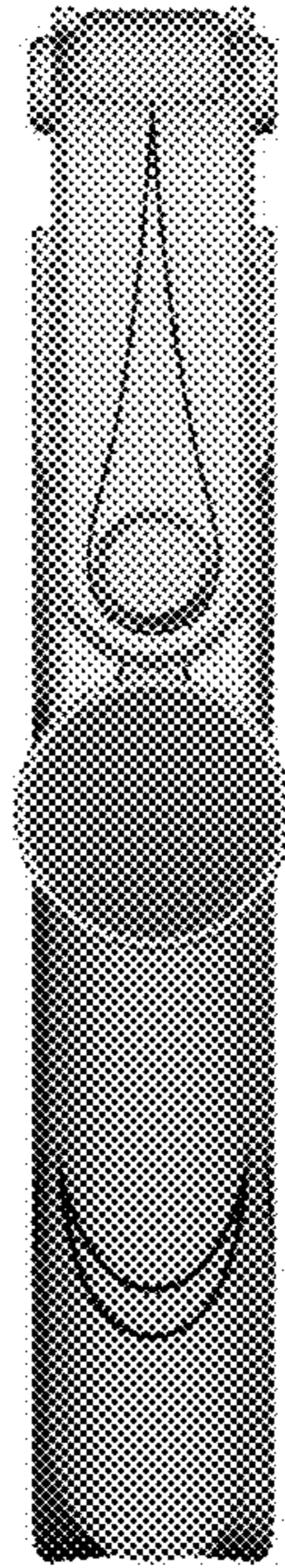


Fig. 11

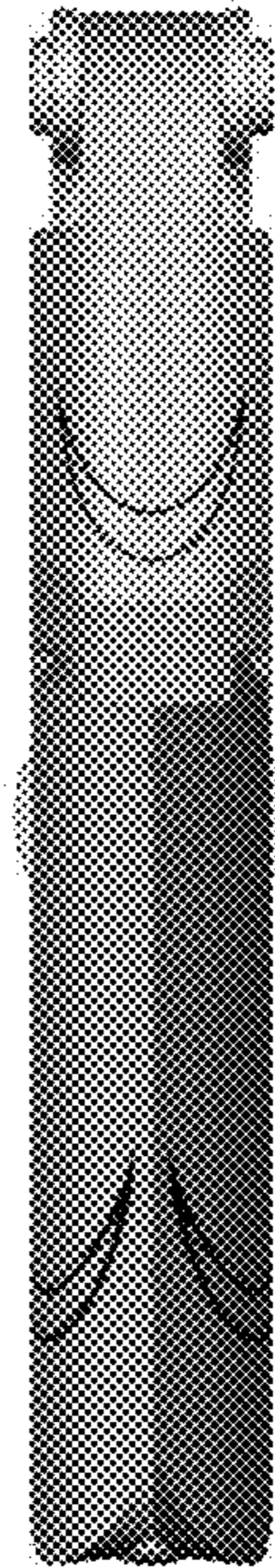


Fig. 12

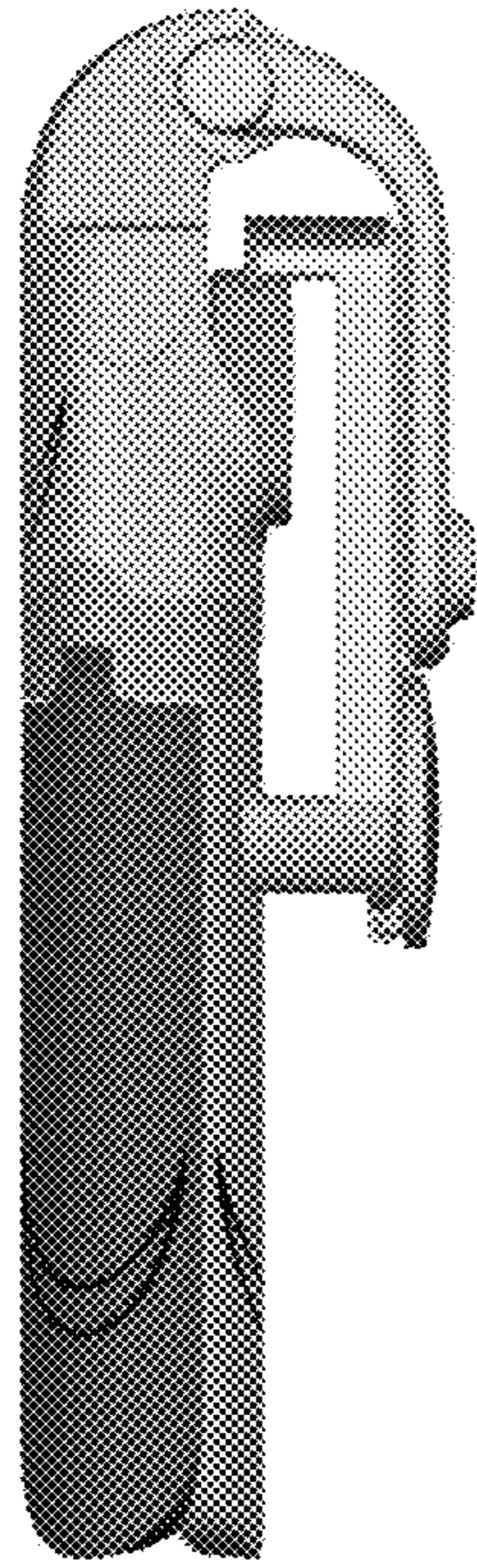


Fig. 13

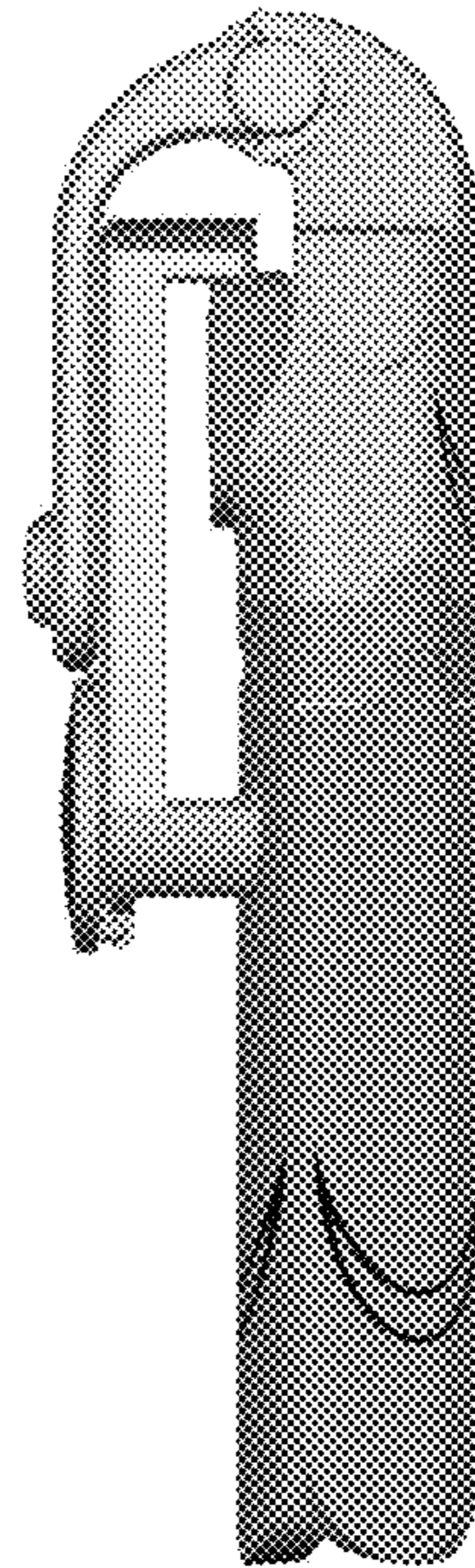


Fig. 14

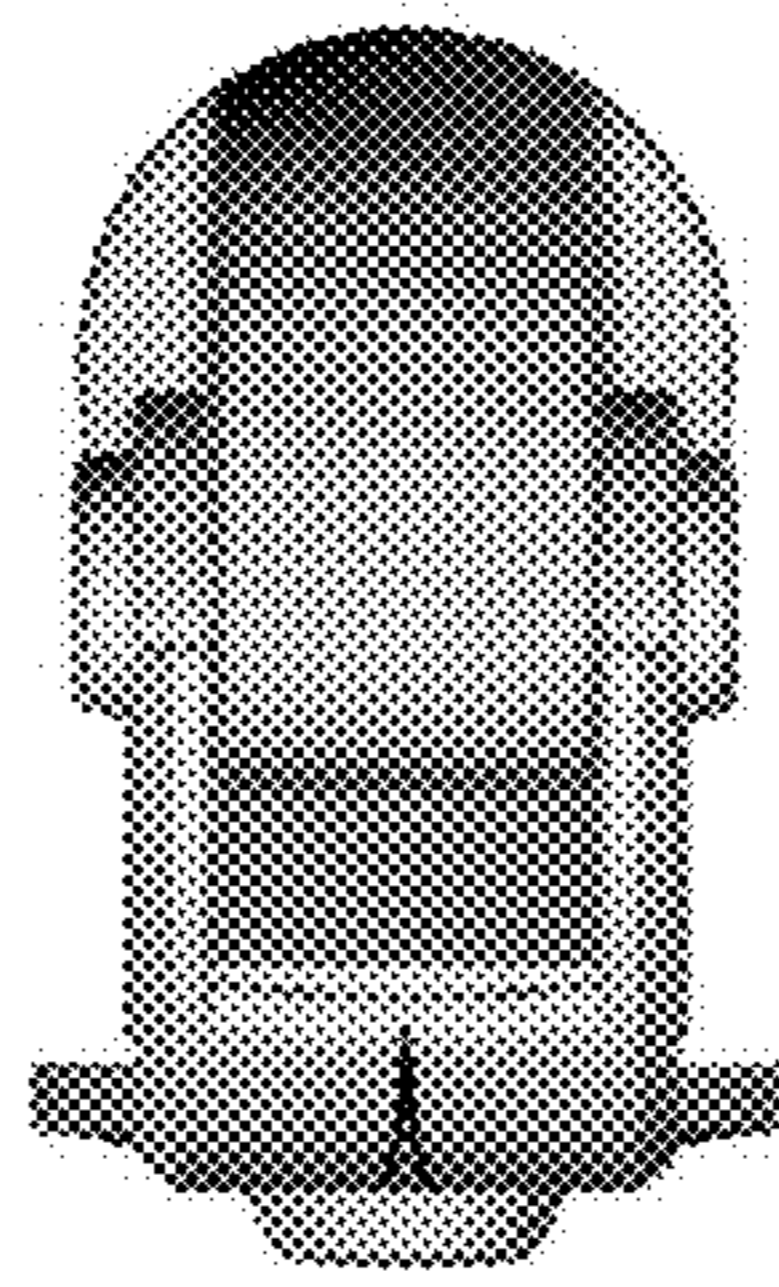


Fig. 15

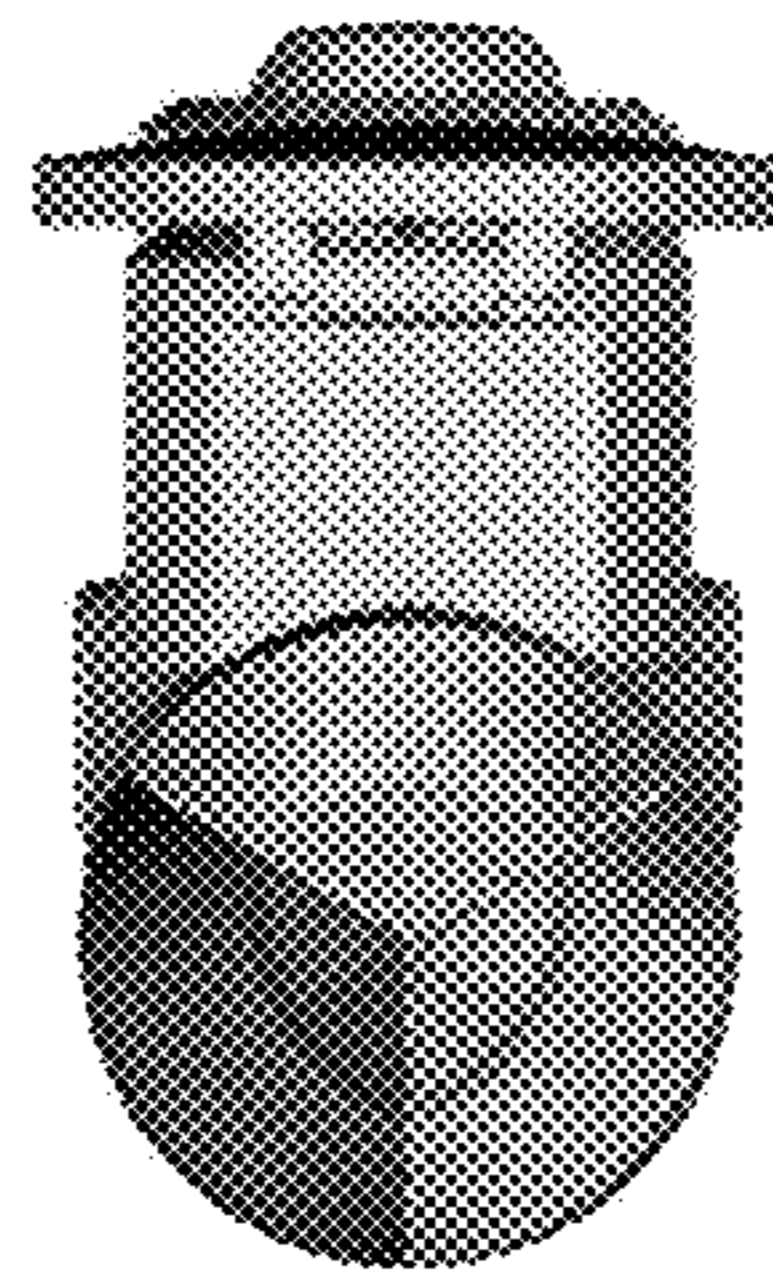


Fig. 16

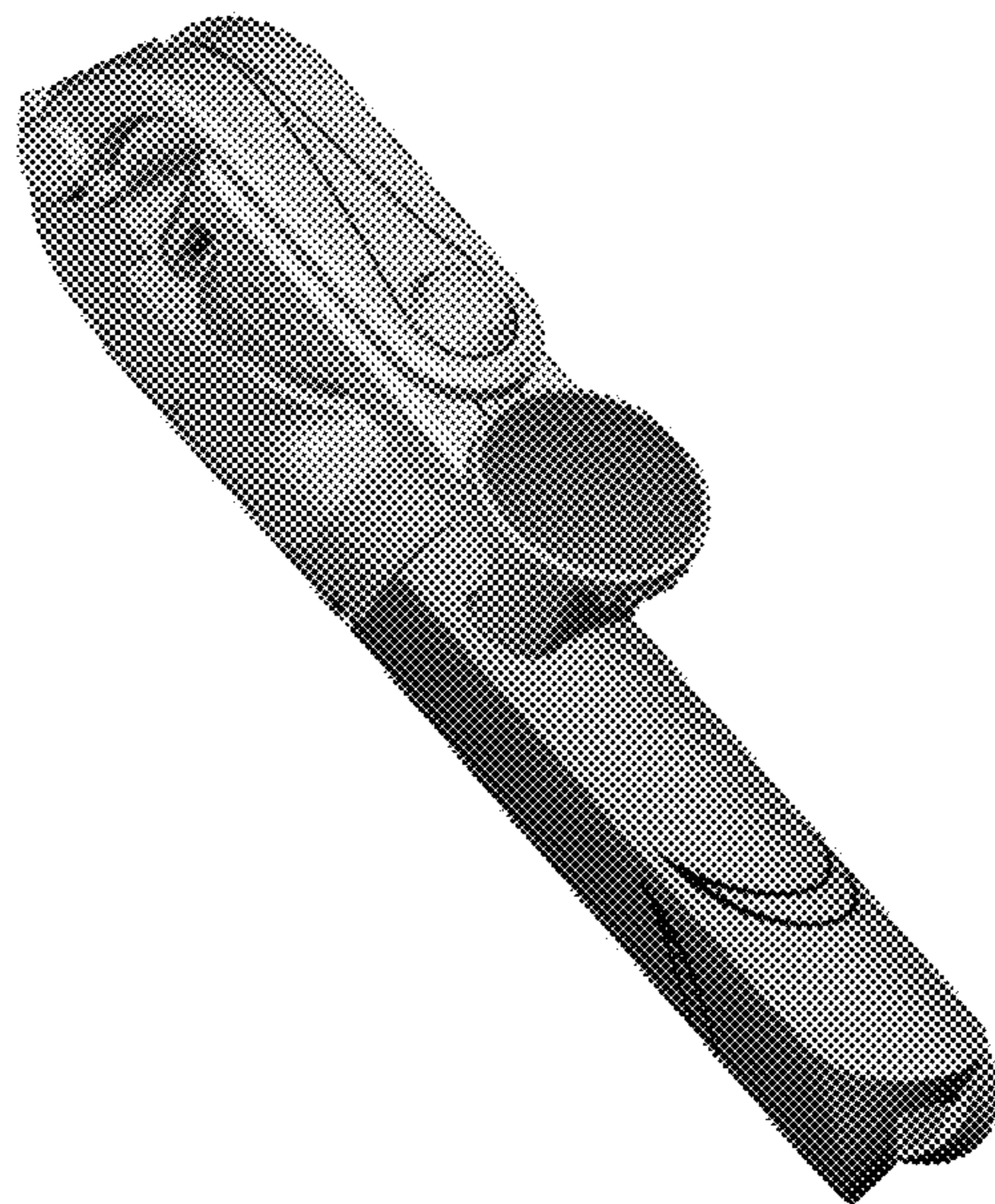


Fig. 17



Fig. 18

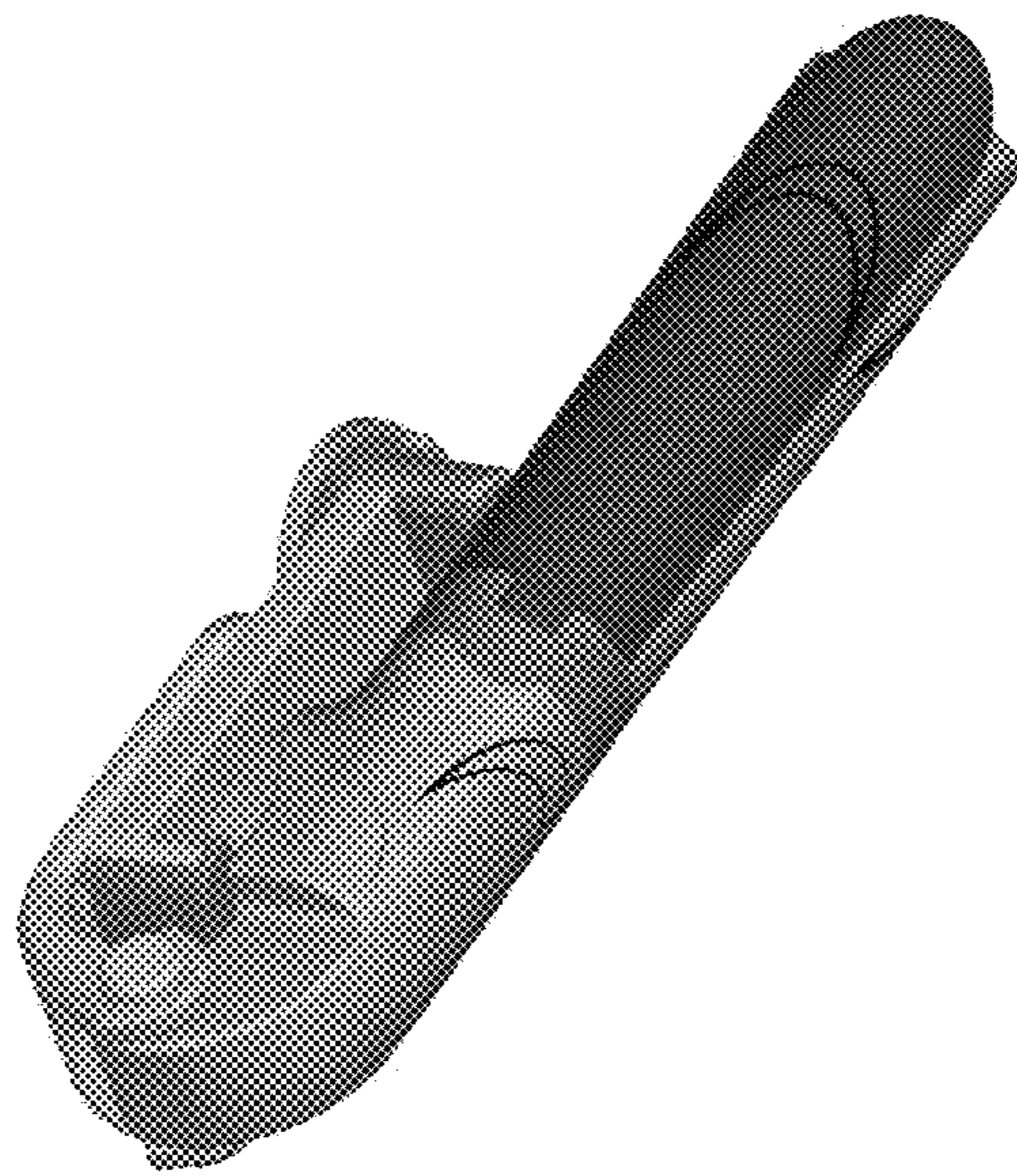


Fig. 19

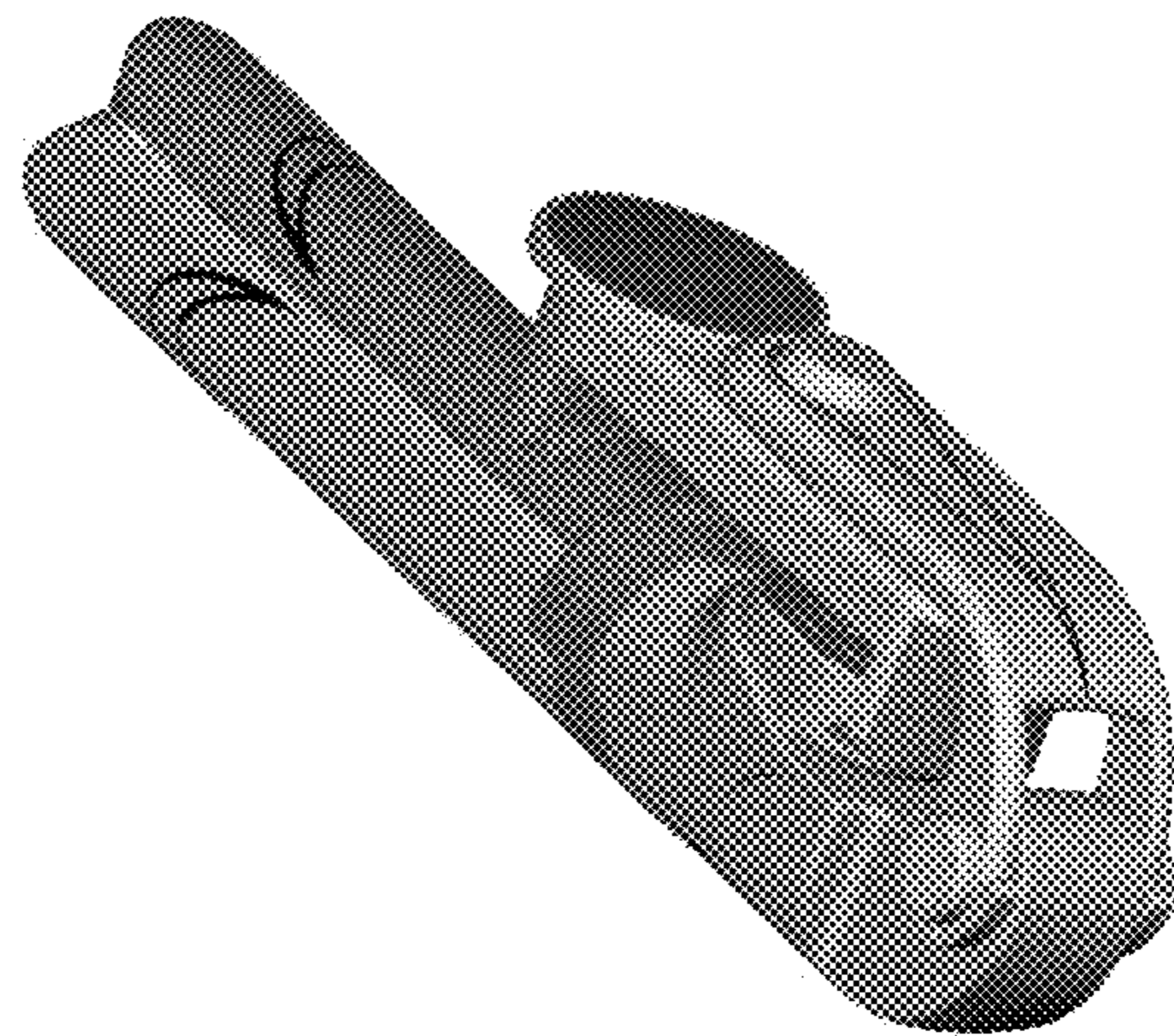


Fig. 20

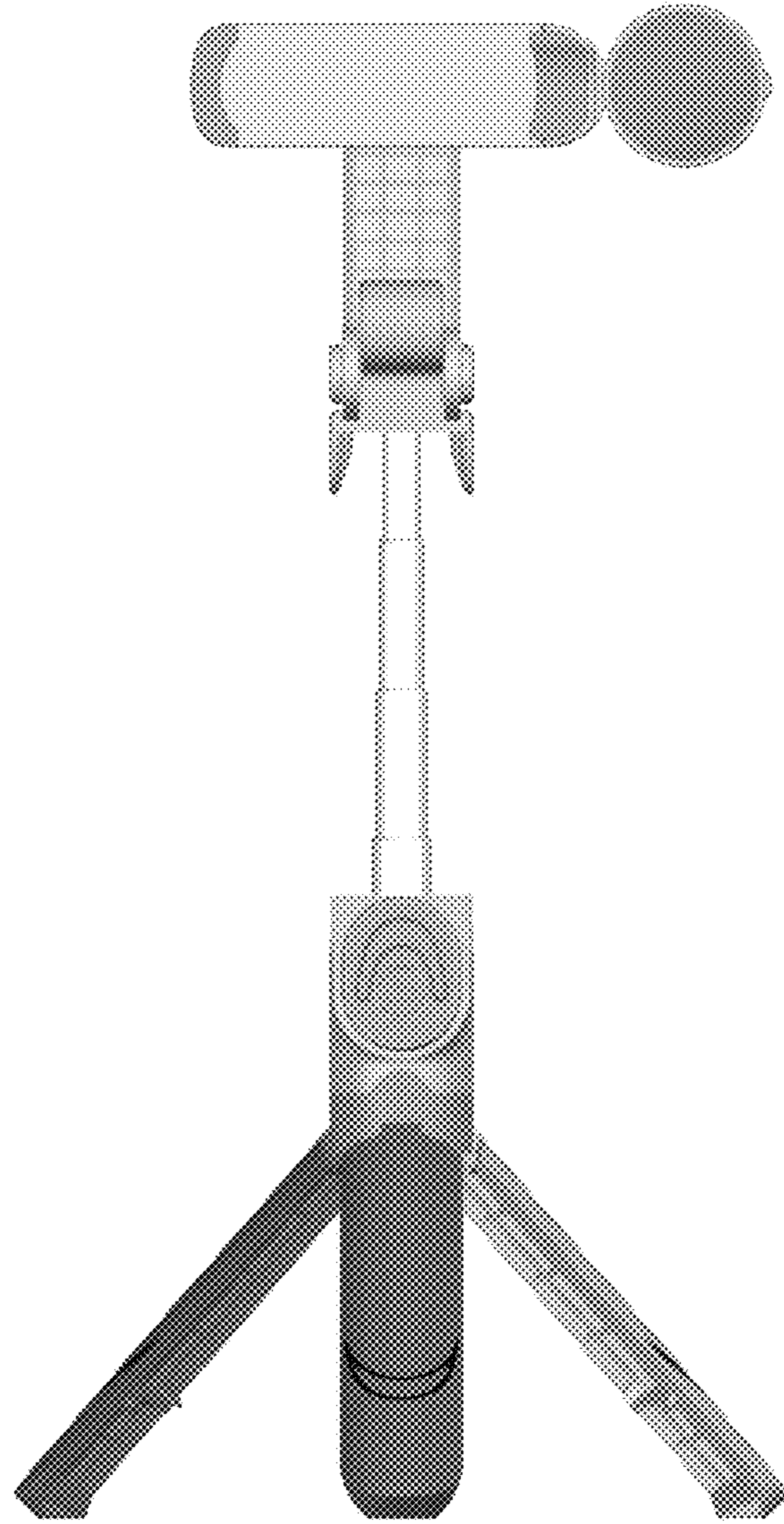


Fig. 21

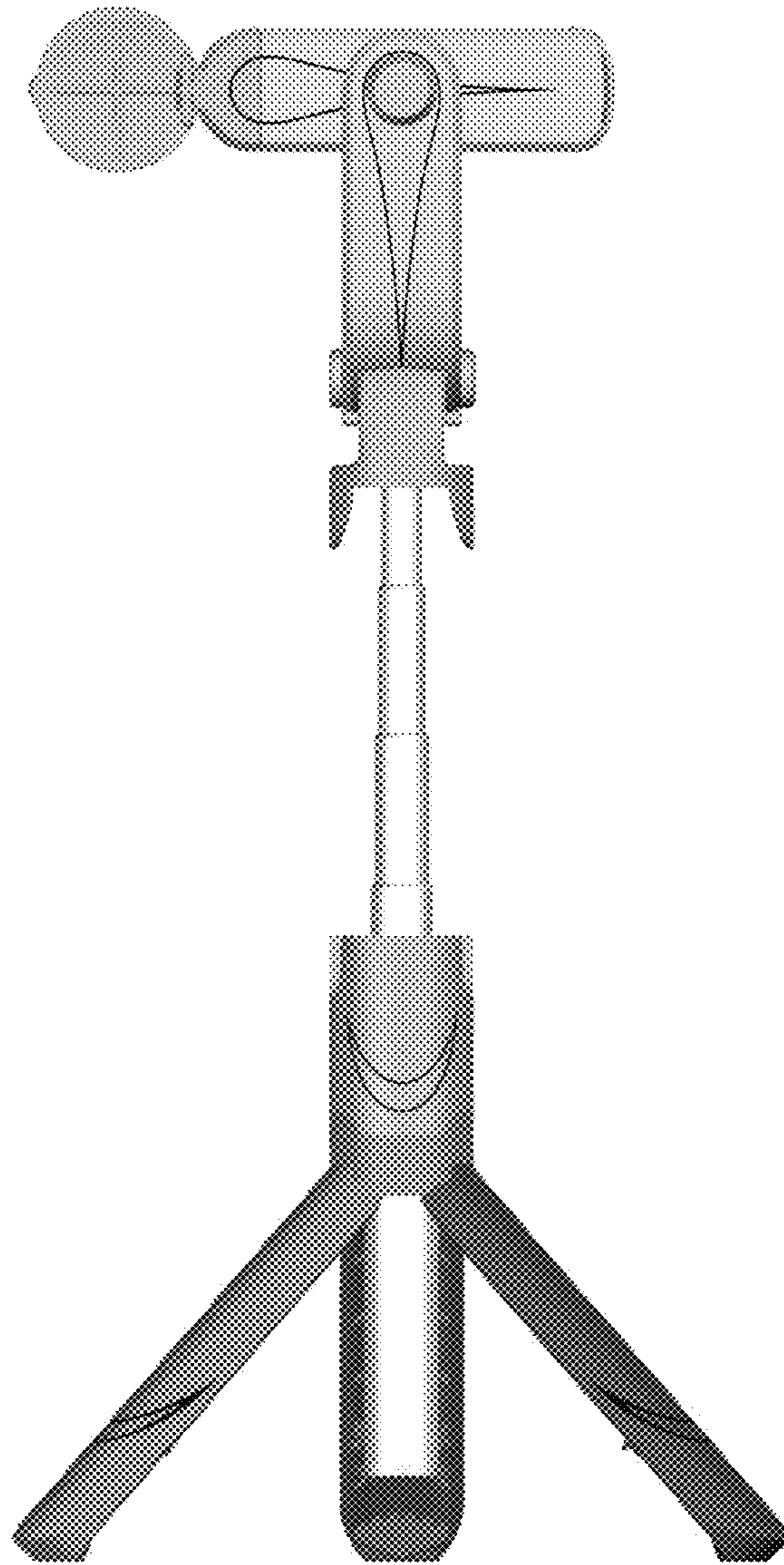


Fig. 22

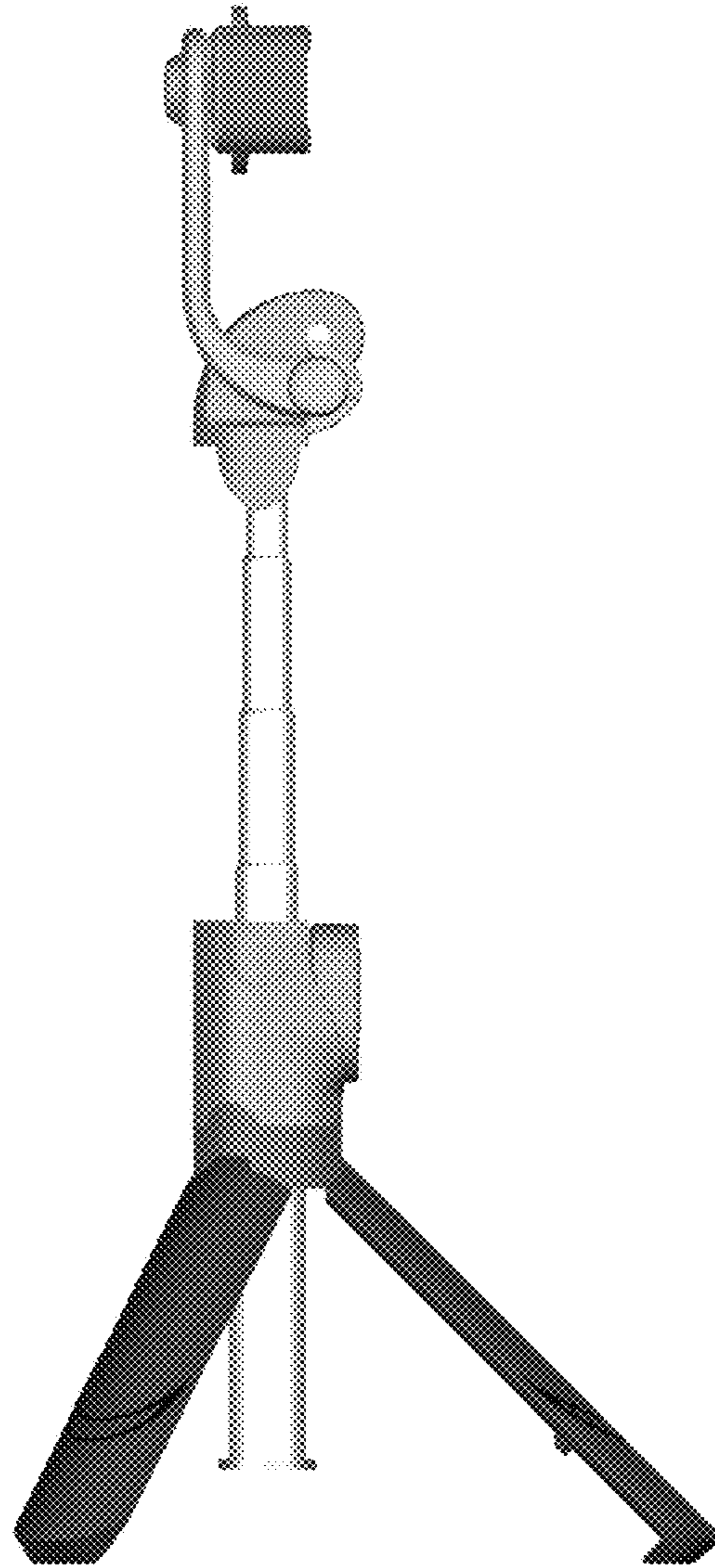


Fig. 23

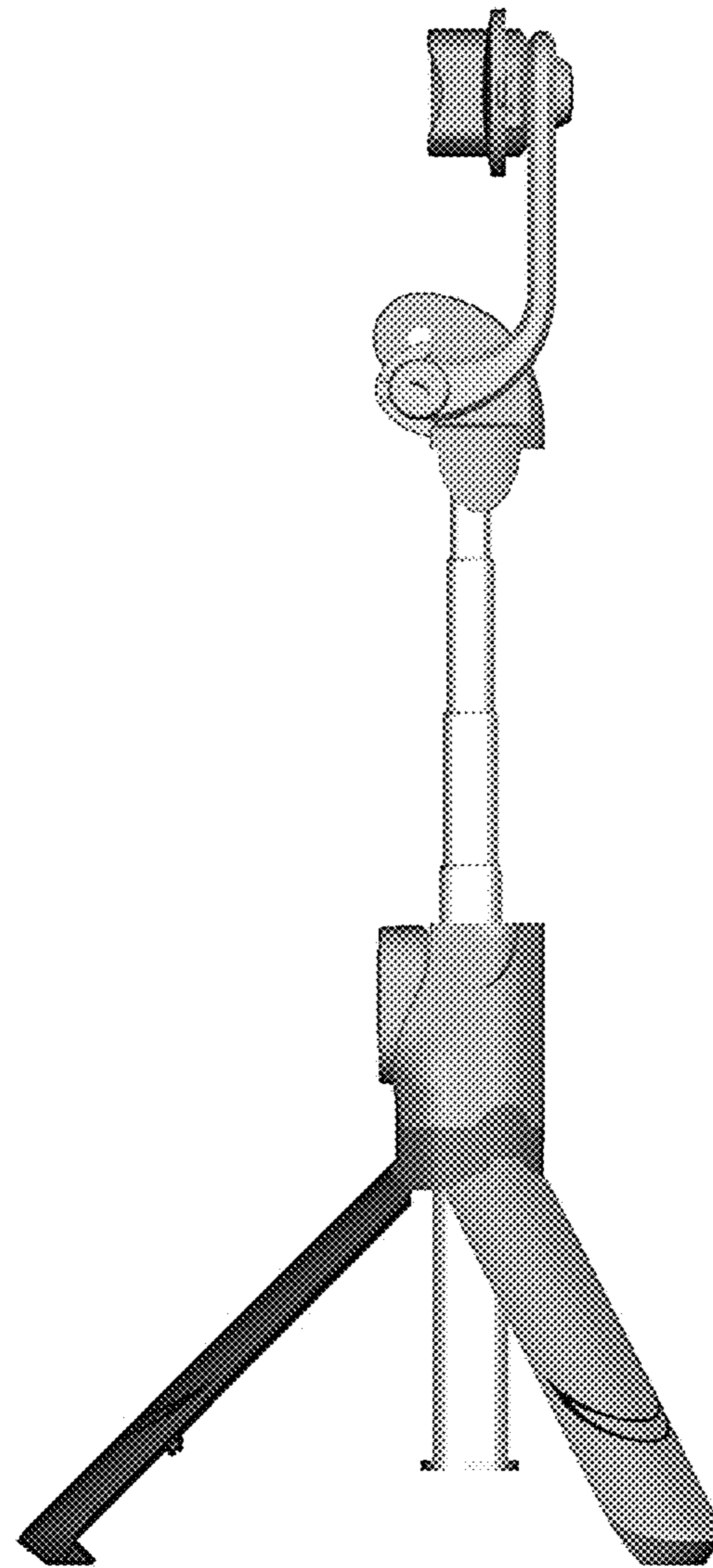


Fig. 24

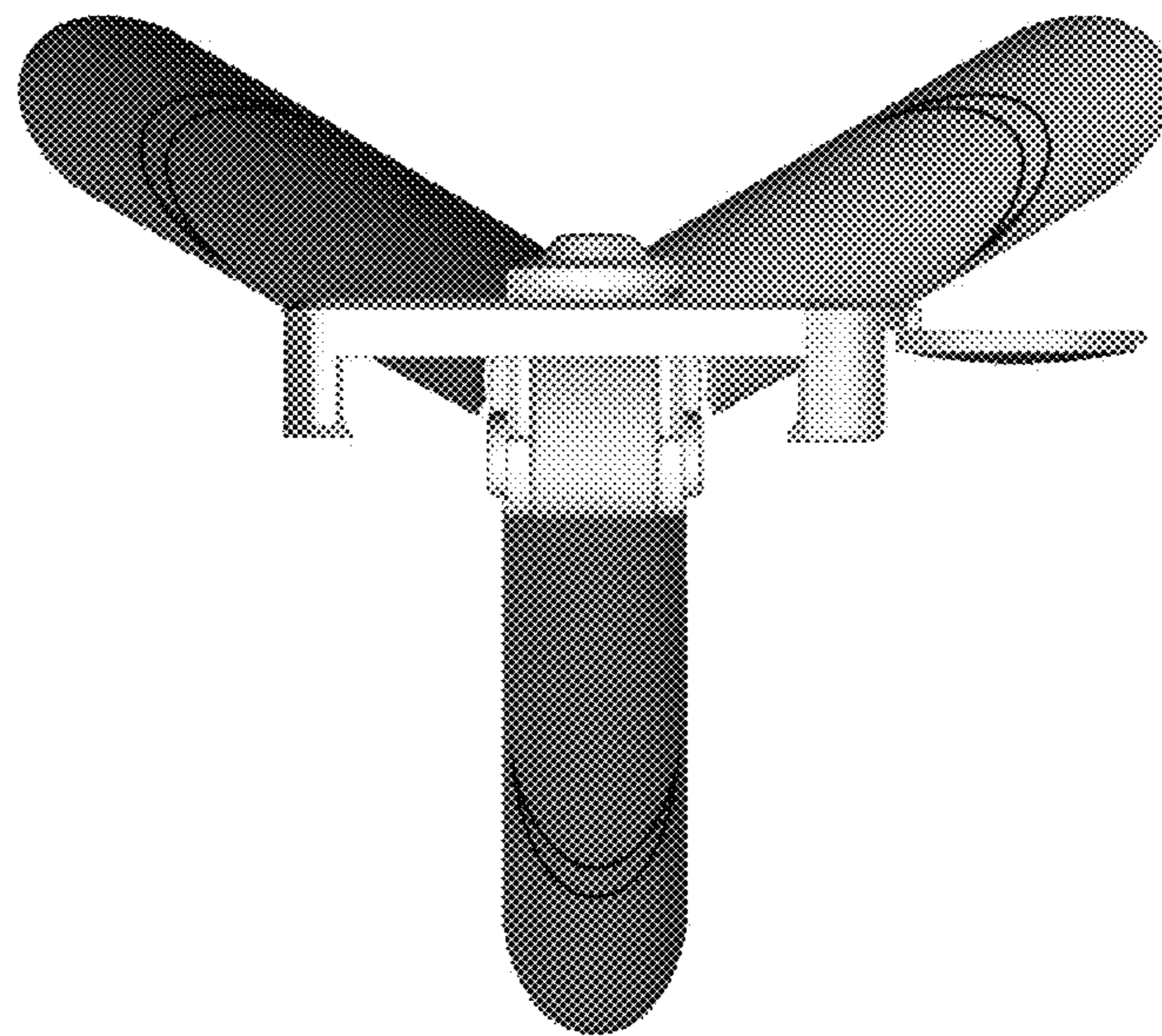


Fig. 25

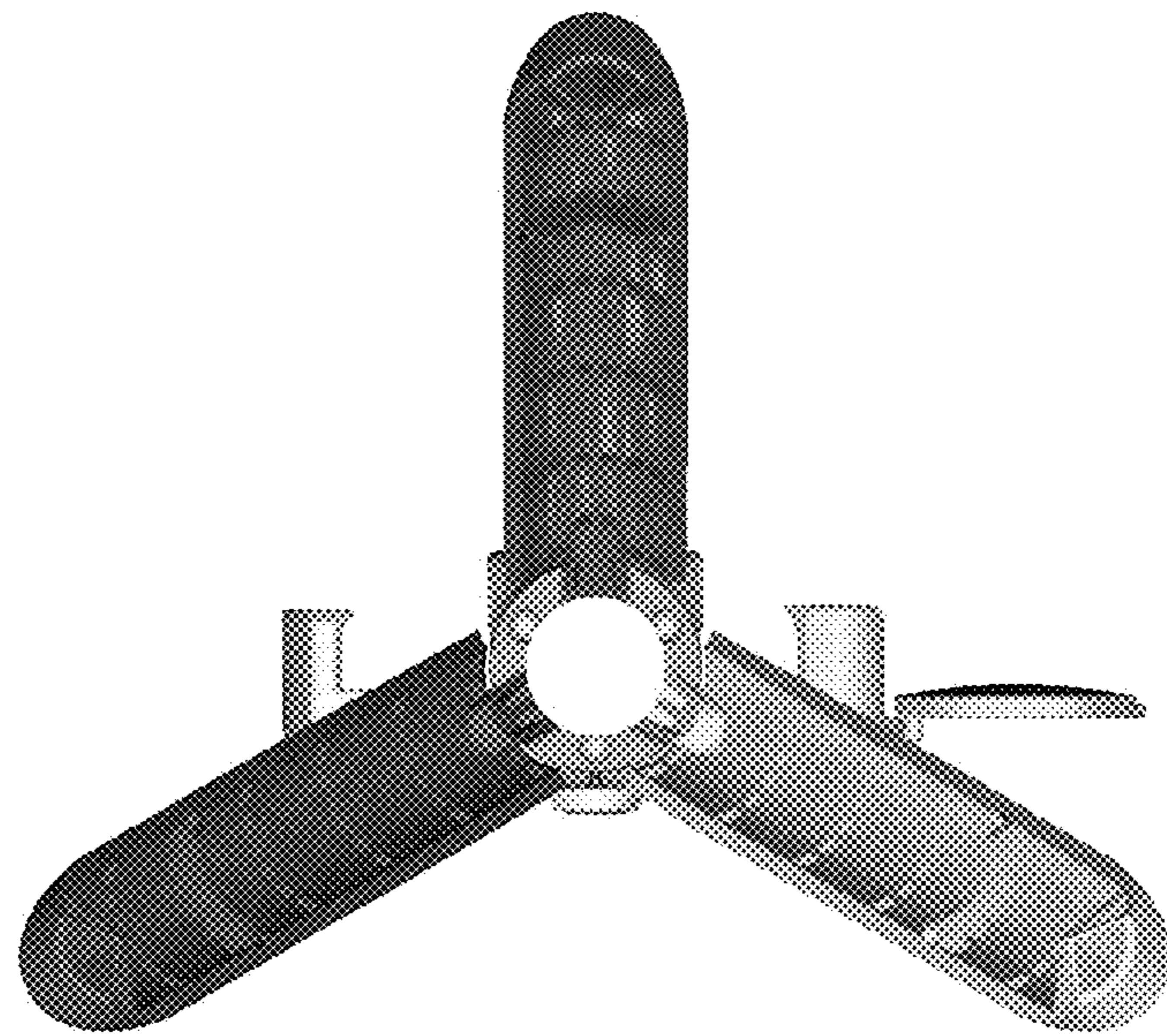


Fig. 26

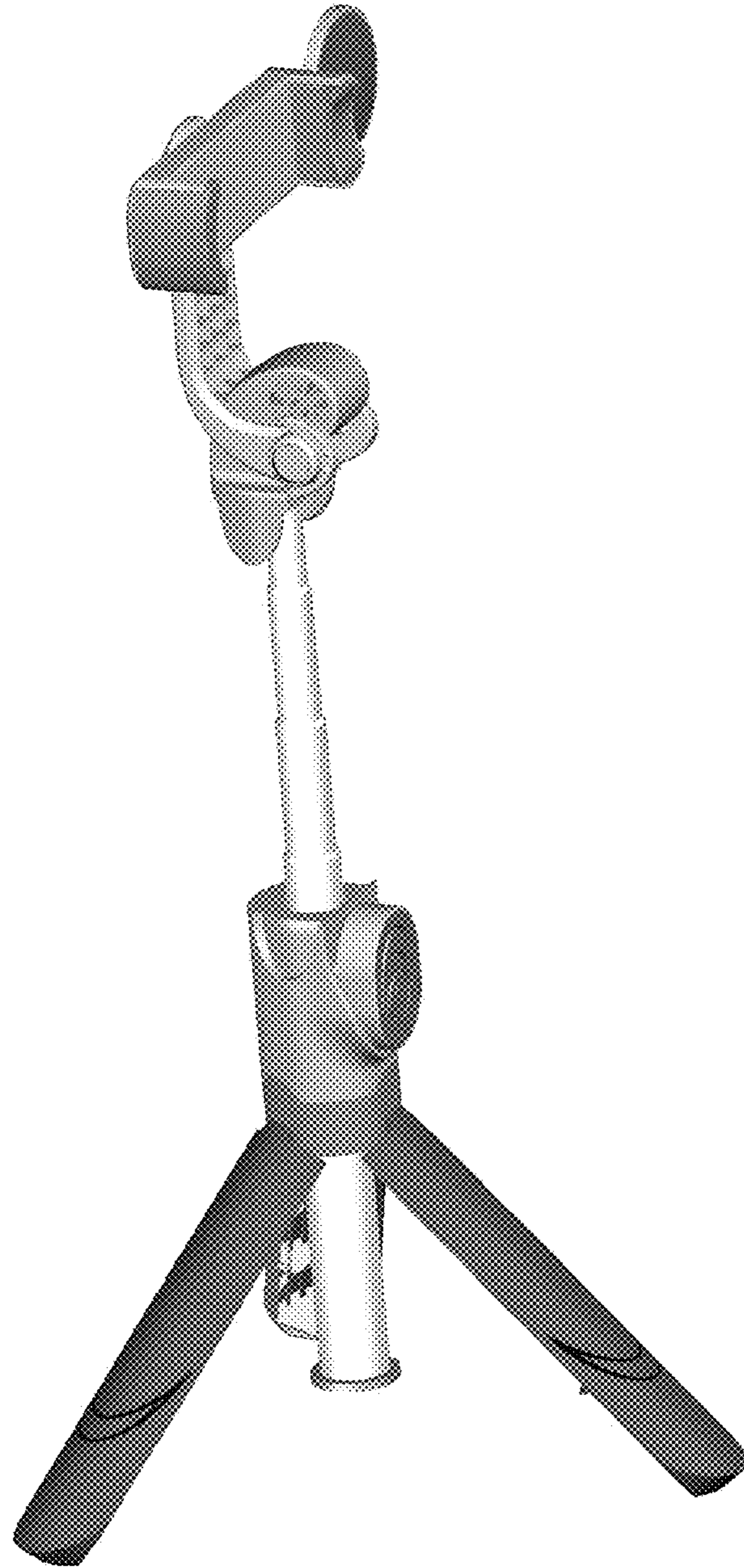


Fig. 27

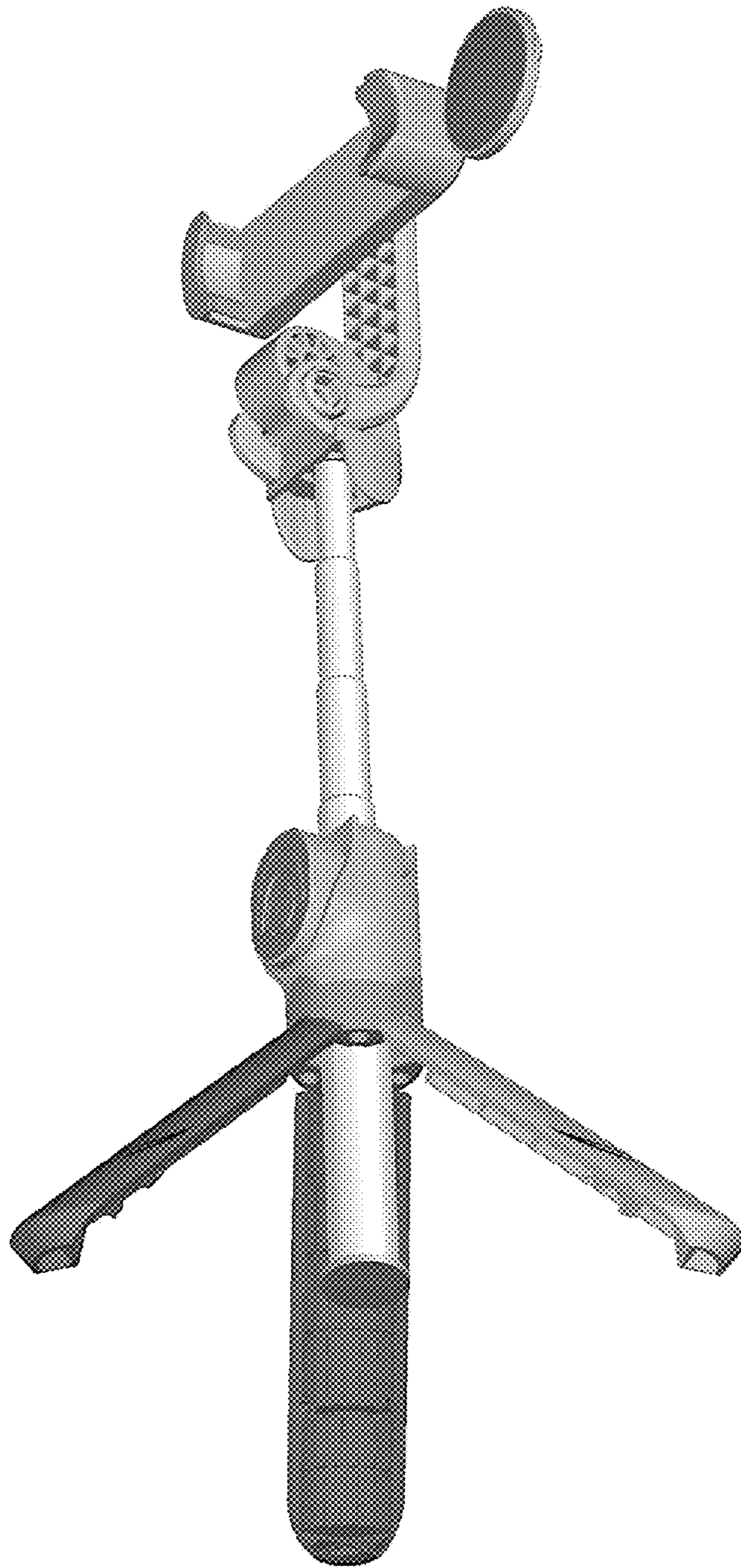


Fig. 28

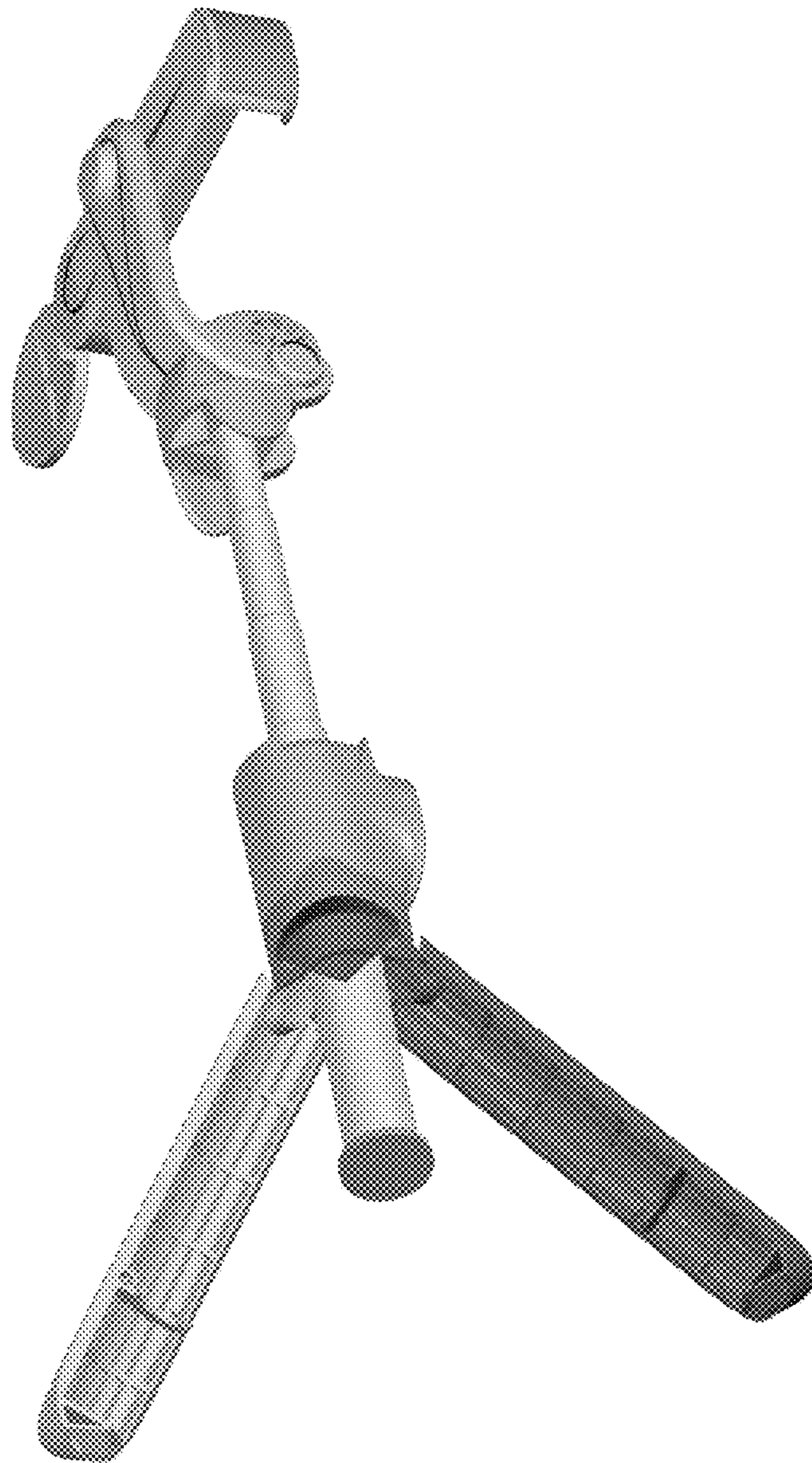


Fig. 29

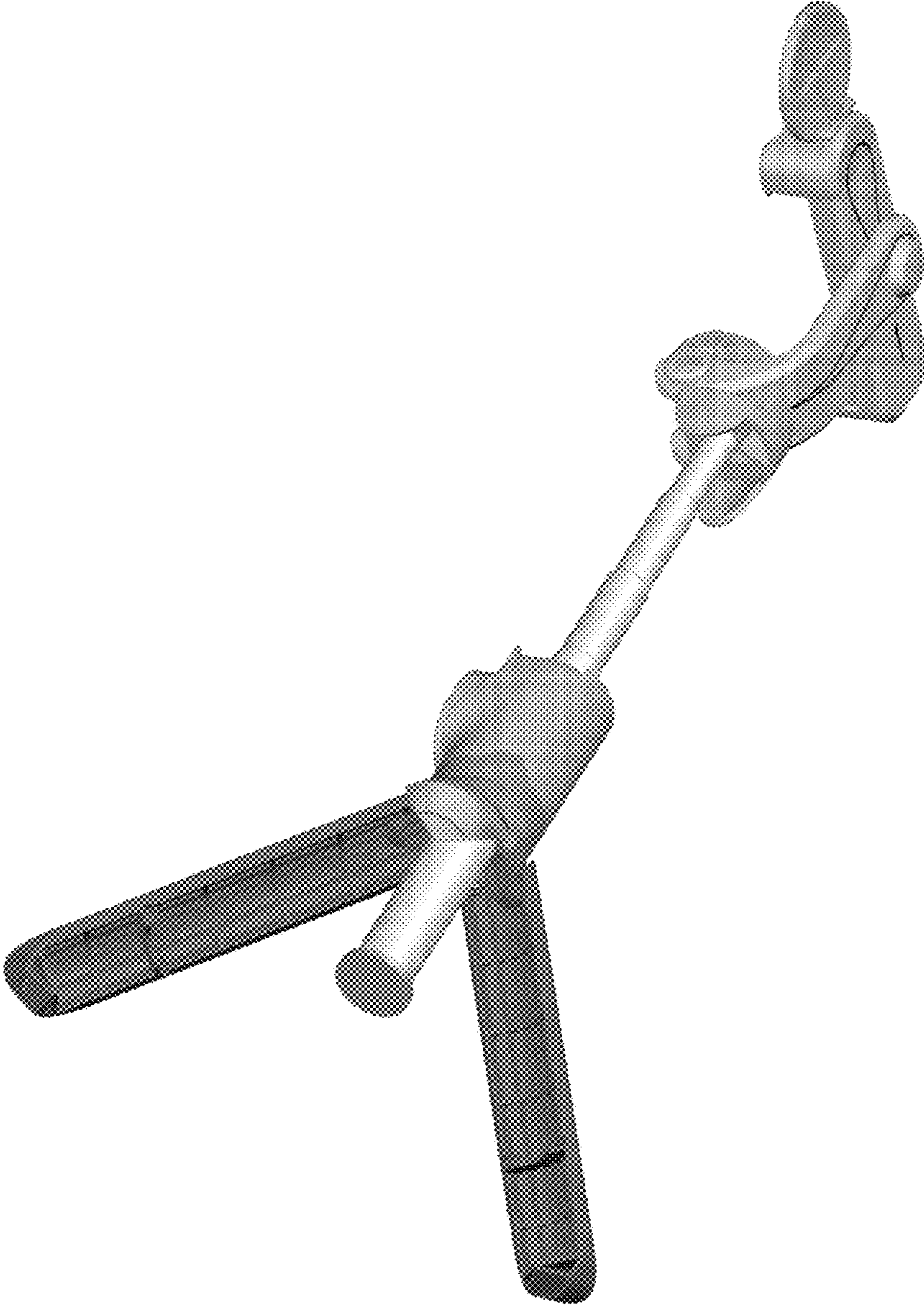


Fig. 30