



US00D852872S

(12) **United States Design Patent**
Fang

(10) **Patent No.:** **US D852,872 S**
(45) **Date of Patent:** **** Jul. 2, 2019**

(54) **SELFIE STICK**

(71) Applicant: **Guixiong Fang**, Guangdong (CN)

(72) Inventor: **Guixiong Fang**, Guangdong (CN)

(**) Term: **15 Years**

(21) Appl. No.: **29/633,077**

(22) Filed: **Jan. 12, 2018**

(30) **Foreign Application Priority Data**

Nov. 21, 2017 (CN) 2017 3 0576521

(51) **LOC (11) Cl.** **16-05**

(52) **U.S. Cl.**
USPC **D16/243**; D16/244; D14/253

(58) **Field of Classification Search**
USPC D16/219, 237-250; D14/224, 229, 238,
D14/251, 253, 447, 451, 457; D8/354,
D8/355, 363, 373, 382-383, 394-396
(Continued)

(56) **References Cited**

U.S. PATENT DOCUMENTS

7,207,118 B2 * 4/2007 Watters A45C 13/30
33/290
D553,848 S * 10/2007 Barker D3/9
(Continued)

OTHER PUBLICATIONS

Original Xiaomi Mi Tripod Selfie Stick Bluetooth 3.0 Wireless
Button Shutter.[online] Published on Jun. 9, 2018. Retrieved Nov.
26, 2018 from URL: <https://www.aliexpress.com/item/Original-Xiaomi-Mi-Tripod-Selfie-Stick-Bluetooth-3-0-Remote-360-Rotation-Lightweight-Foldable-Compact-Android/32812246825.html>.*

(Continued)

Primary Examiner — Vy N Koenig

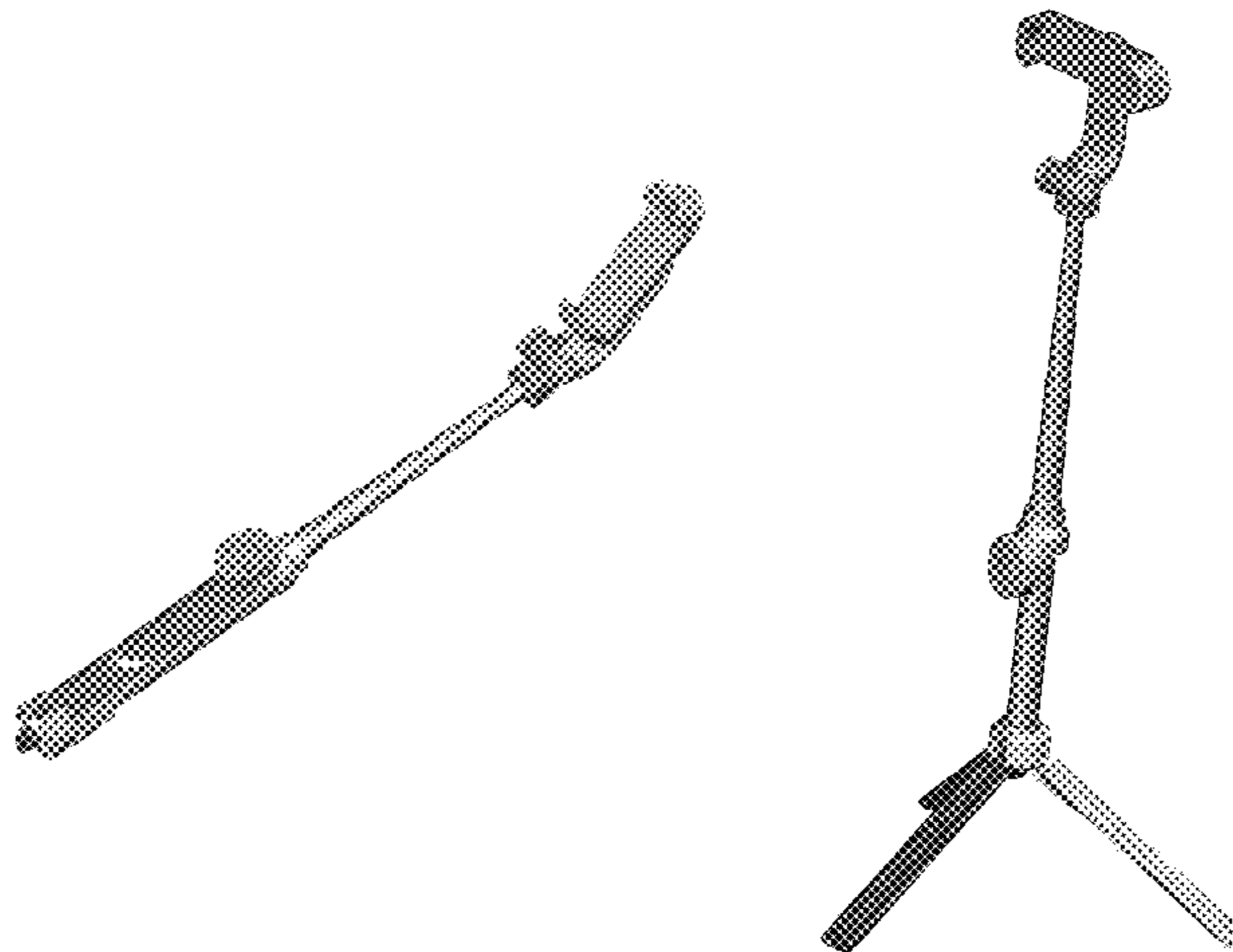
(57) **CLAIM**

The ornamental design for a selfie stick, as shown and described.

DESCRIPTION

FIG. 1 is a front elevational view of a selfie stick showing my new design in a handheld status;
FIG. 2 is a rear elevational view thereof;
FIG. 3 is a left side view thereof;
FIG. 4 is a right side view thereof;
FIG. 5 is a top plan view thereof;
FIG. 6 is a bottom plan view thereof;
FIG. 7 is a front, right and bottom perspective view thereof;
FIG. 8 is a front, left and bottom perspective view thereof;
FIG. 9 is a rear, left and top perspective view thereof;
FIG. 10 is a rear, right and top perspective view thereof;
FIG. 11 is a front elevational view of the selfie stick in a folded status;
FIG. 12 is a rear elevational view of FIG. 11;
FIG. 13 is a left side view of FIG. 11;
FIG. 14 is a right side view of FIG. 11;
FIG. 15 is a top plan view of FIG. 11;
FIG. 16 is a bottom plan view of FIG. 11;
FIG. 17 is a front, left and bottom perspective view of FIG. 11;
FIG. 18 is a rear, left and bottom perspective view of FIG. 11;
FIG. 19 is a front, right and top perspective view of FIG. 11;
FIG. 20 is a rear, left and top perspective view of FIG. 11;
FIG. 21 is a front elevational view of the selfie stick in a standing status;
FIG. 22 is a rear elevational view of FIG. 21;
FIG. 23 is a left side view of FIG. 21;
FIG. 24 is a right side view of FIG. 21;
FIG. 25 is a top plan view of FIG. 21;
FIG. 26 is a bottom plan view of FIG. 21;
FIG. 27 is a front, right and top perspective view of FIG. 21;
FIG. 28 is a front, left and bottom perspective view of FIG. 21; and
FIG. 29 is a rear, right and top perspective view of FIG. 21.

1 Claim, 29 Drawing Sheets



(58) **Field of Classification Search**

CPC F16M 11/06-10; F16M 11/14; G02B
 7/00-002; G03B 17/56; G03B
 17/561-568; H04N 5/2253-2254; A45F
 2200/0508-0533; A45F 5/00; A45F 5/10
 See application file for complete search history.

D782,461 S * 3/2017 Pinto D14/253
 D799,447 S * 10/2017 Zheng D14/217
 D800,206 S * 10/2017 Moon D16/244
 9,851,625 B1 * 12/2017 Fernandez G03B 17/561
 D821,483 S * 6/2018 Vitale D16/244
 D822,092 S * 7/2018 Bergman D16/243
 D822,754 S * 7/2018 Fang D16/243
 2016/0290556 A1 * 10/2016 Choi F16M 13/022
 2017/0037995 A1 * 2/2017 Pan F16M 11/18
 2018/0066792 A1 * 3/2018 Chen F16M 11/04

(56) **References Cited**

U.S. PATENT DOCUMENTS

7,344,320 B2 * 3/2008 Barker F16M 11/14
 135/66
 7,684,694 B2 * 3/2010 Fromm F16M 11/14
 396/376
 8,028,963 B2 * 10/2011 Speggiorin F16M 11/16
 248/177.1
 D673,204 S * 12/2012 Bae D16/244
 D678,387 S * 3/2013 Stump D16/244
 D715,791 S * 10/2014 Yu D14/253
 D766,230 S * 9/2016 Shepard D14/253

OTHER PUBLICATIONS

Extendable Mini Monopod Tripod Desktop Portable Stand Bluetooth
 Remote Shutter Selfie Stick. [online] Retrieved Nov. 26, 2018 from
 URL:https://www.aliexpress.com/item/Extendable-Mini-Monopod-Tripod-Desktop-Portable-Stand-Bluetooth-Remote-Shutter-Selfie-Stick-Mount-For-Mobile-Phone/32885173586.html?spm=2114.12010108.10.*

* cited by examiner

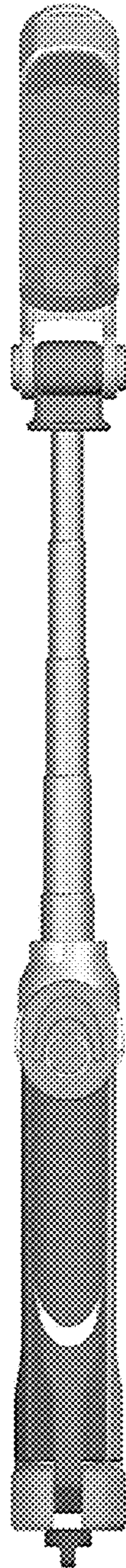


Fig. 1

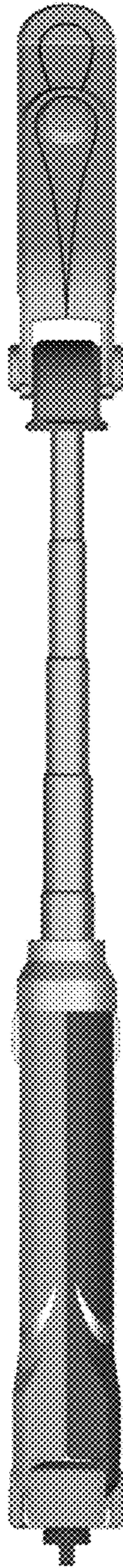


Fig. 2

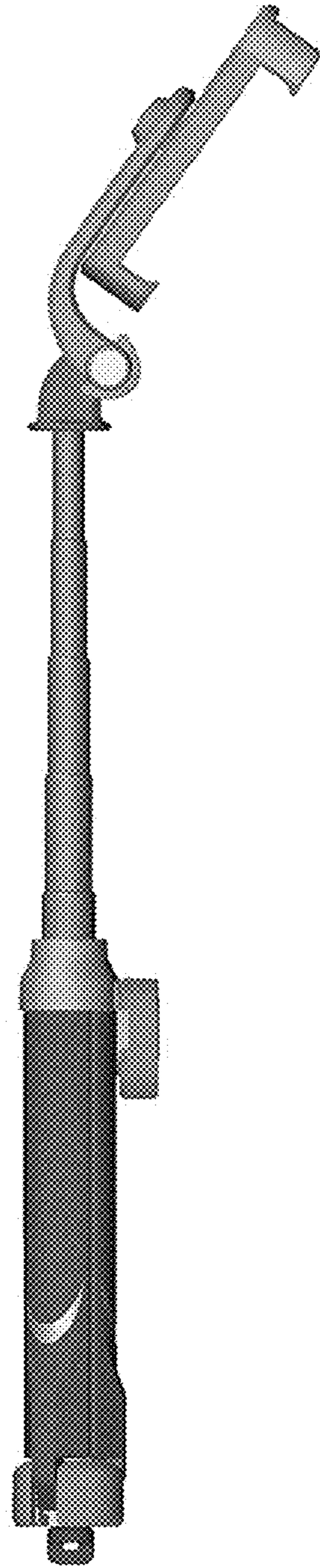


Fig. 3

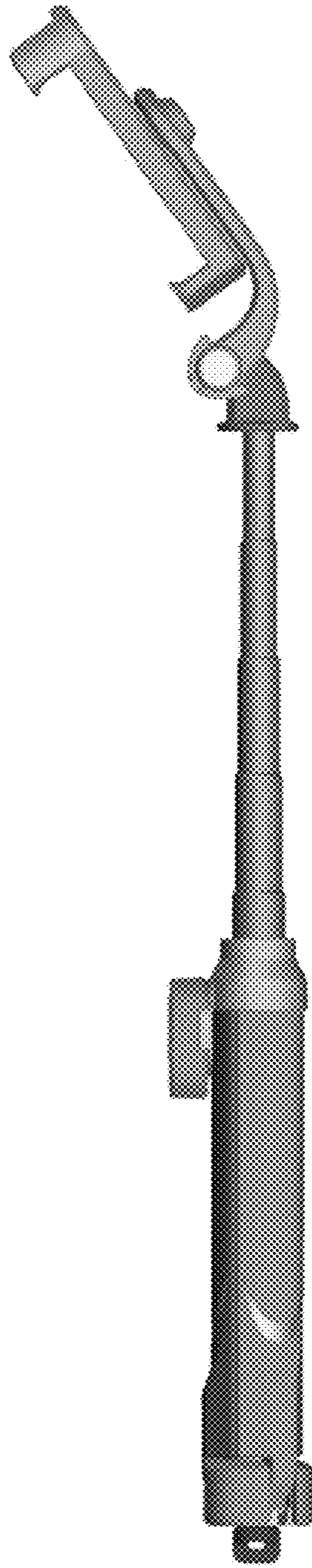


Fig. 4

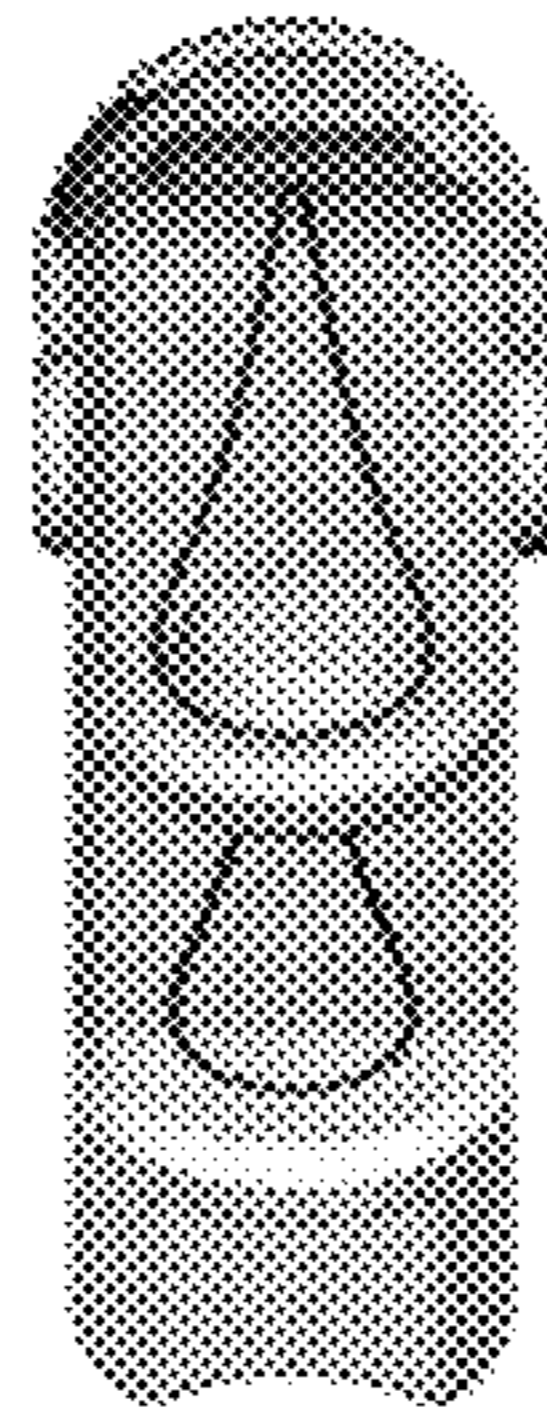


Fig. 5

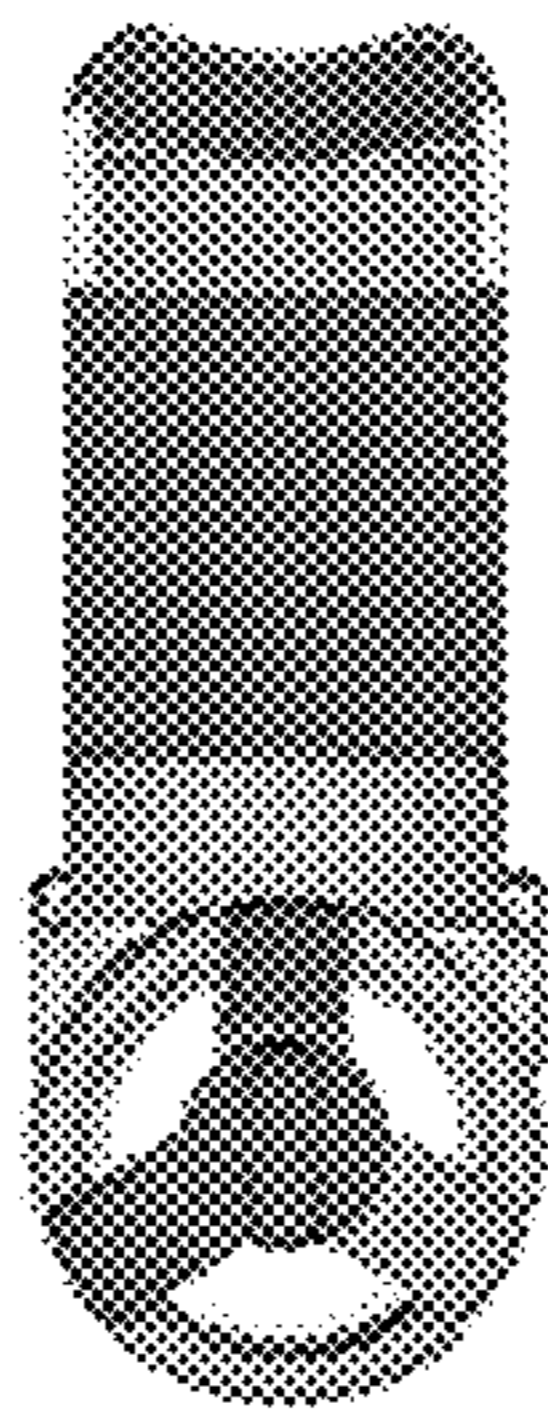


Fig. 6

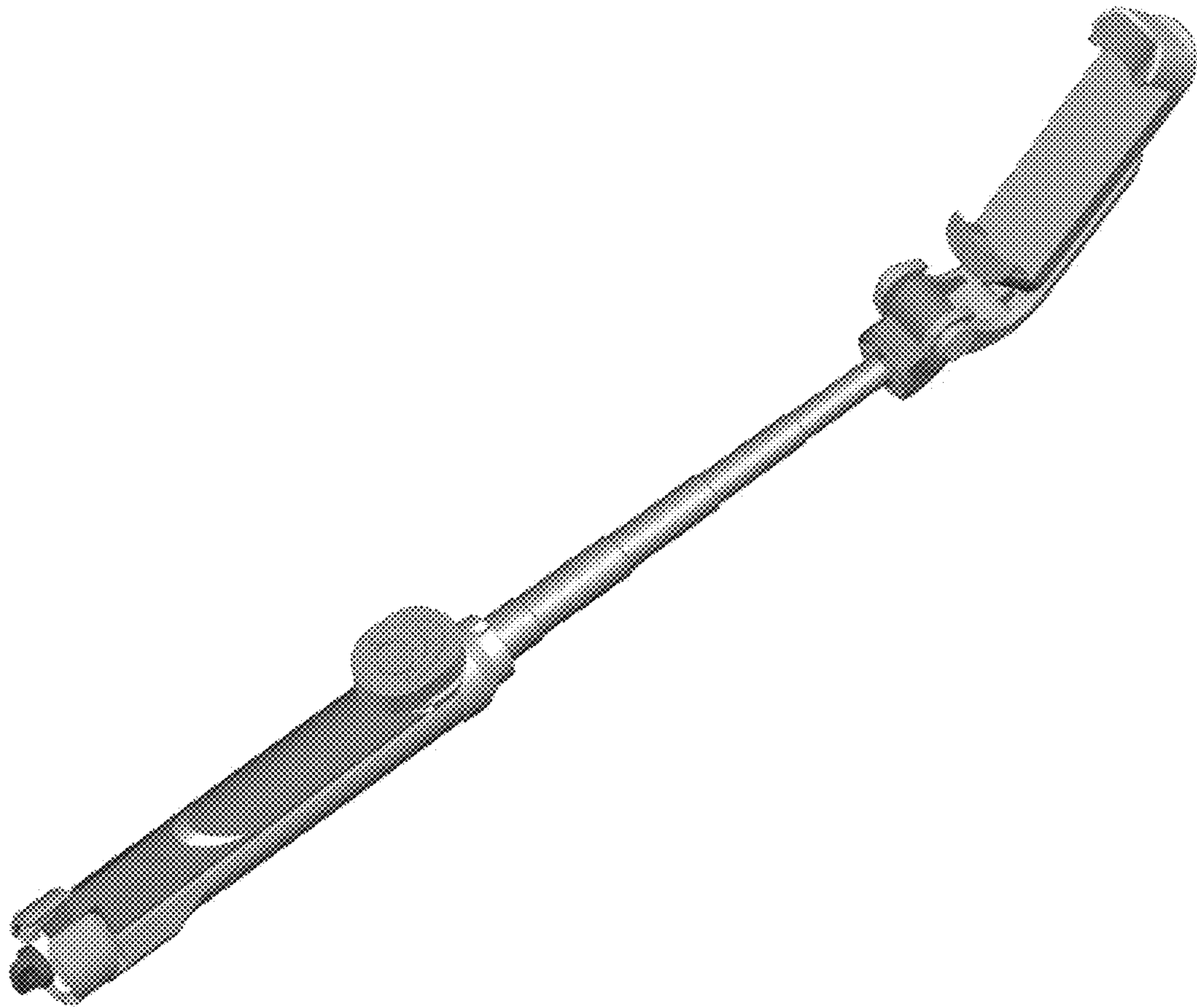


Fig. 7



Fig. 8



Fig. 9

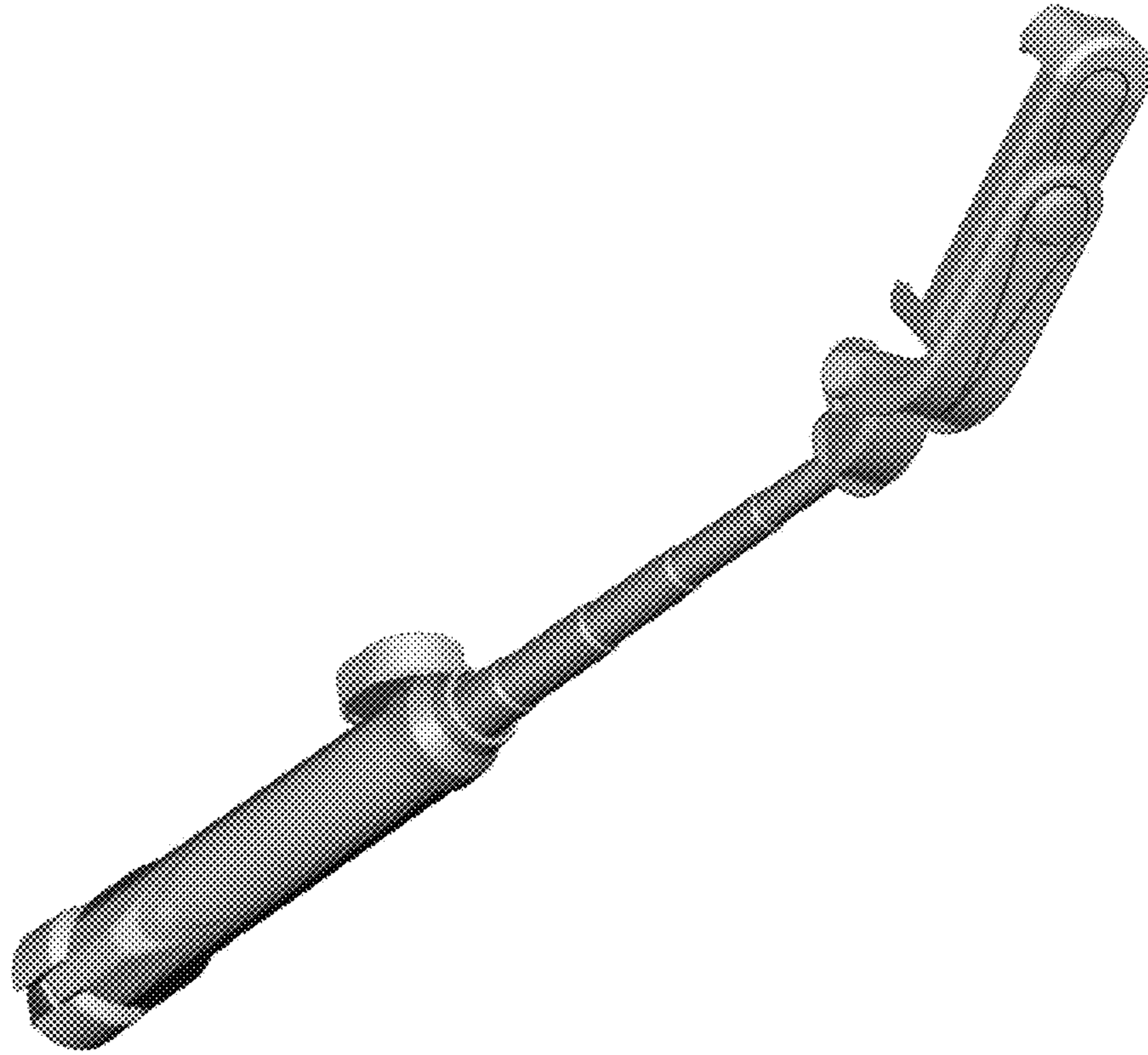


Fig. 10

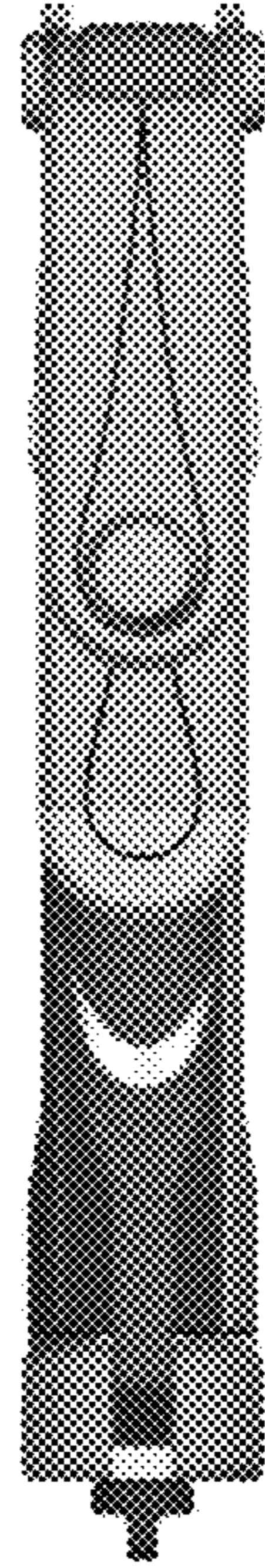


Fig. 11

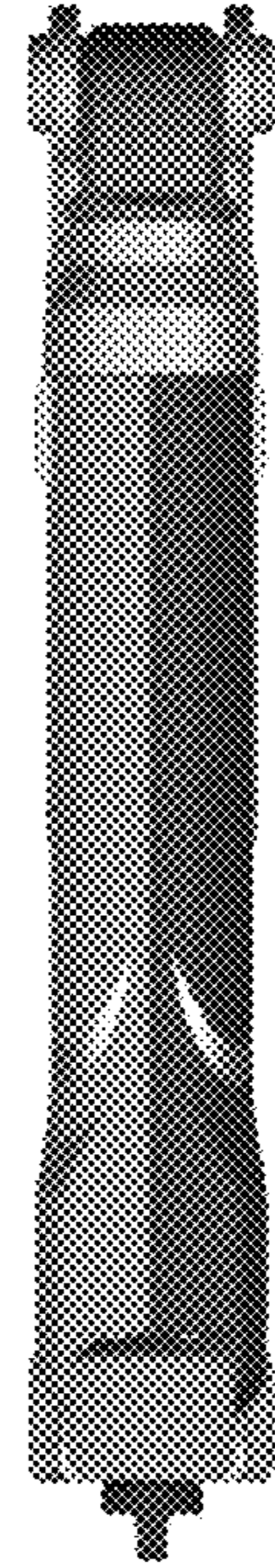


Fig. 12

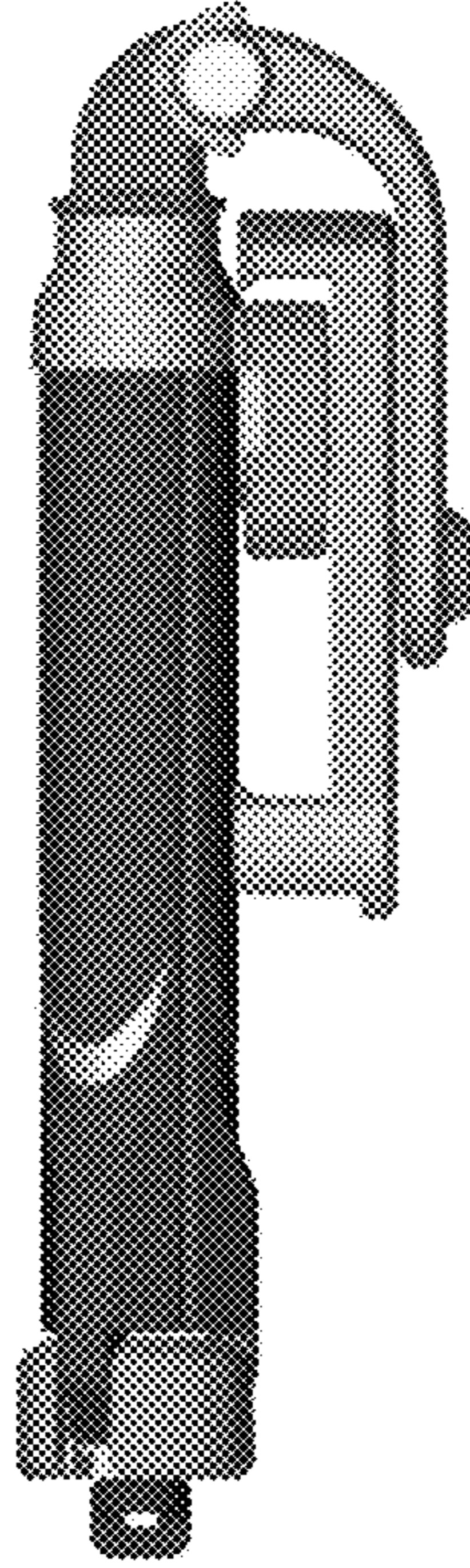


Fig. 13

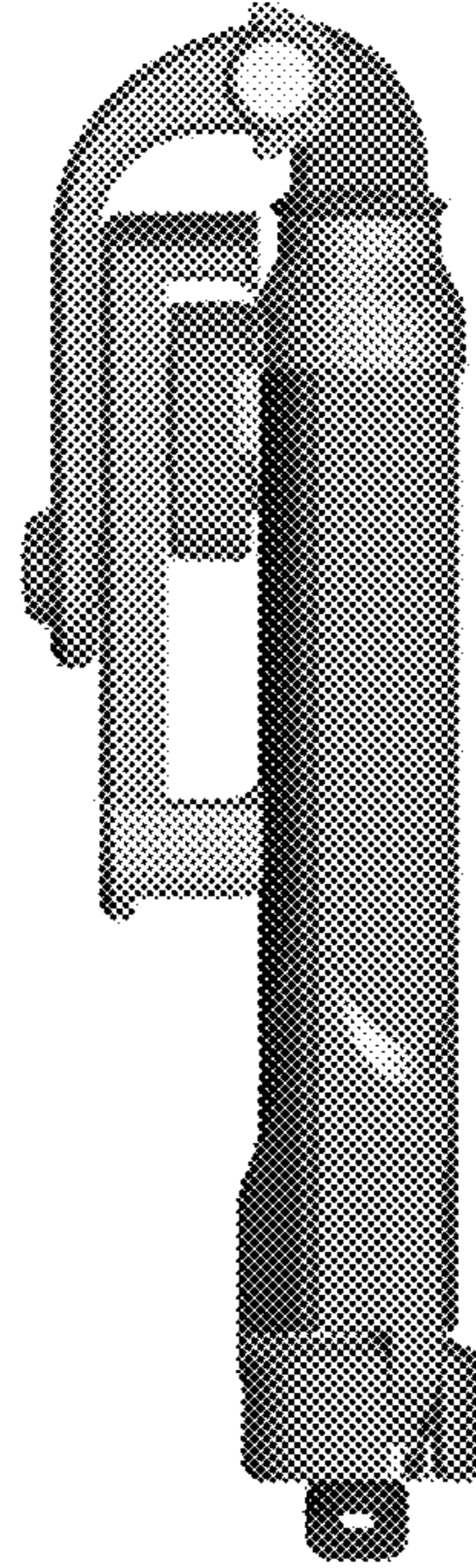


Fig. 14

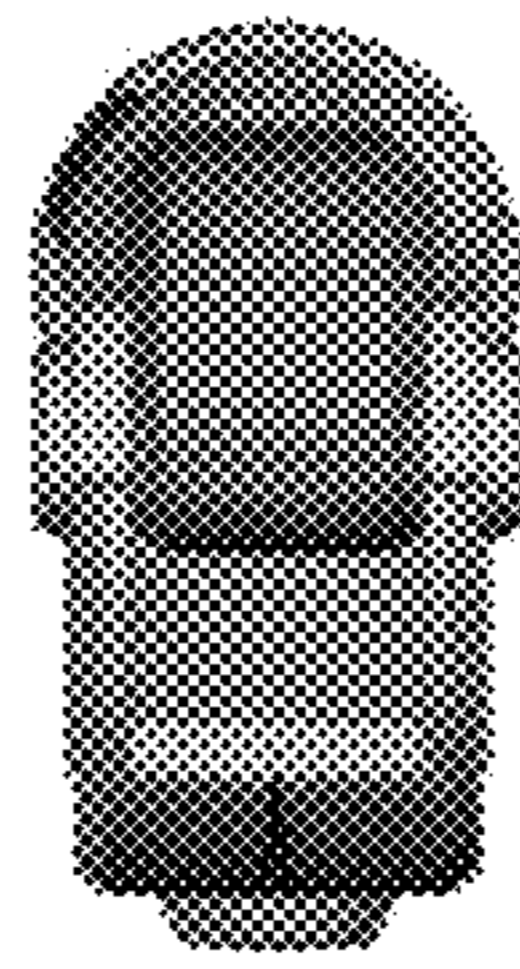


Fig. 15

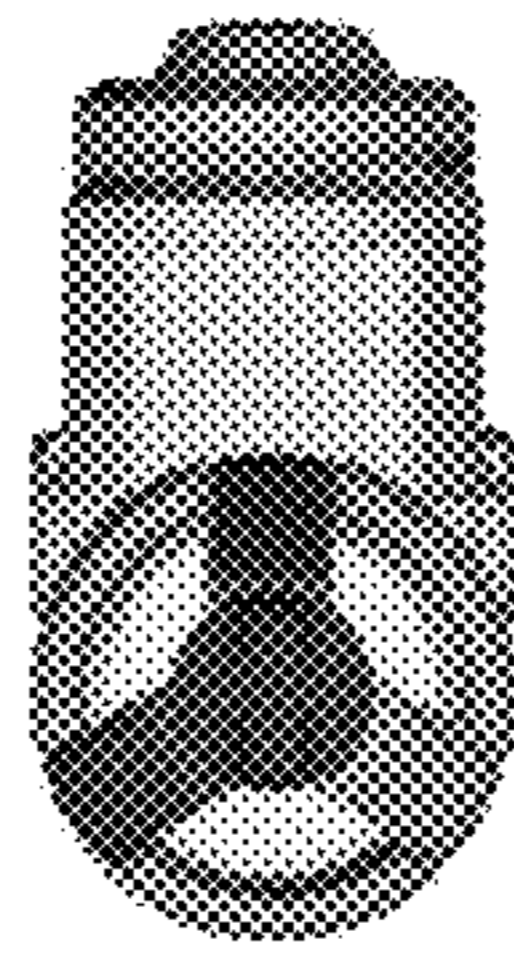


Fig. 16



Fig. 17



Fig. 18

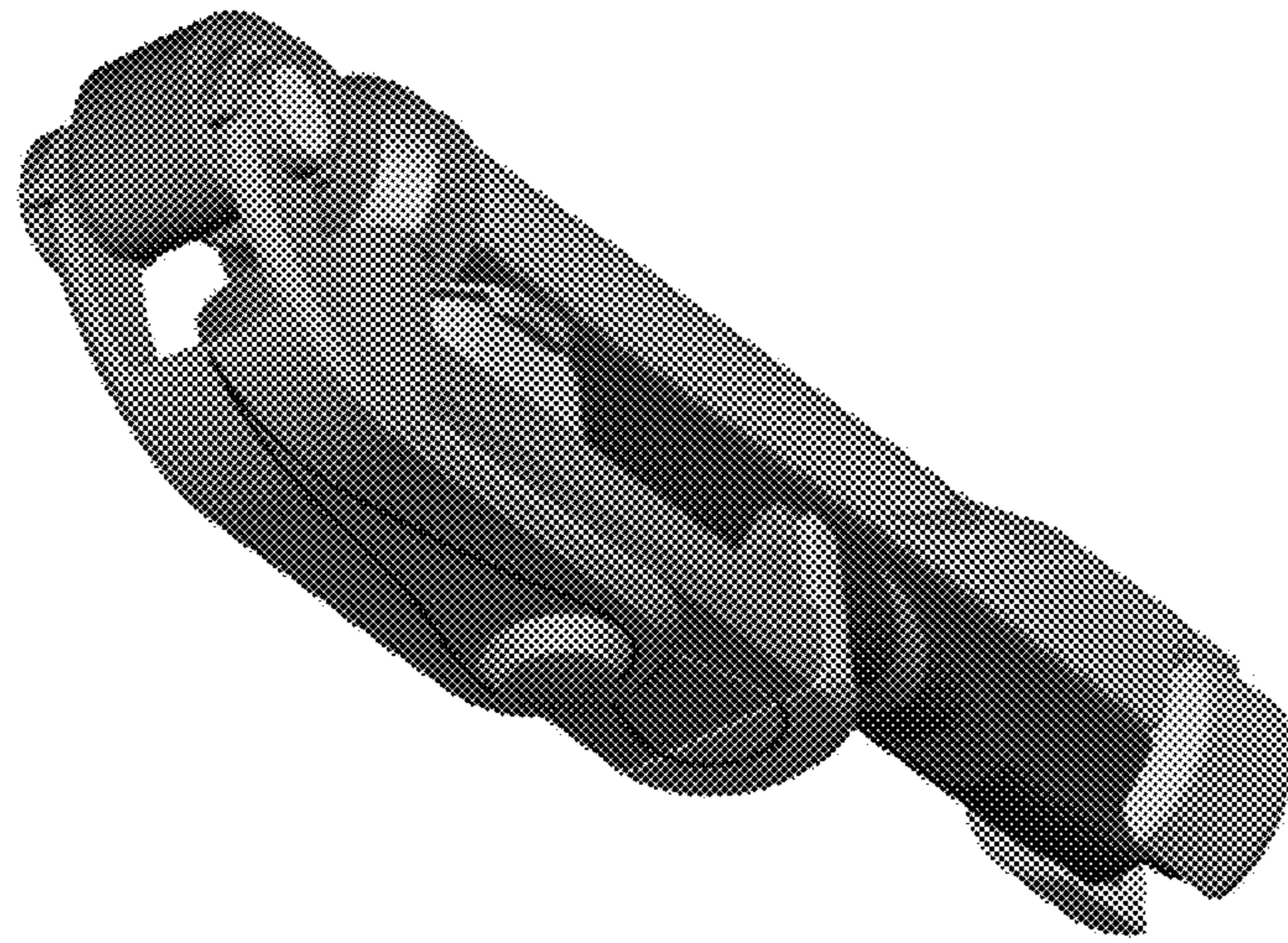


Fig. 19

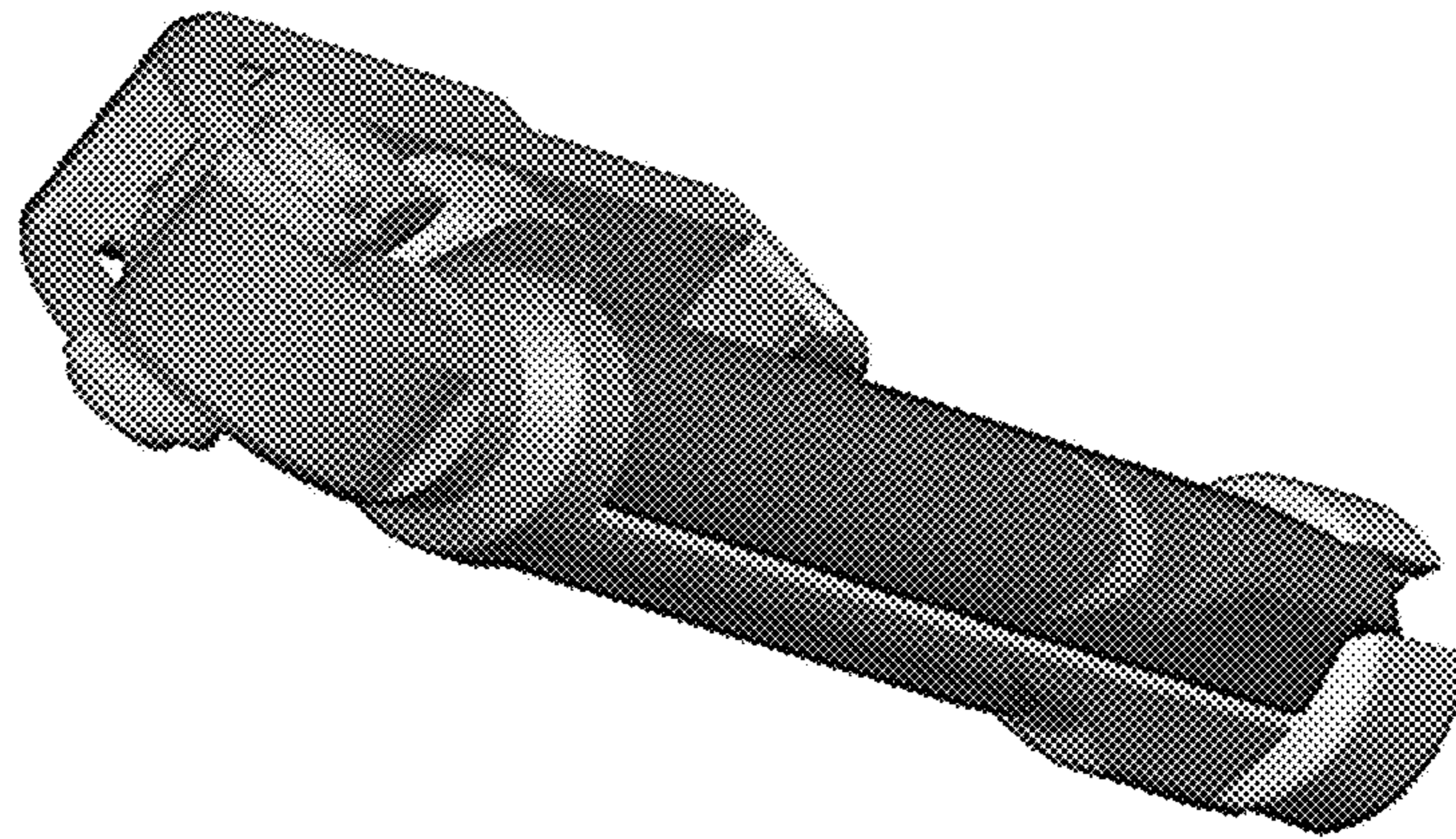


Fig. 20

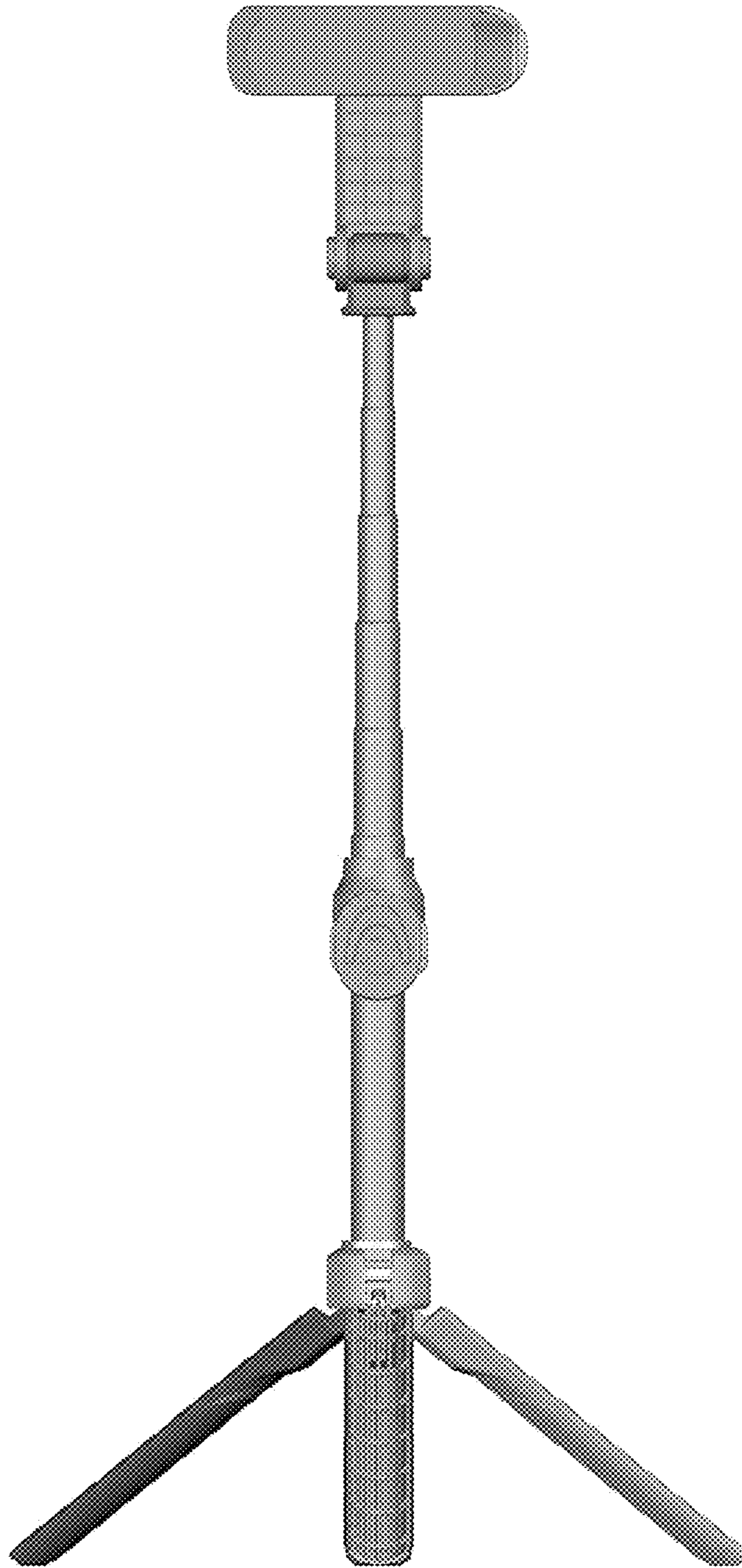


Fig. 21

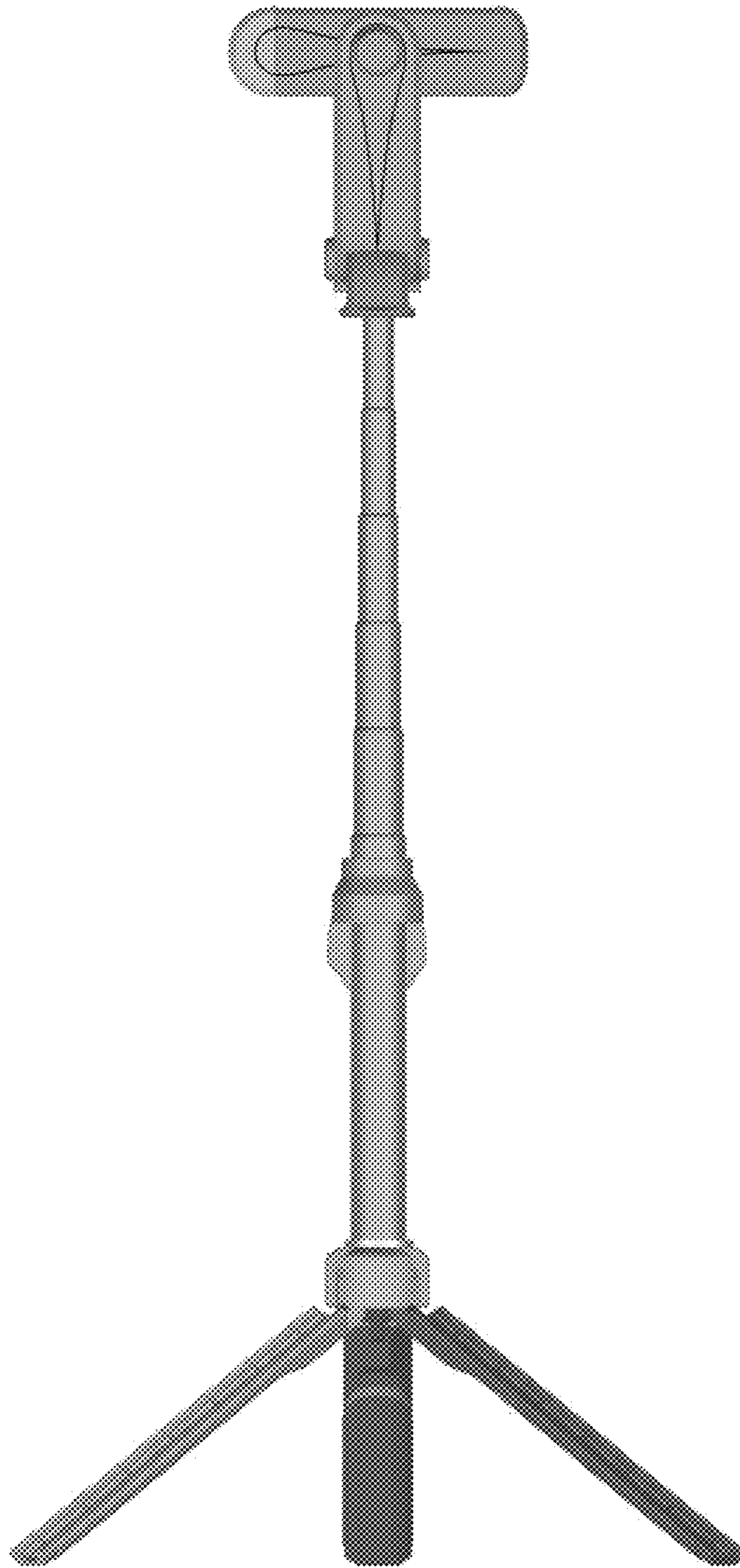


Fig. 22

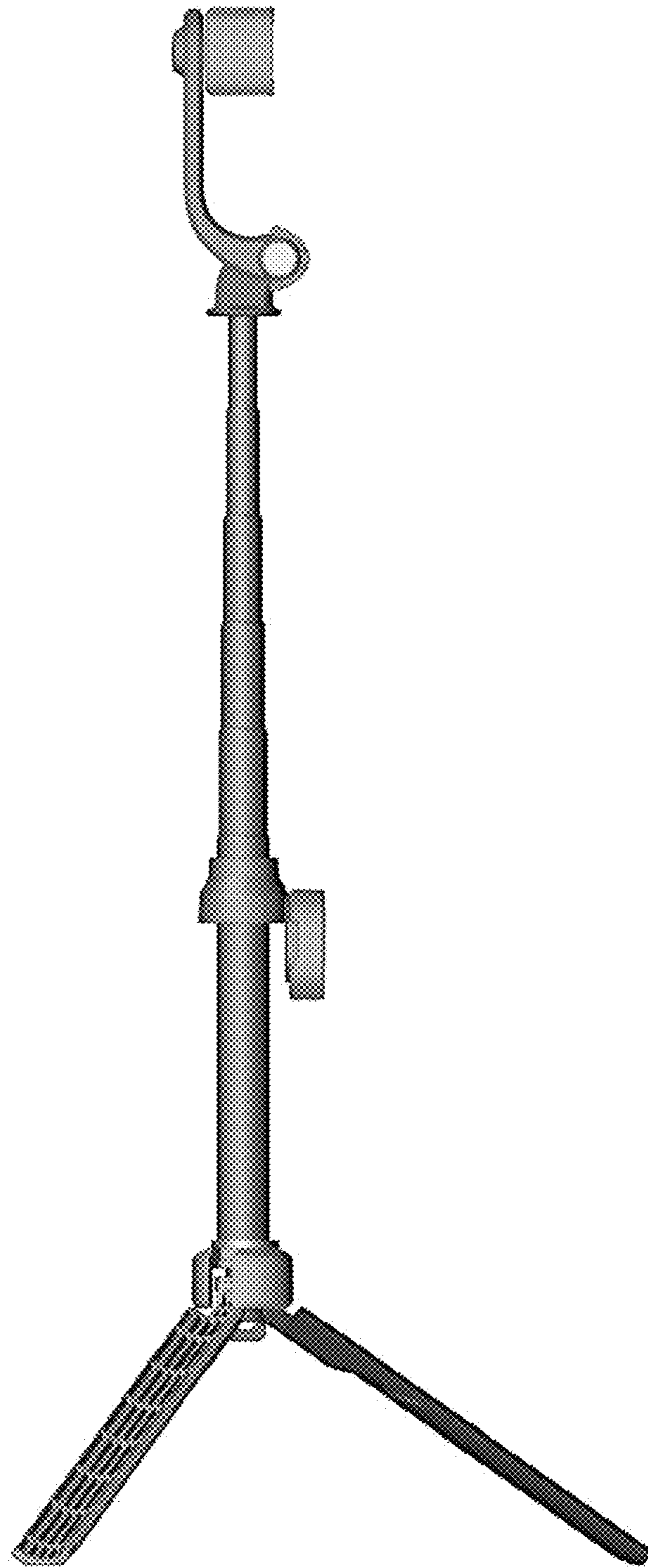


Fig. 23

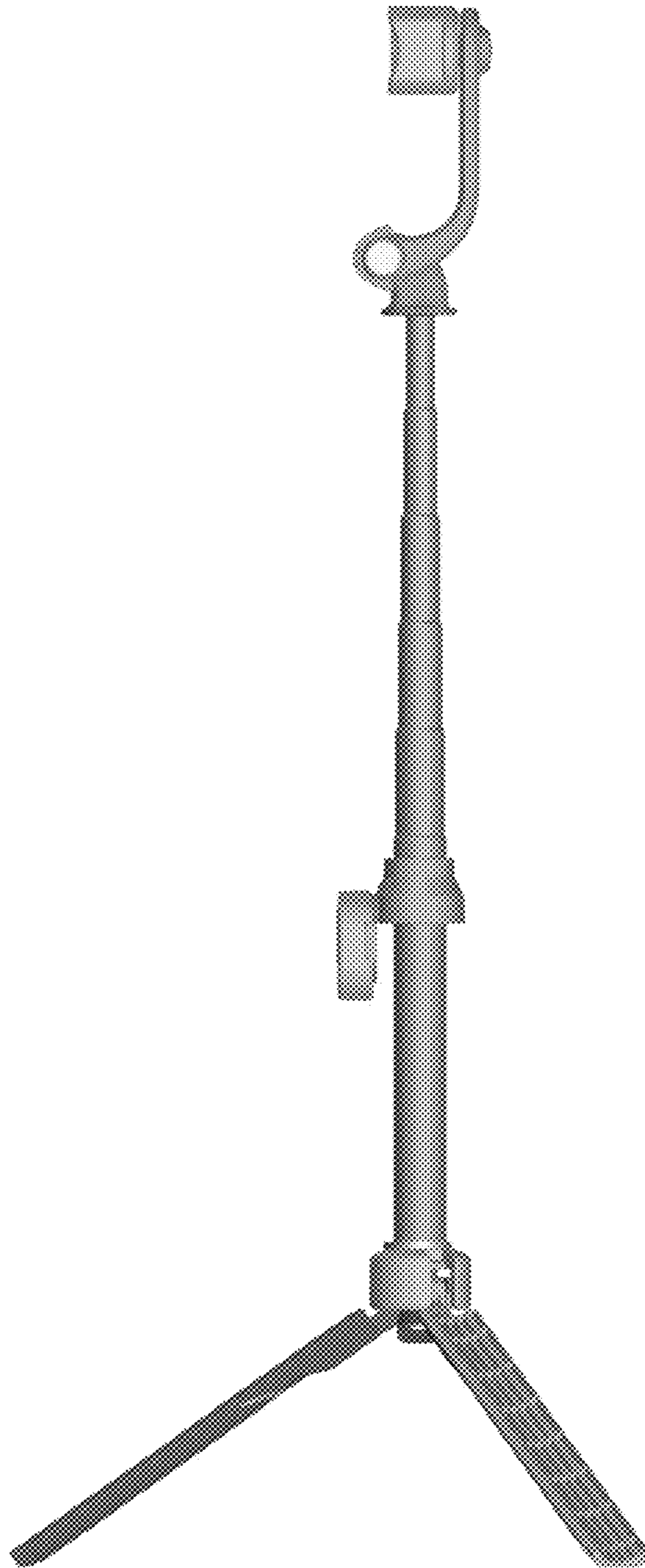


Fig. 24

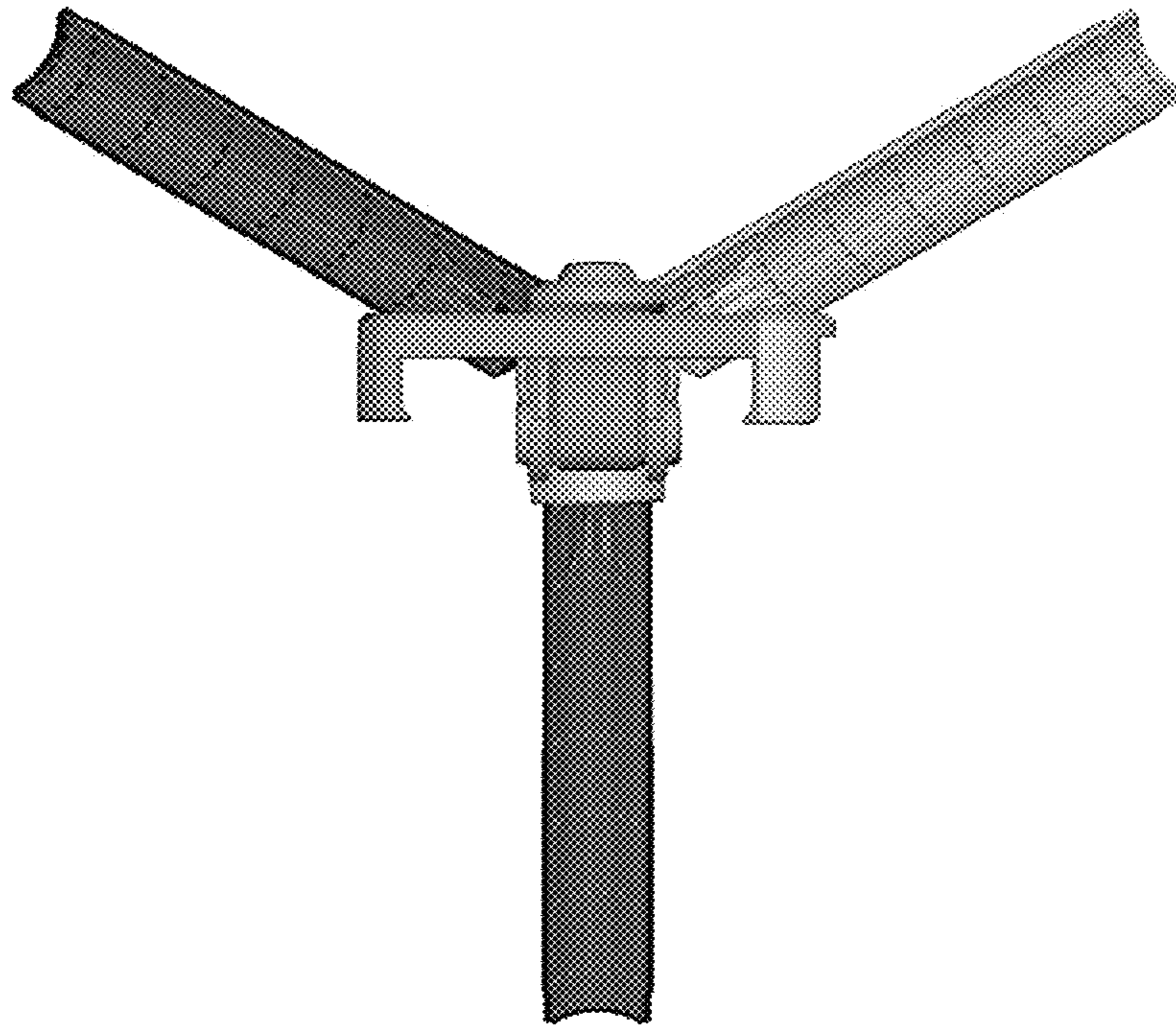


Fig. 25

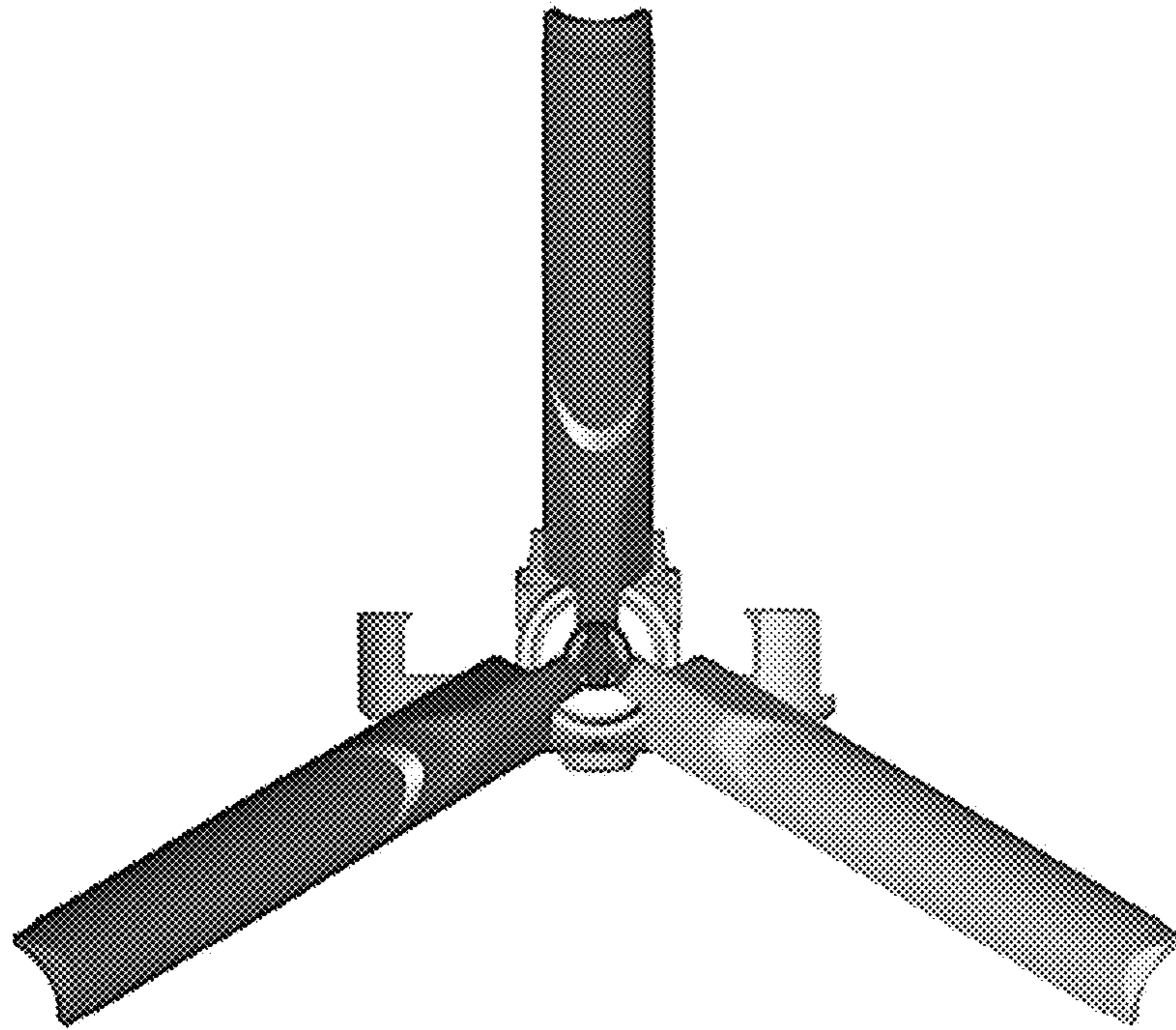


Fig .26

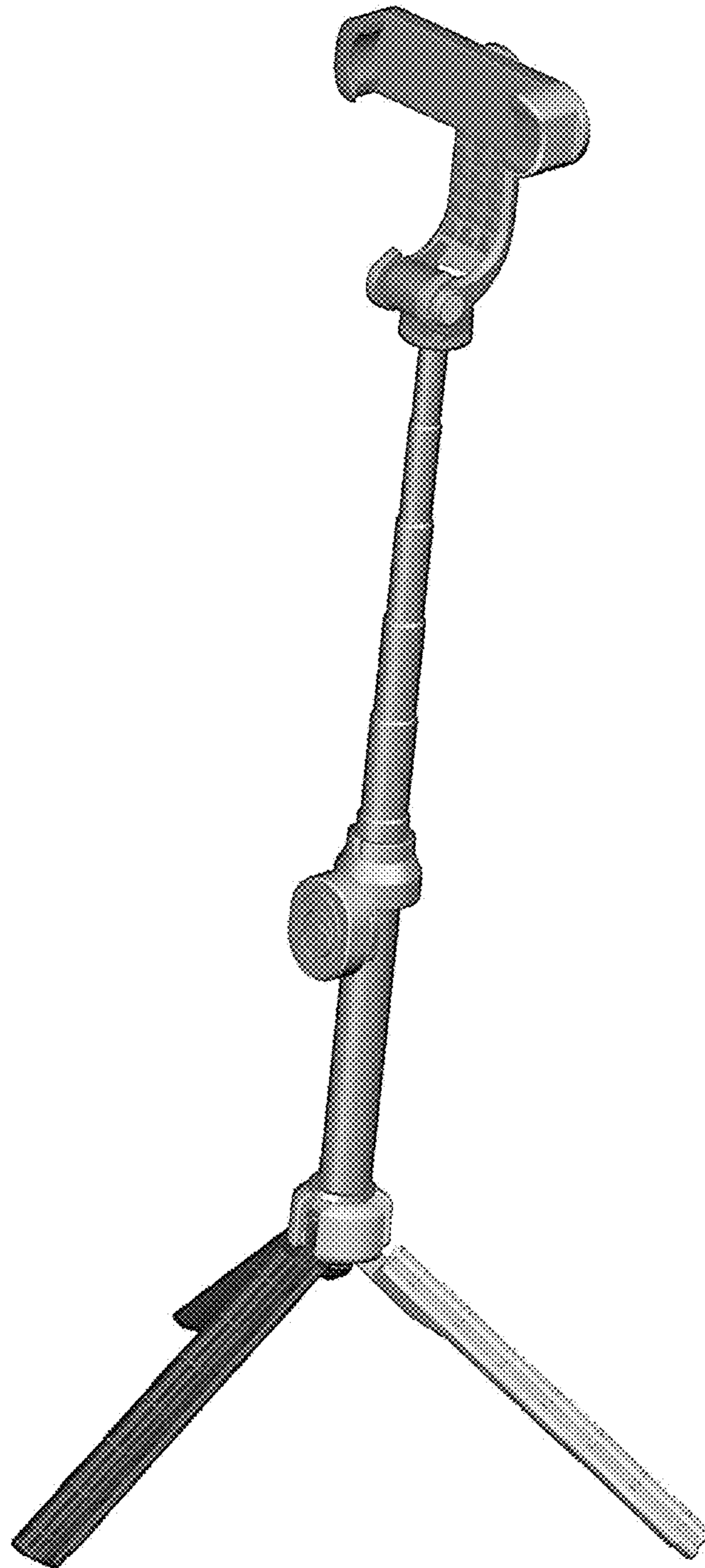


Fig. 27

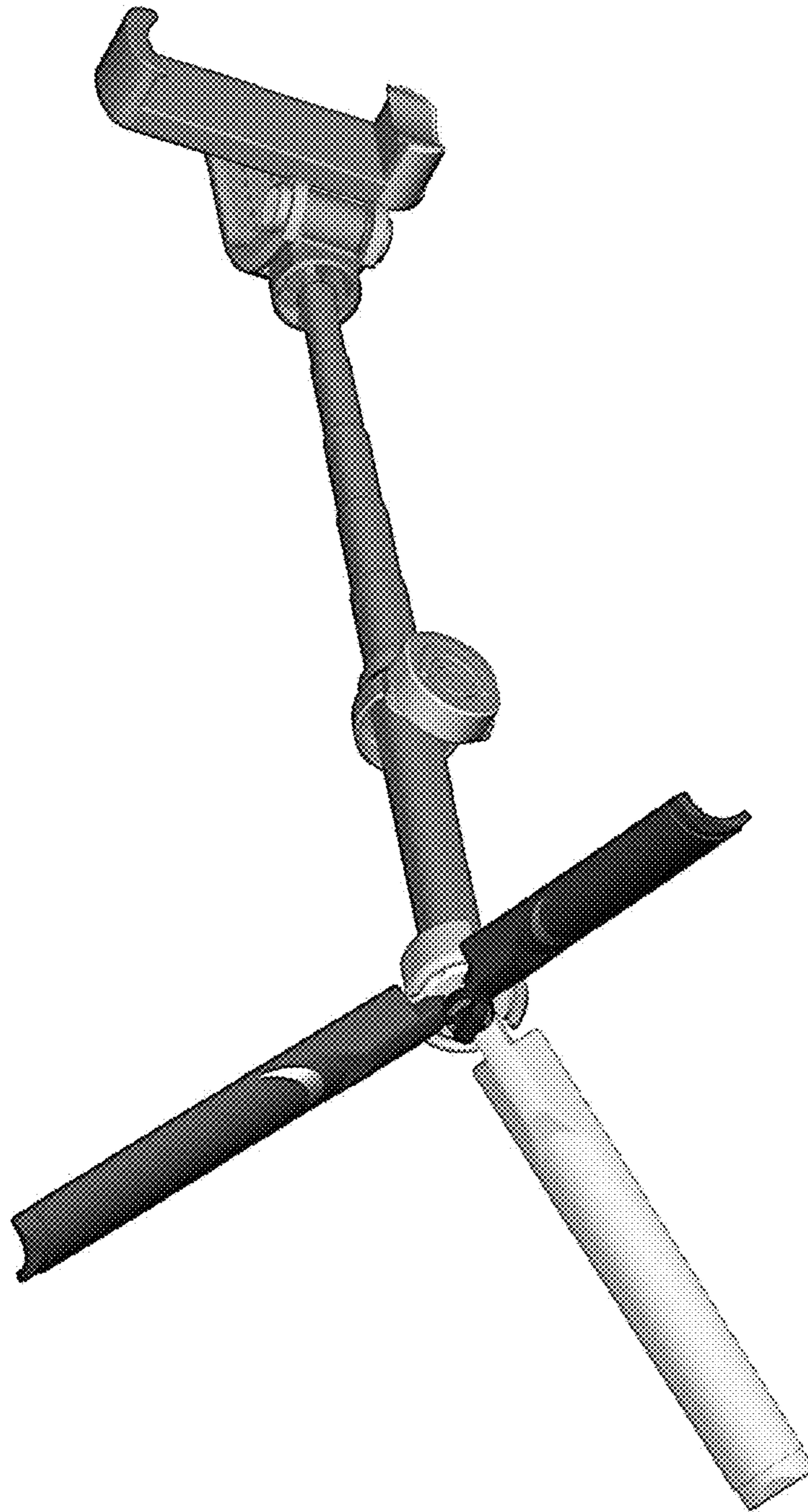


Fig. 28

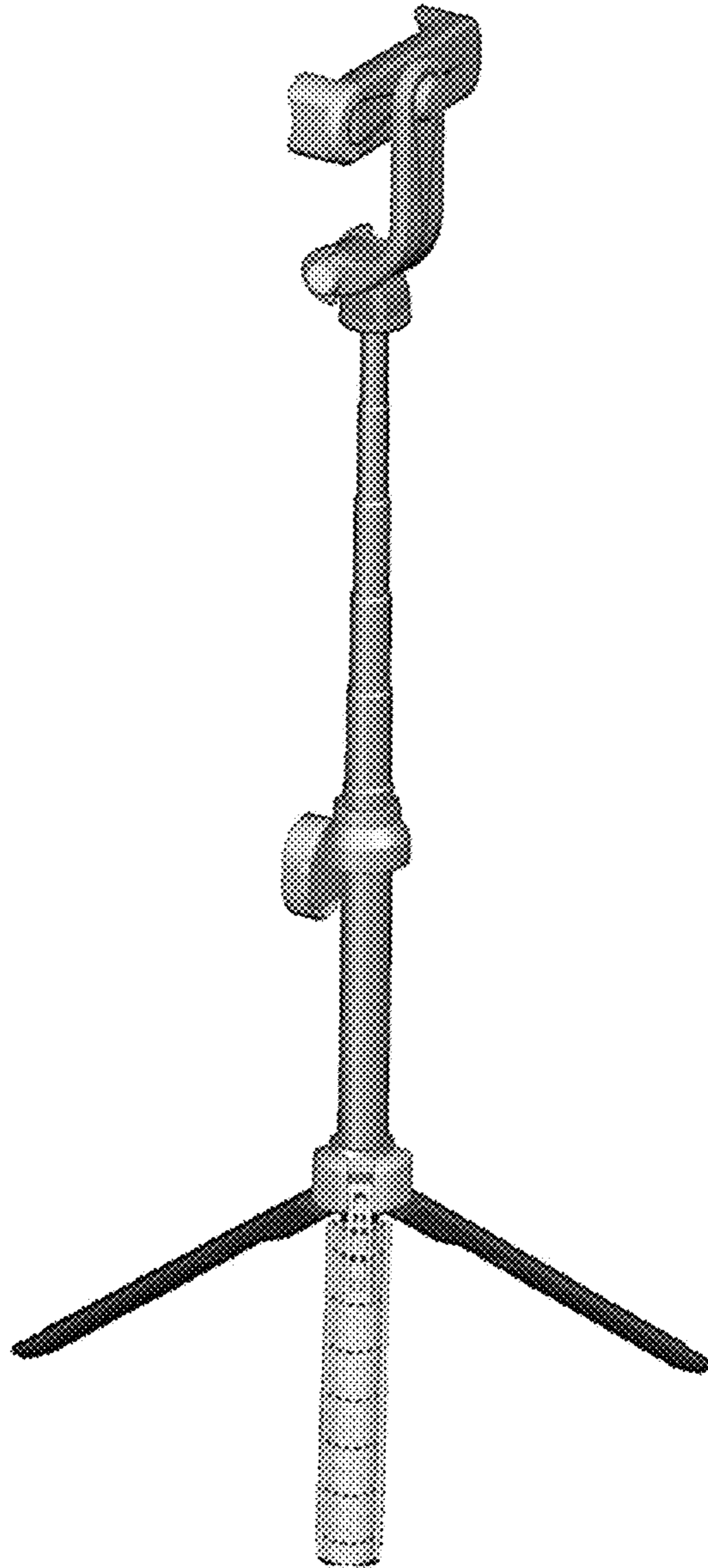


Fig. 29