



US00D852871S

(12) **United States Design Patent**  
**Wilson**

(10) **Patent No.:** **US D852,871 S**

(45) **Date of Patent:** **\*\* Jul. 2, 2019**

(54) **CAMERA QUICK-RELEASE MOUNT**

(71) Applicant: **Jeffrey Overall**, Costa Mesa, CA (US)

(72) Inventor: **Tyler Wilson**, Ponca City, OK (US)

(73) Assignee: **Jeffrey Overall**, Fountain Valley, CA (US)

(\*\*) Term: **15 Years**

(21) Appl. No.: **29/676,939**

(22) Filed: **Jan. 16, 2019**

(51) **LOC (11) Cl.** ..... **16-05**

(52) **U.S. Cl.**  
USPC ..... **D16/242**

(58) **Field of Classification Search**  
USPC ..... D16/219, 237-250; D14/224, 229, 238,  
D14/251, 253, 447, 451, 457; D8/354,  
D8/355, 363, 373, 382, 383, 394, 395,  
D8/396

CPC ..... F16M 11/06-10; A45F 5/00; A45F 5/10;  
A45F 2200/0508-0533

See application file for complete search history.

(56) **References Cited**

**U.S. PATENT DOCUMENTS**

D315,719 S	3/1991	Cusumano	
D399,230 S *	10/1998	Tenne	D16/245
D506,493 S *	6/2005	Naito	D13/133
D576,659 S	9/2008	Bevirt	
D602,974 S	10/2009	Zen	
D604,352 S	11/2009	Carlesso	
D616,913 S	6/2010	Lee	
D621,436 S *	8/2010	Chidester	D16/245
D621,865 S *	8/2010	Chidester	D16/245
D649,576 S *	11/2011	Jannard	D16/242
D701,111 S	3/2014	Bianco et al.	

D711,867 S *	8/2014	Harris	D14/253
D725,645 S	3/2015	Schulter	
9,081,256 B2	7/2015	Dering	
D741,940 S *	10/2015	Kessler	D16/242
D752,677 S *	3/2016	Fliger	D16/242
D797,179 S	9/2017	Dordick	
D800,822 S *	10/2017	Costa	D16/242
D800,823 S *	10/2017	Druker	D16/242
D829,809 S *	10/2018	Harrison	D16/245

**OTHER PUBLICATIONS**

Peak Design Capture Camera Clip V3. [online] Retrieved Mar. 27, 2019 from URL: [https://www.bhphotovideo.com/c/product/1372683-REG/peak\\_design\\_cp\\_bk\\_3\\_capture\\_camera\\_clip\\_black.html](https://www.bhphotovideo.com/c/product/1372683-REG/peak_design_cp_bk_3_capture_camera_clip_black.html).\*

\* cited by examiner

*Primary Examiner* — Vy N Koenig

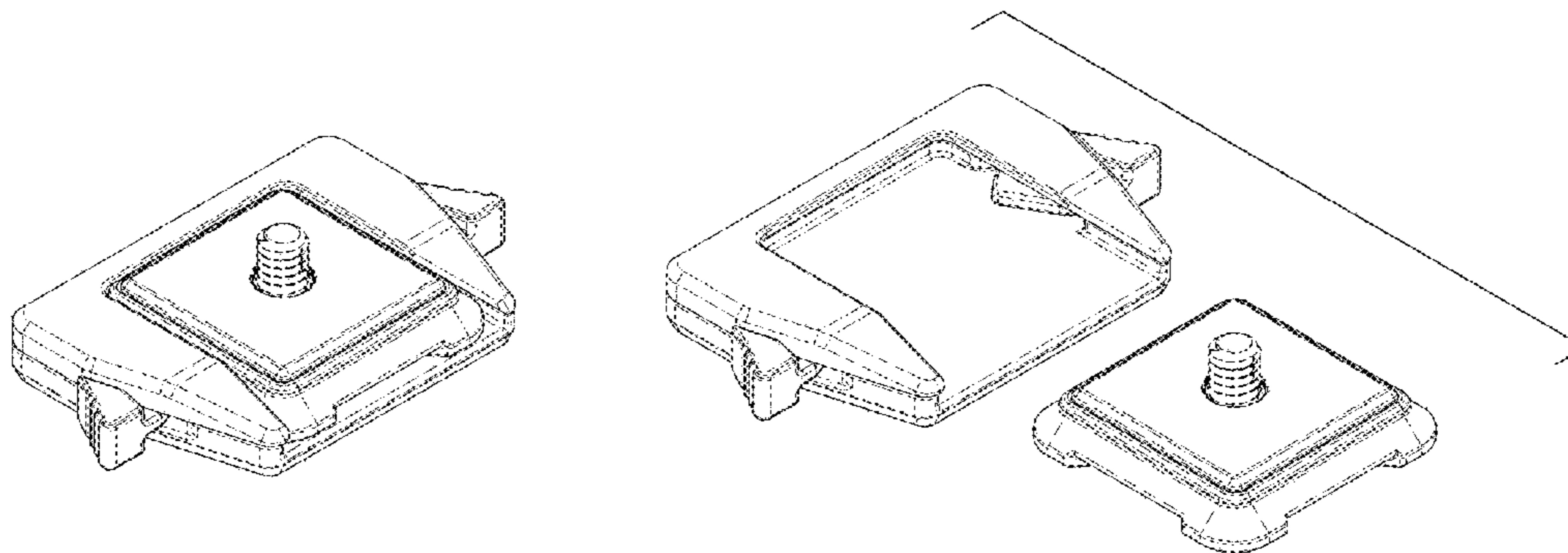
(57) **CLAIM**

The ornamental design for a camera quick-release mount, as shown and described.

**DESCRIPTION**

FIG. 1 is a top left perspective view of a camera quick-release mount;  
FIG. 2 is a front view thereof;  
FIG. 3 is a back view thereof;  
FIG. 4 is a top view thereof;  
FIG. 5 is a bottom view thereof;  
FIG. 6 is a right side view thereof;  
FIG. 7 is a left side view thereof; and,  
FIG. 8 is a top left perspective view of the camera quick-release mount disassembled.  
Broken lines in the drawing depict portions of the camera quick-release mount that form no part of the claimed design.

**1 Claim, 3 Drawing Sheets**



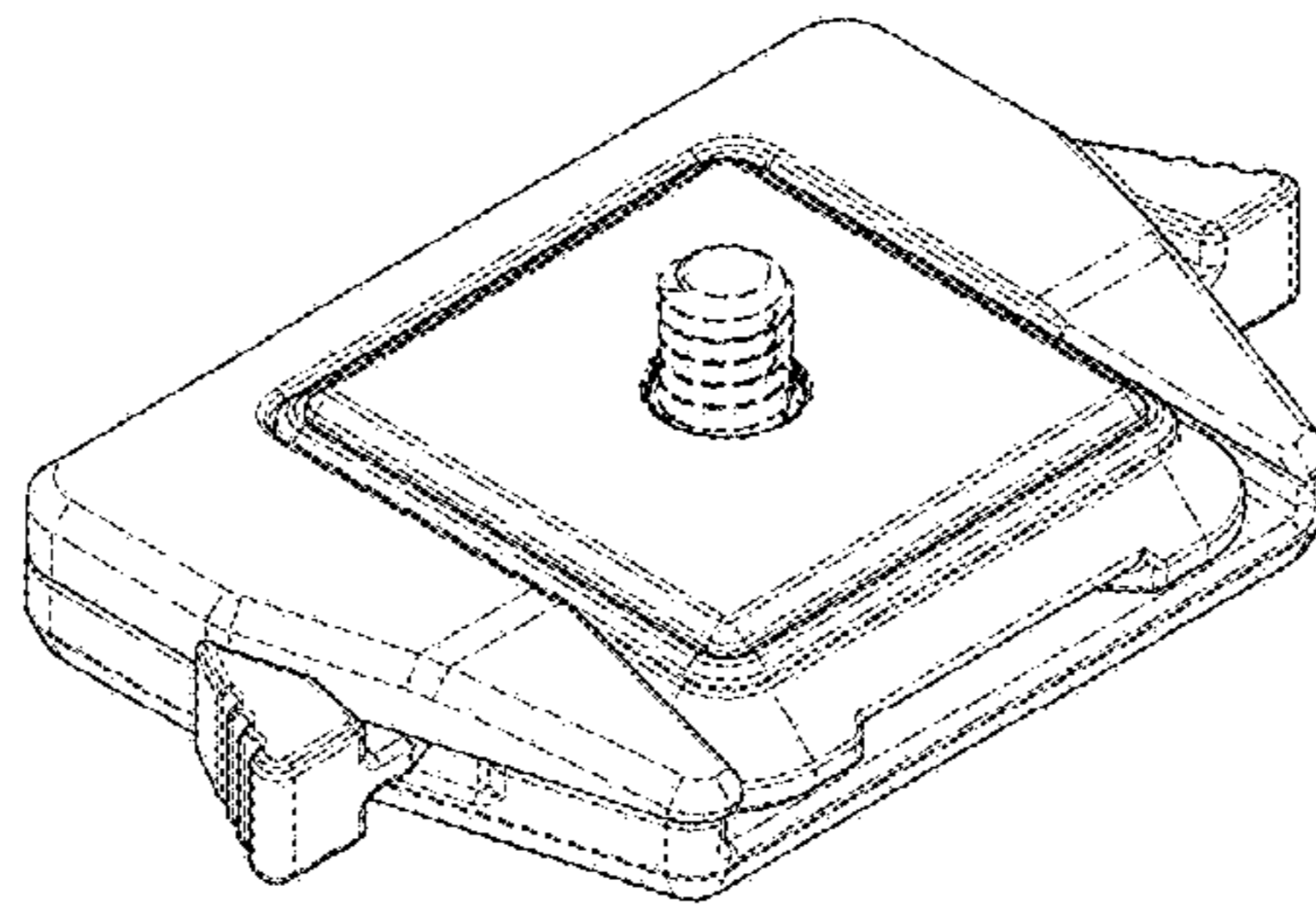


FIG. 1

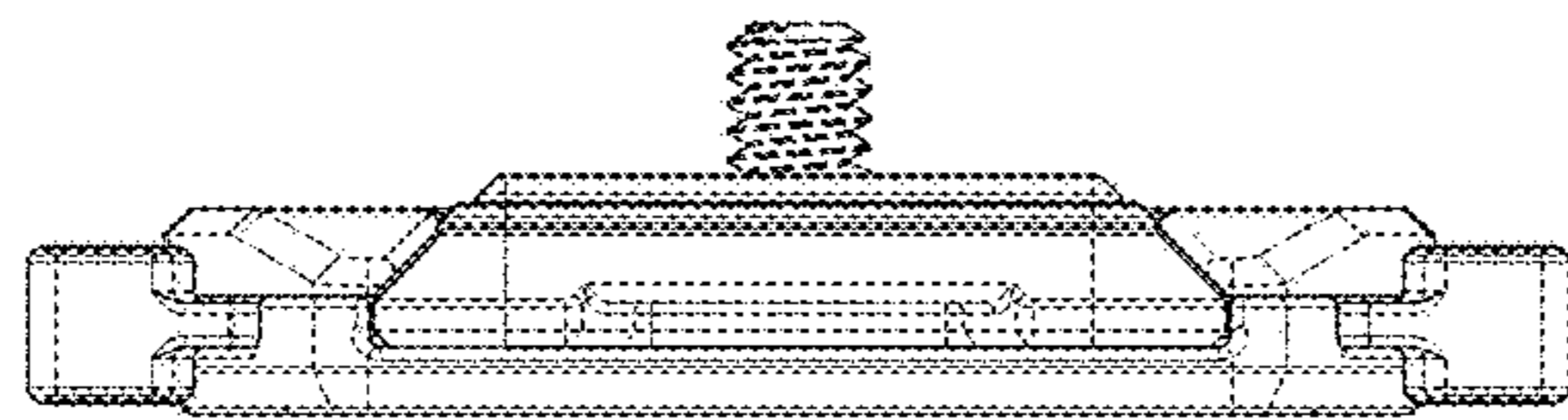


FIG. 2

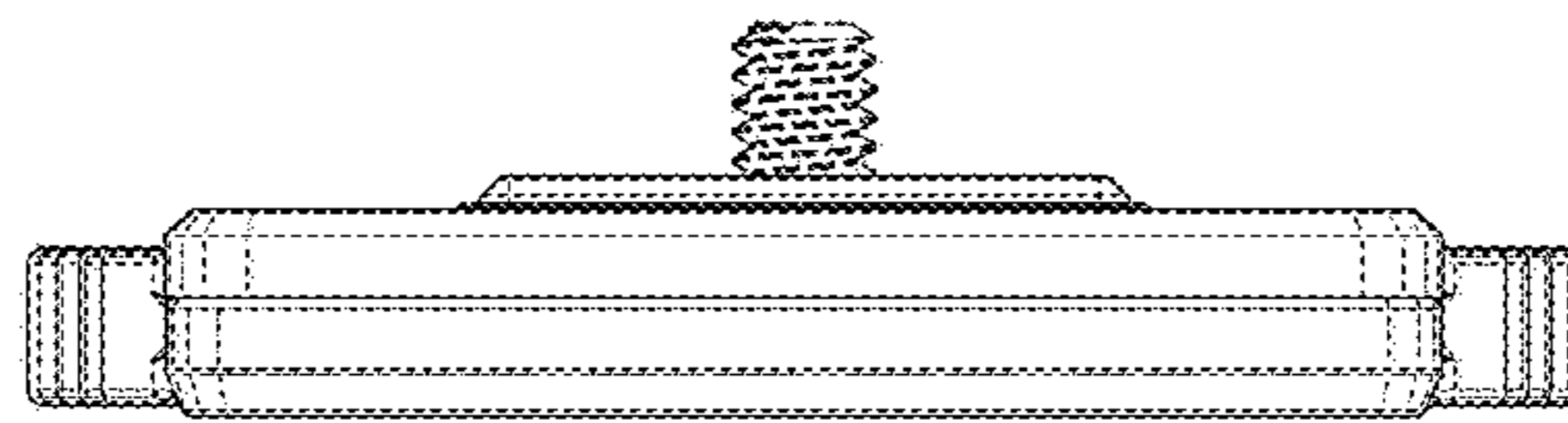


FIG. 3

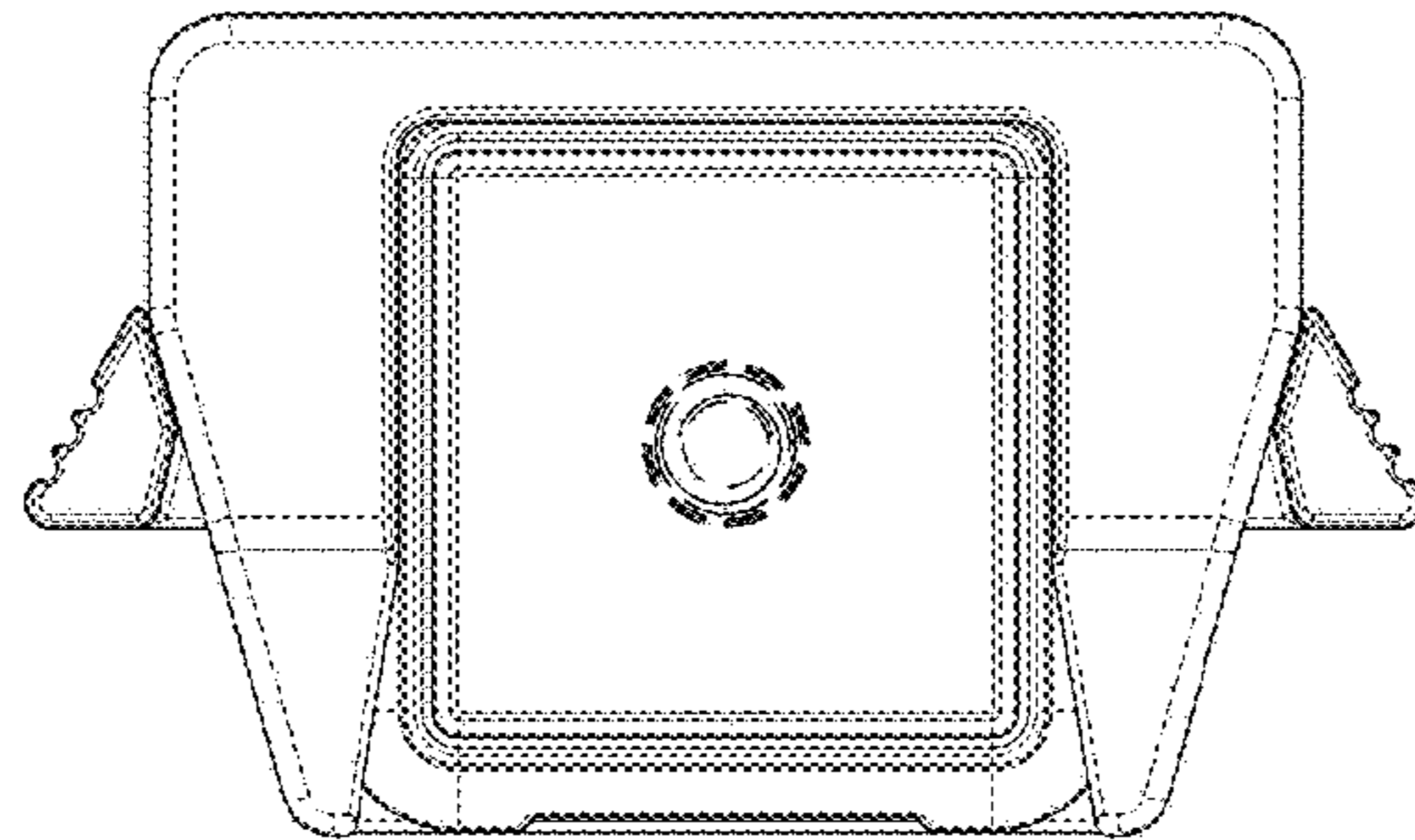


FIG. 4

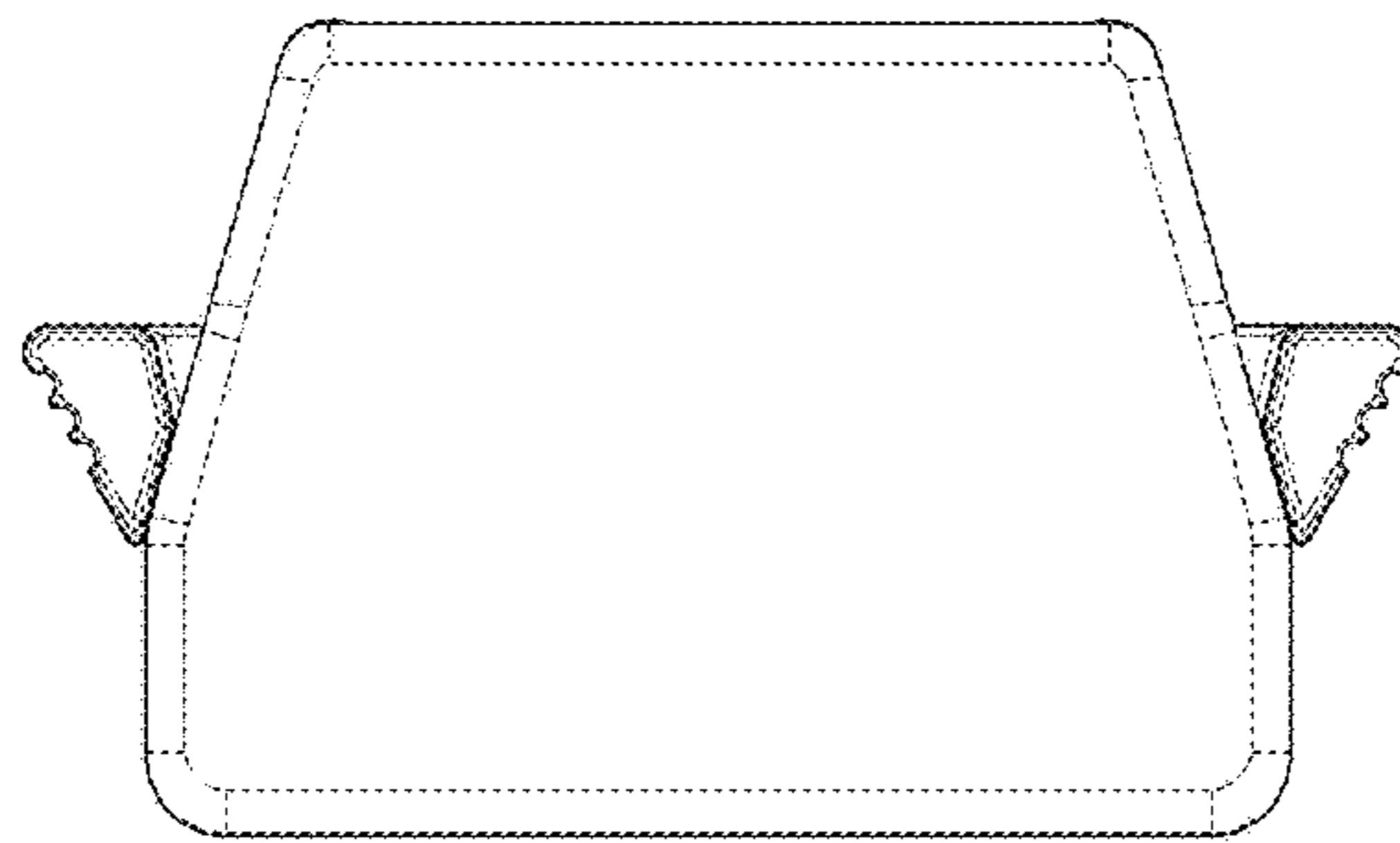


FIG. 5

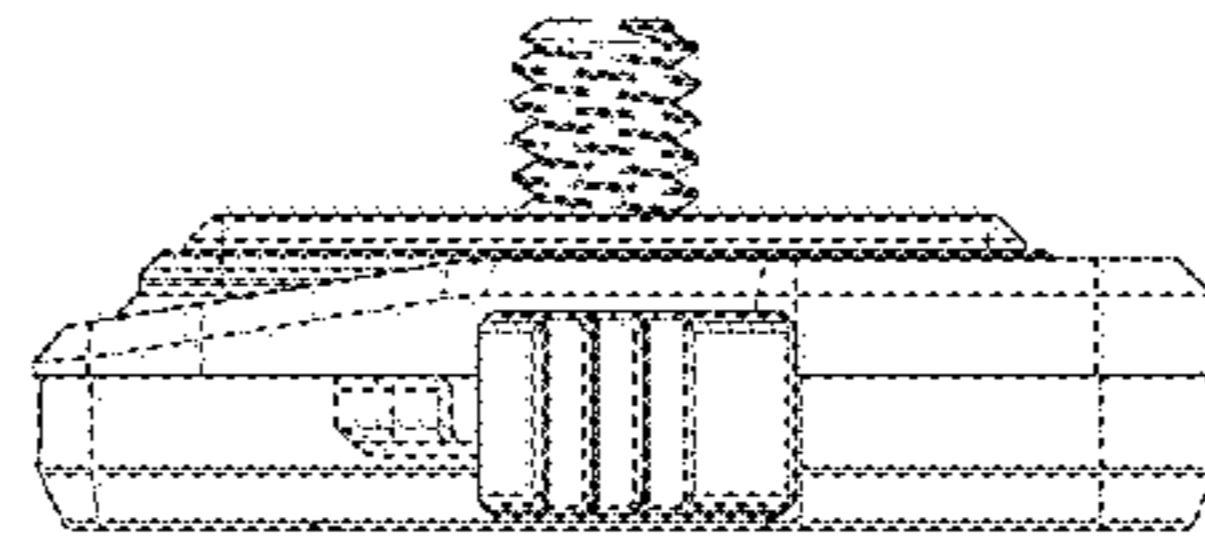


FIG. 6

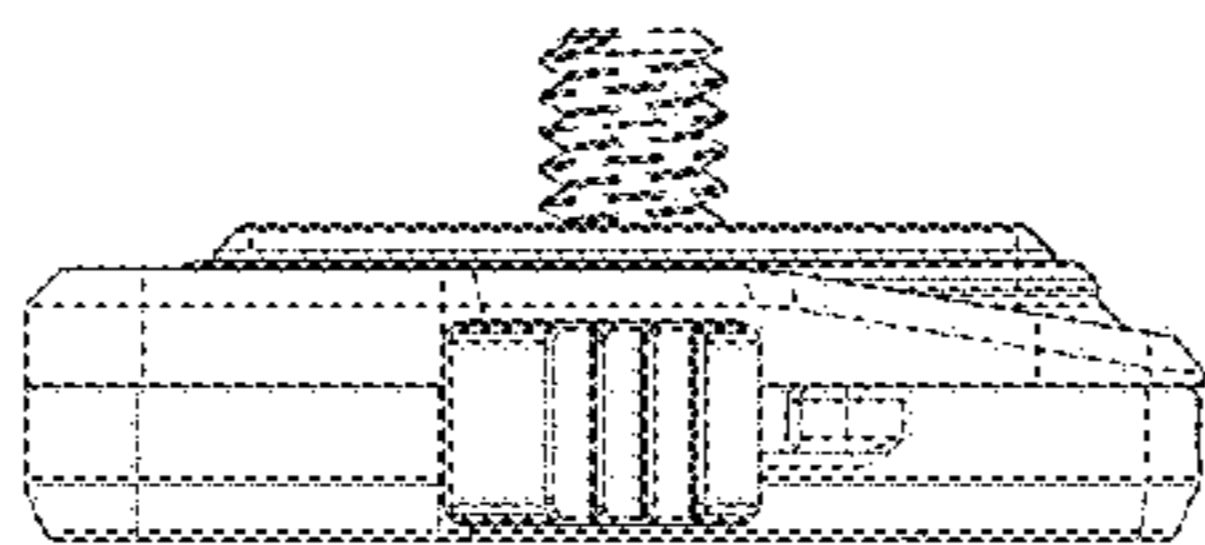


FIG. 7

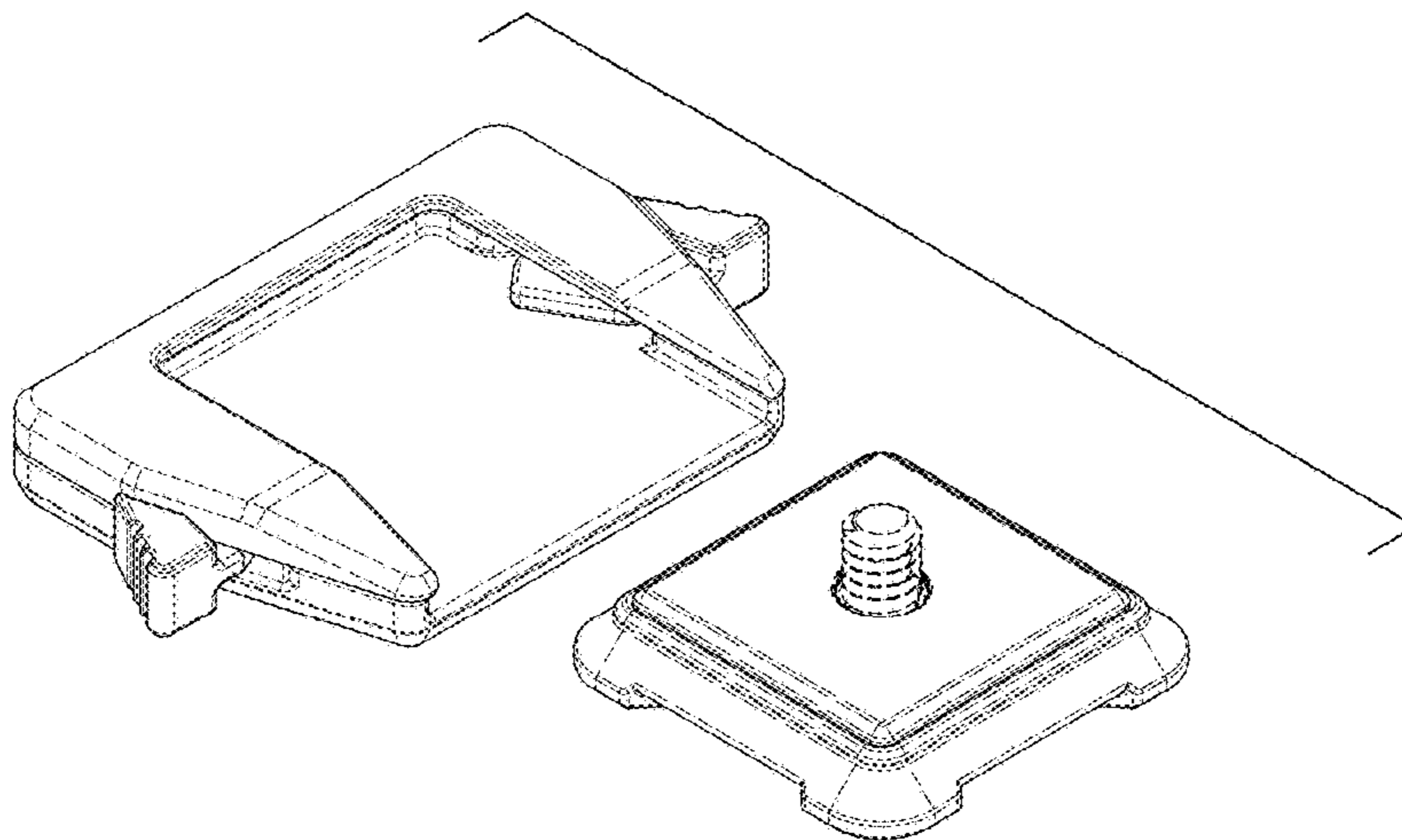


FIG. 8