



US00D852869S

(12) **United States Design Patent**
Huang

(10) **Patent No.:** **US D852,869 S**

(45) **Date of Patent:** **** Jul. 2, 2019**

(54) **VIDEO SURVEILLANCE CAMERA**

(71) Applicant: **PHILIO TECHNOLOGY CORPORATION**, New Taipei (TW)

(72) Inventor: **Cheng-Hung Huang**, New Taipei (TW)

(73) Assignee: **PHILIO TECHNOLOGY CORPORATION**, New Taipei (TW)

(**) Term: **15 Years**

(21) Appl. No.: **29/600,210**

(22) Filed: **Apr. 10, 2017**

(51) **LOC (11) Cl.** **16-01**

(52) **U.S. Cl.**
USPC **D16/203**

(58) **Field of Classification Search**

USPC D16/200, 202–206, 208, 218, 219, 242;
348/143, 148, 151, 373–376; 396/419,
396/427, 535, 539–541
CPC G03B 17/02; G03B 19/04; G03B 17/56;
G03B 17/04; G03B 15/03; H04N 5/2251;
H04N 5/2252; H04N 5/2253; H04N
5/2254; H04N 7/181; H04N 7/183; H04N
7/18; G08B 13/1963; G08B 13/19619;
G08B 13/19632; F16M 11/04; F16M
13/00

See application file for complete search history.

(56) **References Cited**

U.S. PATENT DOCUMENTS

D416,273 S * 11/1999 Yamakawa D16/203
D657,410 S * 4/2012 Helaoui D16/203

D719,994 S * 12/2014 Wang D16/203
D729,861 S * 5/2015 Huang D16/203
D742,447 S * 11/2015 Stark D16/203
D766,352 S * 9/2016 Hinkel D16/203
D769,347 S * 10/2016 Hinkel D16/203
D786,330 S * 5/2017 Tasselli D16/203
D796,566 S * 9/2017 Bingleman D16/203
D798,933 S * 10/2017 Little D16/203
D815,178 S * 4/2018 Larsson D16/203
D822,088 S * 7/2018 Park D16/203
D822,089 S * 7/2018 Park D16/203

* cited by examiner

Primary Examiner — Ramzi S Almatrahi

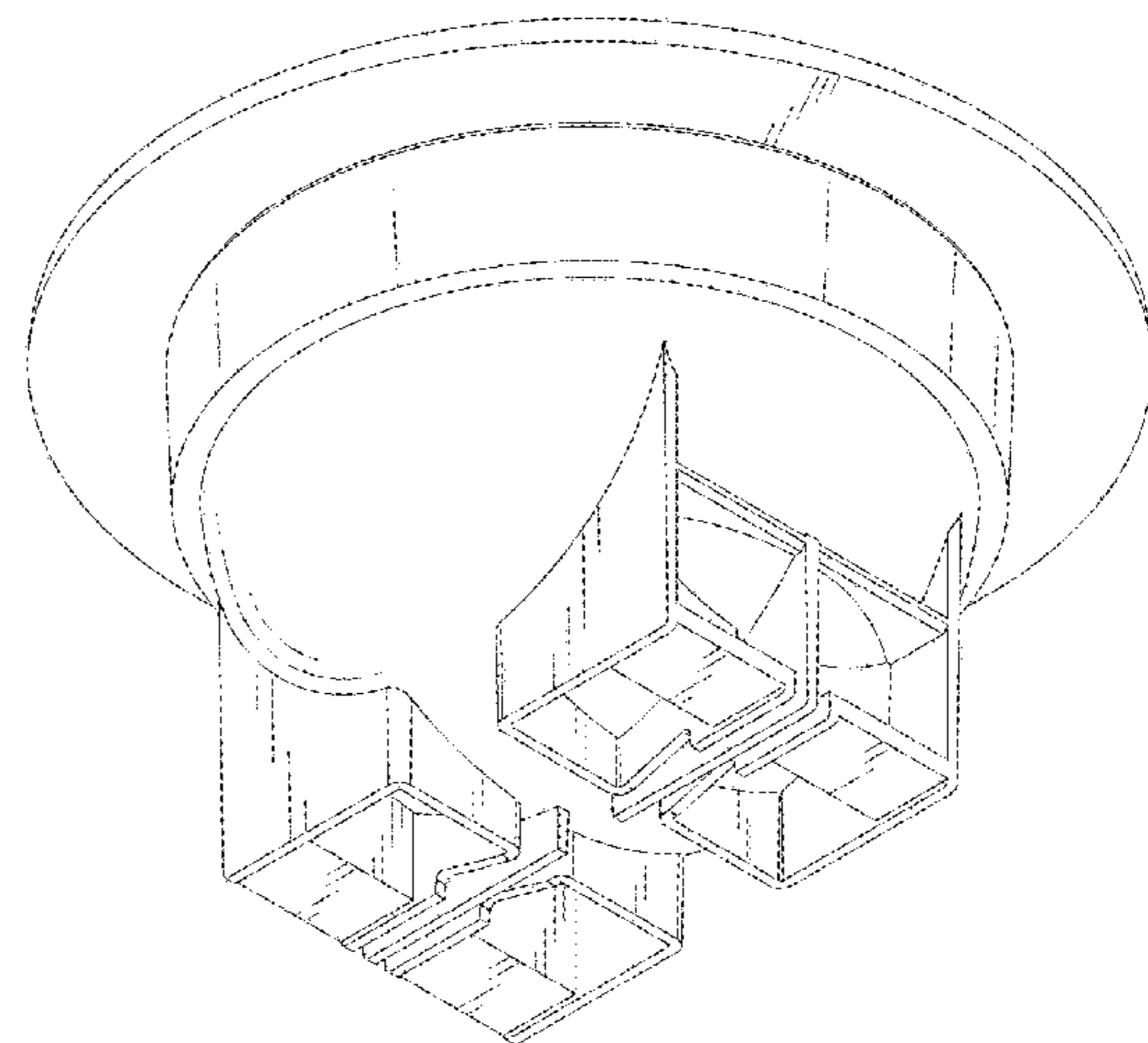
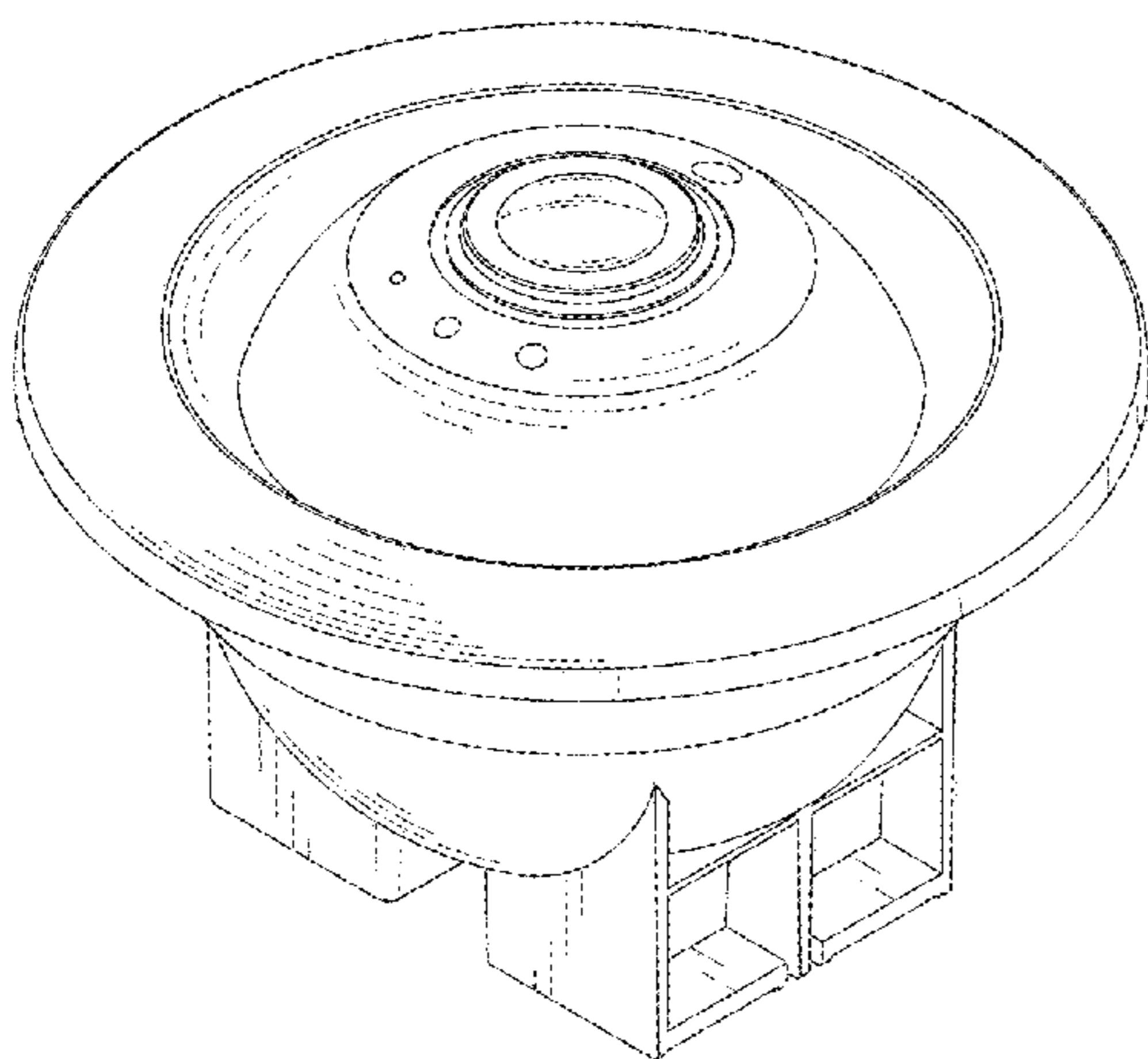
(57) **CLAIM**

The ornamental design for a video surveillance camera, as shown and described.

DESCRIPTION

FIG. 1 is a top perspective view of a video surveillance camera showing my new design;
FIG. 2 is a front elevational view thereof;
FIG. 3 is a rear elevational view thereof;
FIG. 4 is a left side elevational view thereof;
FIG. 5 is a right side elevational view thereof;
FIG. 6 is a top plan view thereof;
FIG. 7 is a bottom plan view thereof; and,
FIG. 8 is a bottom perspective view of a video surveillance camera thereof.

1 Claim, 8 Drawing Sheets



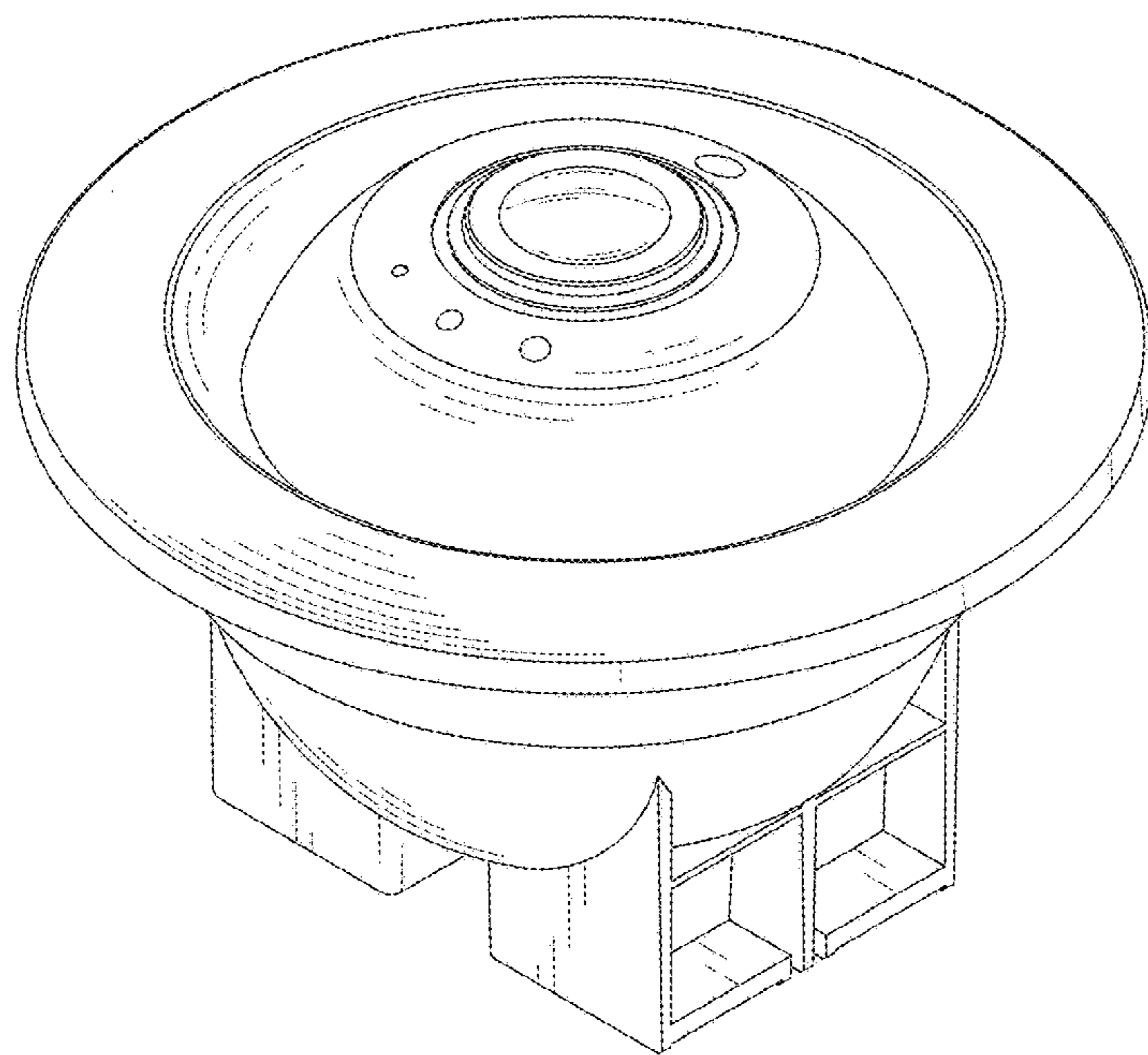


Fig.1

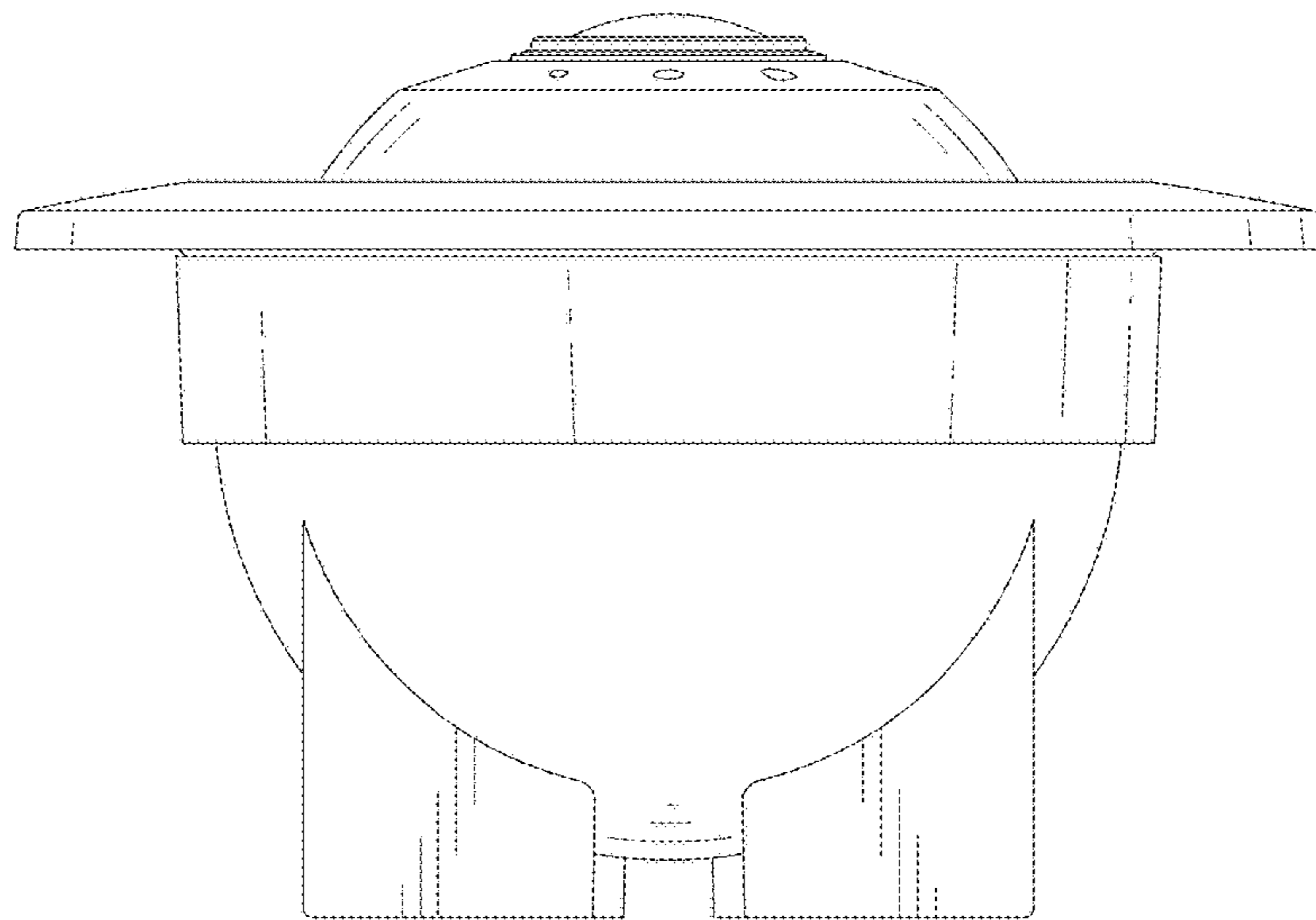


Fig.2

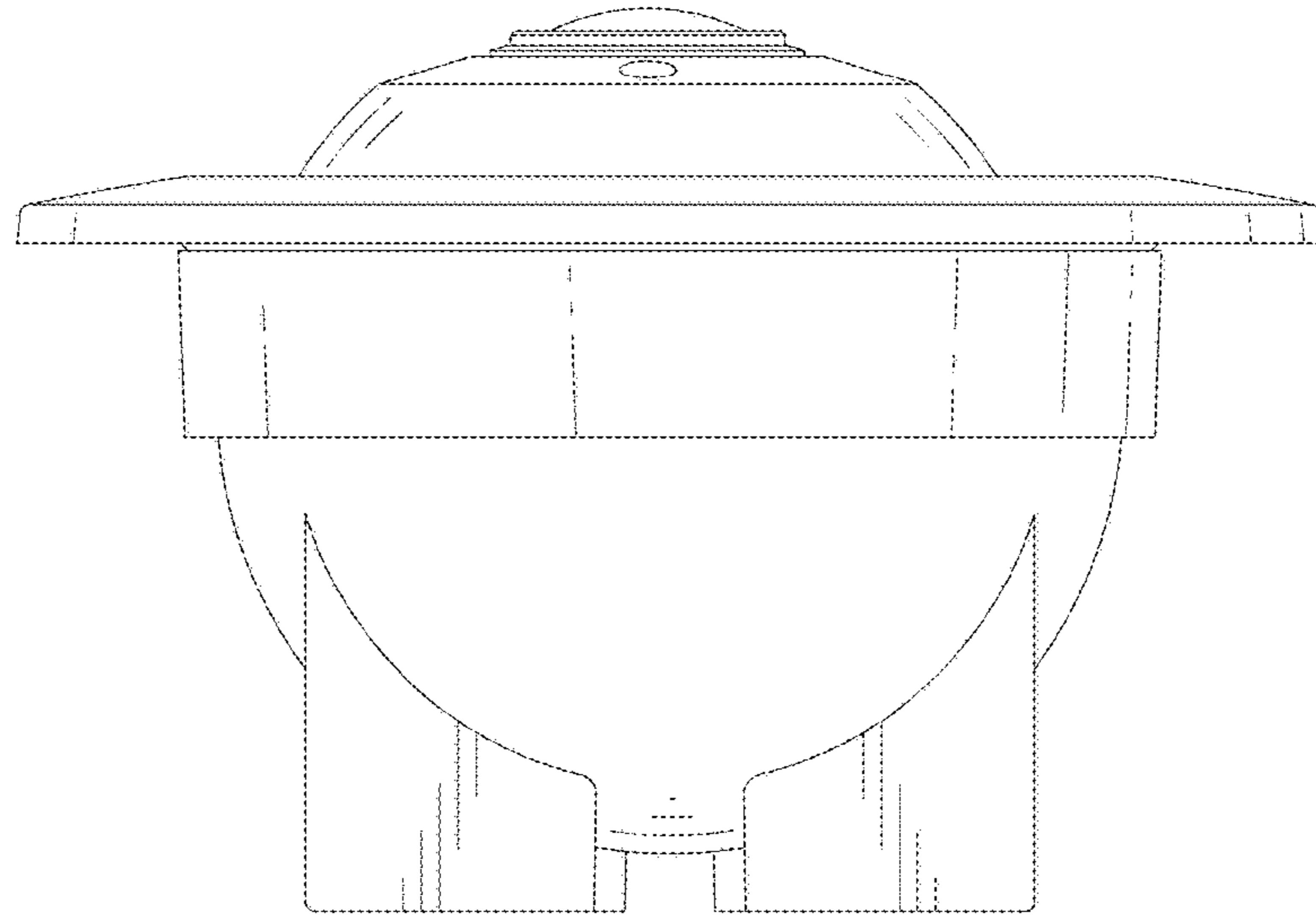


Fig.3

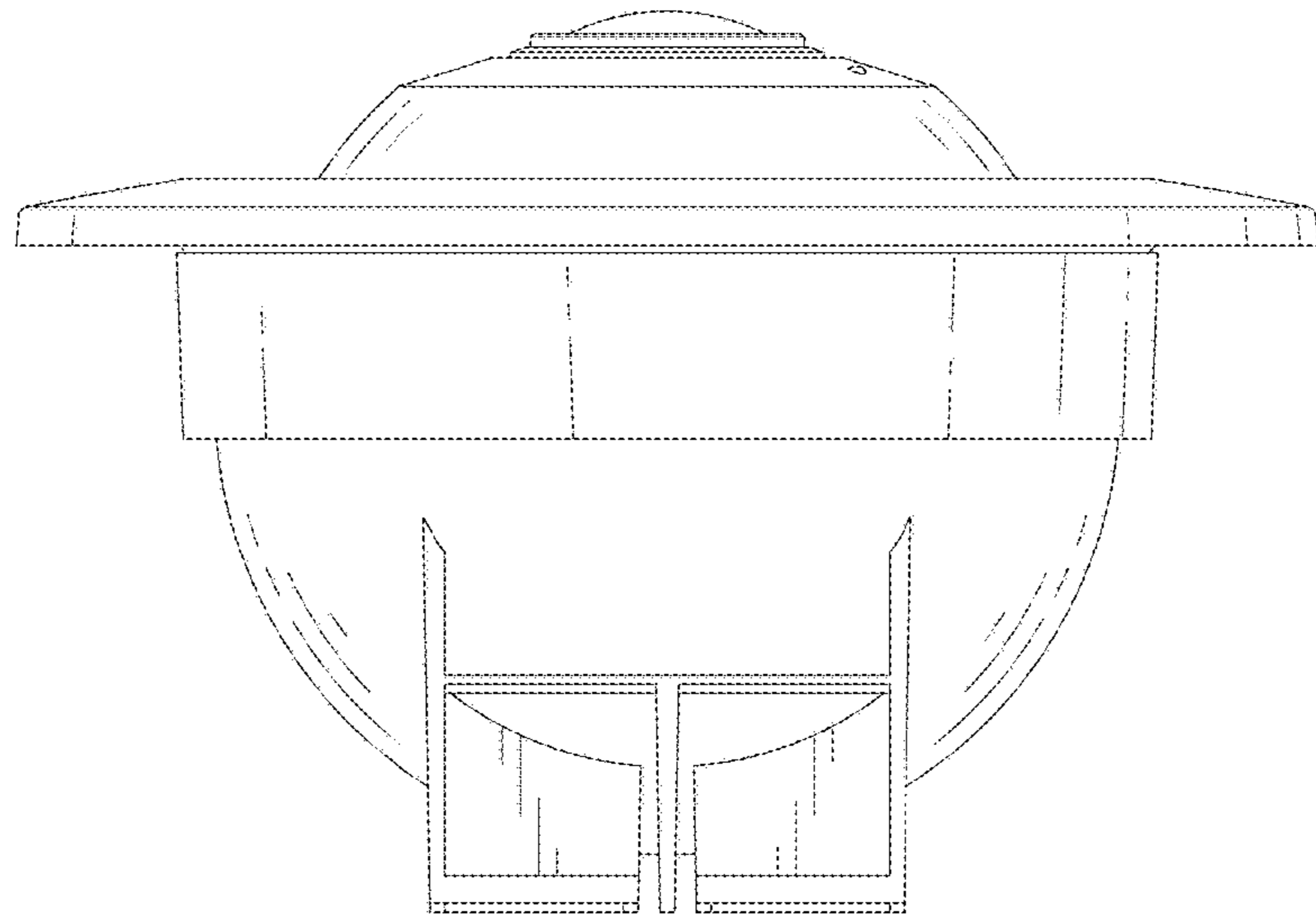


Fig.4

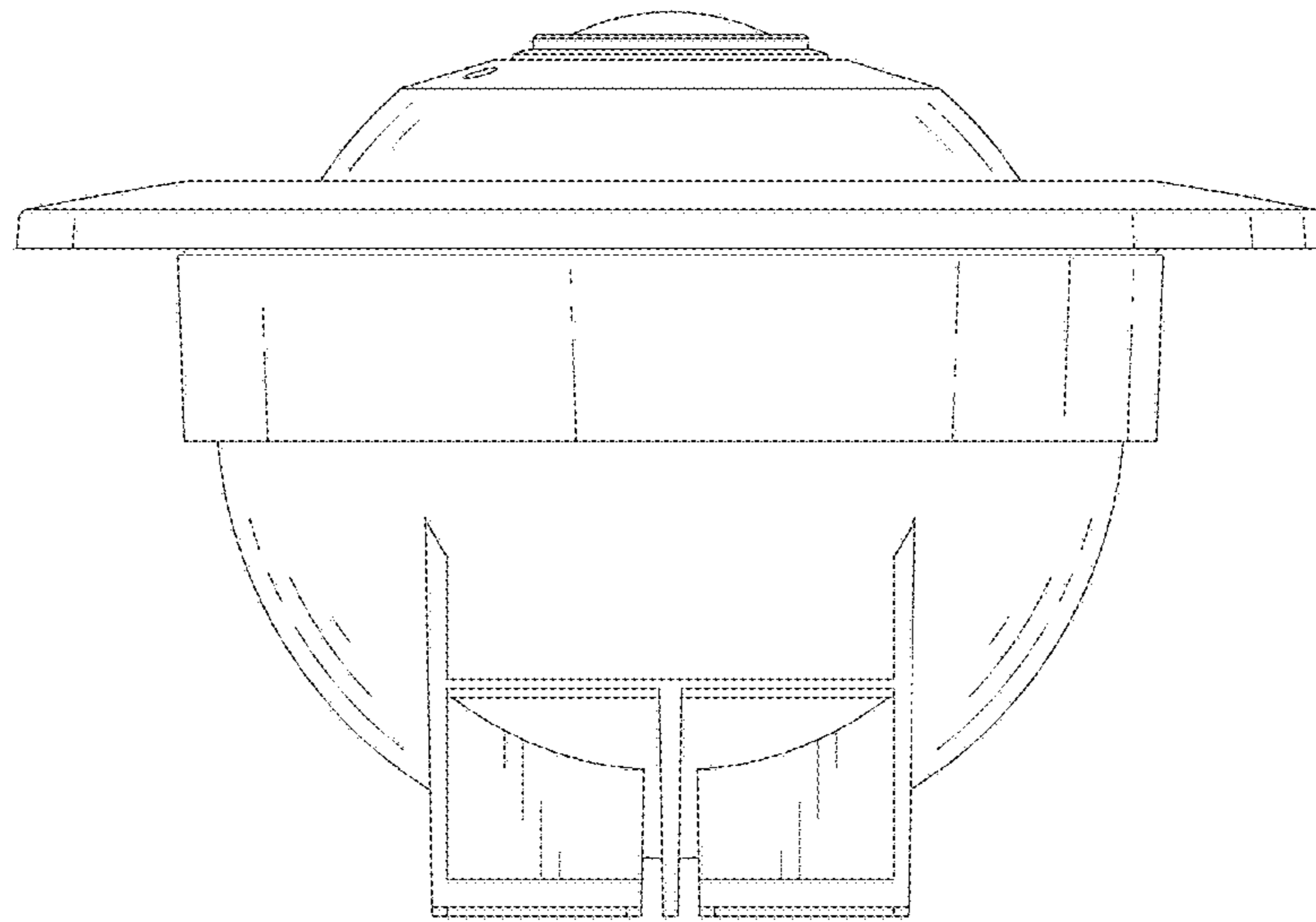


Fig.5

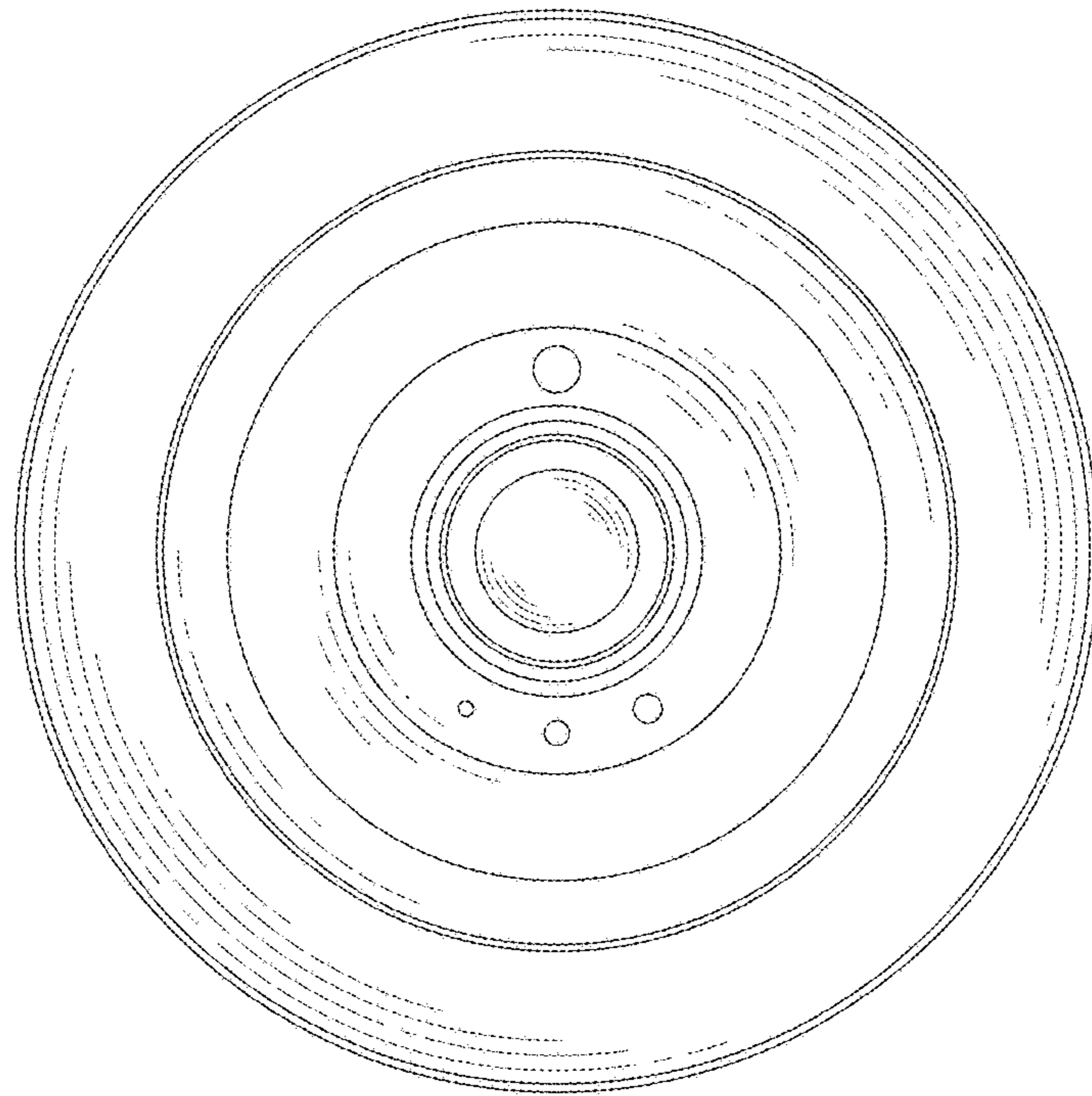


Fig.6

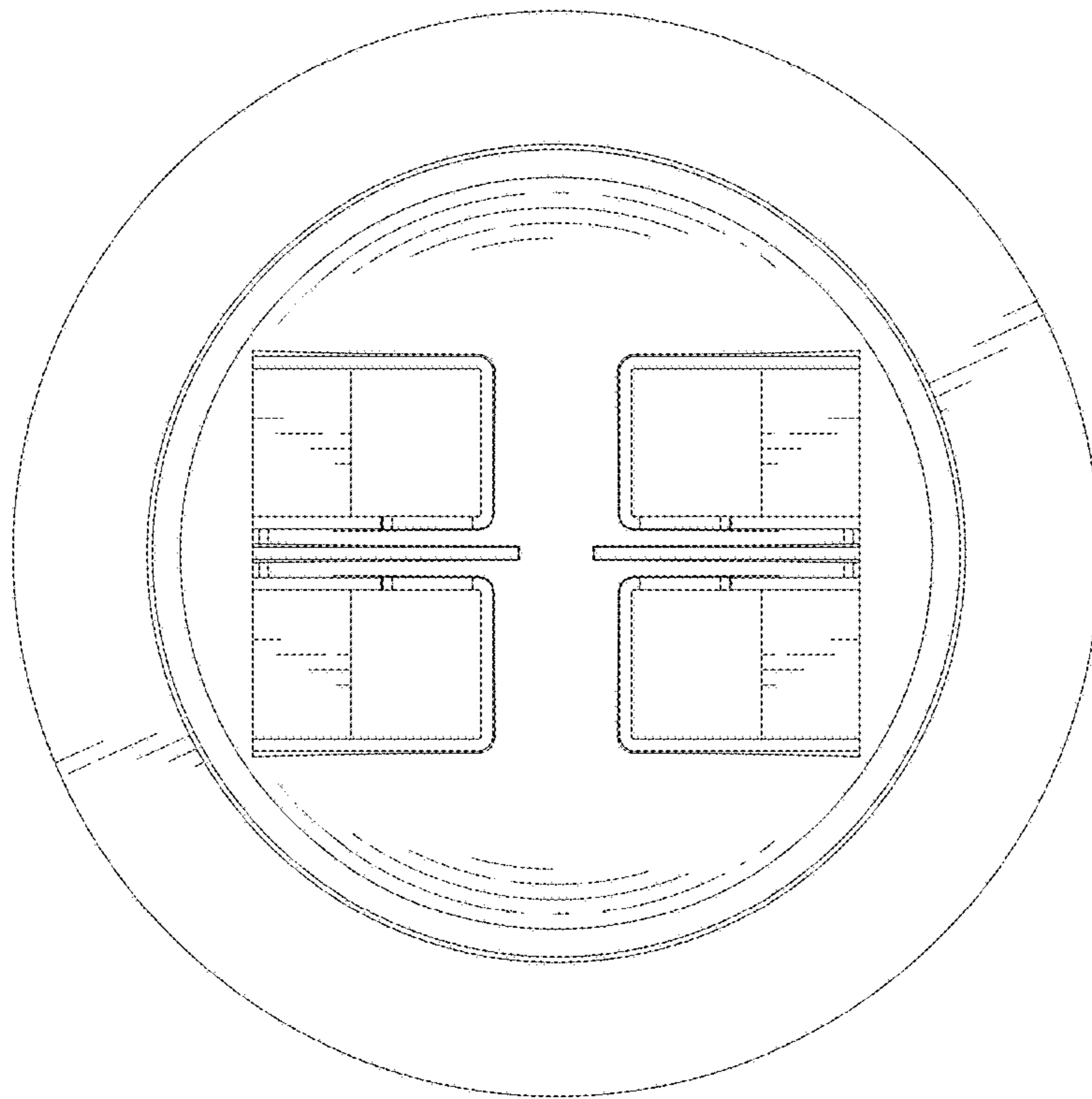


Fig.7

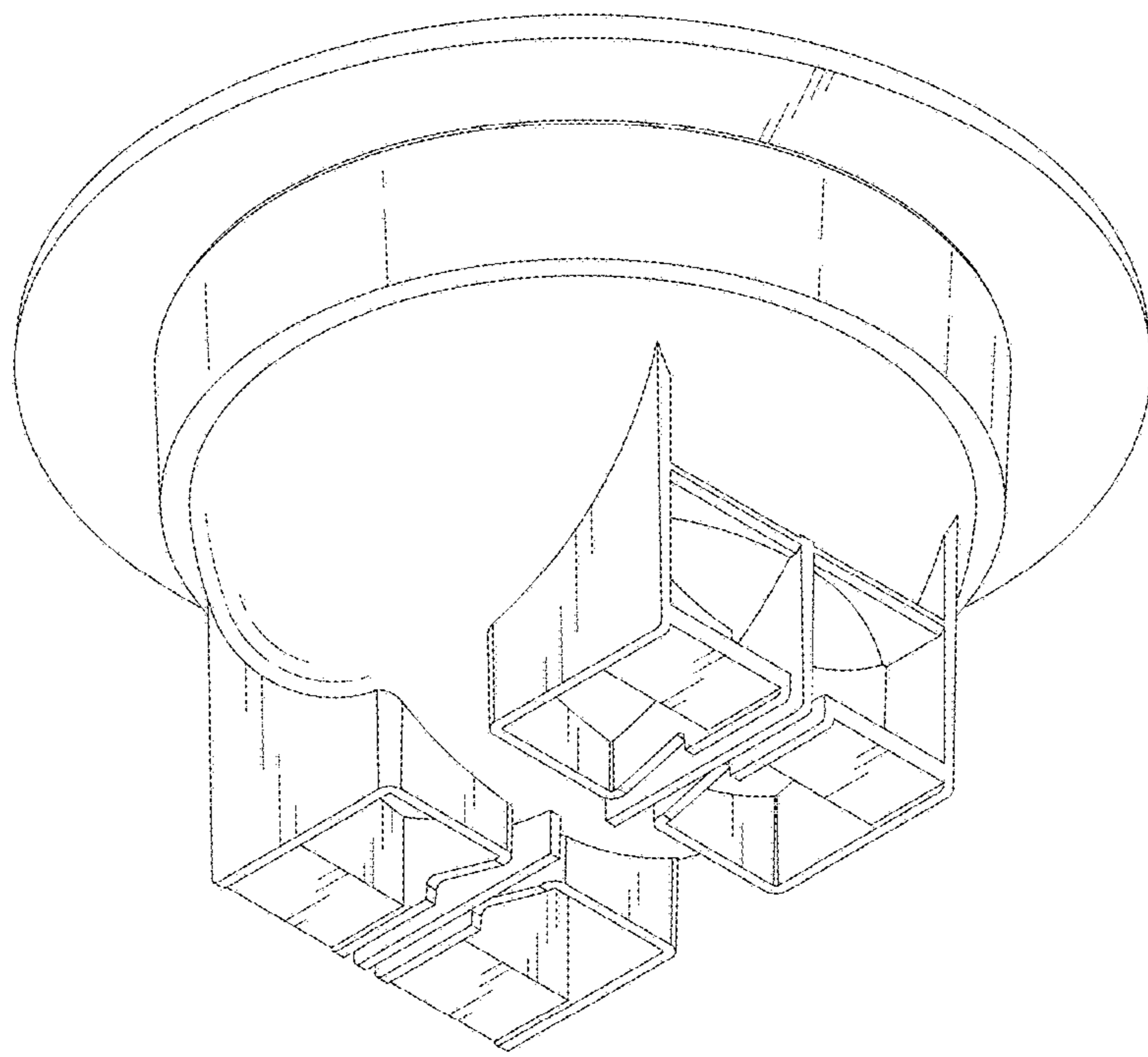


Fig.8