



US00D852868S

(12) **United States Design Patent**  
**Huang**

(10) **Patent No.:** **US D852,868 S**

(45) **Date of Patent:** **\*\* Jul. 2, 2019**

(54) **SURVEILLANCE CAMERA**

(71) Applicant: **PHILIO TECHNOLOGY CORPORATION**, New Taipei (TW)

(72) Inventor: **Cheng-Hung Huang**, New Taipei (TW)

(73) Assignee: **PHILIO TECHNOLOGY CORPORATION**, New Taipei (TW)

(\*\*) Term: **15 Years**

(21) Appl. No.: **29/600,206**

(22) Filed: **Apr. 24, 2017**

(51) **LOC (11) Cl.** ..... **16-01**

(52) **U.S. Cl.**  
USPC ..... **D16/203**

(58) **Field of Classification Search**  
USPC ..... D16/200, 202–206, 208, 218, 219, 242;  
348/143, 148, 151, 373–376; 396/419,  
396/427, 535, 539–541  
CPC ..... G03B 17/02; G03B 19/04; G03B 17/56;  
G03B 17/04; G03B 15/03; H04N 5/2251;  
H04N 5/2252; H04N 5/2253; H04N  
5/2254; H04N 7/181; H04N 7/183; H04N  
7/18; G08B 13/1963; G08B 13/19619;  
G08B 13/19632; F16M 11/04; F16M  
13/00

See application file for complete search history.

(56) **References Cited**

**U.S. PATENT DOCUMENTS**

D657,410 S \* 4/2012 Helaoui ..... D16/203  
D719,994 S \* 12/2014 Wang ..... D16/203

D727,387 S \* 4/2015 Hasegawa ..... D16/203  
D729,861 S \* 5/2015 Huang ..... D16/203  
D743,472 S \* 11/2015 Tanifuji ..... D16/203  
D766,352 S \* 9/2016 Hinkel ..... D16/203  
D769,347 S \* 10/2016 Hinkel ..... D16/203  
D786,330 S \* 5/2017 Tasselli ..... D16/203  
D798,933 S \* 10/2017 Little ..... D16/203  
D815,174 S \* 4/2018 Holbrook ..... D16/203  
D822,088 S \* 7/2018 Park ..... D16/203  
D823,370 S \* 7/2018 Lee ..... D16/203  
D828,428 S \* 9/2018 Lee ..... D16/203

\* cited by examiner

*Primary Examiner* — Ramzi S Almatrahi

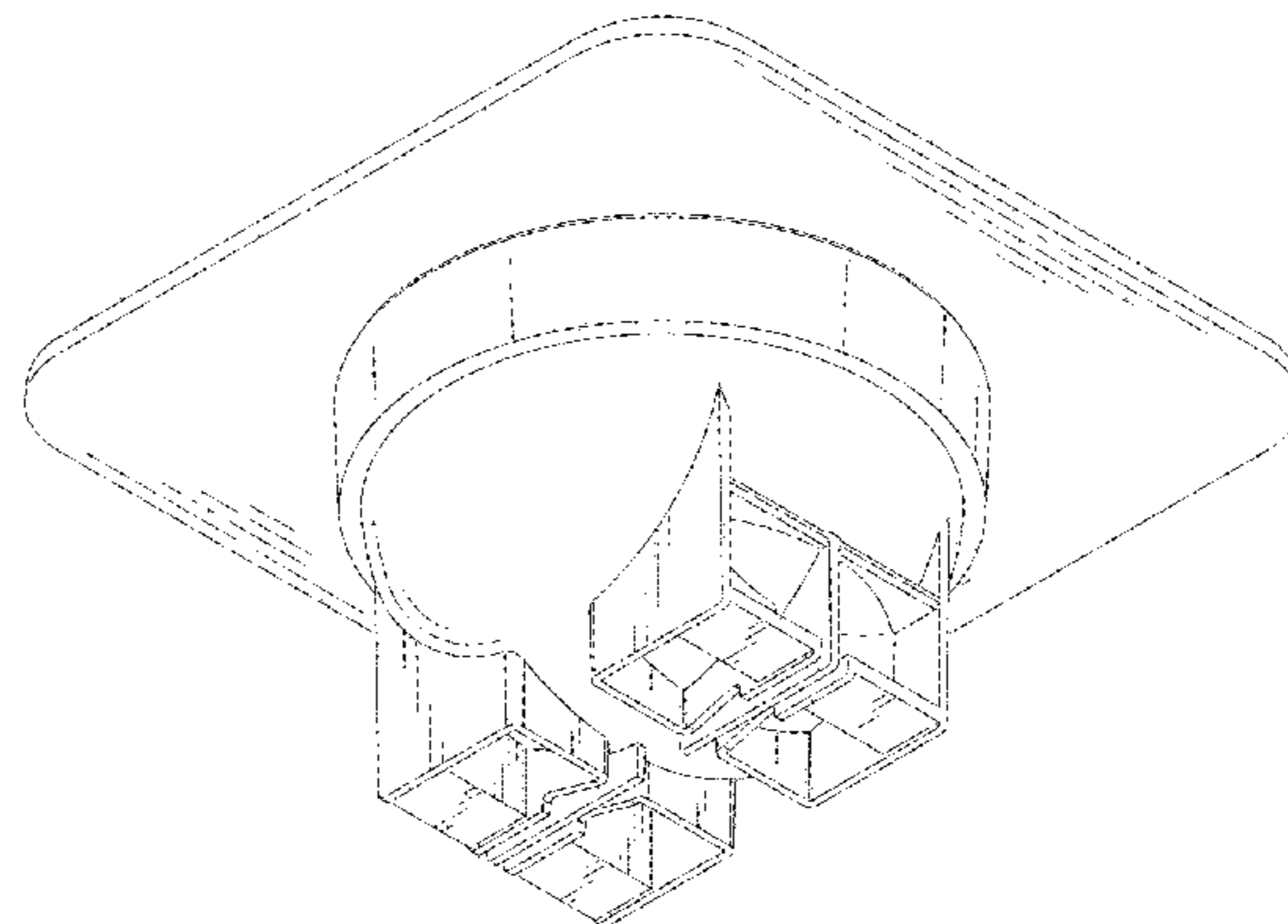
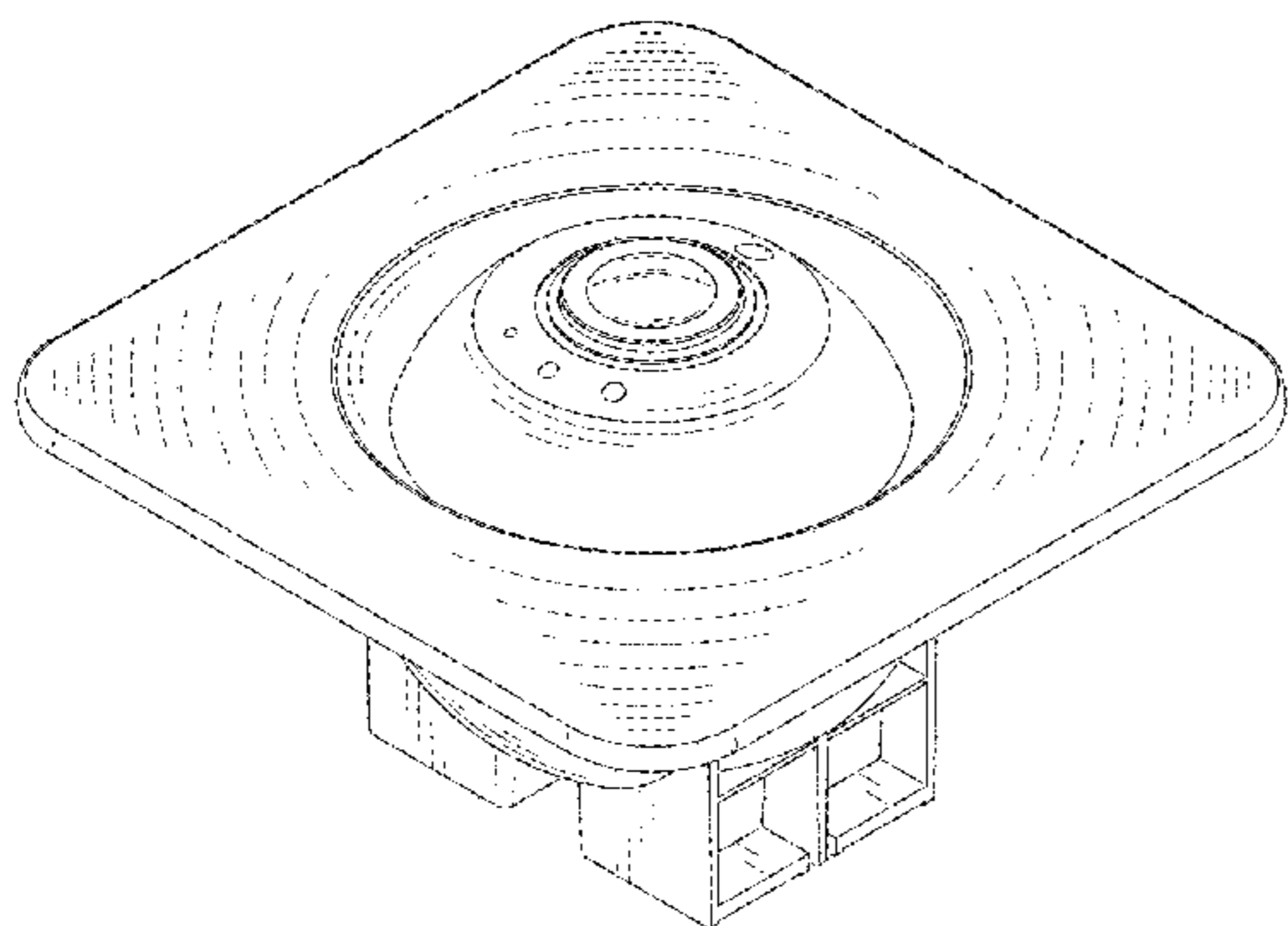
(57) **CLAIM**

The ornamental design for a surveillance camera, as shown and described.

**DESCRIPTION**

FIG. 1 is a top perspective view of a surveillance camera showing my new design;  
FIG. 2 is a front elevational view thereof;  
FIG. 3 is a rear elevational view thereof;  
FIG. 4 is a left side elevational view thereof;  
FIG. 5 is a right side elevational view thereof;  
FIG. 6 is a top plan view thereof;  
FIG. 7 is a bottom plan view thereof; and,  
FIG. 8 is a bottom perspective view of a surveillance camera thereof.

**1 Claim, 8 Drawing Sheets**



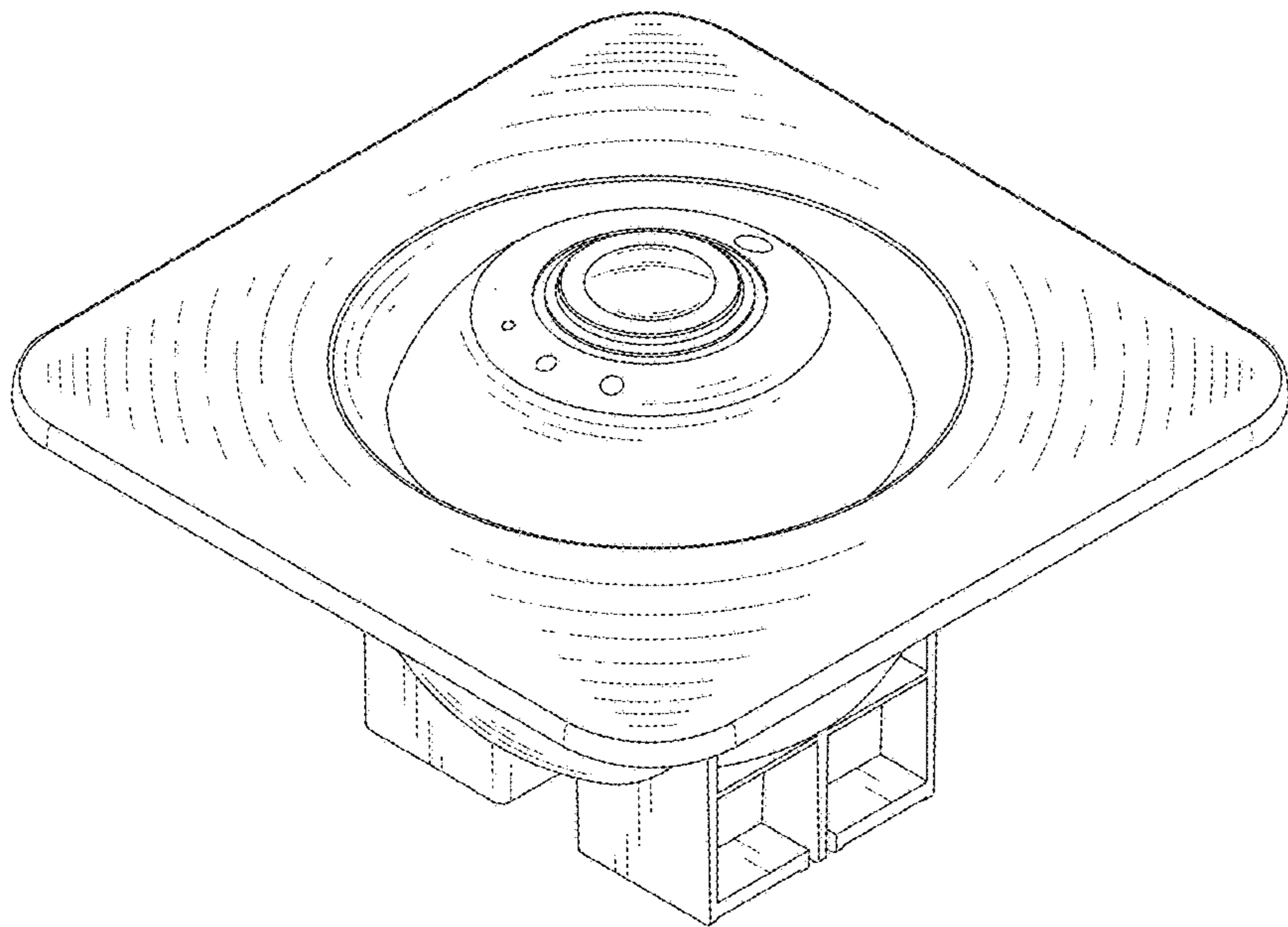


Fig.1

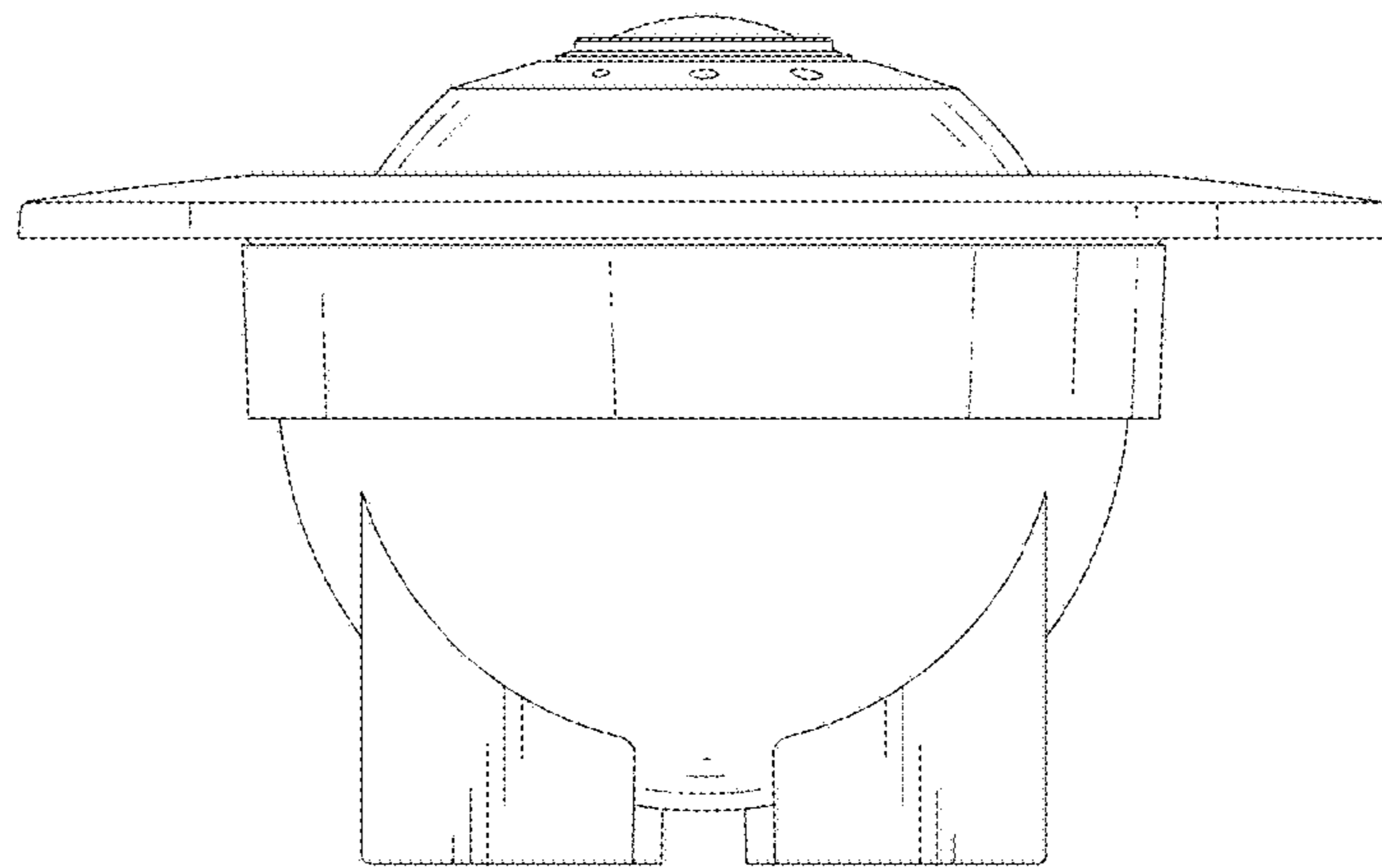


Fig.2

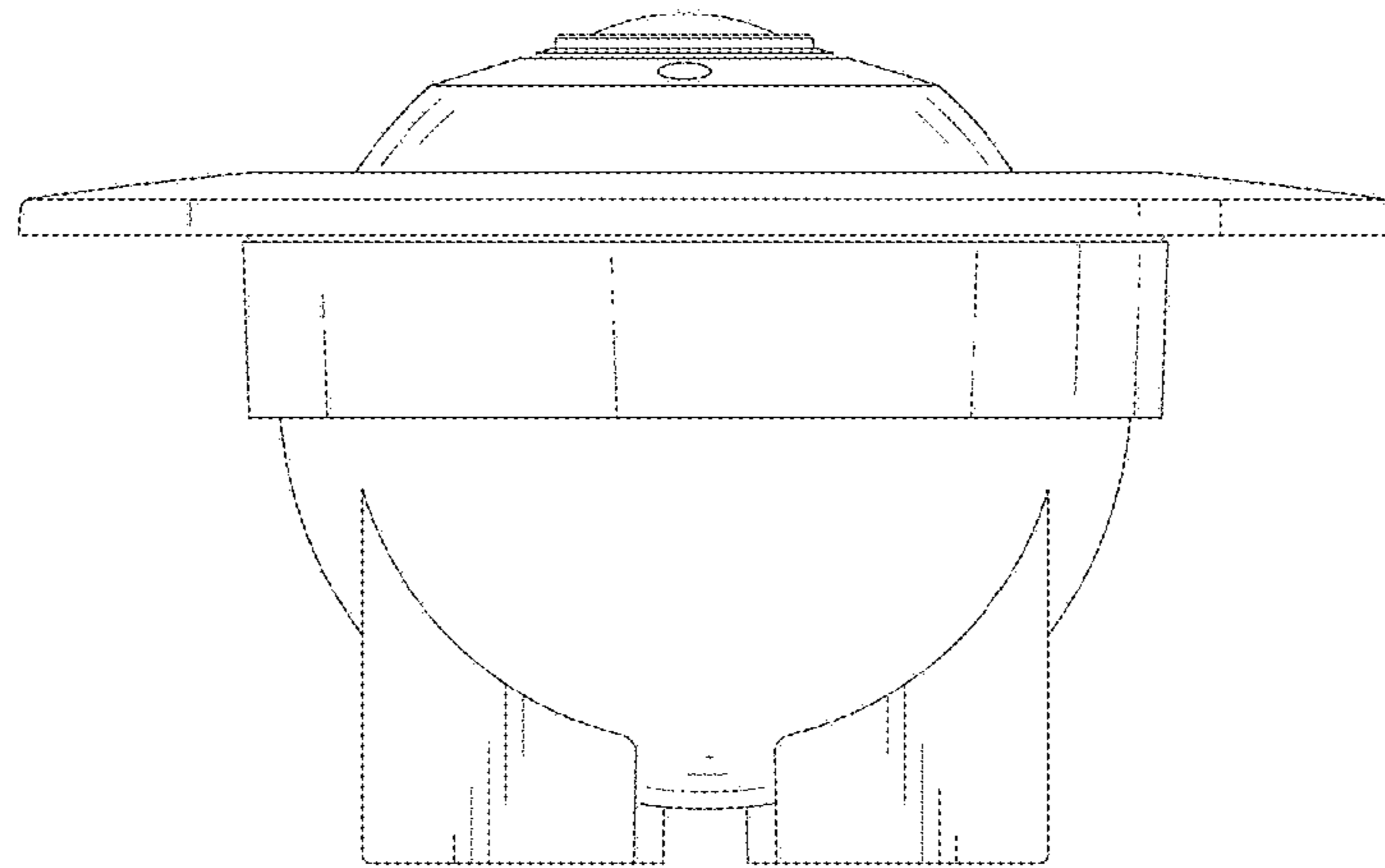


Fig.3

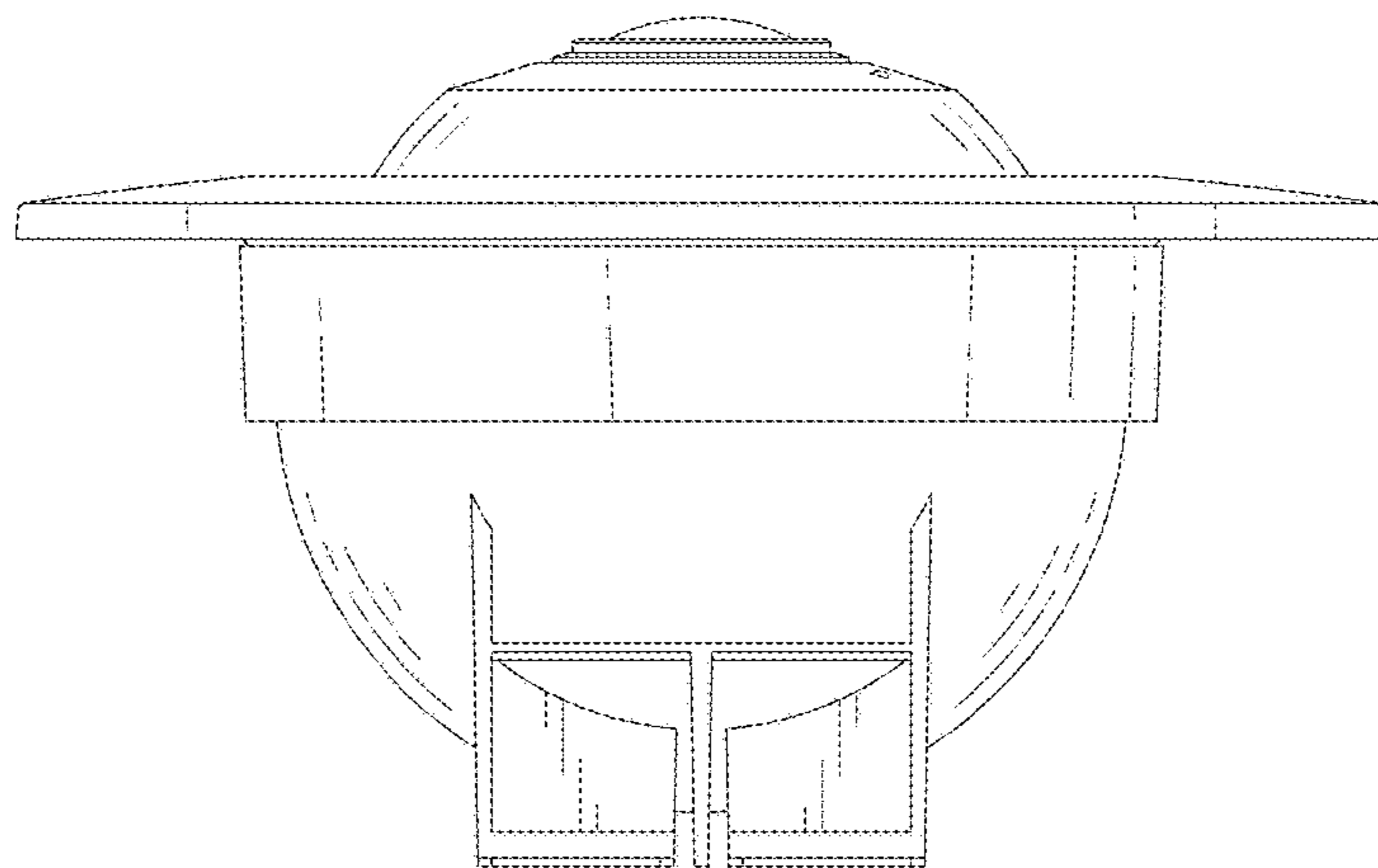


Fig.4

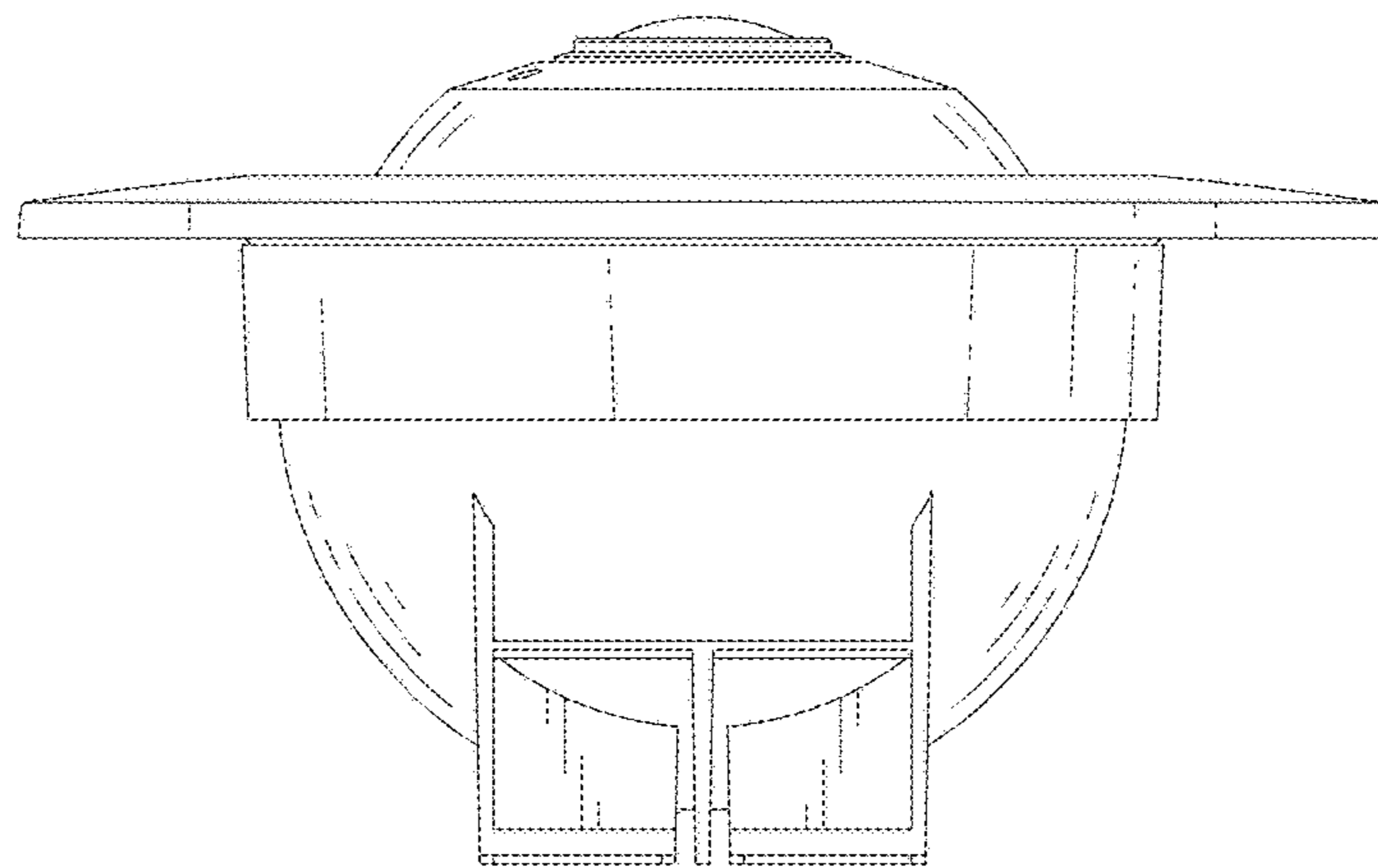


Fig.5

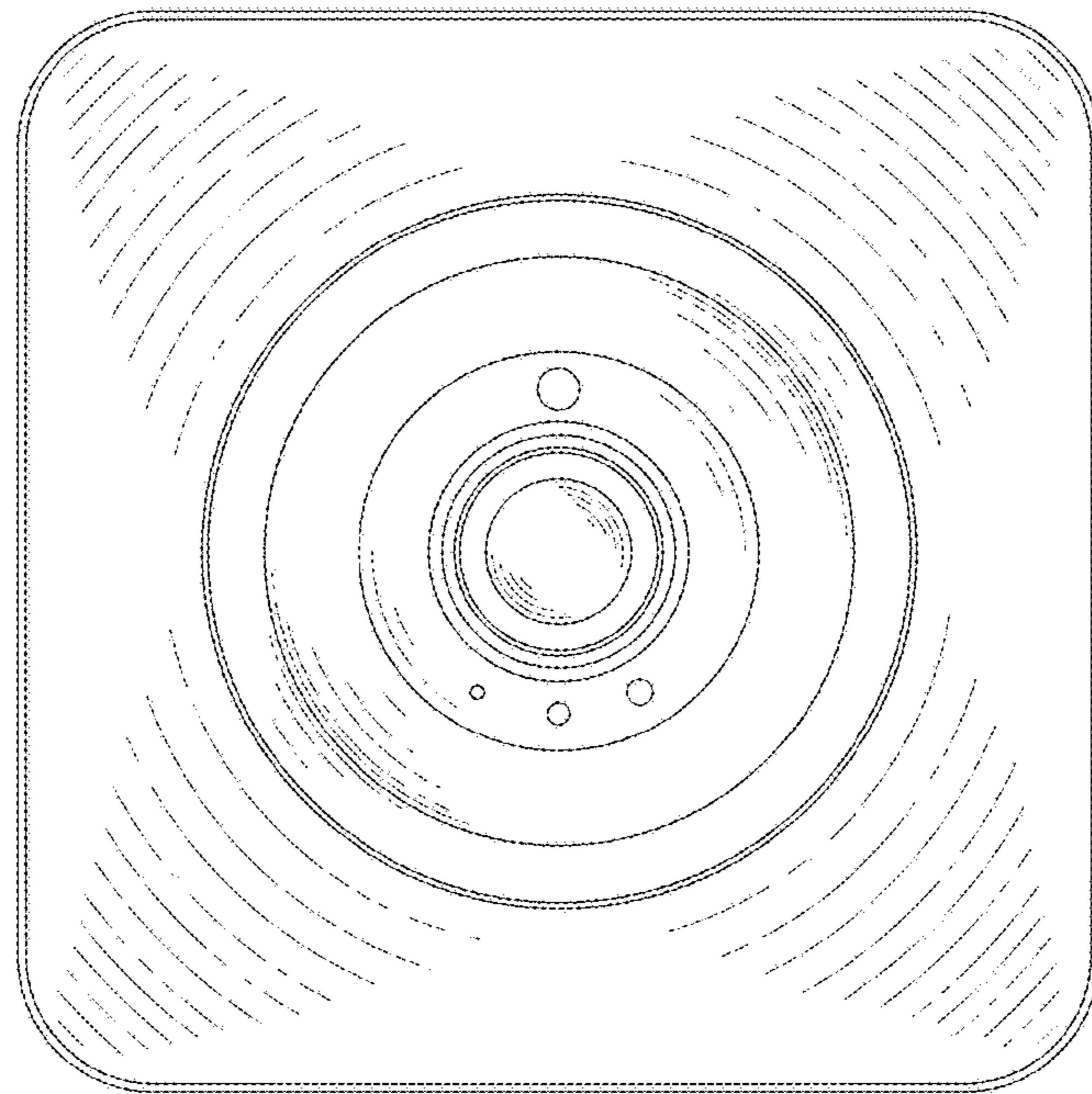


Fig.6



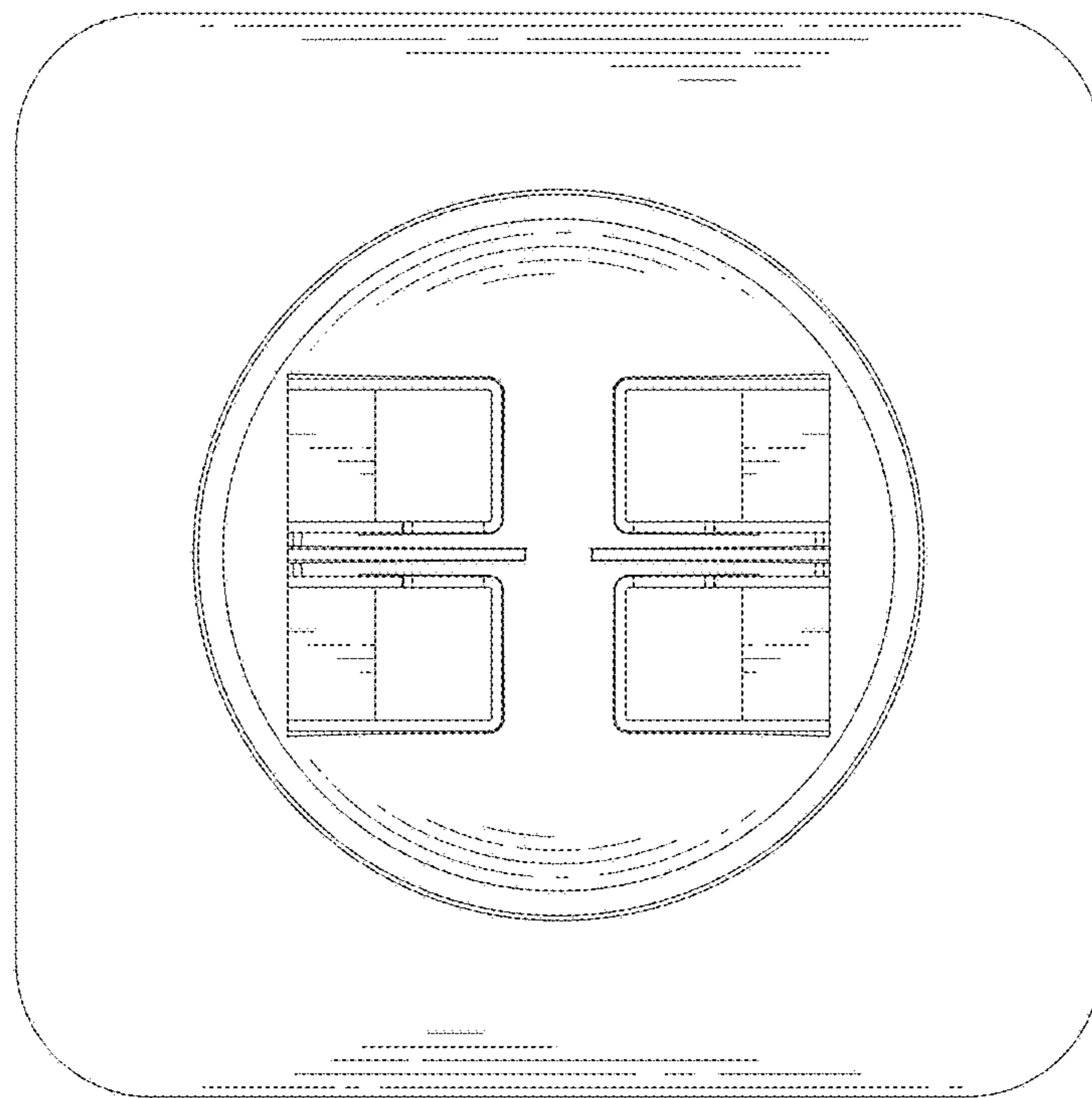


Fig.7



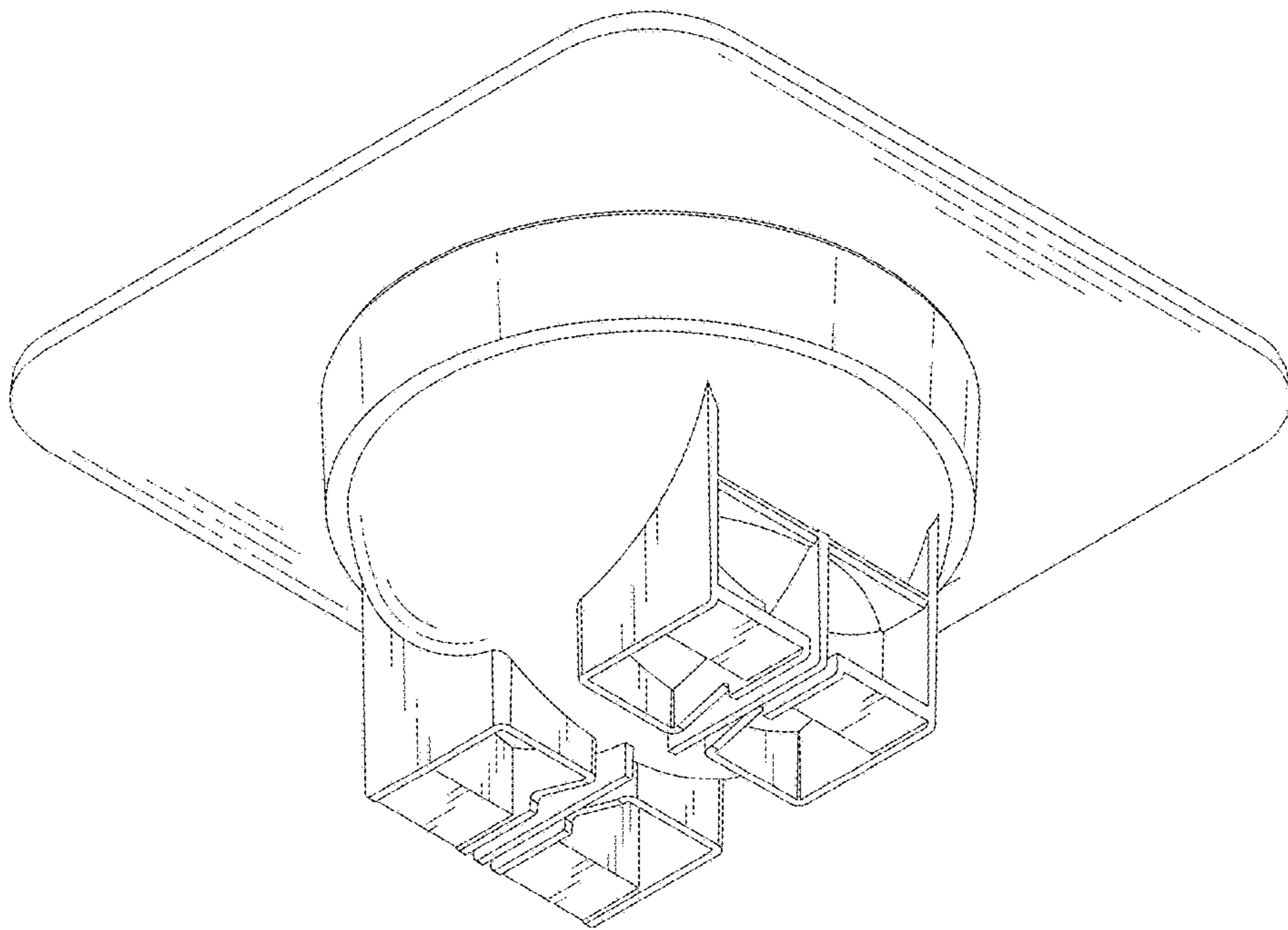


Fig.8