



US00D852867S

(12) **United States Design Patent**  
**Chang et al.**

(10) **Patent No.:** **US D852,867 S**  
(45) **Date of Patent:** **\*\* Jul. 2, 2019**

- (54) **CAMERA DEVICE**
- (71) Applicant: **Quanta Computer Inc.**, Taoyuan (TW)
- (72) Inventors: **Chia-Yuan Chang**, Taoyuan (TW);  
**Jung-Wen Chang**, Taoyuan (TW);  
**Chien-Hung Lin**, Taoyuan (TW);  
**Kao-Yu Hsu**, Taoyuan (TW)
- (73) Assignee: **QUANTA COMPUTER INC.**,  
Guishan Dist., Taoyuan (TW)
- (\*\*) Term: **15 Years**
- (21) Appl. No.: **29/627,858**
- (22) Filed: **Nov. 30, 2017**
- (30) **Foreign Application Priority Data**

Oct. 2, 2017 (TW) ..... 106305860

(51) **LOC (11) Cl.** ..... **16-01**

(52) **U.S. Cl.**  
USPC ..... **D16/202; D16/210**

(58) **Field of Classification Search**  
USPC ..... D16/200, 202–206, 208, 218, 219;  
348/373–376; 396/535, 539–541  
CPC ..... G03B 15/03; G03B 17/02; G03B 17/04;  
G03B 17/56; G03B 19/04; H04N 5/2251;  
H04N 5/2252; H04N 5/2253; H04N  
5/2254; H04N 2101/00

See application file for complete search history.

(56) **References Cited**

**U.S. PATENT DOCUMENTS**

- 7,604,423 B2 \* 10/2009 Nagata ..... G03B 19/07  
348/375
- D685,015 S \* 6/2013 Wang ..... D16/202

- D689,914 S \* 9/2013 Uemachi ..... D16/202
- 8,587,715 B2 \* 11/2013 Takeda ..... H04R 5/027  
348/373
- D700,924 S \* 3/2014 Sasaki ..... D16/202
- D711,451 S \* 8/2014 Katsuyama ..... D16/208
- D712,950 S \* 9/2014 Kwon ..... D16/202
- D717,353 S \* 11/2014 Kobayashi ..... D16/202
- D747,386 S \* 1/2016 Li ..... D16/208
- 2010/0123819 A1 \* 5/2010 Yu ..... H04N 5/2254  
348/360

\* cited by examiner

*Primary Examiner* — Ramzi S Almatrahi

(74) *Attorney, Agent, or Firm* — McClure, Qualey &  
Rodack, LLP

(57) **CLAIM**

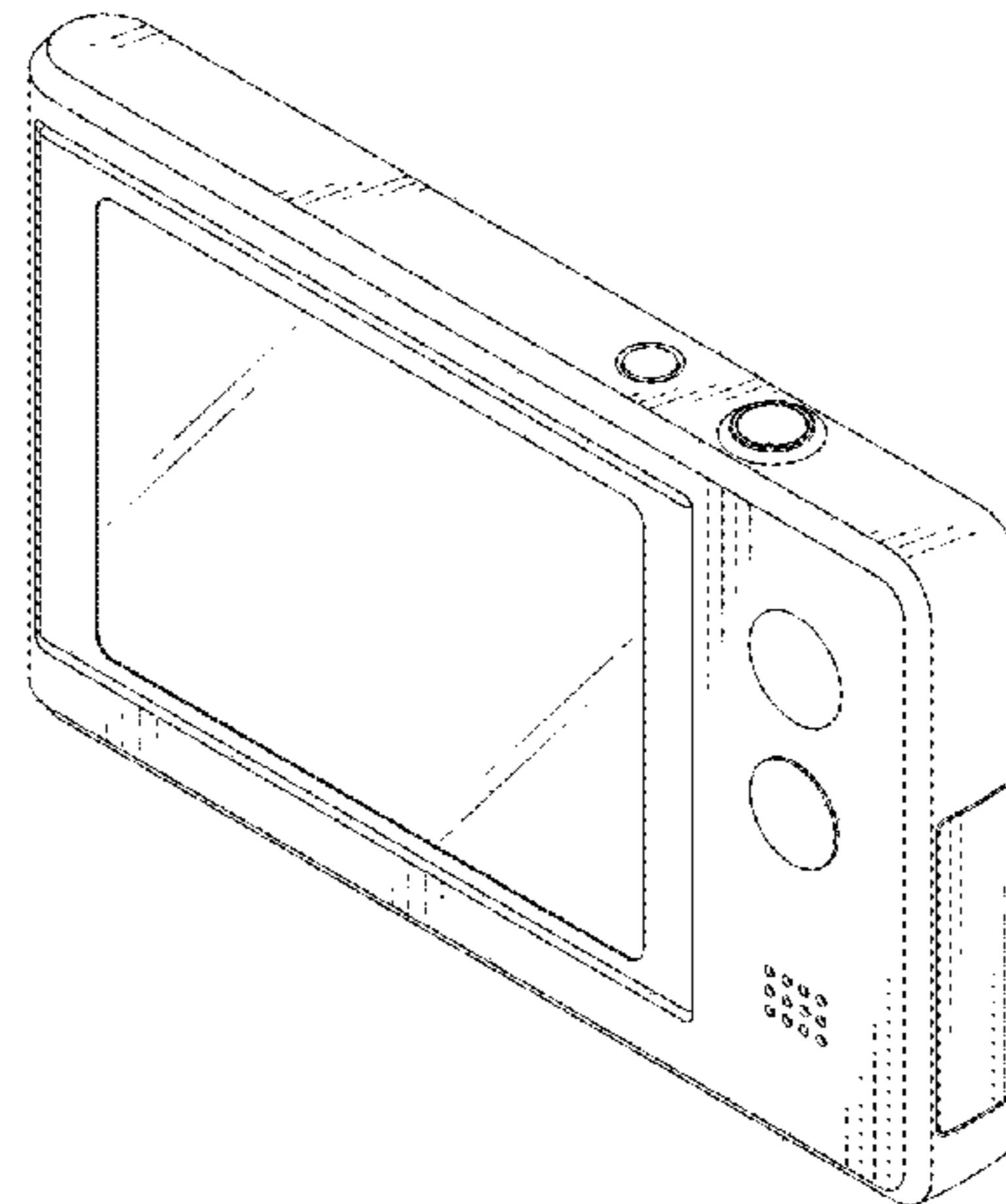
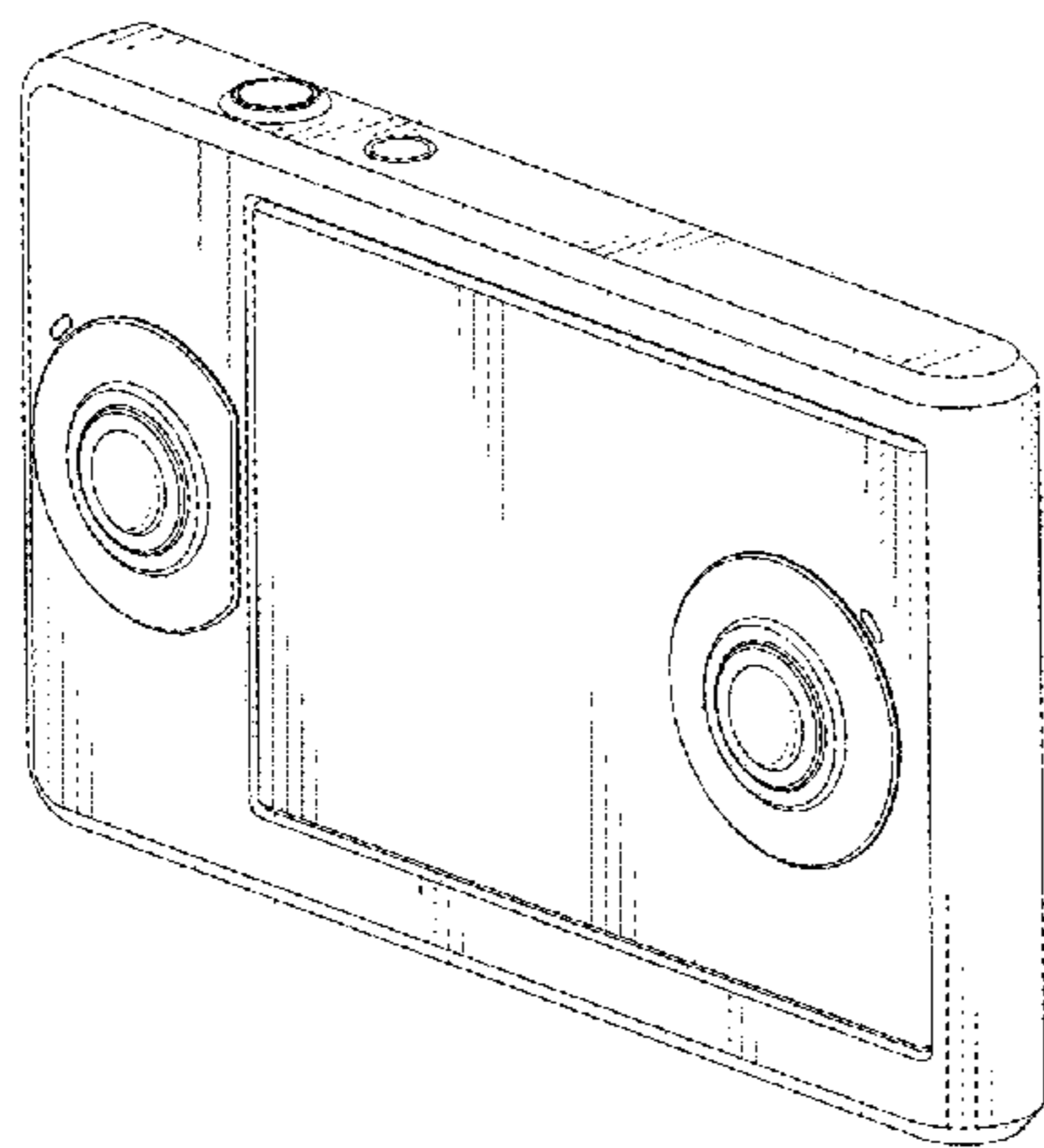
The ornamental design for a camera device, as shown and described.

**DESCRIPTION**

FIG. 1 is a front perspective view of a camera device showing our new design;  
 FIG. 2 is a front view thereof;  
 FIG. 3 is a rear view thereof;  
 FIG. 4 is a left side view thereof;  
 FIG. 5 is a right side view thereof;  
 FIG. 6 is a top plan view thereof;  
 FIG. 7 is a bottom plan view thereof; and,  
 FIG. 8 is a rear perspective view thereof.

The broken lines depict portions of a camera device in which the design is embodied that form no part of the claimed design.

**1 Claim, 8 Drawing Sheets**



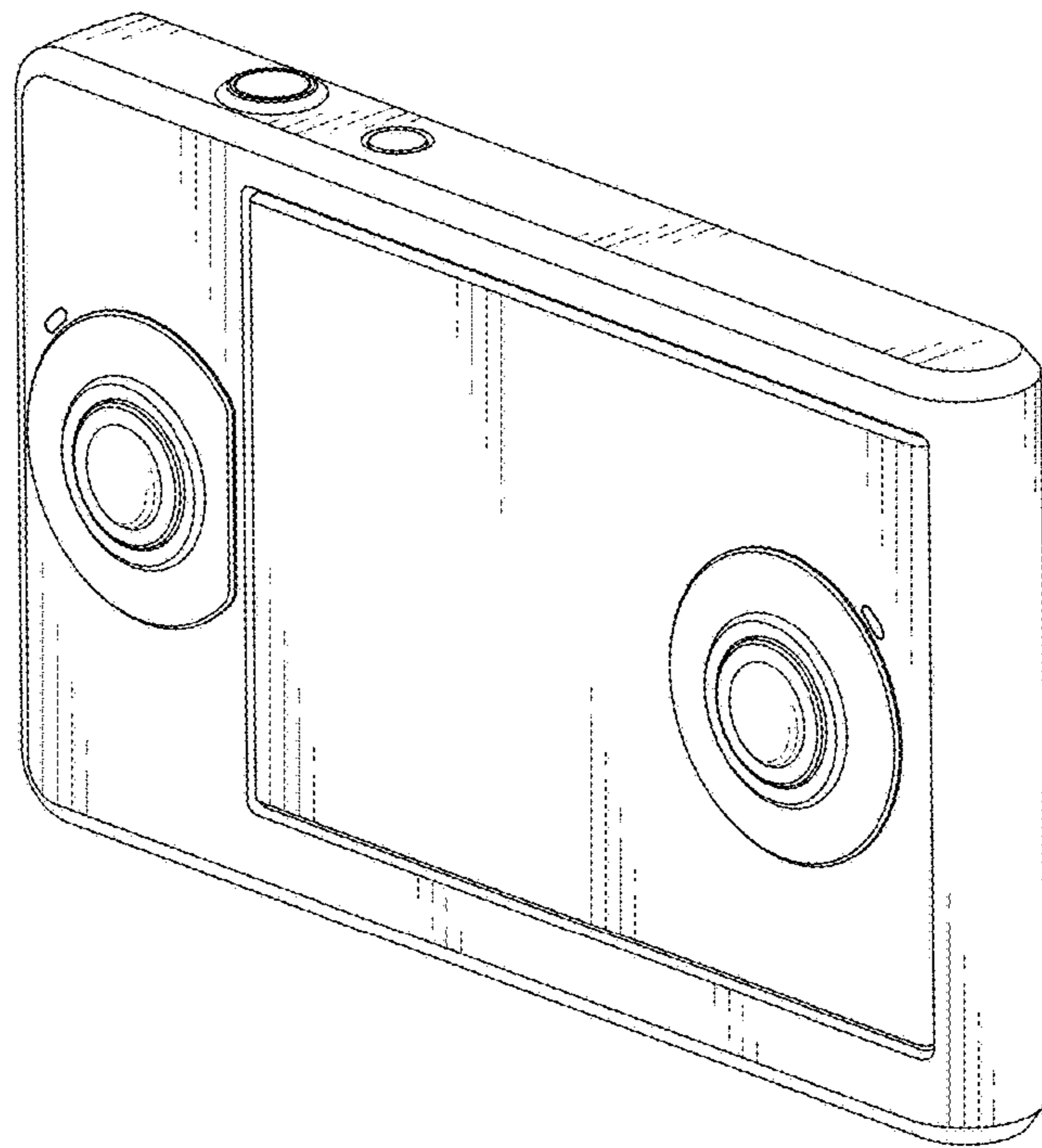


FIG. 1

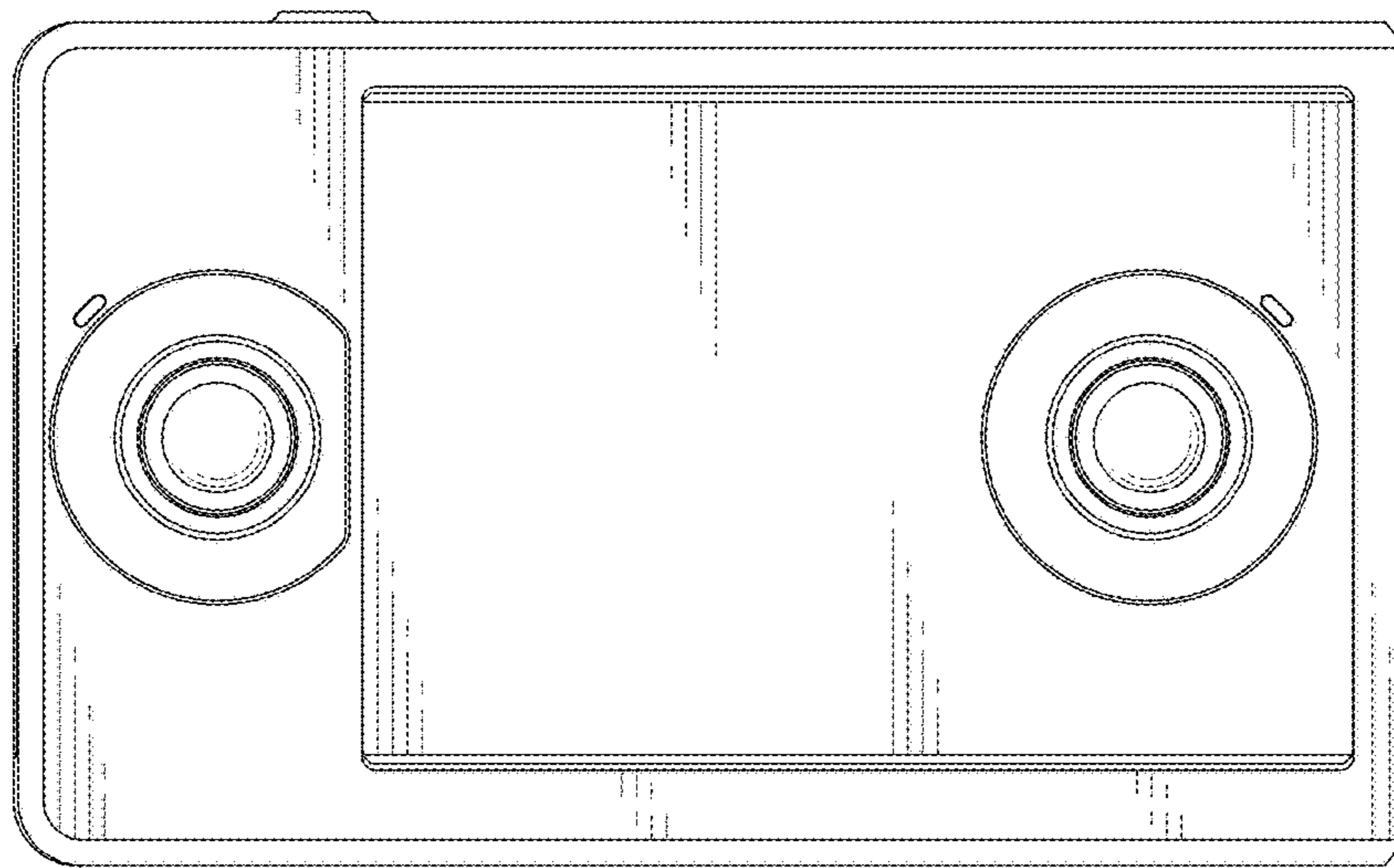


FIG. 2

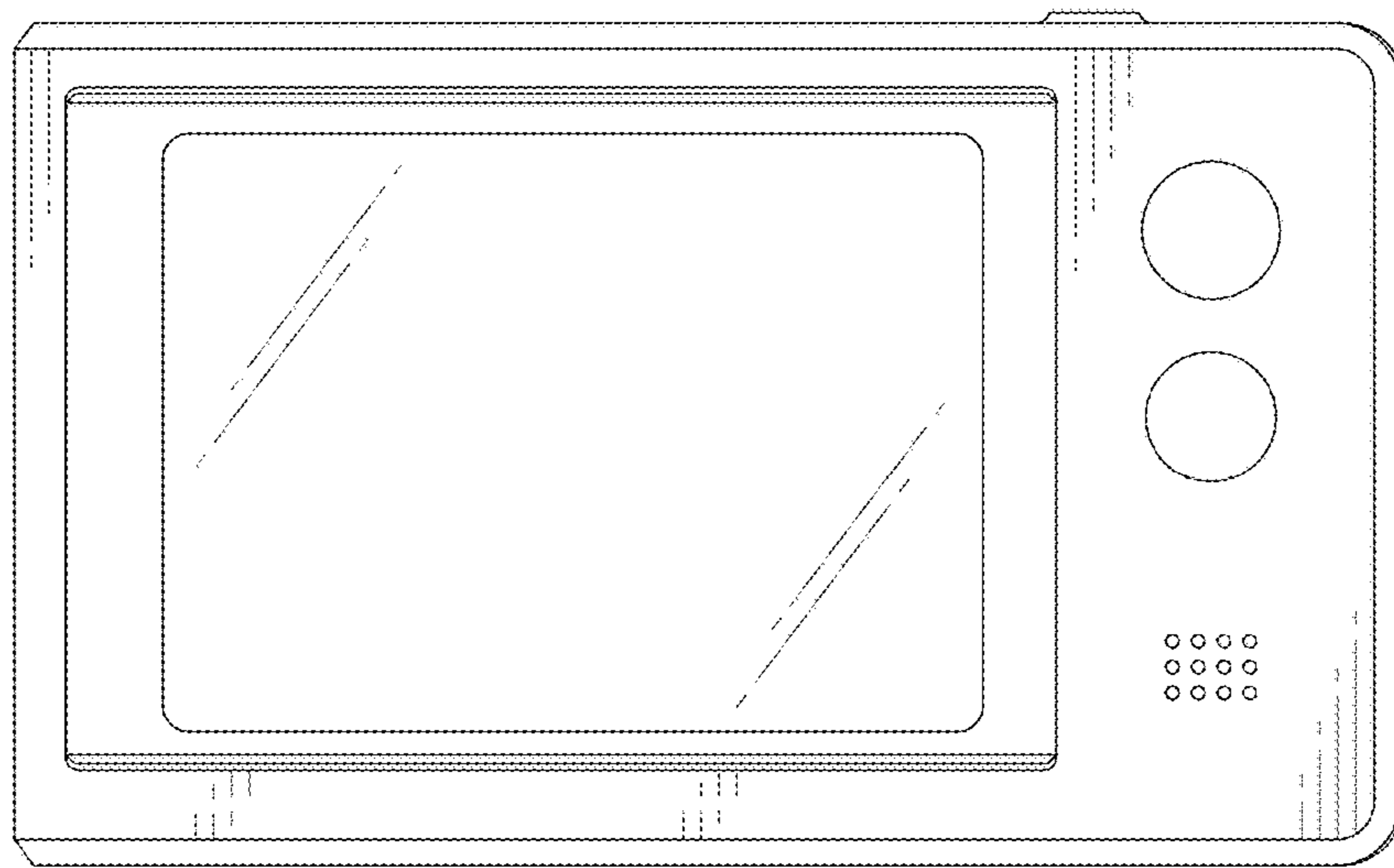


FIG. 3

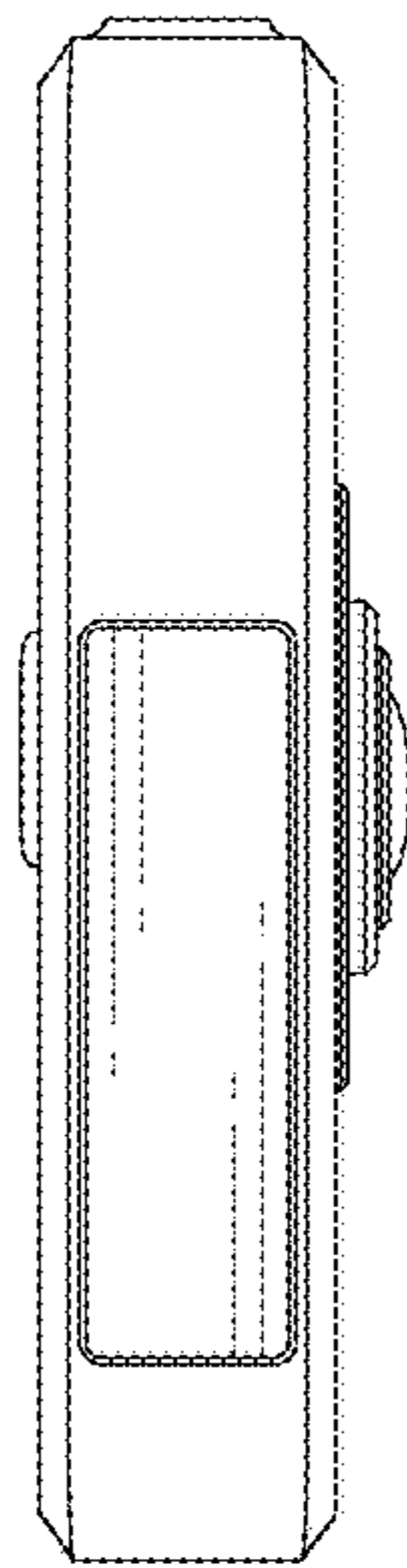


FIG. 4

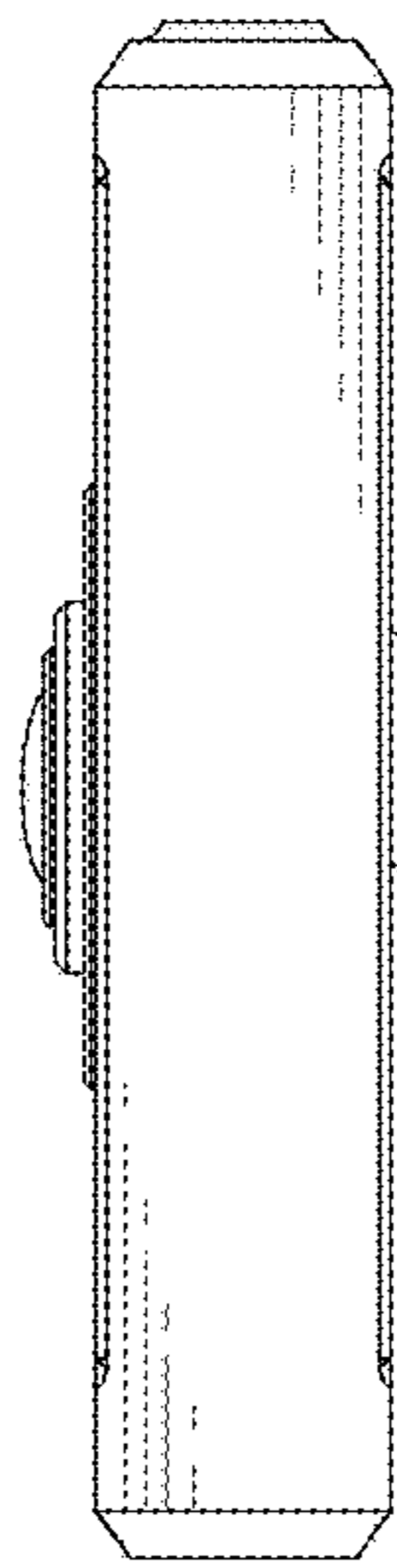


FIG. 5

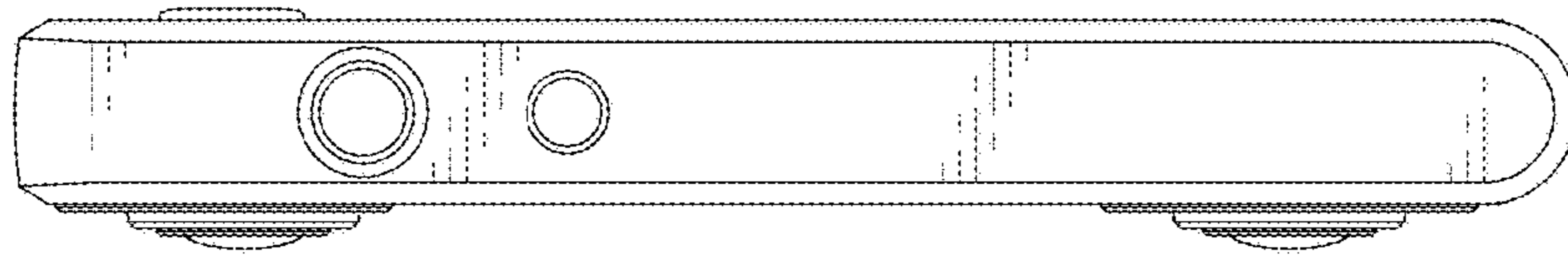


FIG. 6

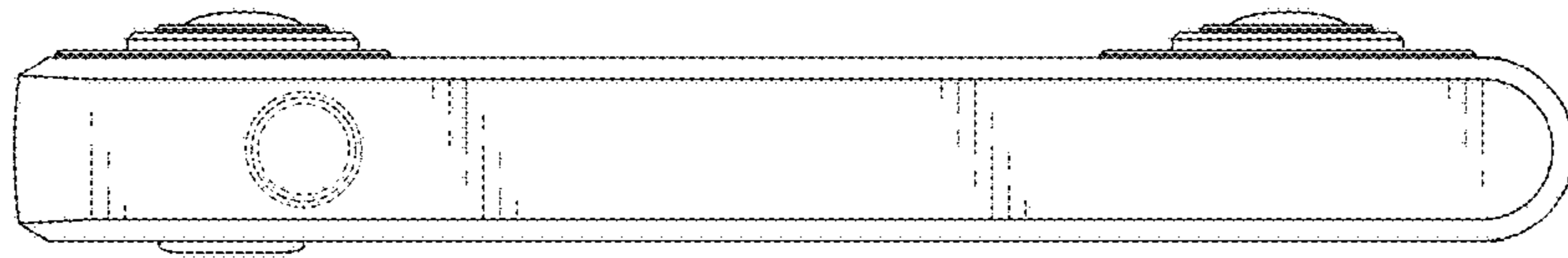


FIG. 7



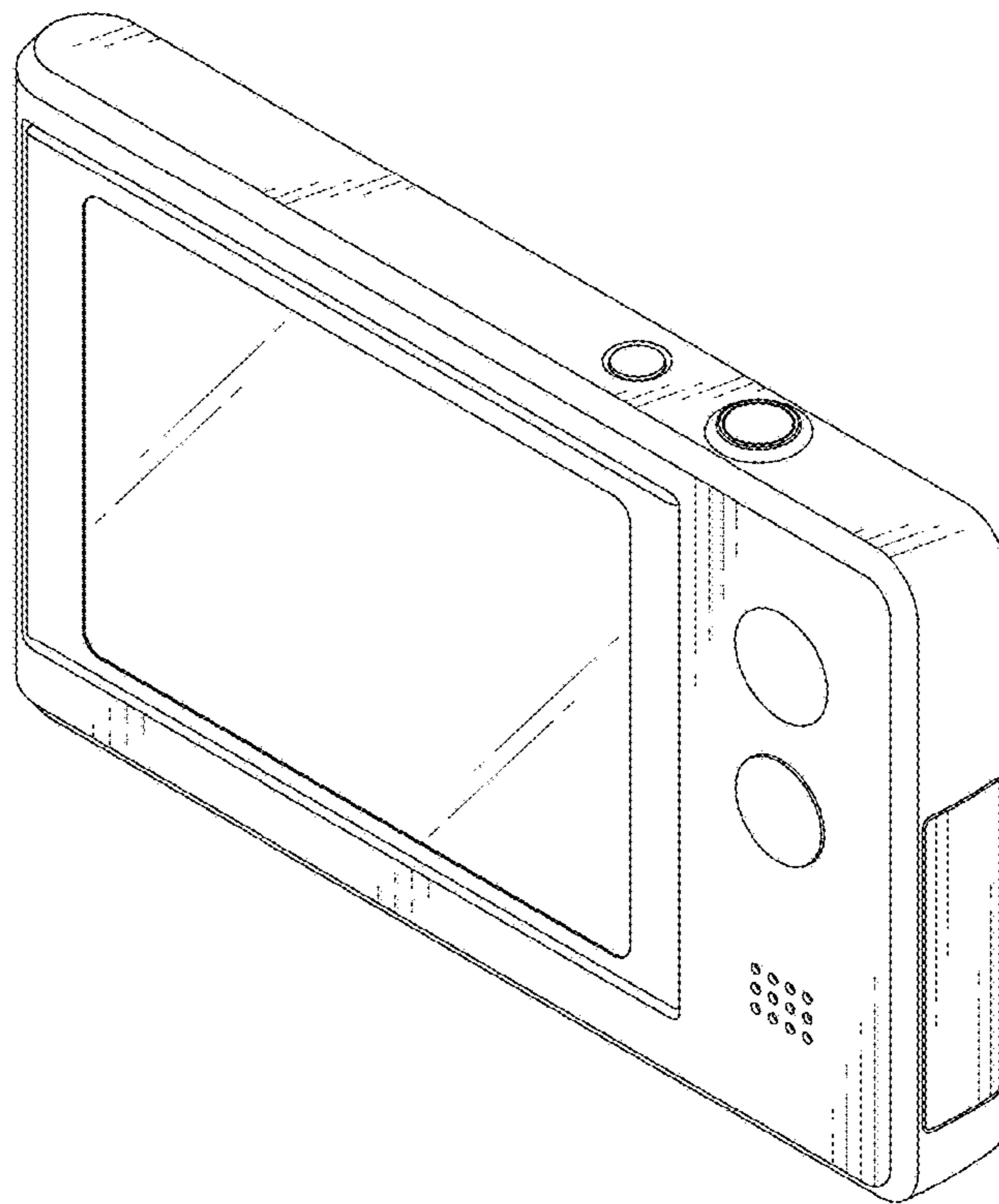


FIG. 8