



US00D852866S

(12) **United States Design Patent** (10) **Patent No.:** **US D852,866 S**
Siminoff et al. (45) **Date of Patent:** **** Jul. 2, 2019**

- (54) **PROTECTIVE SLEEVE FOR AN ELECTRONIC DEVICE**
- (71) Applicant: **A9.com, Inc.**, Palo Alto, CA (US)
- (72) Inventors: **Mark Siminoff**, Mountain View, CA (US); **Matthew J. England**, Santa Monica, CA (US); **Spiro Sacre**, Los Angeles, CA (US); **James Siminoff**, Pacific Palisades, CA (US)
- (73) Assignee: **A9.com, Inc.**, Palo Alto, CA (US)
- (**) Term: **15 Years**
- (21) Appl. No.: **29/618,543**
- (22) Filed: **Sep. 21, 2017**
- (51) **LOC (11) Cl.** **16-01**
- (52) **U.S. Cl.**
USPC **D16/200; D10/118.2**
- (58) **Field of Classification Search**
USPC D16/200, 202–210, 218, 219; D10/106.2, D10/106.3, 106.5, 118.1, 118.2; 348/143, 348/148, 151, 164, 347, 373–376; 396/419, 427, 535, 539–541
CPC G03B 15/03; G03B 17/02; G03B 17/04; G03B 17/56; G03B 19/04; H04N 5/2251; H04N 5/2252; H04N 5/2253; H04N 5/2254; H04N 2101/00; H04N 5/33; H04N 5/332; H04N 7/141; H04N 7/142; H04N 7/147; H04N 7/148; H04N 7/15; H04N 7/152; H04N 7/18; H04N 7/181; H04N 7/183
See application file for complete search history.

- (56) **References Cited**
U.S. PATENT DOCUMENTS
D505,127 S * 5/2005 Yoshida D14/159
D698,841 S * 2/2014 Lee D16/202

D788,061 S *	5/2017	Siminoff	D10/118.2
D788,834 S *	6/2017	Bhattacharya	D16/203
D793,268 S *	8/2017	Ye	D10/118.2
D798,177 S *	9/2017	Siminoff	D10/118.2
D817,208 S *	5/2018	Ravat	D10/118.2
D829,803 S *	10/2018	Read	D16/203
2004/0124978 A1 *	7/2004	Chen	G08B 3/10 340/539.14
2017/0160138 A1 *	6/2017	Jeong	G11B 20/00891
2017/0171518 A1 *	6/2017	Modestine	H04N 5/23206

OTHER PUBLICATIONS

<https://shop.ring.com/products/stick-up-cam>, product disclosed publicly as early as Jan. 5, 2016, 3 pgs.
A product embodying the claimed design was offered for sale by applicant as early as Aug. 22, 2017.

* cited by examiner

Primary Examiner — Ramzi S Almatrahi
(74) *Attorney, Agent, or Firm* — Greenberg Traurig, LLP

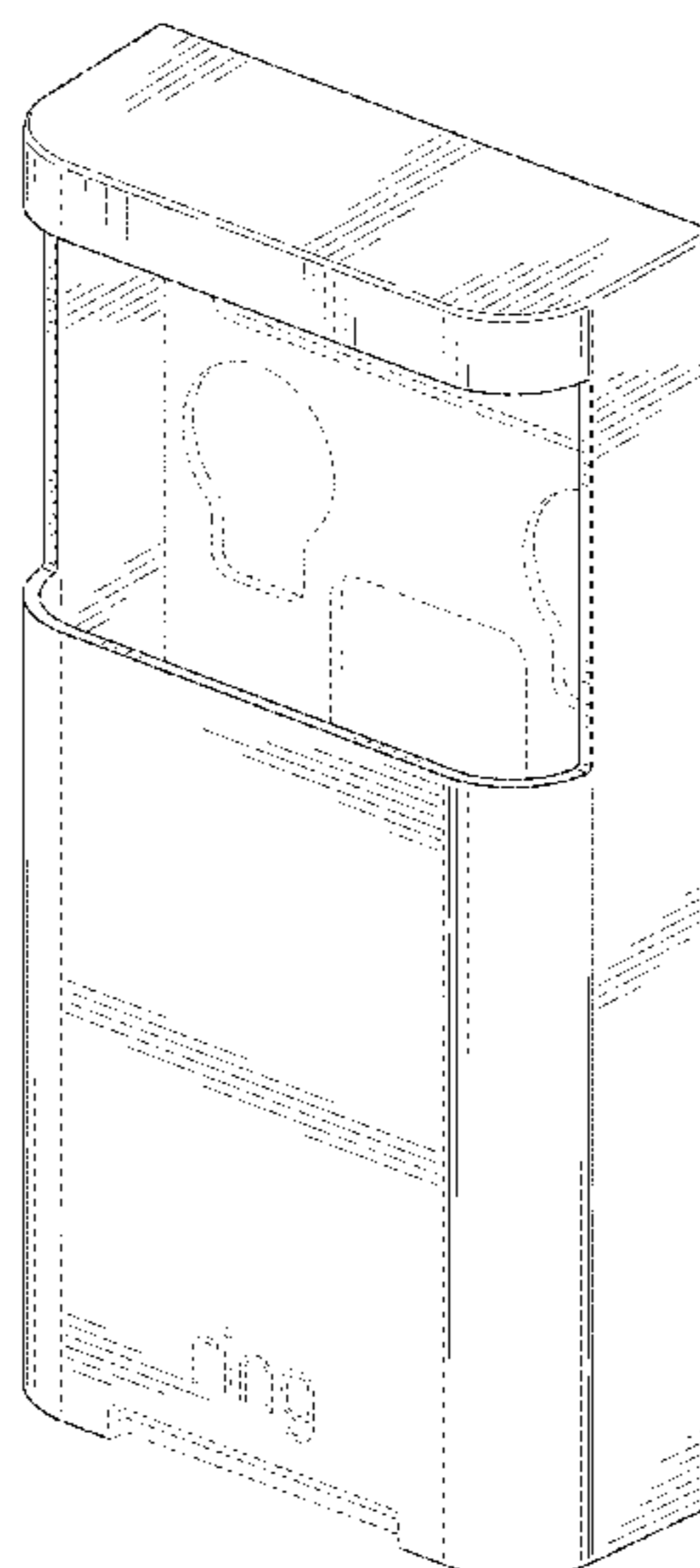
(57) **CLAIM**

We claim the ornamental design for a protective sleeve for an electronic device, as shown and described.

DESCRIPTION

FIG. 1 is a perspective view of a protective sleeve for an electronic device showing our new design;
FIG. 2 is a front view thereof;
FIG. 3 is a left side view thereof;
FIG. 4 is a right side view thereof;
FIG. 5 is a top view thereof; and,
FIG. 6 is a bottom view thereof.
The broken lines depict portions of the protective sleeve for an electronic device in which the design is embodied that form no part of the claimed design. The rear view of the protective sleeve for an electronic device is hereby disclaimed and forms no part of the claimed design.

1 Claim, 4 Drawing Sheets



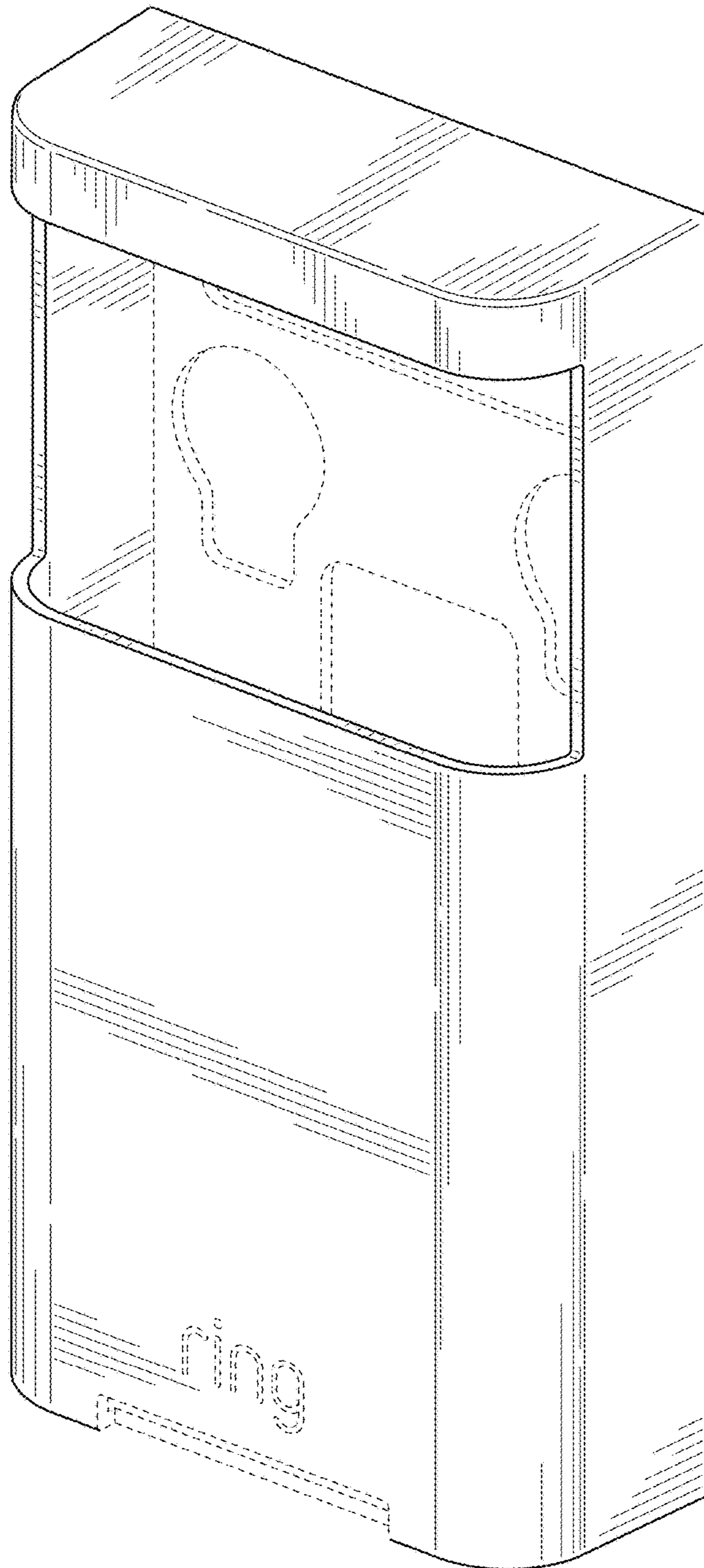


FIG. 1

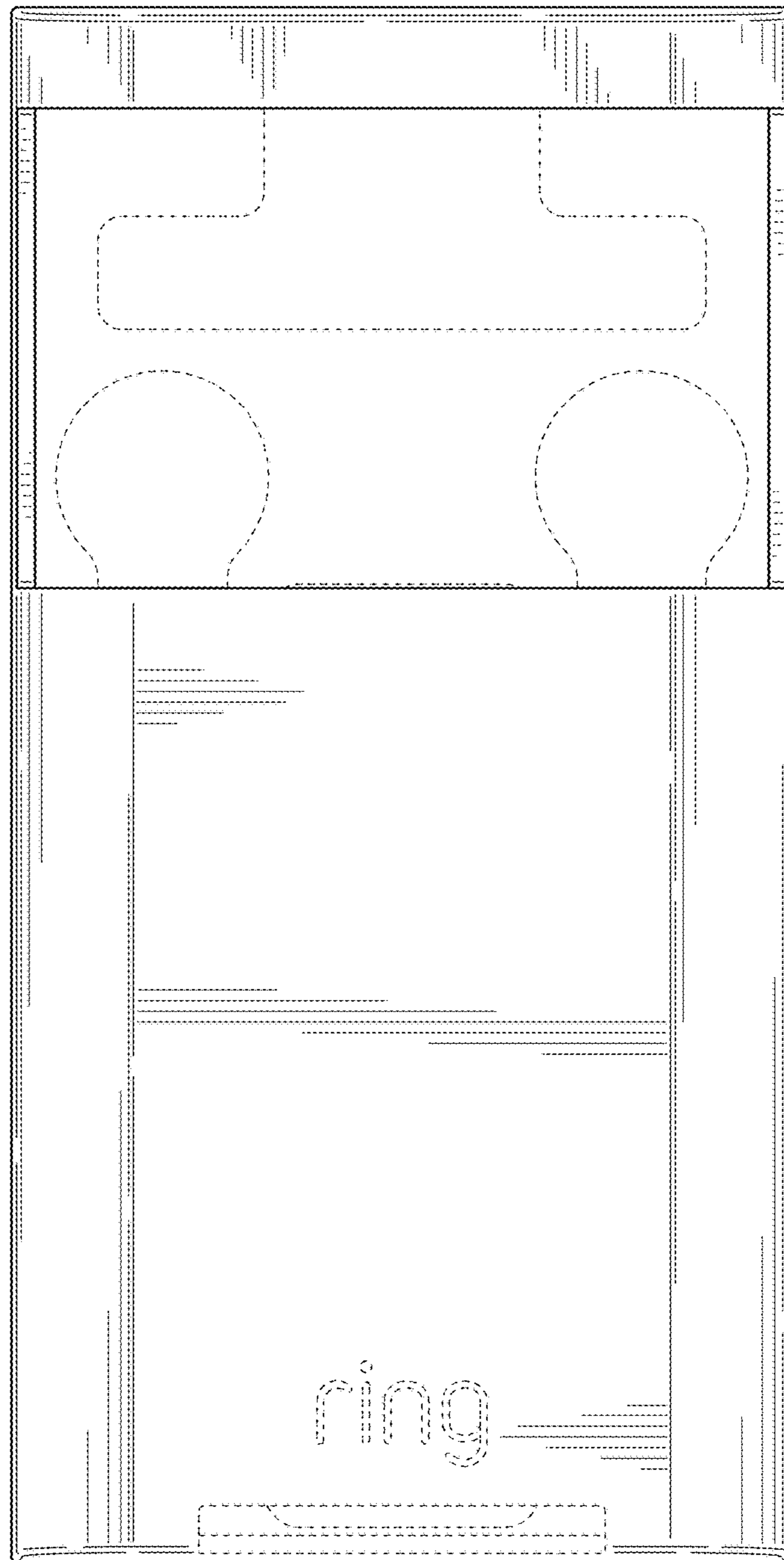


FIG. 2

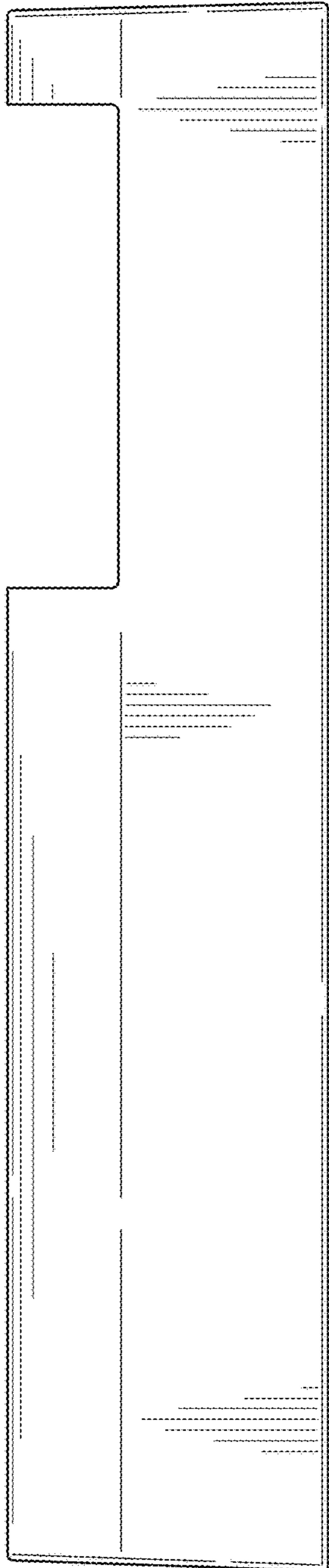


FIG. 3

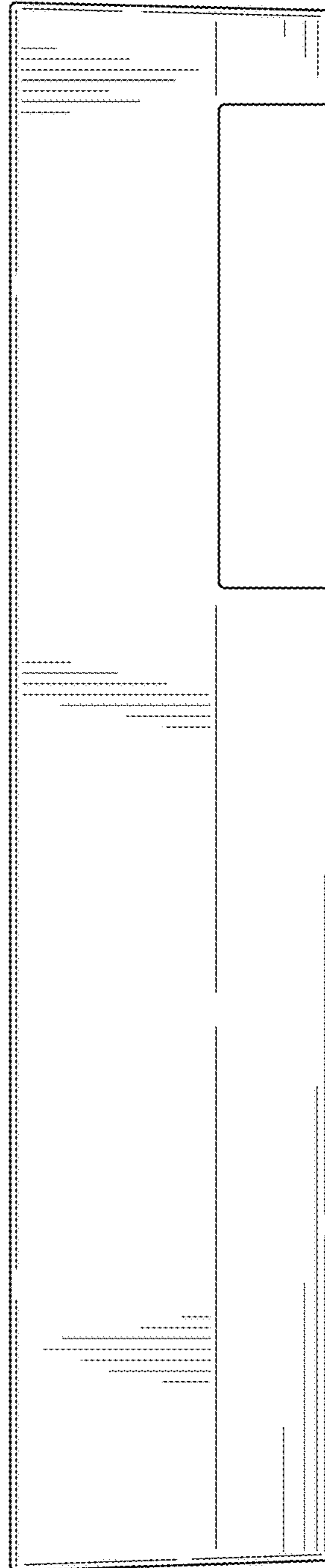


FIG. 4

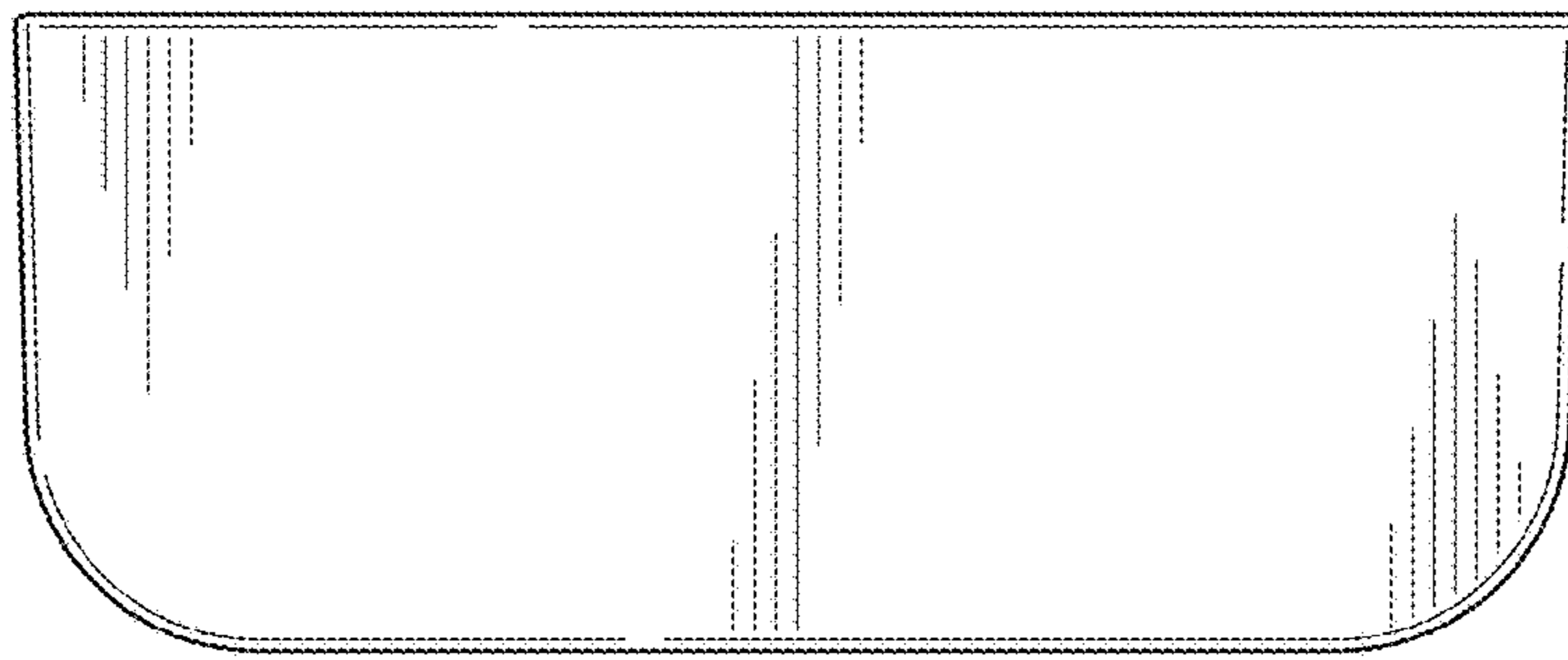


FIG. 5

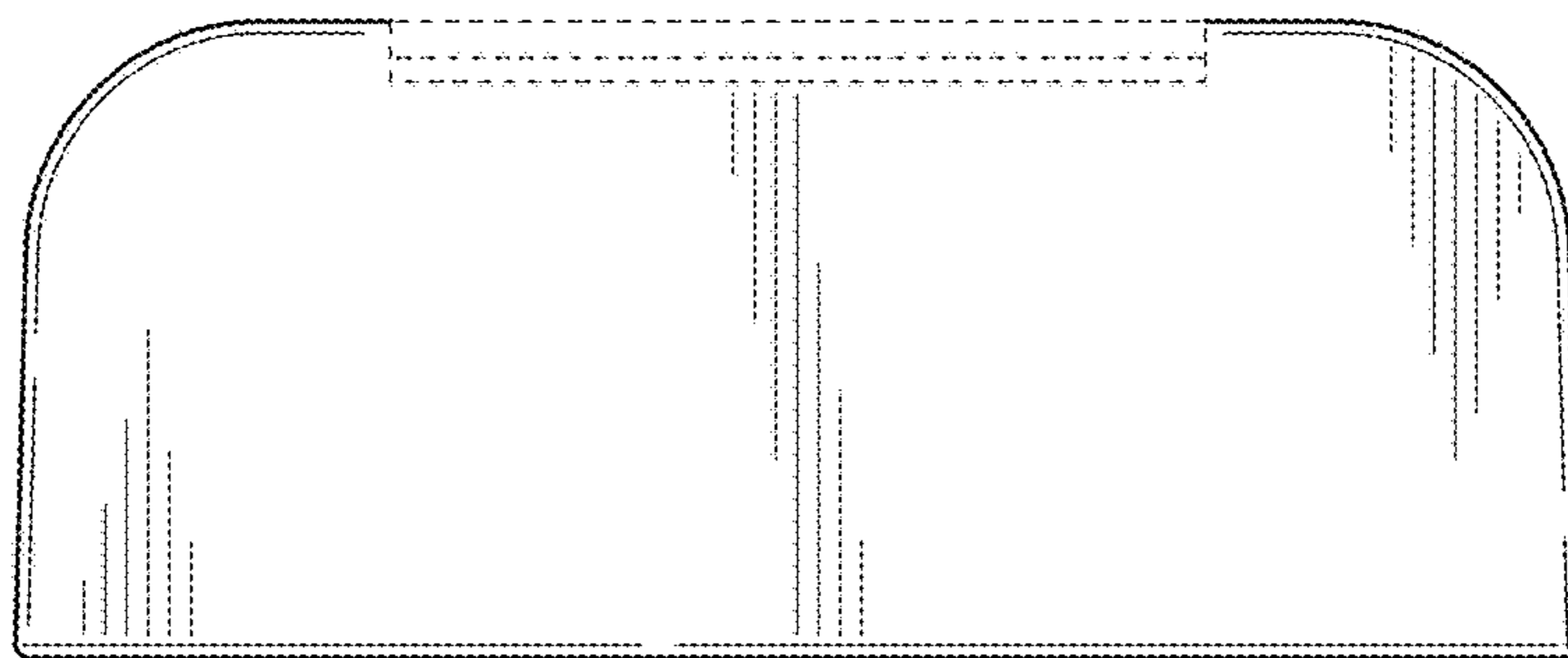


FIG. 6