



US00D852863S

(12) **United States Design Patent**
Dosho et al.

(10) **Patent No.:** **US D852,863 S**

(45) **Date of Patent:** **** Jul. 2, 2019**

(54) **INDUSTRIAL ROBOT**

(71) Applicant: **MITSUBISHI ELECTRIC CORPORATION**, Tokyo (JP)

(72) Inventors: **Yusuke Dosho**, Tokyo (JP); **Yuki Mizushi**, Tokyo (JP)

(73) Assignee: **Mitsubishi Electric Corporation**, Tokyo (JP)

(**) Term: **15 Years**

(21) Appl. No.: **29/646,201**

(22) Filed: **May 2, 2018**

(30) **Foreign Application Priority Data**

Nov. 22, 2017 (JP) 2017-026040

(51) **LOC (11) Cl.** **15-99**

(52) **U.S. Cl.**
USPC **D15/199**

(58) **Field of Classification Search**
USPC D15/122, 199; D21/578-583, 621, 622;
D23/259, 262, 263
CPC A63H 3/00; B25J 9/00; B25J 9/104; B25J
9/161; B25J 9/1617; G05B 19/00; G05B
2219/33105; G05B 2219/36433; G05B
2219/39335; G05B 2219/39427; G05B
2219/40304; G06C 7/60; G06N 3/00;
G06N 3/004; G06N 3/006; G06N 3/008;
G06N 5/00
See application file for complete search history.

(56) **References Cited**

U.S. PATENT DOCUMENTS

D461,484 S * 8/2002 Kraft D15/199
D646,703 S * 10/2011 Wong D15/199
D650,820 S * 12/2011 Long D15/199
D655,324 S * 3/2012 Wong D15/199
D670,319 S * 11/2012 Liu D15/199
D677,294 S * 3/2013 Long D15/199

D692,041 S * 10/2013 Selic D15/199
D716,357 S * 10/2014 Gombert D15/199
D761,339 S * 7/2016 White, Jr. D15/199
D766,348 S * 9/2016 Long D15/199
D776,178 S * 1/2017 Ries D15/199
D802,041 S * 11/2017 He D15/199
D824,977 S * 8/2018 Everman D15/199
D830,439 S * 10/2018 Park D15/199

(Continued)

OTHER PUBLICATIONS

An Office Action mailed by the Taiwanese Patent Office on Oct. 15, 2018, which corresponds to Taiwanese Patent Application No. 107302562 and is related to U.S. Appl. No. 29/646,201; with English translation.

Primary Examiner — Patricia A Palasik

(74) *Attorney, Agent, or Firm* — Studebaker & Brackett PC

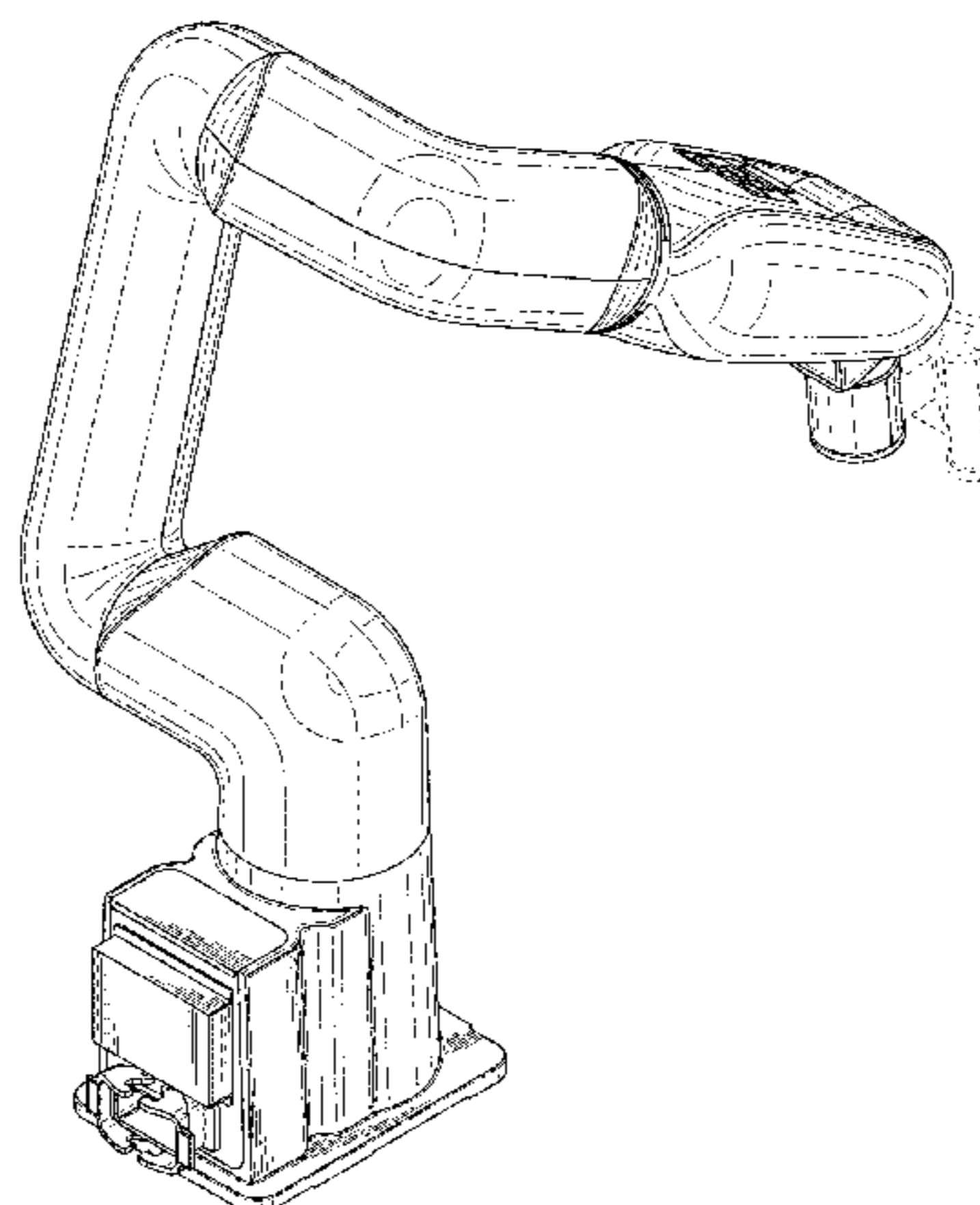
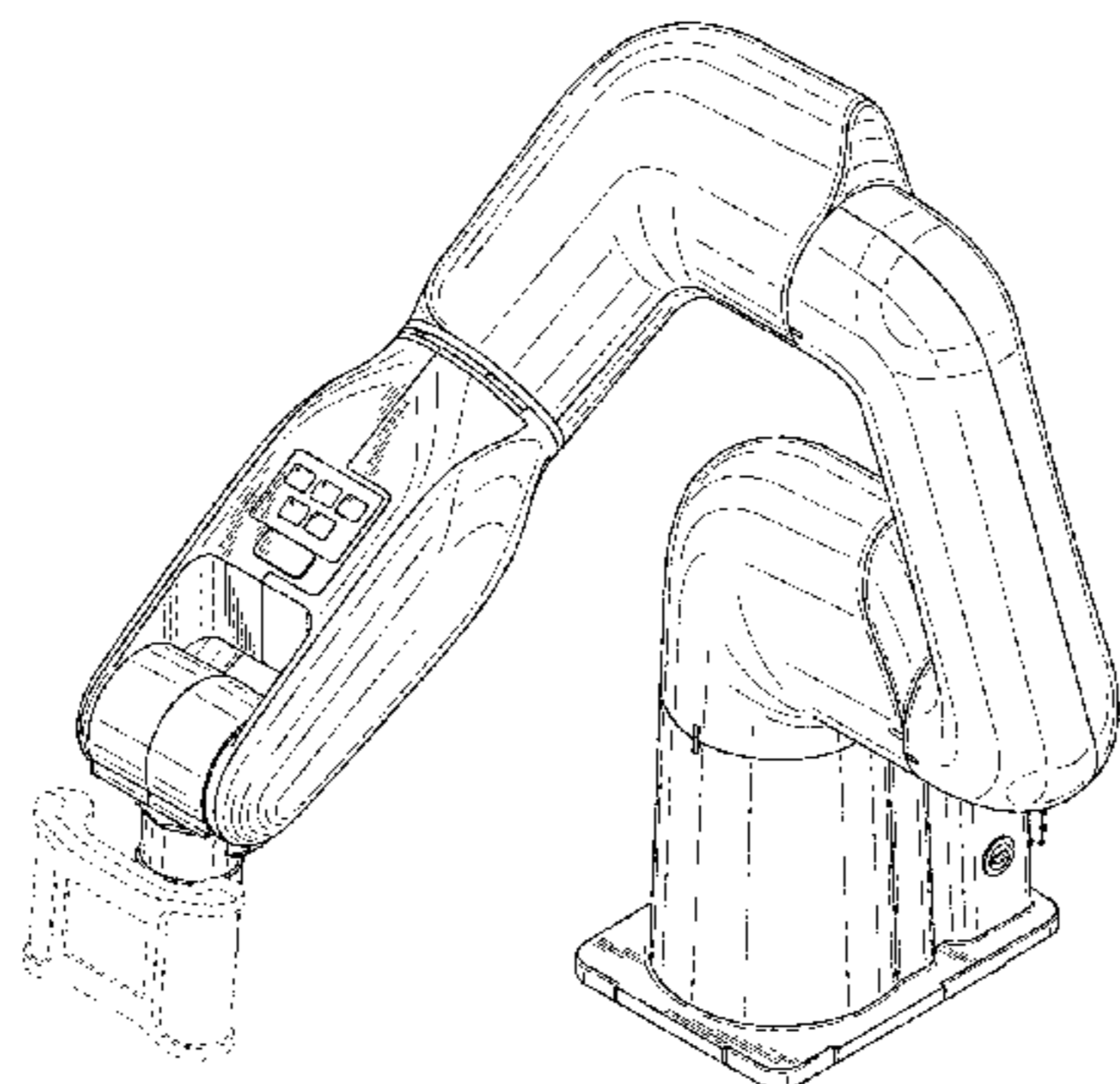
(57) **CLAIM**

The ornamental design for an industrial robot, as shown and described.

DESCRIPTION

FIG. 1 is a front perspective view of the front, right, and top sides of an industrial robot showing our new design;
FIG. 2 is a rear perspective view of the rear, left, and top sides;
FIG. 3 is a front view thereof;
FIG. 4 is a rear view thereof;
FIG. 5 is a top view thereof;
FIG. 6 is a bottom view thereof;
FIG. 7 is a right side view thereof;
FIG. 8 is a left side view thereof;
FIG. 9 is an enlarged view of a part 9-9; and,
FIG. 10 is an enlarged view of a part 10-10.
The broken lines shown represent unclaimed subject matter of the industrial robot and form no part of the claimed design.

1 Claim, 10 Drawing Sheets



(56)

References Cited

U.S. PATENT DOCUMENTS

D831,087 S * 10/2018 Morimoto D15/199
D837,294 S * 1/2019 Ciniello D19/59
D837,853 S * 1/2019 Deng D15/199
D838,759 S * 1/2019 Kowalski D15/199
2010/0131099 A1* 5/2010 Birkenbach G05B 19/402
700/254
2011/0064554 A1* 3/2011 Ito B25J 9/047
414/735
2011/0107866 A1* 5/2011 Oka B25J 9/0084
74/490.03
2013/0116821 A1* 5/2013 Joly B25J 9/161
700/254
2013/0125694 A1* 5/2013 Long B25J 11/0075
74/490.01
2014/0102239 A1* 4/2014 Umeno B25J 15/0033
74/490.01
2014/0137687 A1* 5/2014 Nogami B25J 18/00
74/490.03
2016/0331482 A1* 11/2016 Hares B25J 9/1689

* cited by examiner

FIG. 1

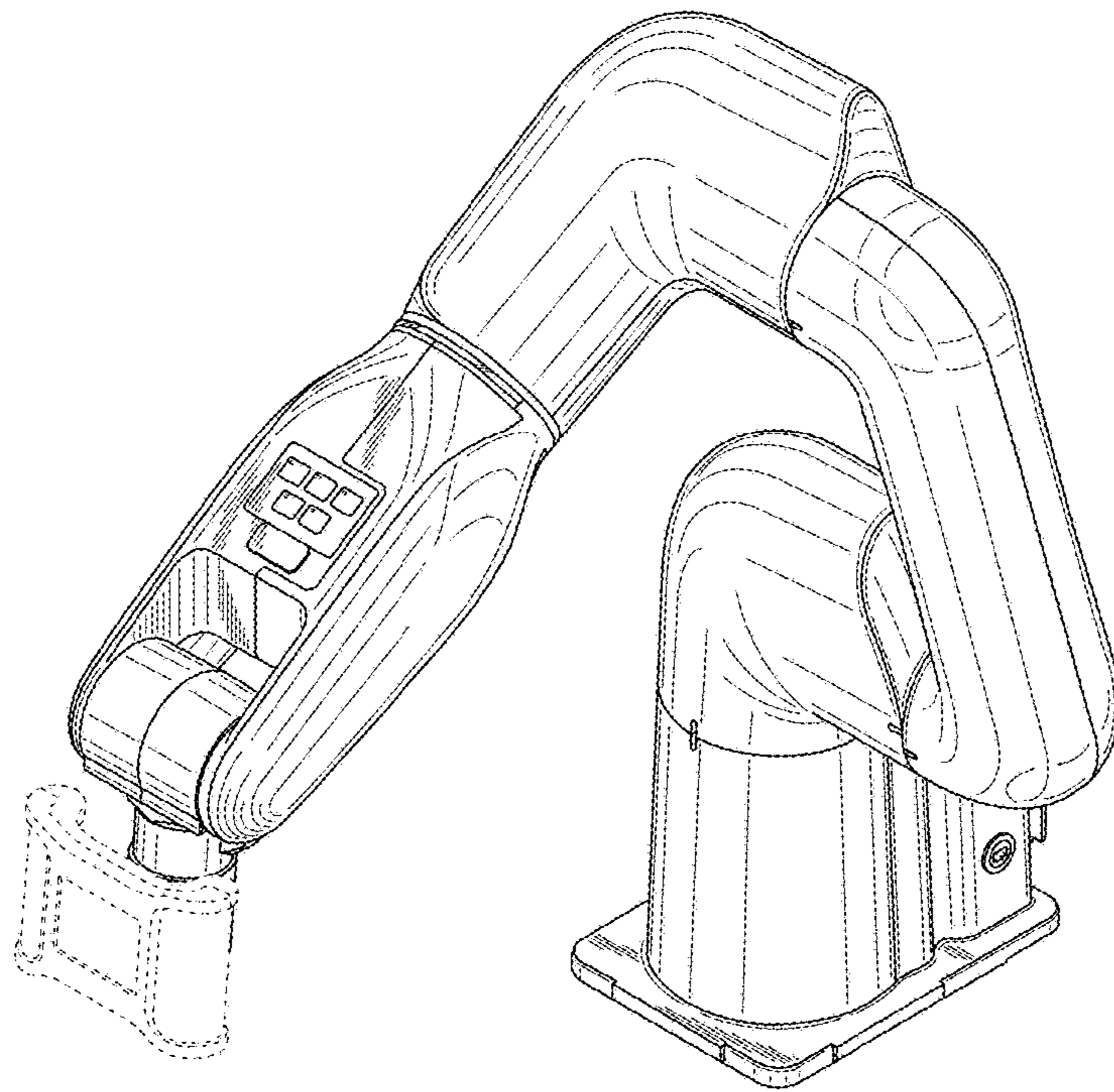


FIG. 2

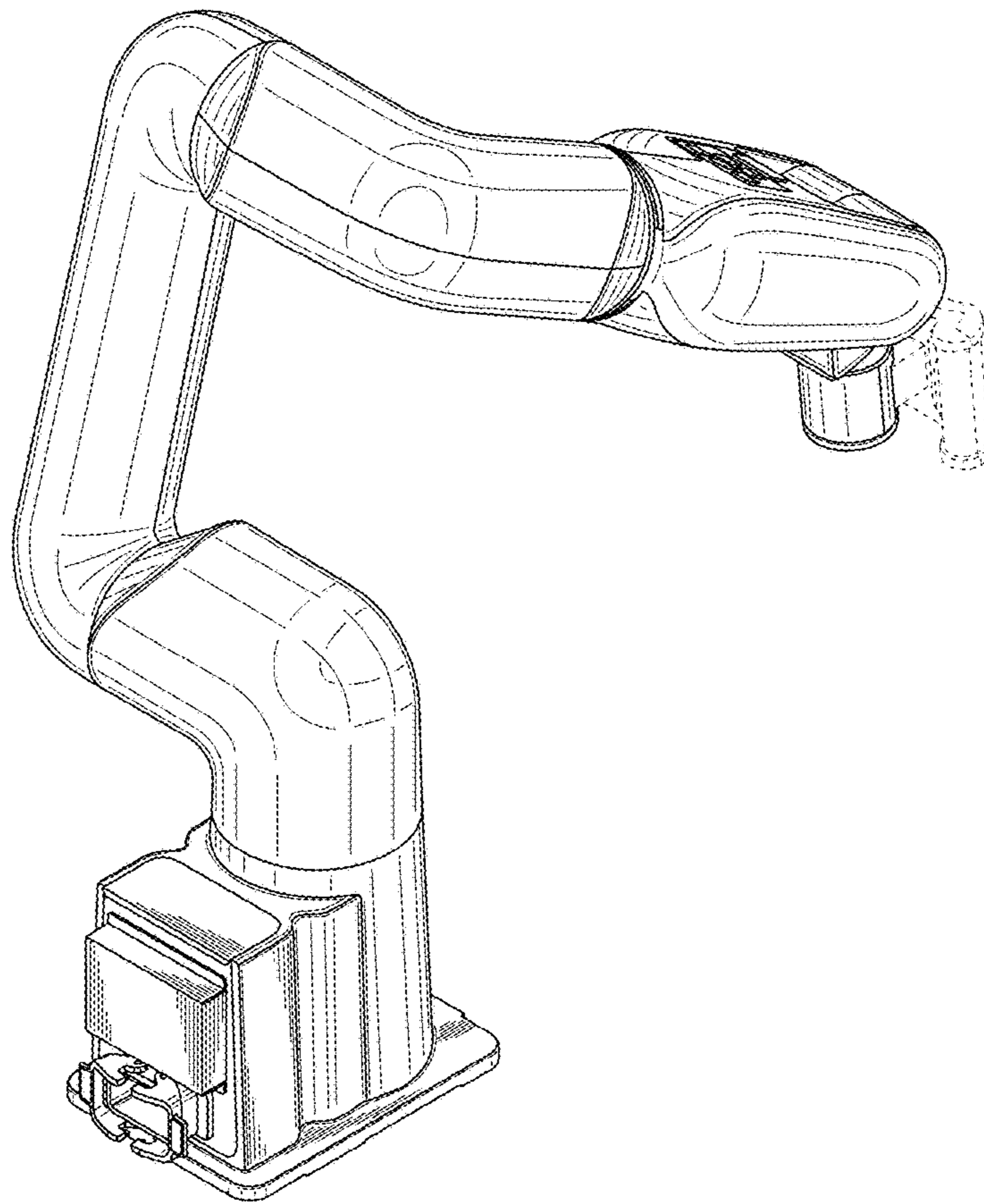


FIG. 3

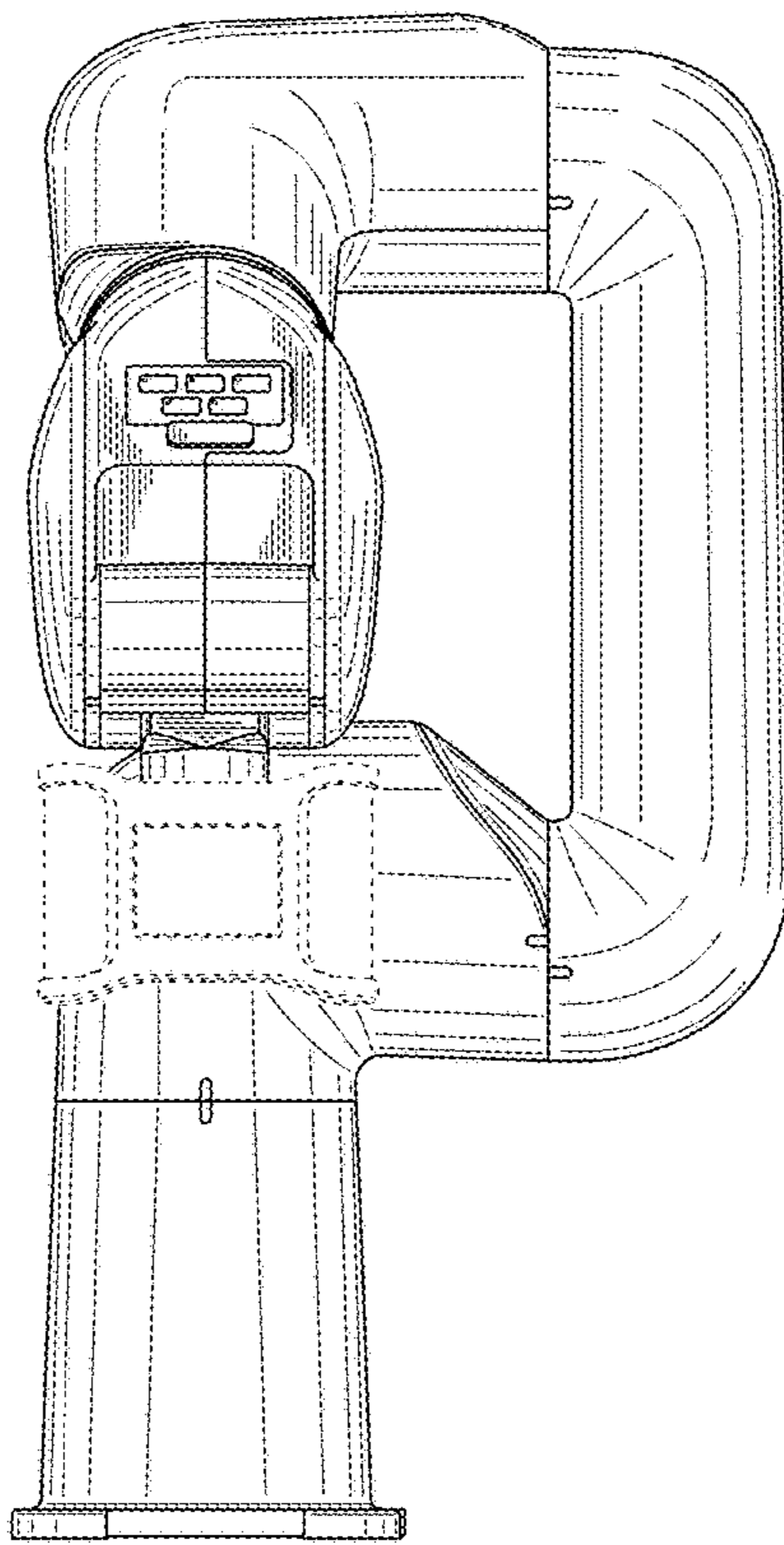


FIG. 4

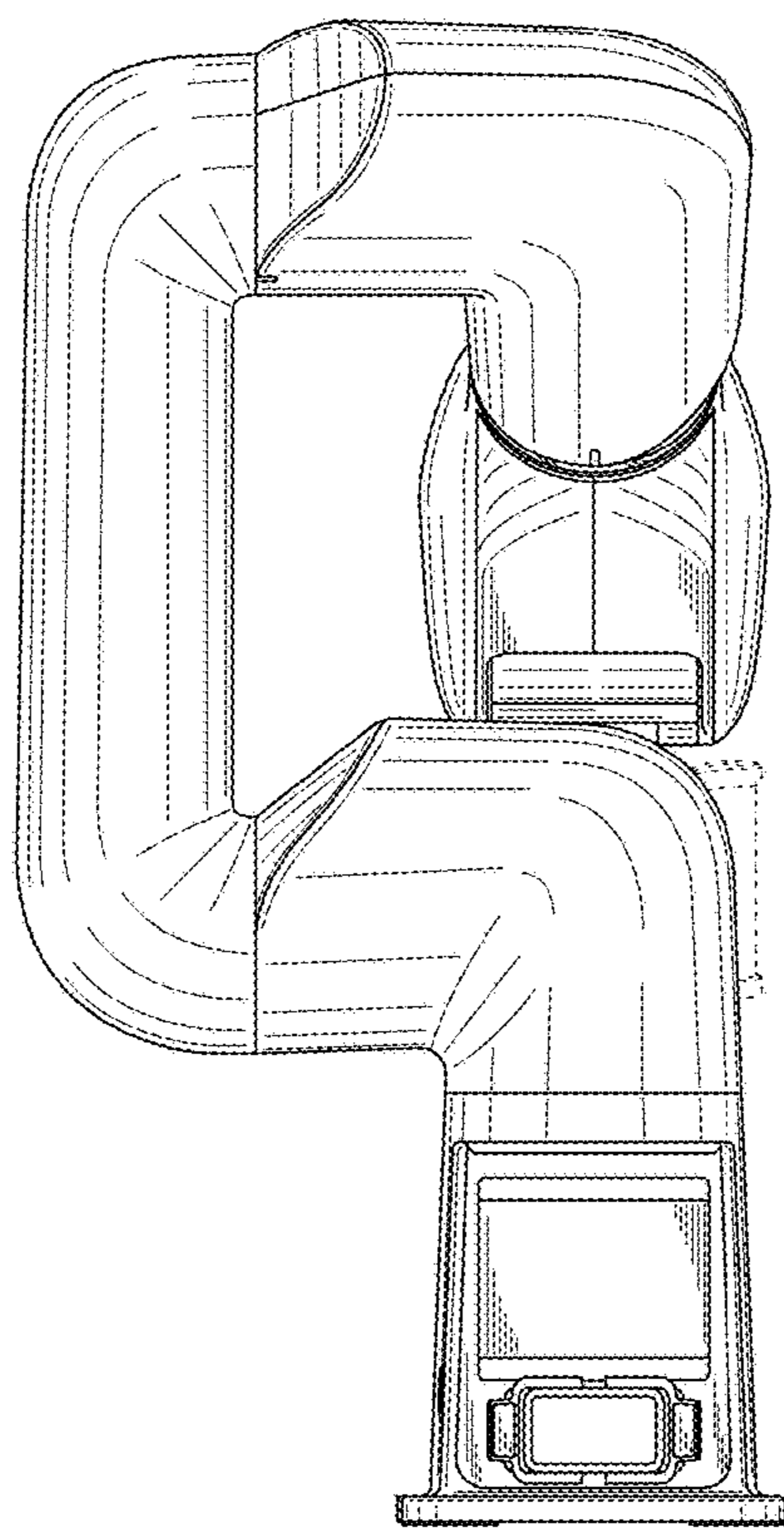


FIG. 5

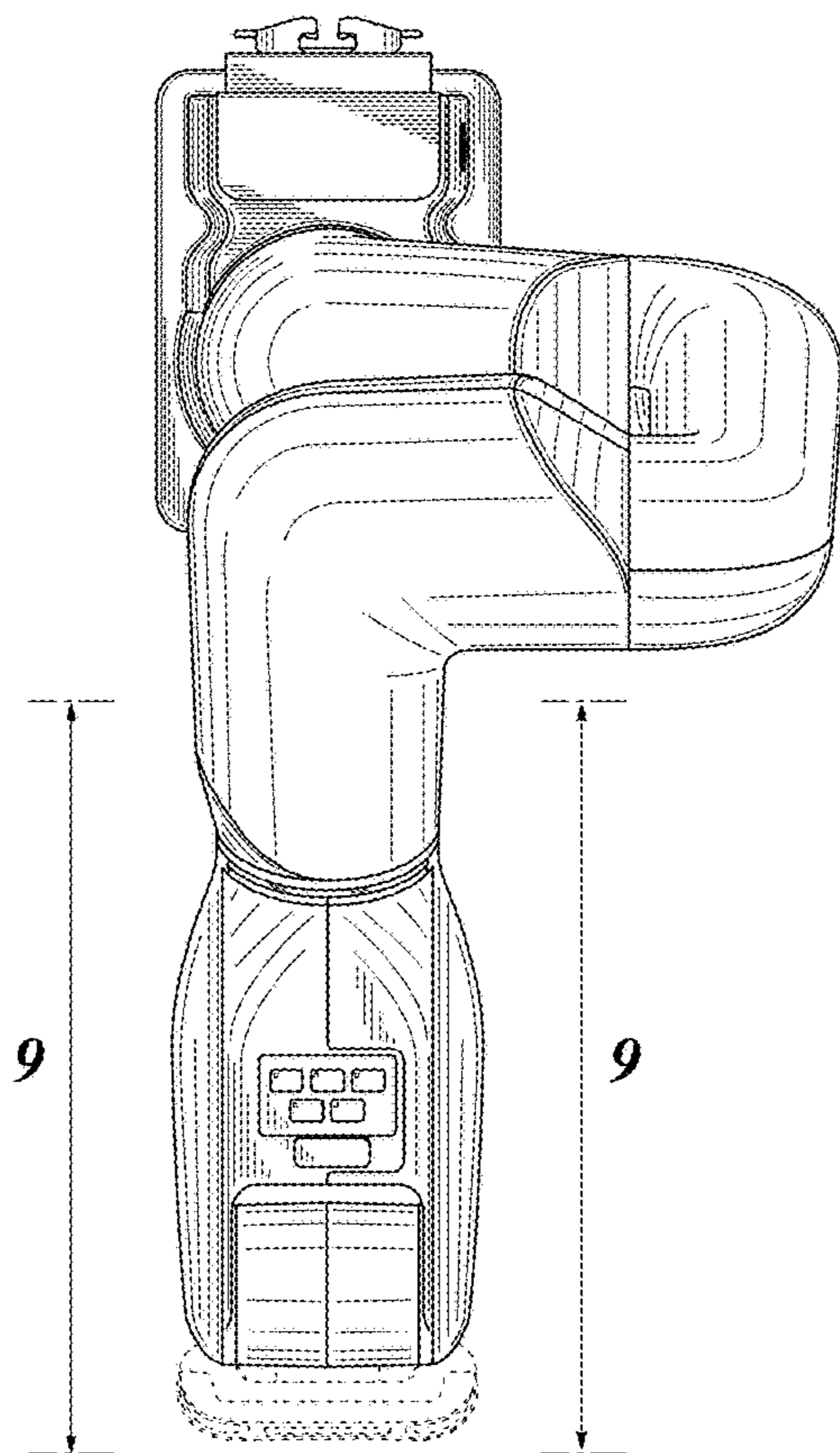


FIG. 6

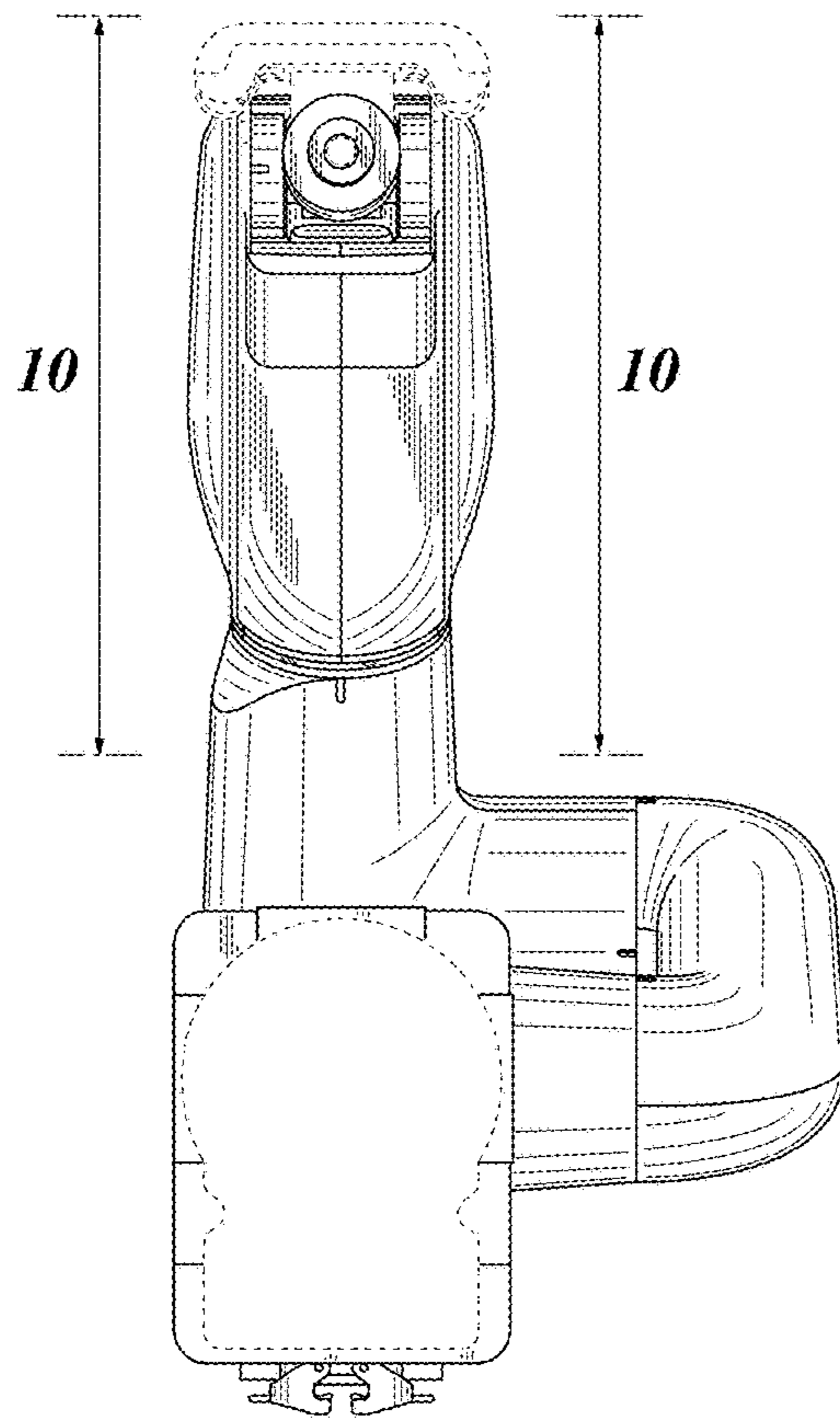


FIG. 7

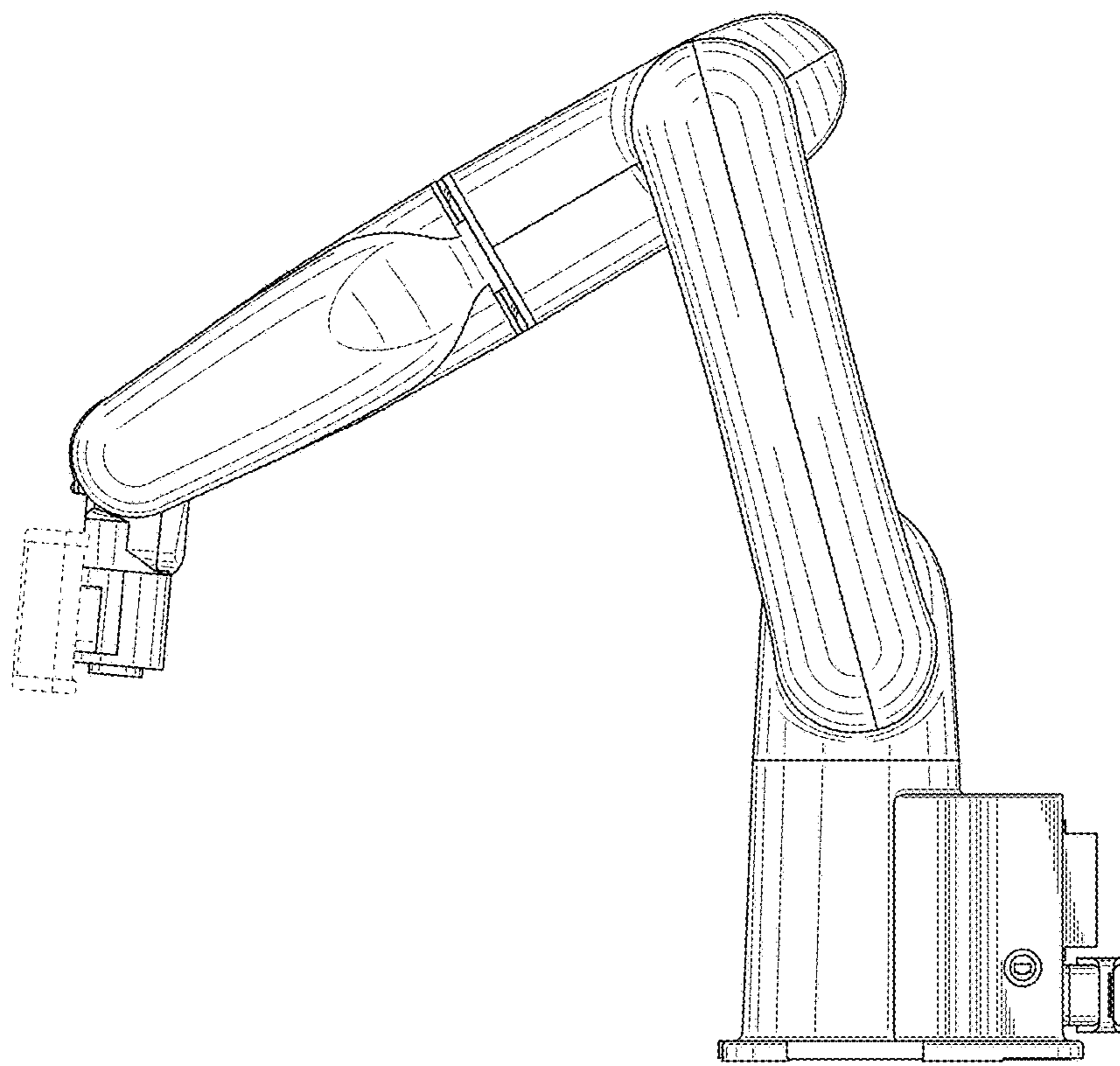


FIG. 8

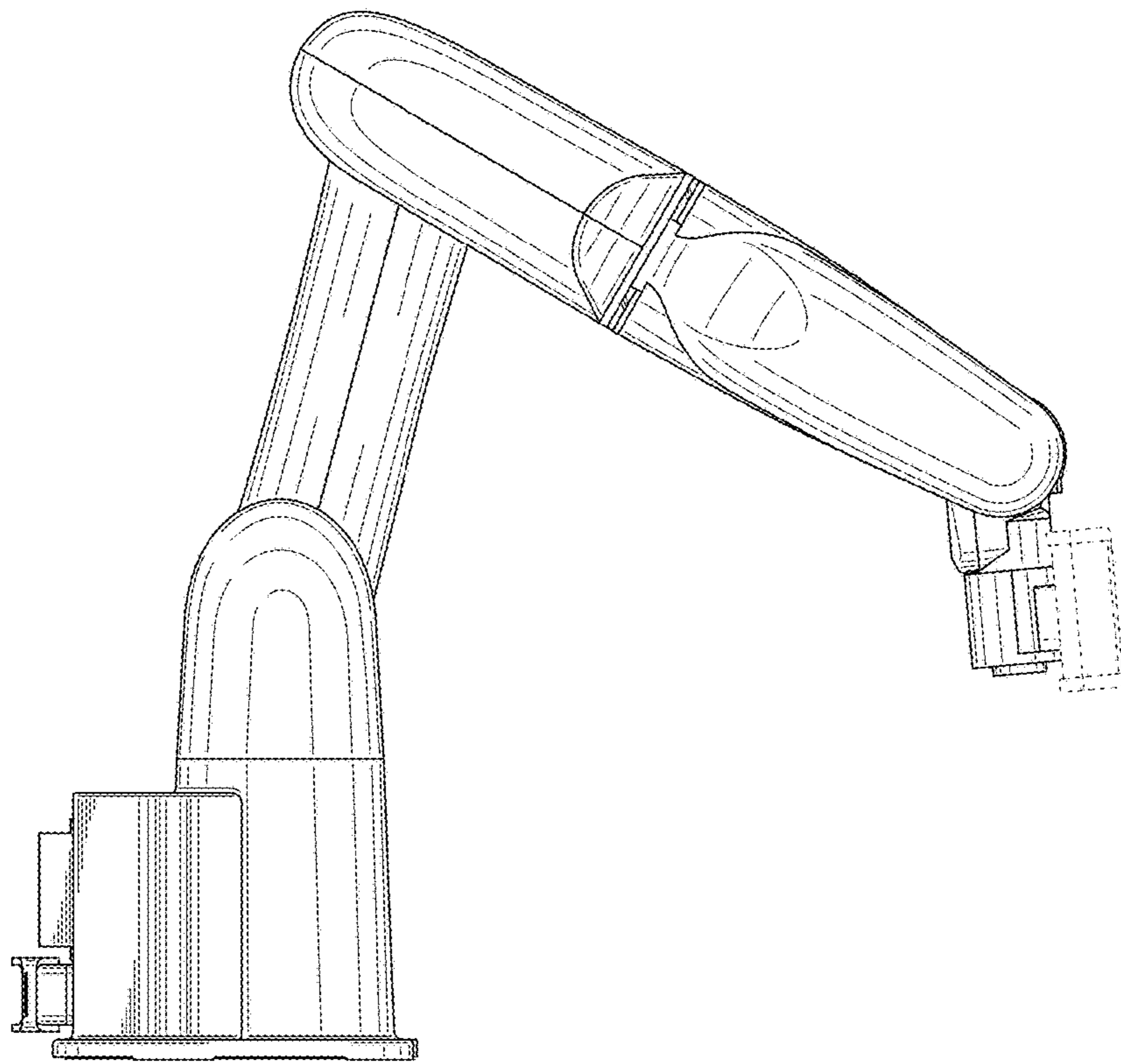


FIG. 9

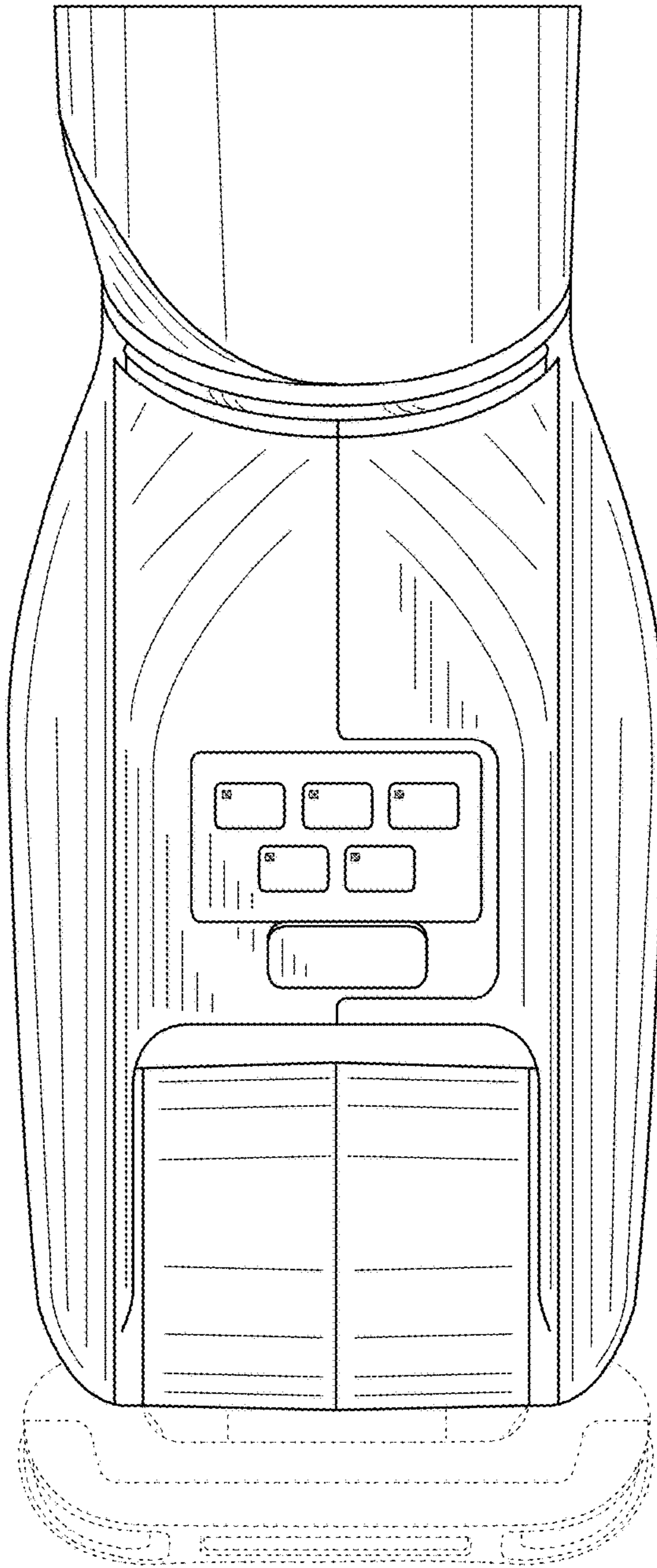


FIG. 10

