



US00D852855S

(12) **United States Design Patent**
Landon

(10) **Patent No.:** **US D852,855 S**
(45) **Date of Patent:** **** Jul. 2, 2019**

(54) **SAW BLADE**

(71) Applicant: **MILWAUKEE ELECTRIC TOOL CORPORATION**, Brookfield, WI (US)

(72) Inventor: **Edward Landon**, Slinger, WI (US)

(73) Assignee: **MILWAUKEE ELECTRIC TOOL CORPORATION**, Brookfield, WI (US)

(**) Term: **15 Years**

(21) Appl. No.: **29/605,233**

(22) Filed: **May 24, 2017**

(51) **LOC (11) Cl.** **15-09**

(52) **U.S. Cl.**
USPC **D15/133; D8/70**

(58) **Field of Classification Search**
USPC **D8/20, 66, 70; D15/133, 138, 139**
(Continued)

(56) **References Cited**

U.S. PATENT DOCUMENTS

2,912,021 A 11/1959 Gommel
D341,304 S * 11/1993 Johnston D8/64
(Continued)

Primary Examiner — Darlington Ly

(74) *Attorney, Agent, or Firm* — Michael Best & Friedrich LLP

(57) **CLAIM**

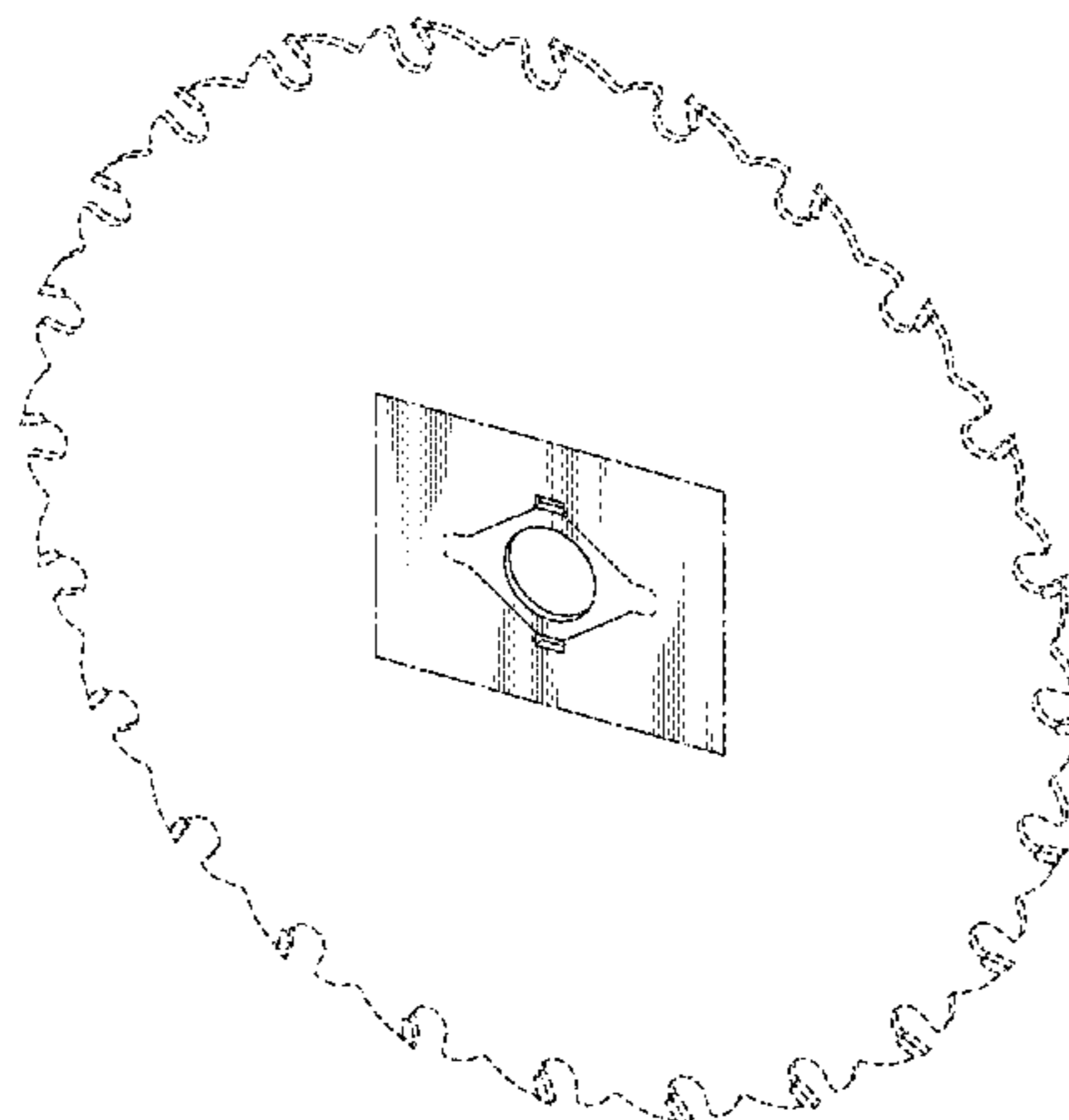
I claim the ornamental design for a saw blade, as shown and described.

DESCRIPTION

FIG. 1 is a perspective view of a saw blade embodying the invention.

FIG. 2 is a front view of the saw blade of FIG. 1.
FIG. 3 is a top view of the saw blade of FIG. 1.
FIG. 4 is a bottom view of the saw blade of FIG. 1.
FIG. 5 is a first side view of the saw blade of FIG. 1.
FIG. 6 is a second side view of the saw blade of FIG. 1.
FIG. 7 is a perspective view of another saw blade embodying the invention.
FIG. 8 is a front view of the saw blade of FIG. 7.
FIG. 9 is a top view of the saw blade of FIG. 7.
FIG. 10 is a bottom view of the saw blade of FIG. 7.
FIG. 11 is a first side view of the saw blade of FIG. 7.
FIG. 12 is a second side view of the saw blade of FIG. 7.
FIG. 13 is a perspective view of another saw blade embodying the invention.
FIG. 14 is a front view of the saw blade of FIG. 13.
FIG. 15 is a top view of the saw blade of FIG. 13.
FIG. 16 is a bottom view of the saw blade of FIG. 13.
FIG. 17 is a first side view of the saw blade of FIG. 13.
FIG. 18 is a second side view of the saw blade of FIG. 13.
FIG. 19 is a perspective view of another saw blade embodying the invention.
FIG. 20 is a front view of the saw blade of FIG. 19.
FIG. 21 is a top view of the saw blade of FIG. 19.
FIG. 22 is a bottom view of the saw blade of FIG. 19.
FIG. 23 is a first side view of the saw blade of FIG. 19.
FIG. 24 is a second side view of the saw blade of FIG. 19.
FIG. 25 is a perspective view of another saw blade embodying the invention.
FIG. 26 is a front view of the saw blade of FIG. 25.
FIG. 27 is a top view of the saw blade of FIG. 25.
FIG. 28 is a bottom view of the saw blade of FIG. 25.
FIG. 29 is a first side view of the saw blade of FIG. 25; and, FIG. 30 is a second side view of the saw blade of FIG. 25.
The dash-dash broken lines in the drawings illustrate portions of the saw blade that form no part of the claimed design. The dash-dot broken lines, to which are not part of the claim, define the boundaries of the claimed design.

1 Claim, 20 Drawing Sheets



(58) **Field of Classification Search**

CPC B23D 61/006; B23D 65/00; B26D 7/086;
B26D 7/2614

See application file for complete search history.

(56) **References Cited**

U.S. PATENT DOCUMENTS

5,351,595 A * 10/1994 Johnston B23D 61/021
83/835
D380,660 S * 7/1997 Gakhar D8/70
D382,185 S * 8/1997 Gakhar D8/70
D382,186 S * 8/1997 Gakhar D8/70
D382,786 S * 8/1997 Achterberg D8/70
D382,787 S * 8/1997 Gakhar D8/70
D392,864 S * 3/1998 Koike D15/139
D449,769 S * 10/2001 Curtsinger D8/74
6,729,220 B2 5/2004 Curtsinger
6,910,575 B2 * 6/2005 Curtsinger B23D 59/00
206/303
7,140,287 B2 * 11/2006 Lowder B23D 61/021
83/848
D559,638 S * 1/2008 Park D15/139
D677,290 S * 3/2013 Brutscher D15/133
D677,291 S * 3/2013 Brutscher D15/133
D697,774 S * 1/2014 Bozic D8/70
D724,124 S * 3/2015 Vicchio D15/133
D782,261 S * 3/2017 Guth D8/20
D813,635 S * 3/2018 Brutscher D8/70
2002/0124707 A1 * 9/2002 Izard B23D 61/025
83/835
2012/0192694 A1 * 8/2012 Brutscher B23D 61/025
83/835

* cited by examiner

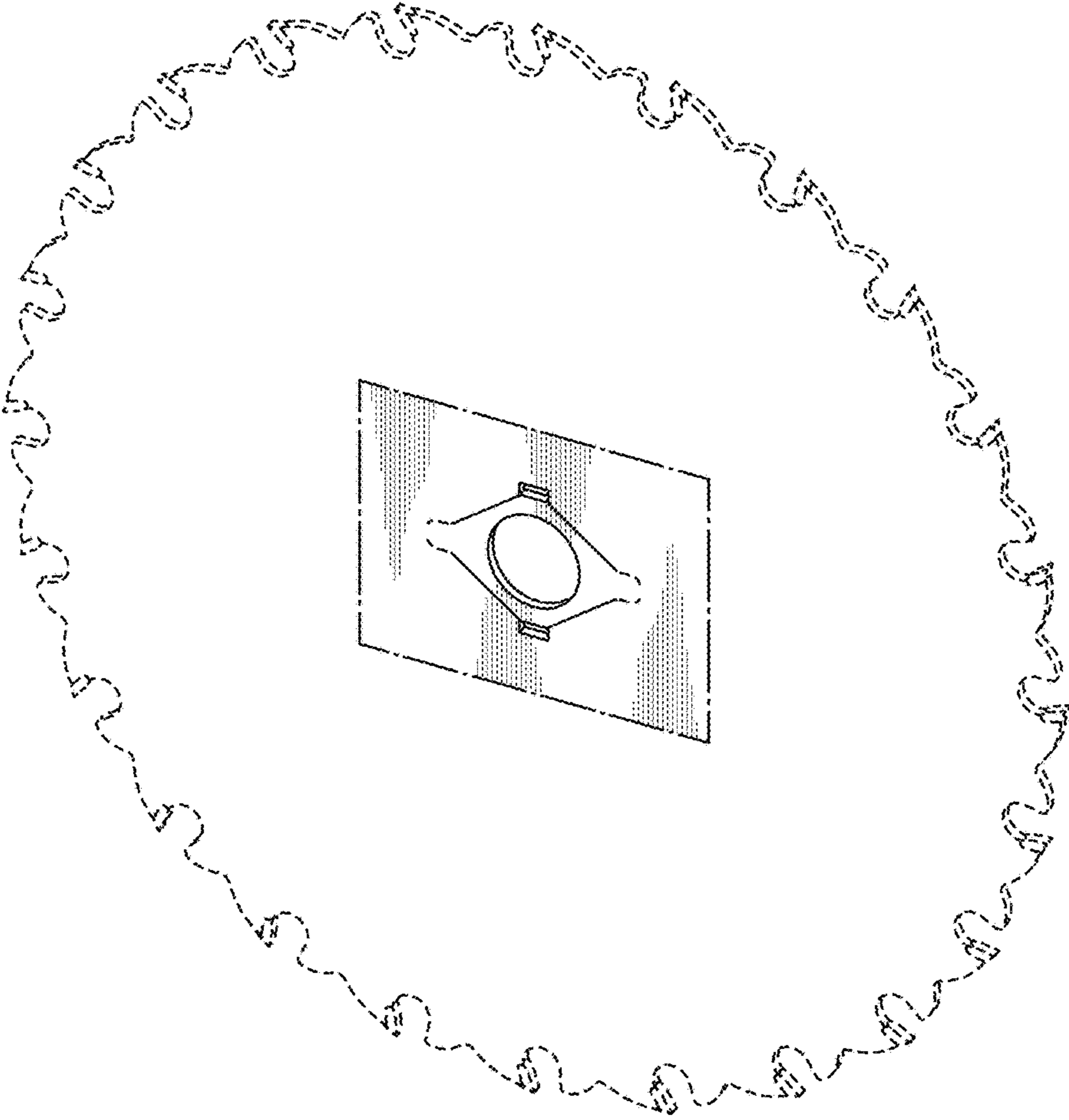


FIG. 1

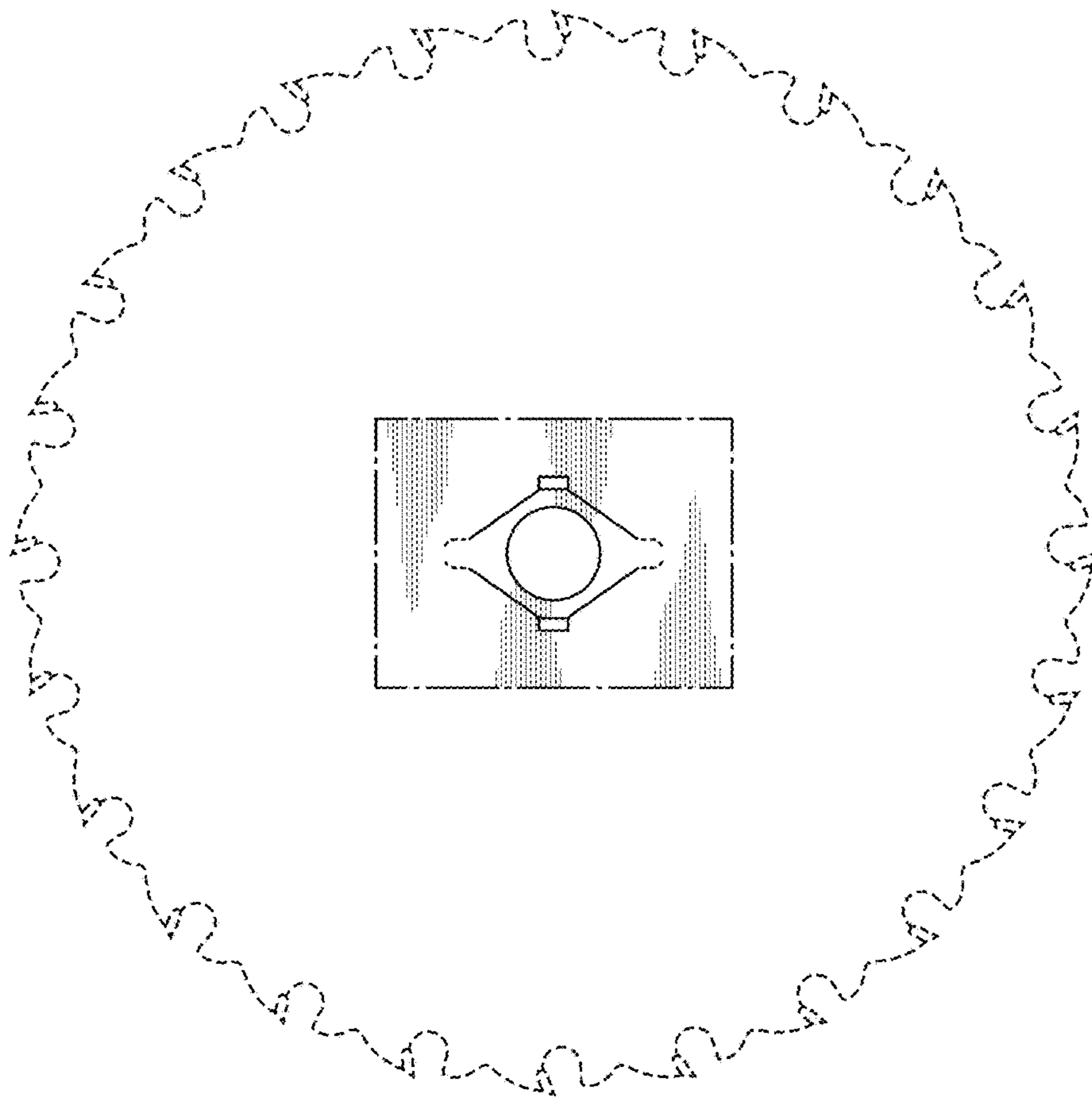


FIG. 2



FIG. 3

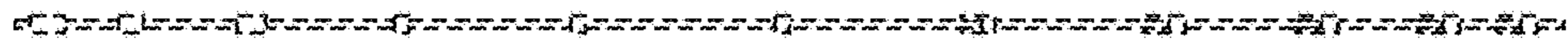


FIG. 4



FIG. 5



FIG. 6

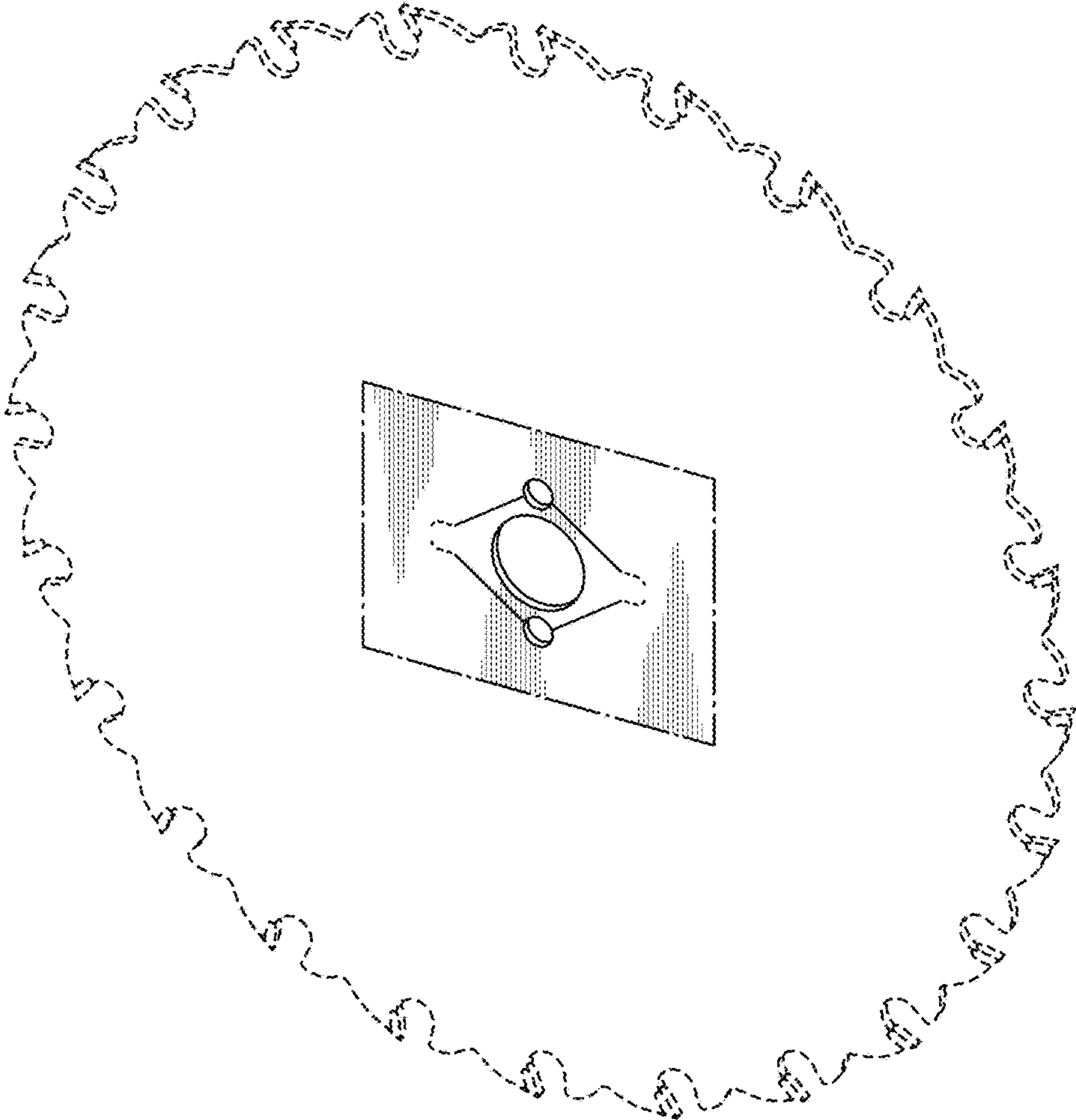


FIG. 7

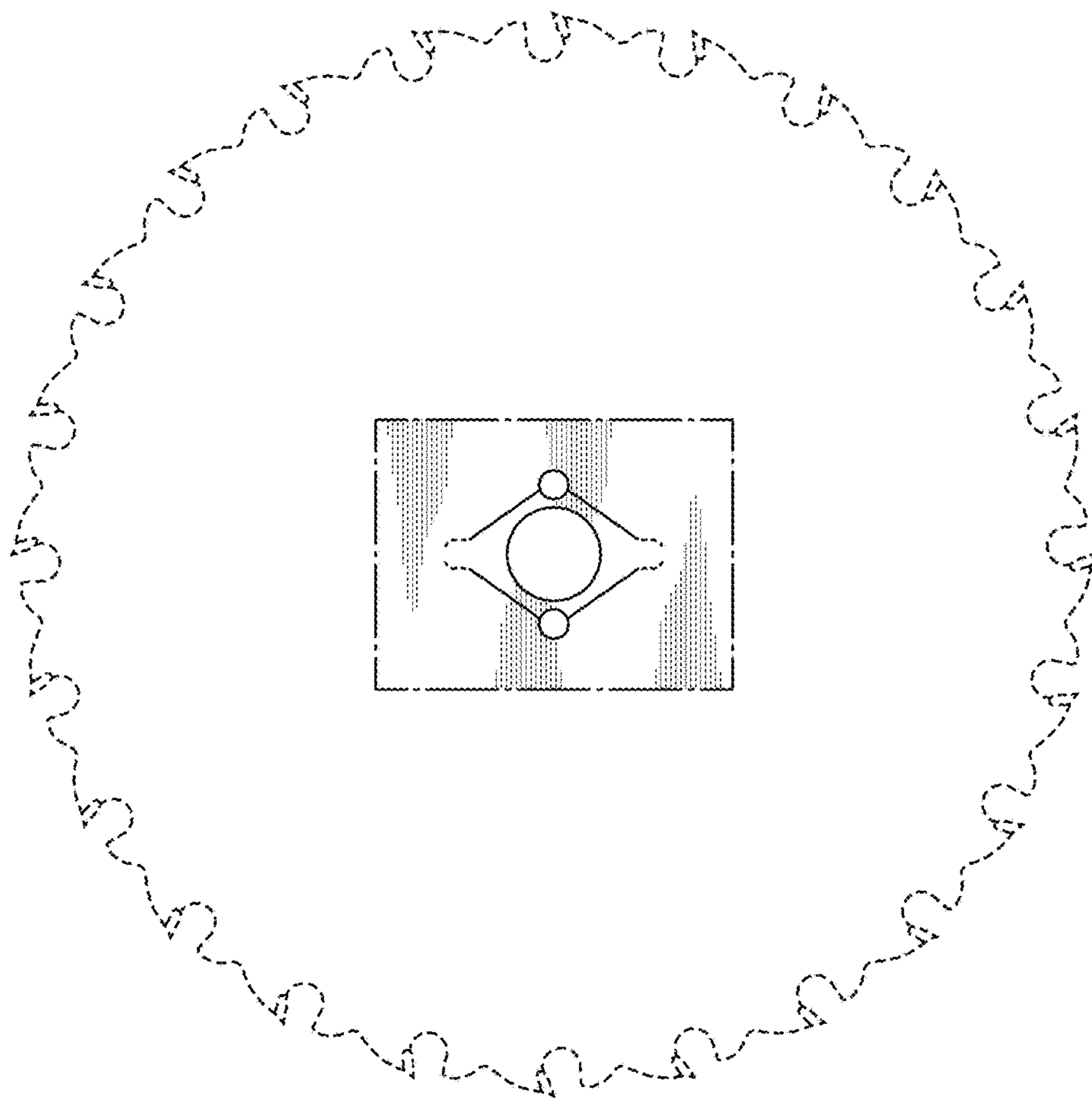


FIG. 8



FIG. 9

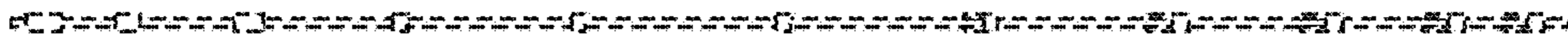


FIG. 10



FIG. 11



FIG. 12

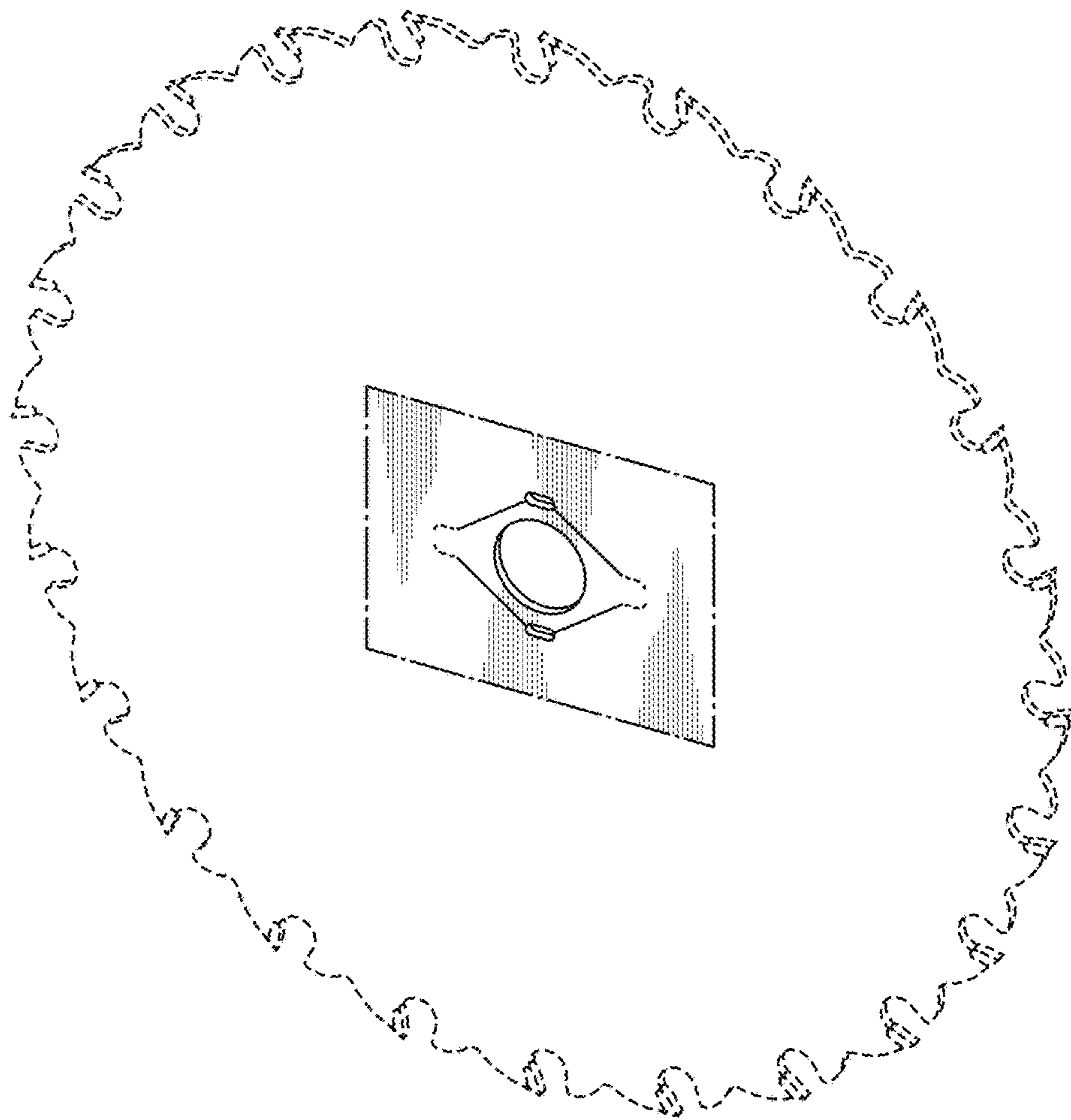


FIG. 13

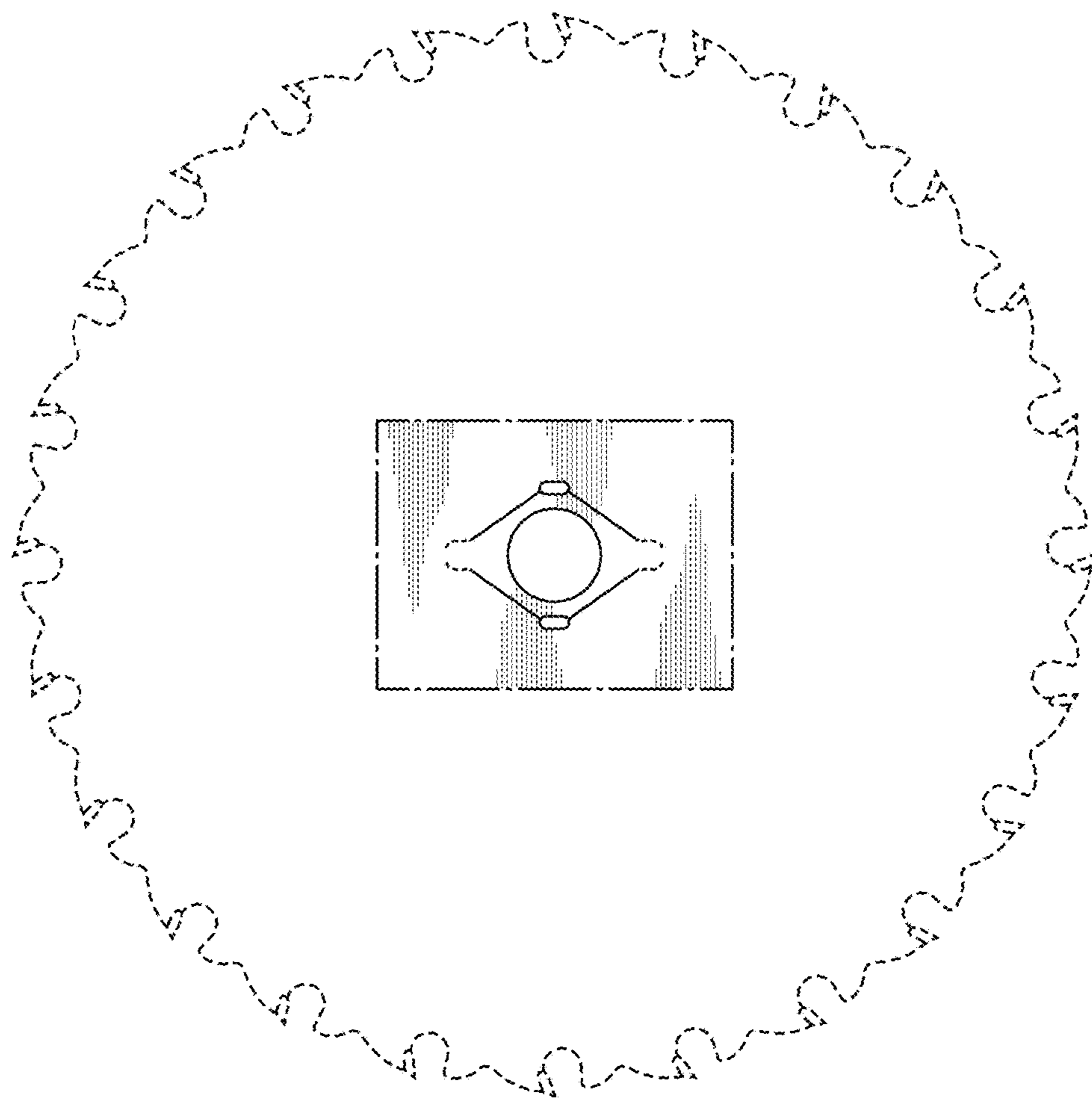


FIG. 14

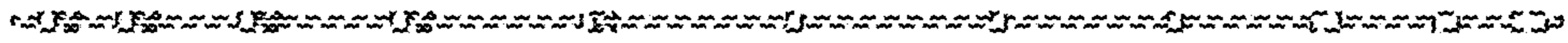


FIG. 15

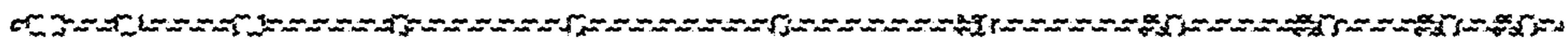


FIG. 16



FIG. 17



FIG. 18

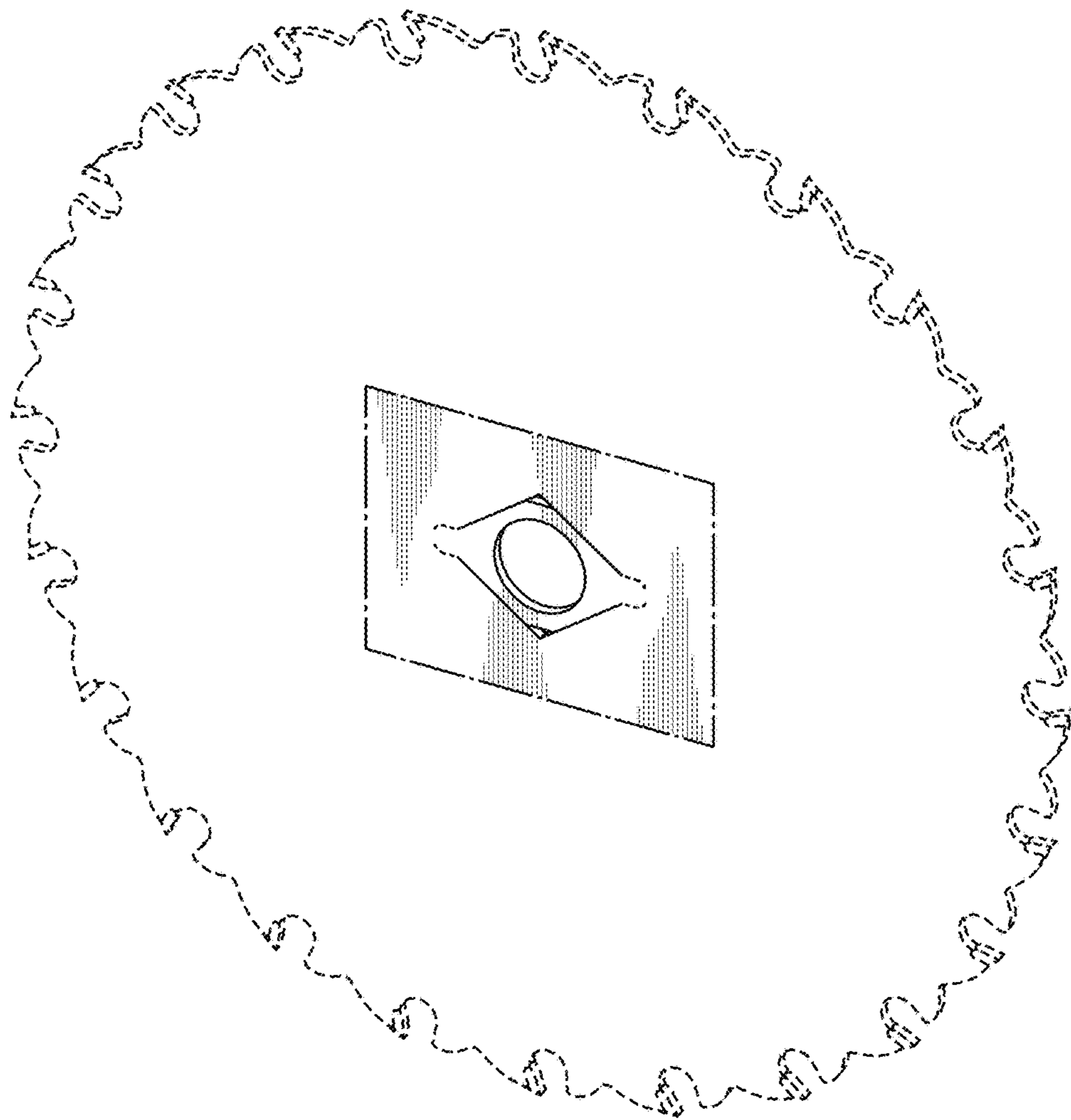


FIG. 19

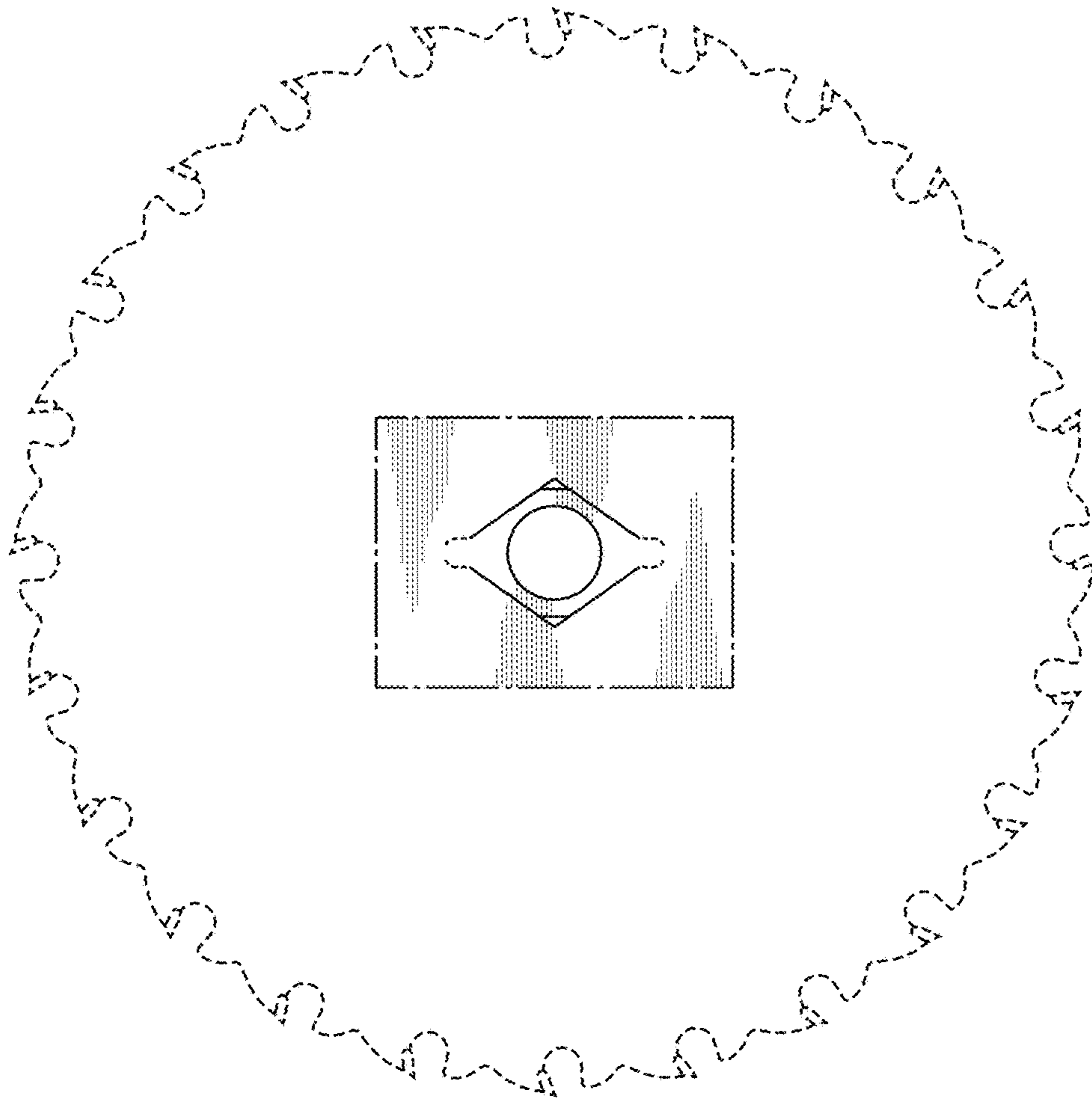


FIG. 20

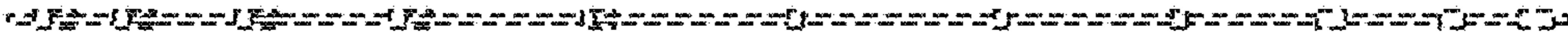


FIG. 21

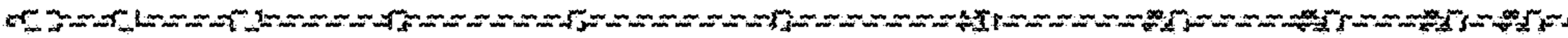


FIG. 22

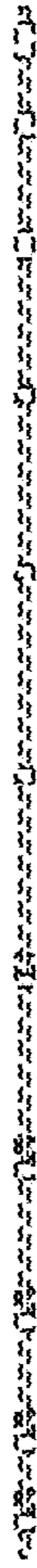


FIG. 23



FIG. 24

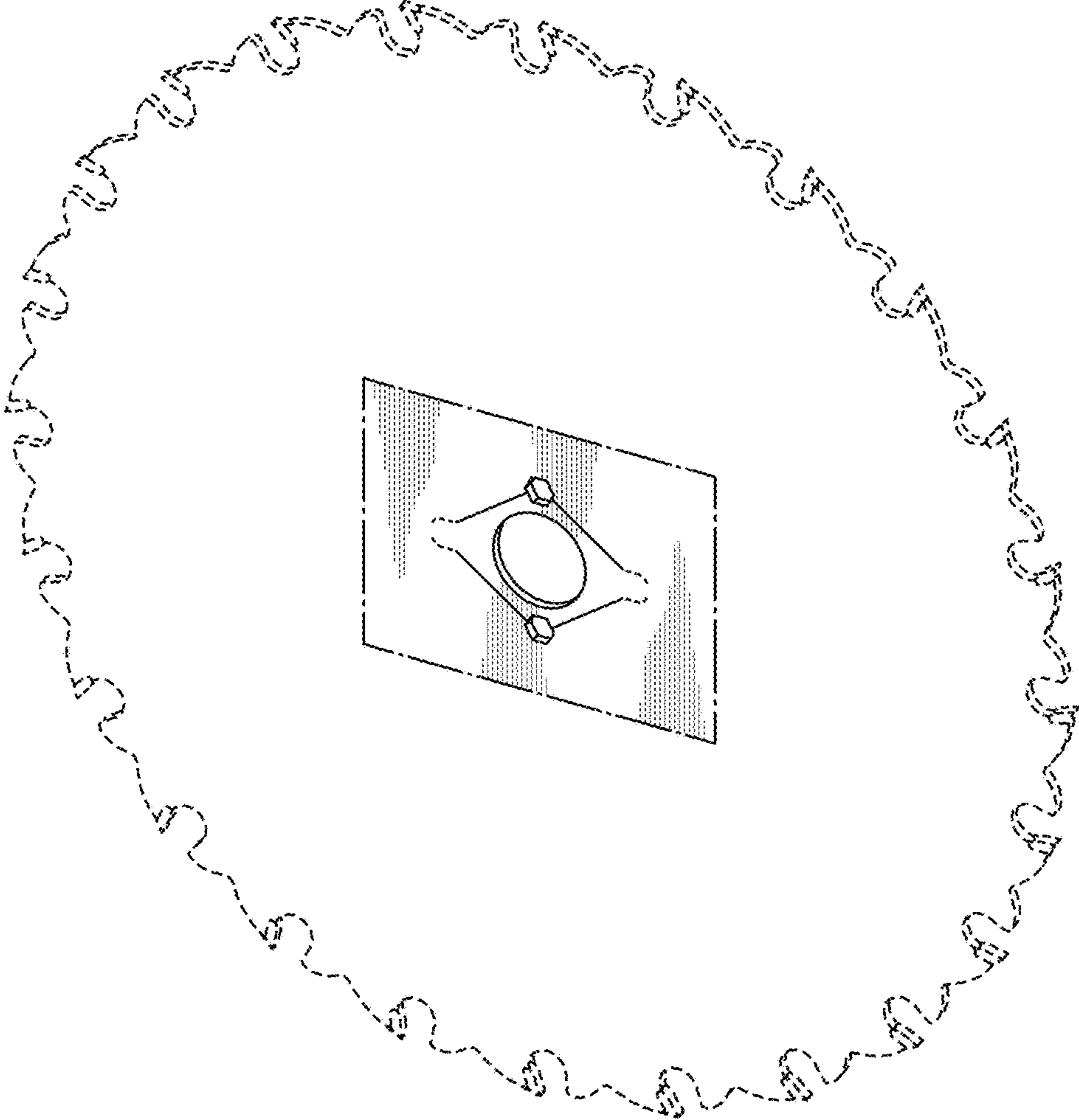


FIG. 25

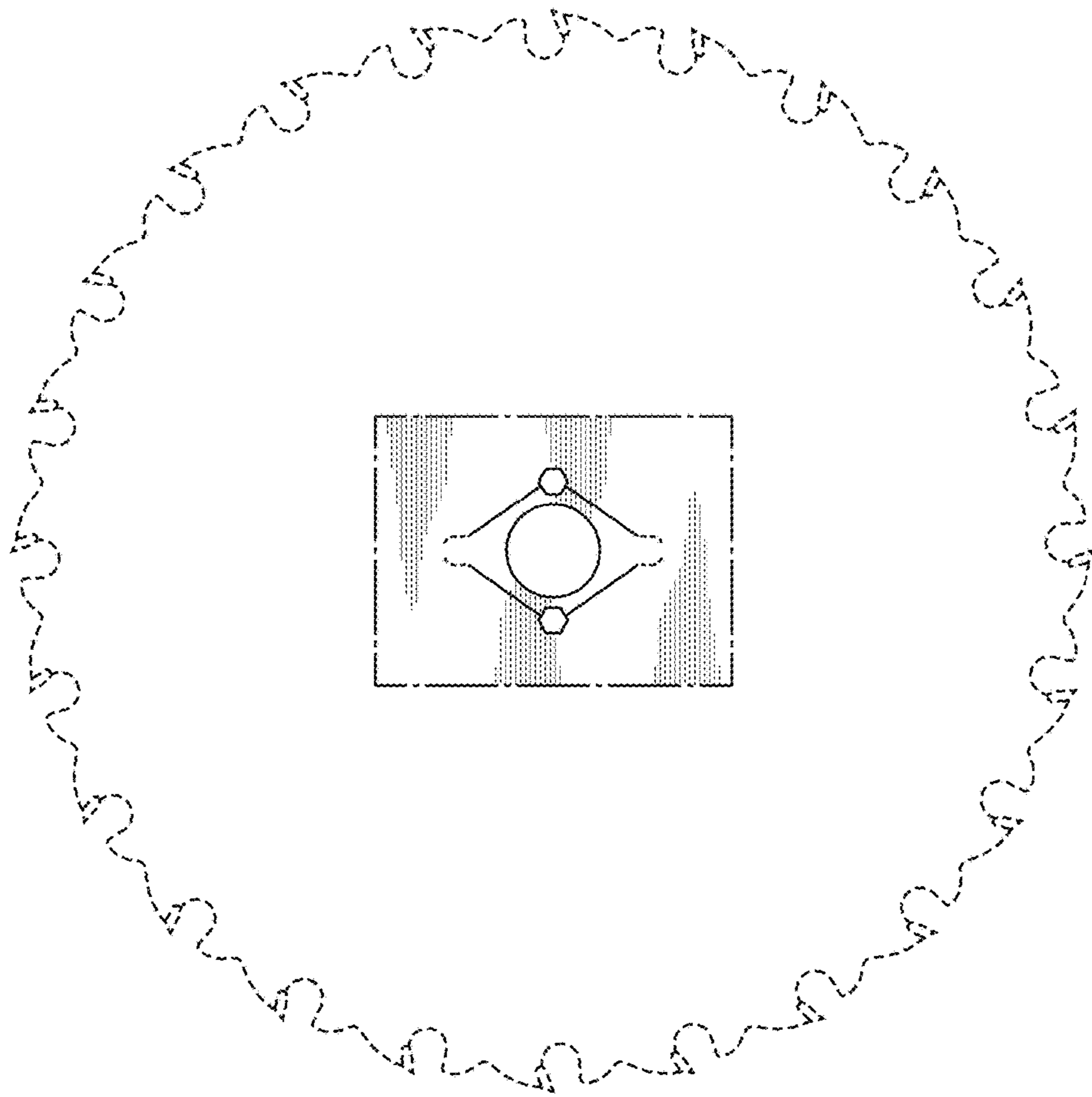


FIG. 26



FIG. 27



FIG. 28



FIG. 29

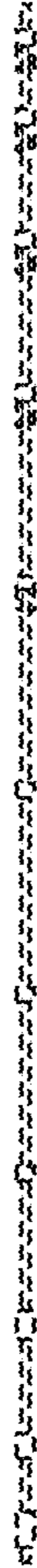


FIG. 30