



US00D852851S

(12) **United States Design Patent**
Wang

(10) **Patent No.:** **US D852,851 S**

(45) **Date of Patent:** **** Jul. 2, 2019**

(54) **COLUMN PUMP**

(71) Applicant: **GP Enterprises Co., Ltd**, Suzhou,
Jiangsu (CN)

(72) Inventor: **Xian Wang**, Jiangsu (CN)

(73) Assignee: **GP Enterprises Co., Ltd**, Suzhou (CN)

(**) Term: **15 Years**

(21) Appl. No.: **29/614,064**

(22) Filed: **Aug. 15, 2017**

(30) **Foreign Application Priority Data**

May 3, 2017 (CN) 2017 3 0156973

(51) **LOC (11) Cl.** **15-02**

(52) **U.S. Cl.**
USPC **D15/7**

(58) **Field of Classification Search**

USPC D23/303, 499, 233; D15/5, 7, 9;
417/424.1-424.2, 88, 393, 411, 234,
417/398-404; 200/84 R
CPC F04D 15/0218; F04D 29/605; F04B 41/02;
F04B 35/06

See application file for complete search history.

(56) **References Cited**

U.S. PATENT DOCUMENTS

2,766,696 A * 10/1956 Lung F04D 15/0218
D15/7
4,084,073 A * 4/1978 Keener H01H 35/186
200/84 R

D266,518 S * 10/1982 Harris D15/5
D283,225 S * 4/1986 Canvasser D15/7
4,626,755 A * 12/1986 Butcher H02P 7/063
318/473
D295,522 S * 5/1988 Martin D15/7
D351,602 S * 10/1994 Rosebraugh D15/7
D700,624 S * 3/2014 Taniguchi D15/7
D723,587 S * 3/2015 Park D15/7
9,121,398 B1 * 9/2015 Al-Nesafi F04D 15/0218
D800,176 S * 10/2017 Soto D15/7

* cited by examiner

Primary Examiner — Cynthia Ramirez

Assistant Examiner — Gino Colan

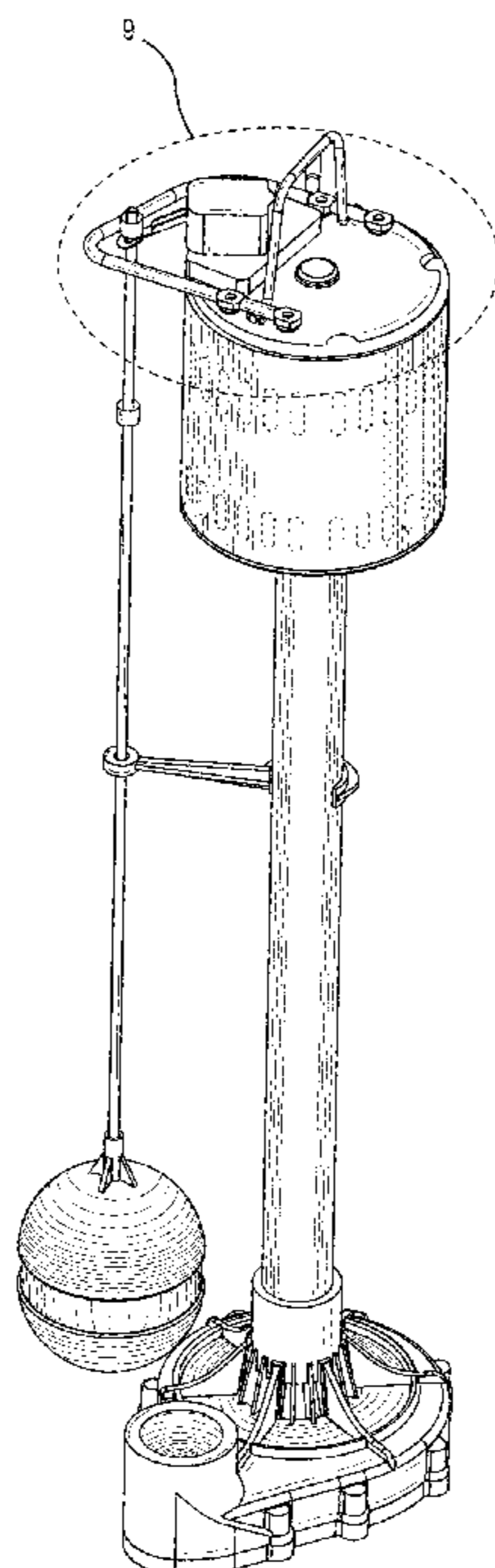
(57) **CLAIM**

The ornamental design for a column pump, as shown and described.

DESCRIPTION

FIG. 1 is a first perspective view of a column pump showing my new design;
FIG. 2 is a second perspective view thereof;
FIG. 3 is a front elevational view thereof;
FIG. 4 is a rear elevational view thereof;
FIG. 5 is a left side view thereof;
FIG. 6 is a right side view thereof;
FIG. 7 is an enlarged top plan view thereof;
FIG. 8 is an enlarged bottom plan view thereof;
FIG. 9 is an enlarged view of portion 9 in FIG. 1;
FIG. 10 is an enlarged view of portion 10 in FIG. 2; and,
FIG. 11 is an enlarged view of portion 11 in FIG. 2.
The broken lines in the drawings illustrate portions of the column pump which form no part of the claimed design.

1 Claim, 11 Drawing Sheets



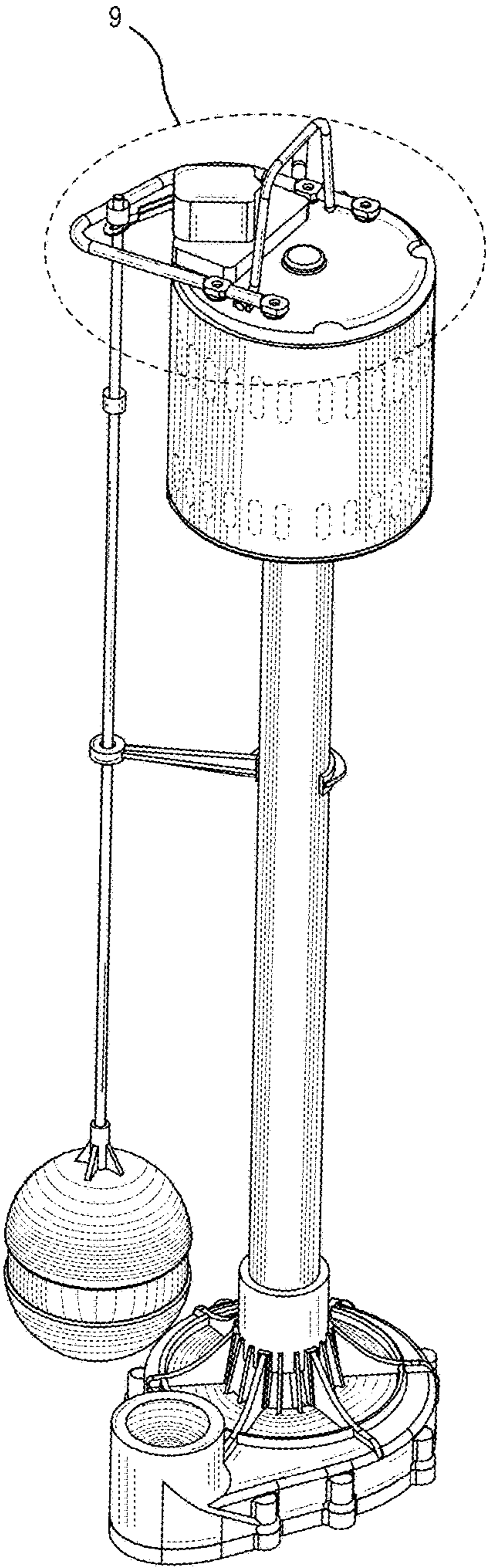


Fig. 1

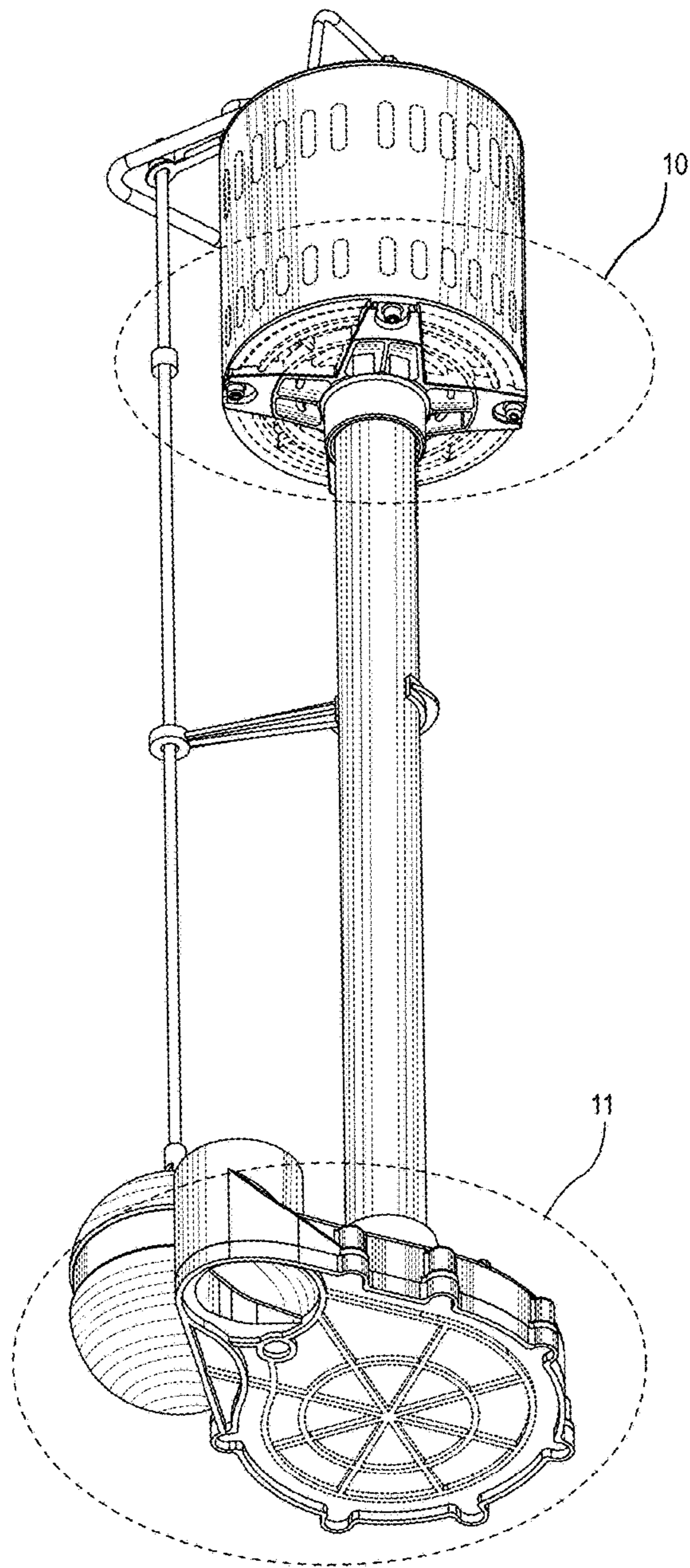


Fig. 2

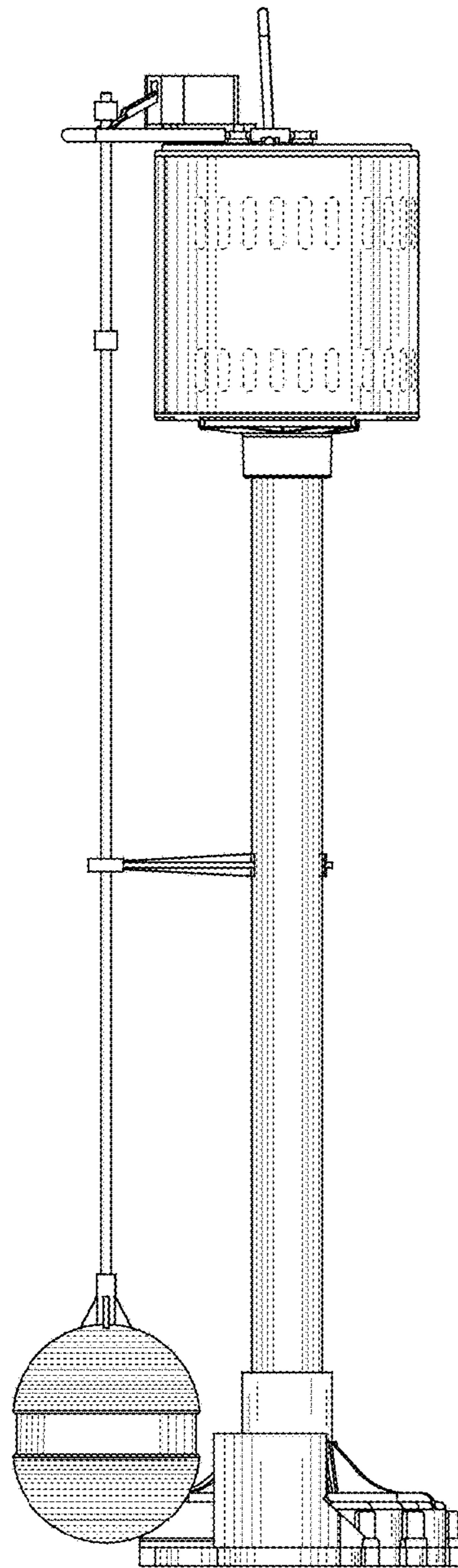


Fig. 3

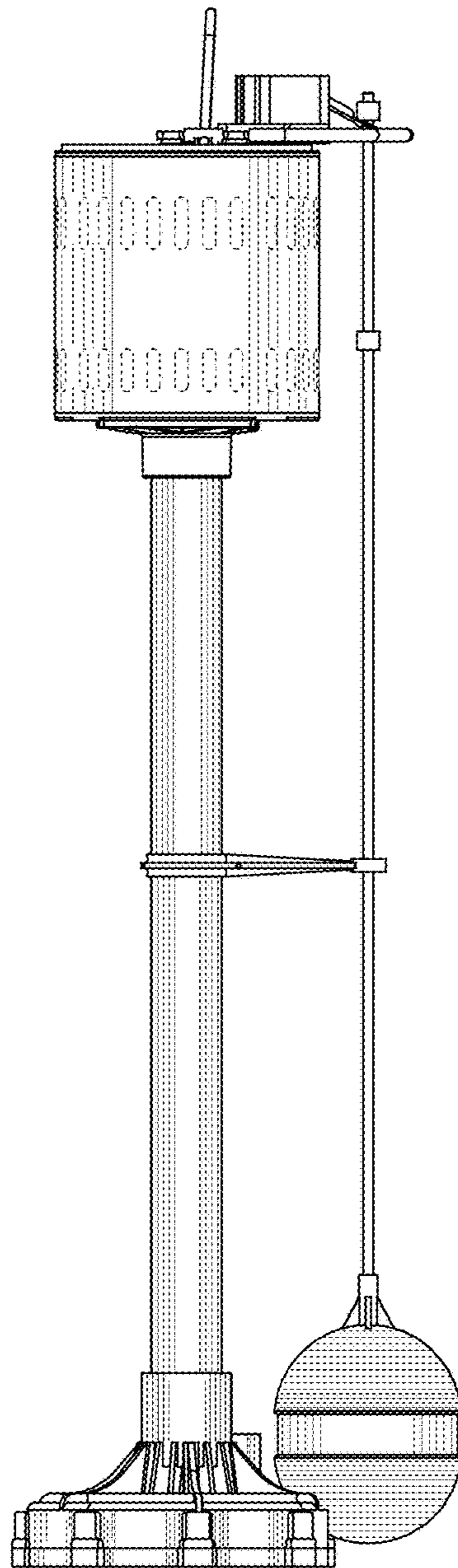


Fig. 4

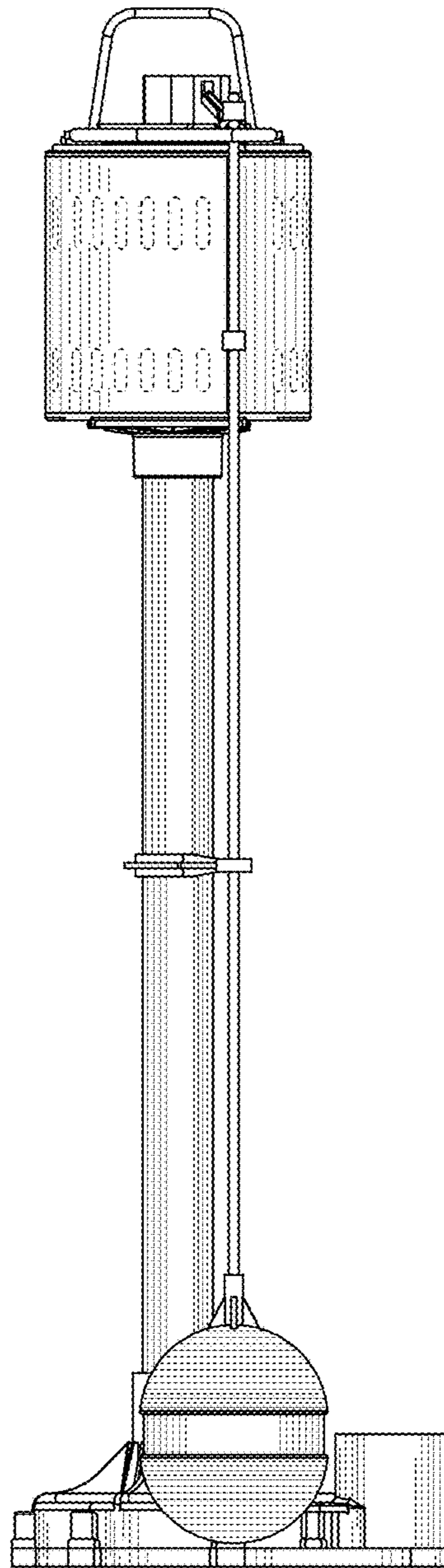


Fig. 5

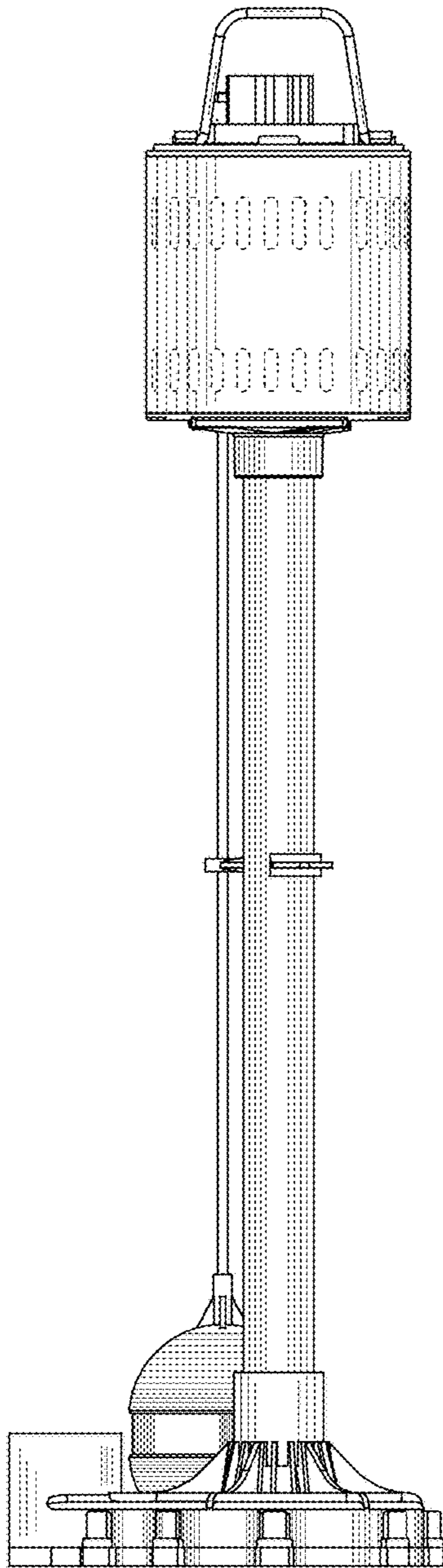


Fig. 6

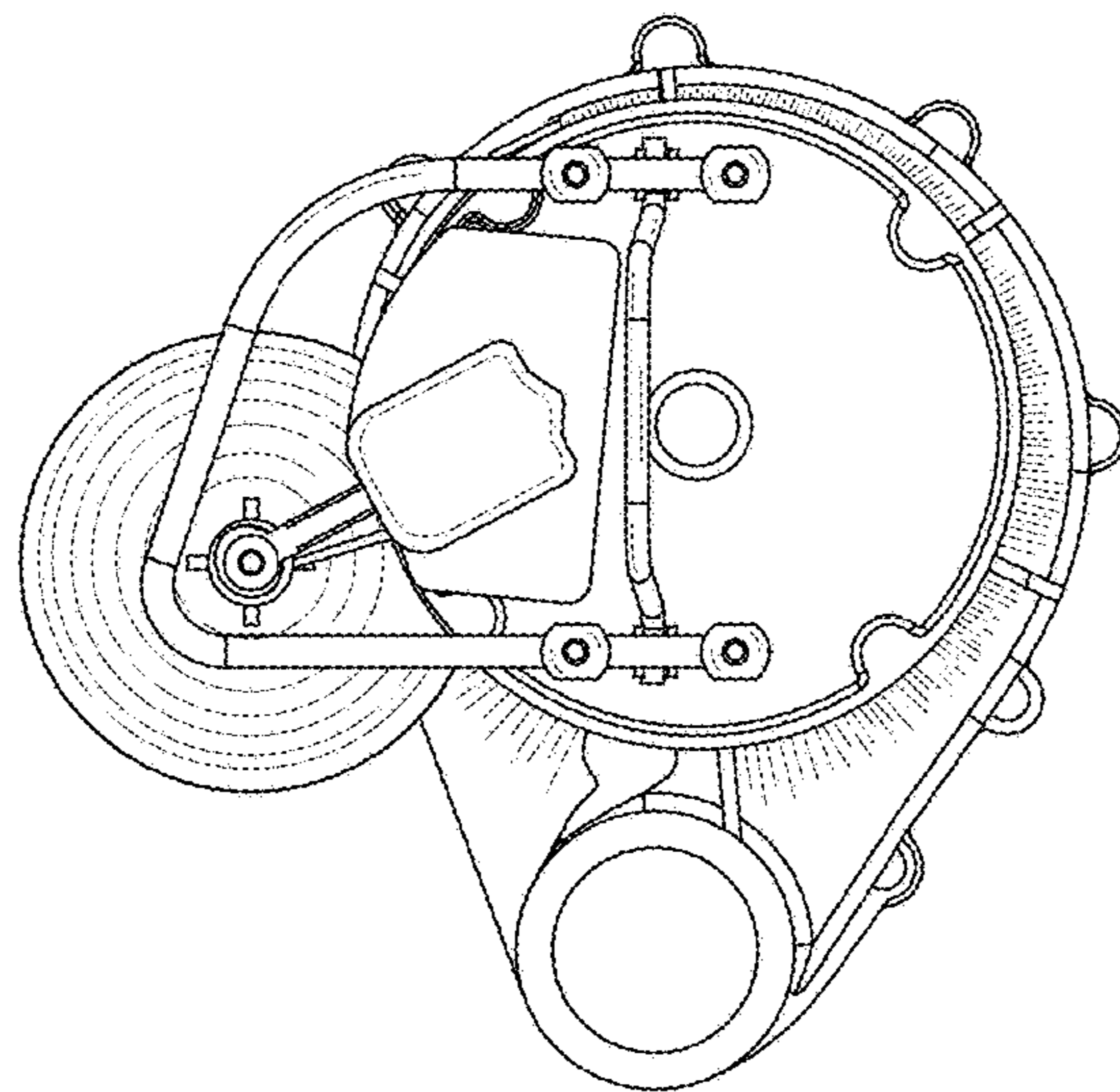


Fig. 7

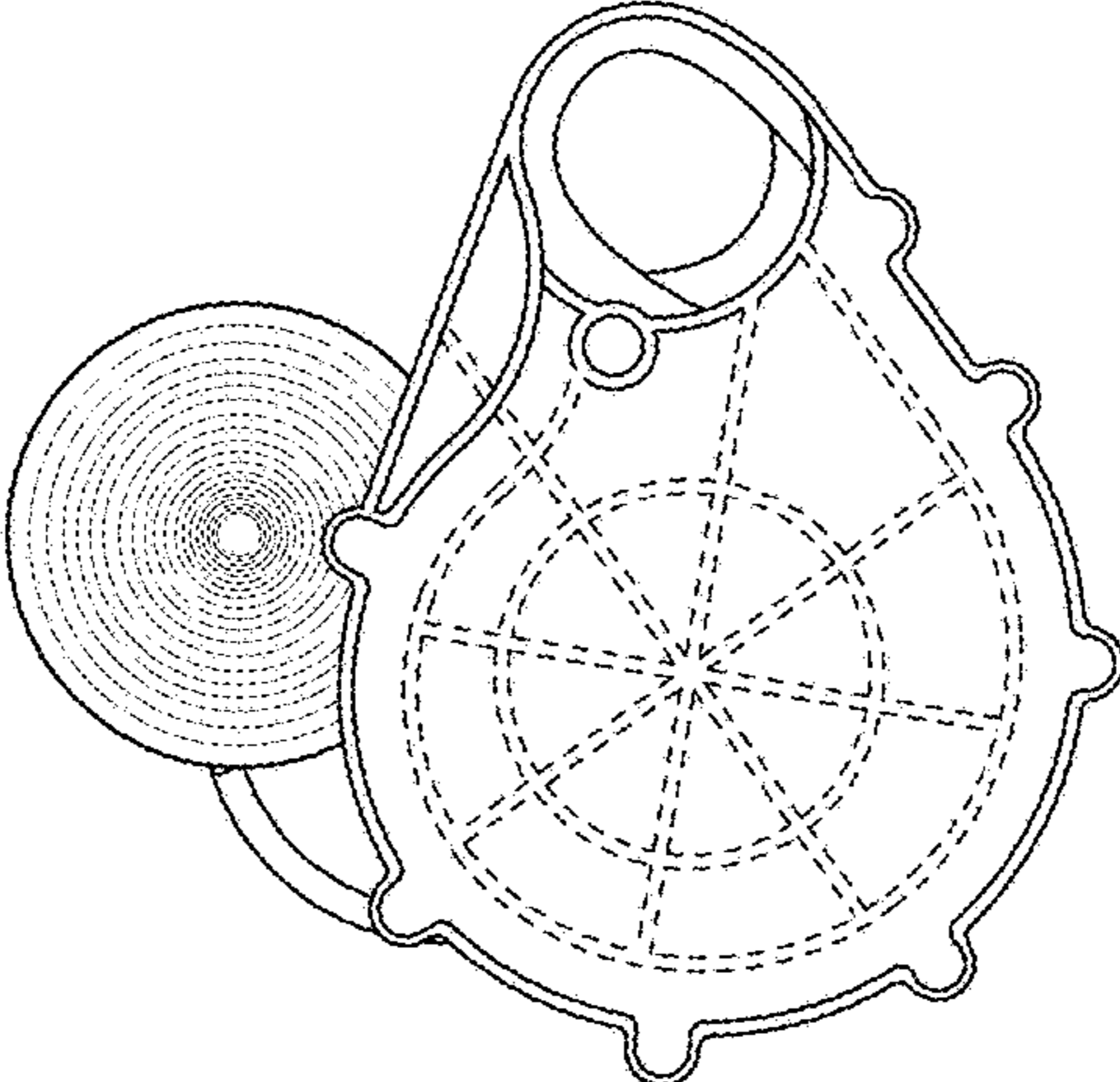


Fig. 8

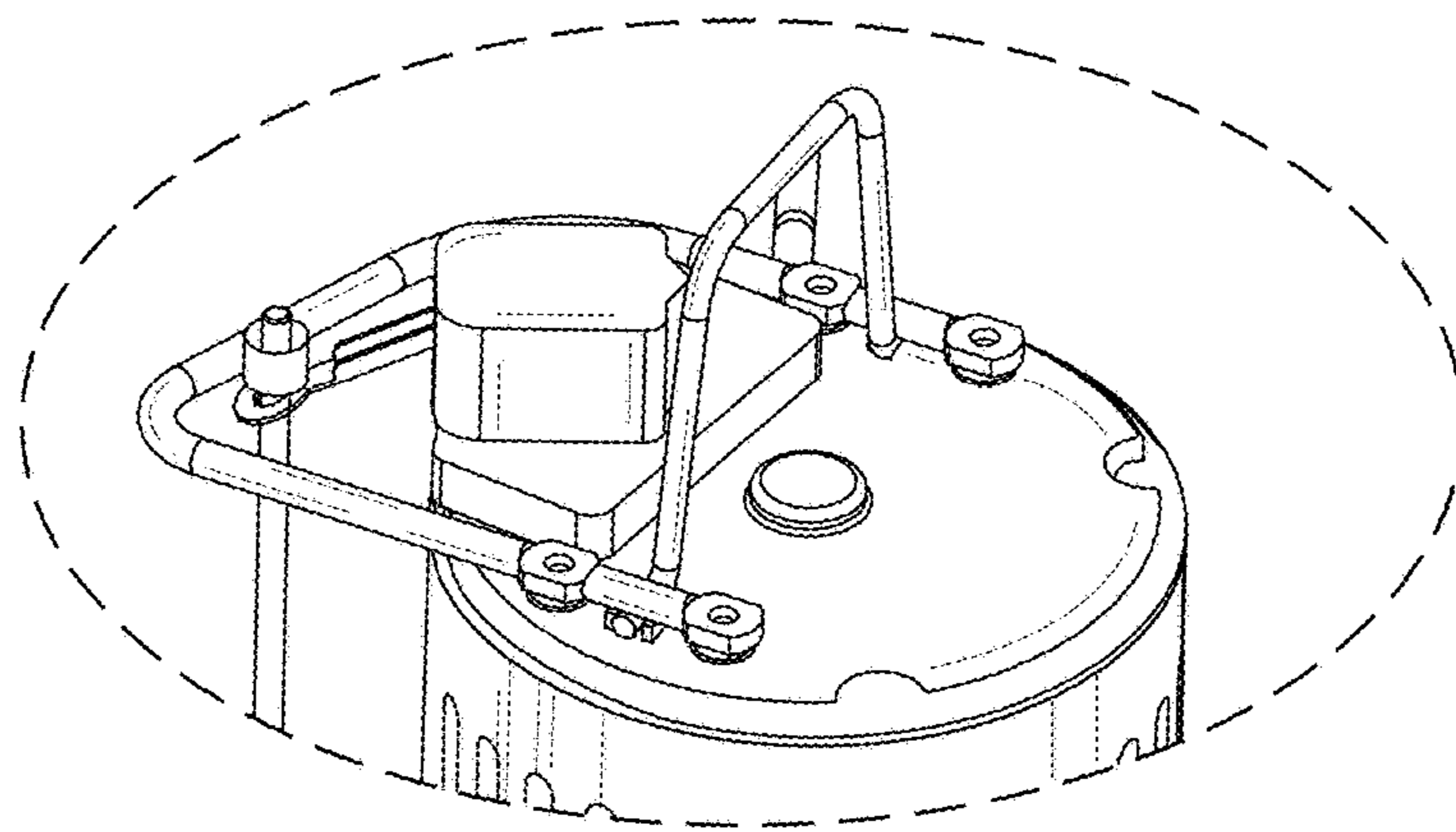


Fig. 9

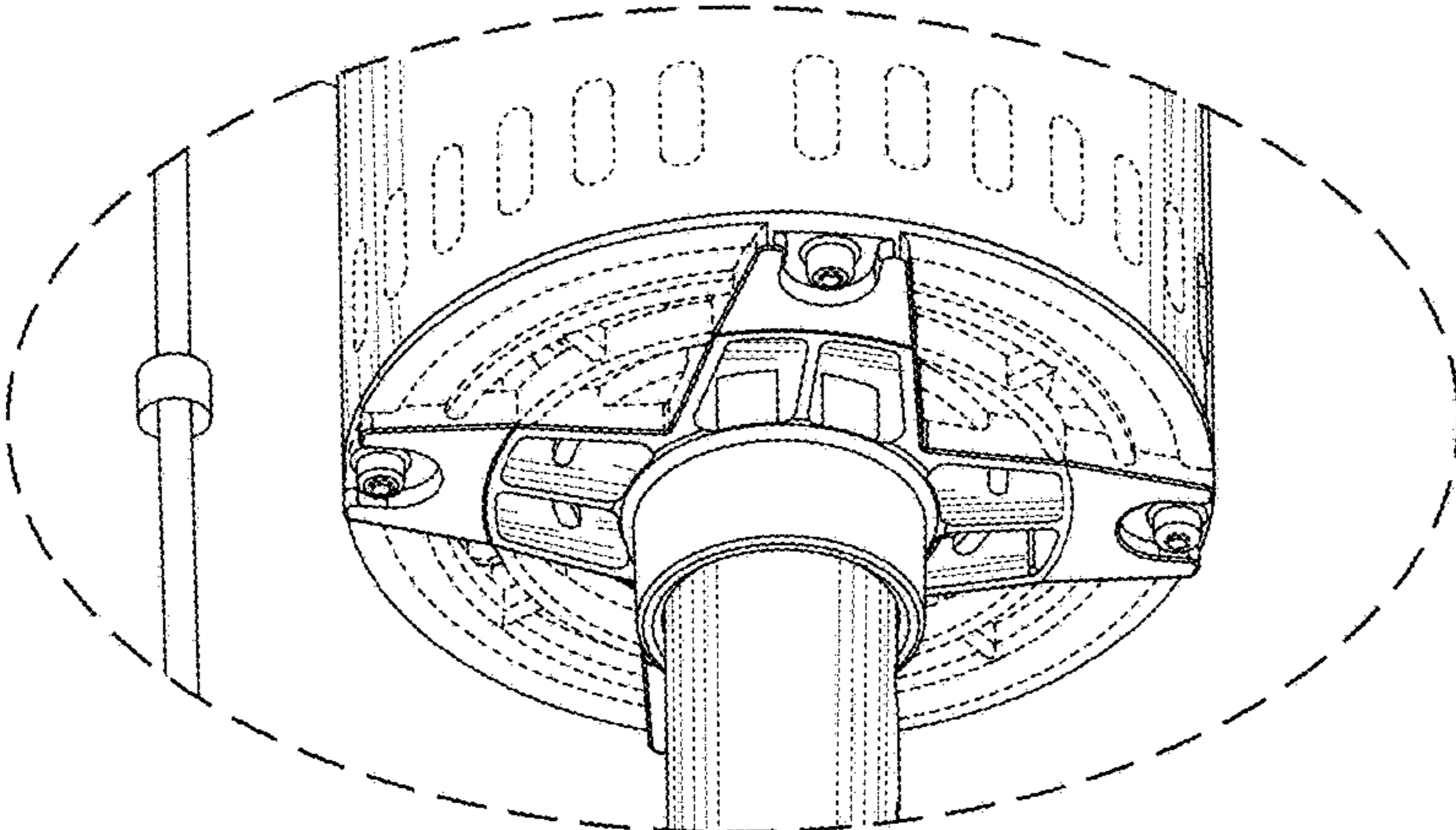


Fig. 10

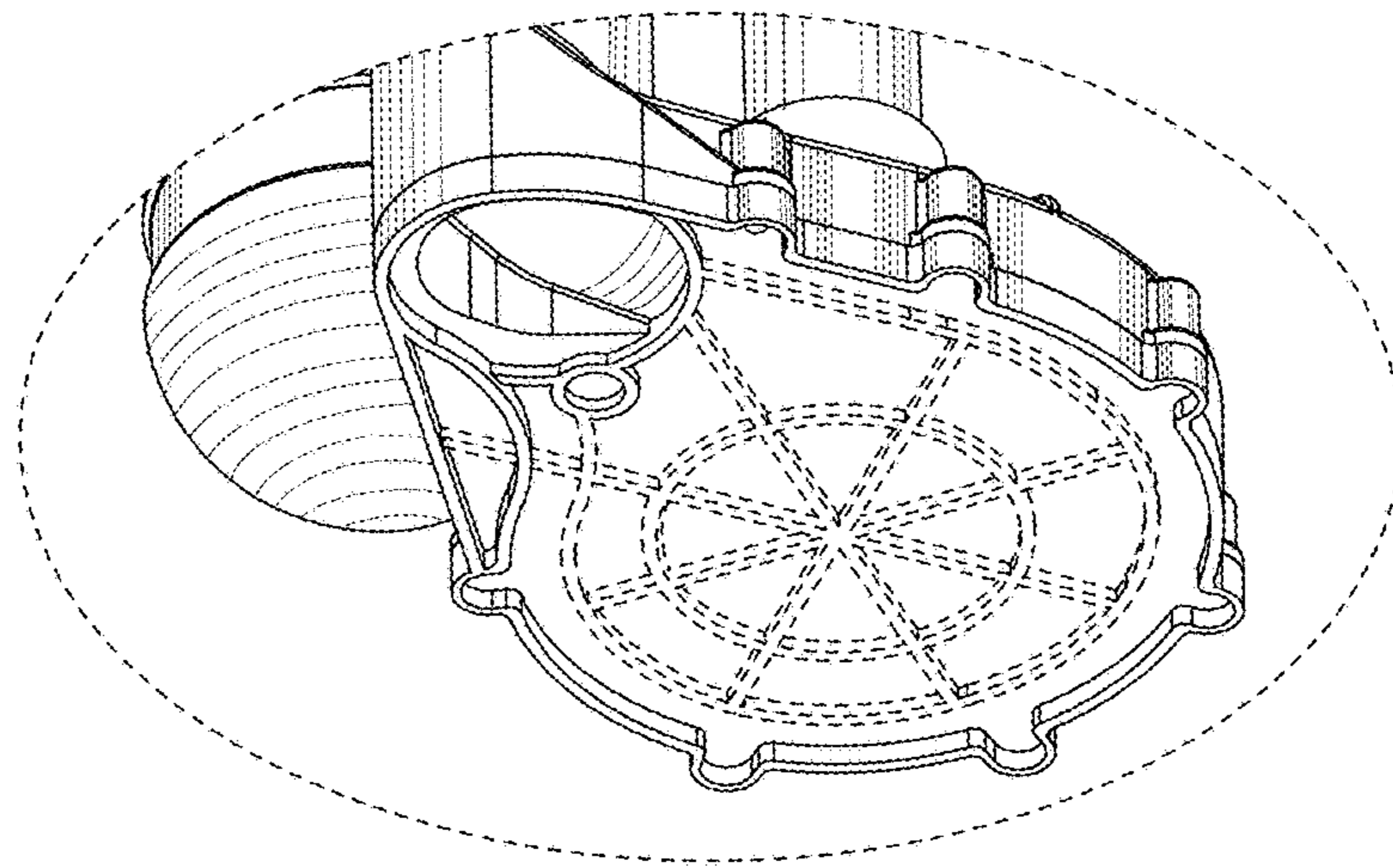


Fig. 11