



US00D852849S

(12) **United States Design Patent**
Zin et al.

(10) **Patent No.:** **US D852,849 S**
(45) **Date of Patent:** **** Jul. 2, 2019**

- (54) **COWLING FOR AN OUTBOARD MOTOR**
- (71) Applicant: **Brunswick Corporation**, Mettawa, IL (US)
- (72) Inventors: **Piotr Zin**, Seattle, WA (US); **Todd D. Dannenberg**, Fond du Lac, WI (US); **John I. S. Park**, Fond du Lac, WI (US)
- (73) Assignee: **Brunswick Corporation**, Mettawa, IL (US)
- (**) Term: **15 Years**
- (21) Appl. No.: **29/636,384**
- (22) Filed: **Feb. 8, 2018**

Related U.S. Application Data

- (63) Continuation of application No. 29/617,451, filed on Sep. 14, 2017, now Pat. No. Des. 834,618, and a continuation of application No. 29/617,460, filed on Sep. 14, 2017, and a continuation of application No. 29/617,457, filed on Sep. 14, 2017.
- (51) **LOC (11) Cl.** **15-01**
- (52) **U.S. Cl.**
USPC **D15/4**
- (58) **Field of Classification Search**
USPC D15/4, 5
CPC .. B63H 20/32; B63H 2020/323; B63H 23/30;
B63H 23/08; B63H 23/22; B63H 5/14;
B63H 5/15; B63H 21/165; B63H 21/17;
B63H 21/38; B63H 5/125; B63B 35/68
See application file for complete search history.

(56) **References Cited**

U.S. PATENT DOCUMENTS

- D412,911 S * 8/1999 Iekura D15/4
- D421,444 S 3/2000 Hatch et al.
- D458,273 S 6/2002 Burmeister

- D460,972 S 7/2002 Osumi
- D463,447 S 9/2002 Osumi et al.
- D463,448 S 9/2002 Osumi
- D463,449 S 9/2002 Osumi
- D463,800 S 10/2002 Osumi
- D474,480 S 5/2003 Zebley et al.
- D474,784 S 5/2003 Sanschagrín
- D478,597 S 8/2003 Zebley
- D485,848 S 1/2004 Sanschagrín
- D489,380 S 5/2004 Ohsumi et al.
- D495,716 S 9/2004 Sanschagrín

(Continued)

Primary Examiner — T Chase Nelson

Assistant Examiner — Ania Aman

(74) *Attorney, Agent, or Firm* — Andrus Intellectual Property Law, LLP

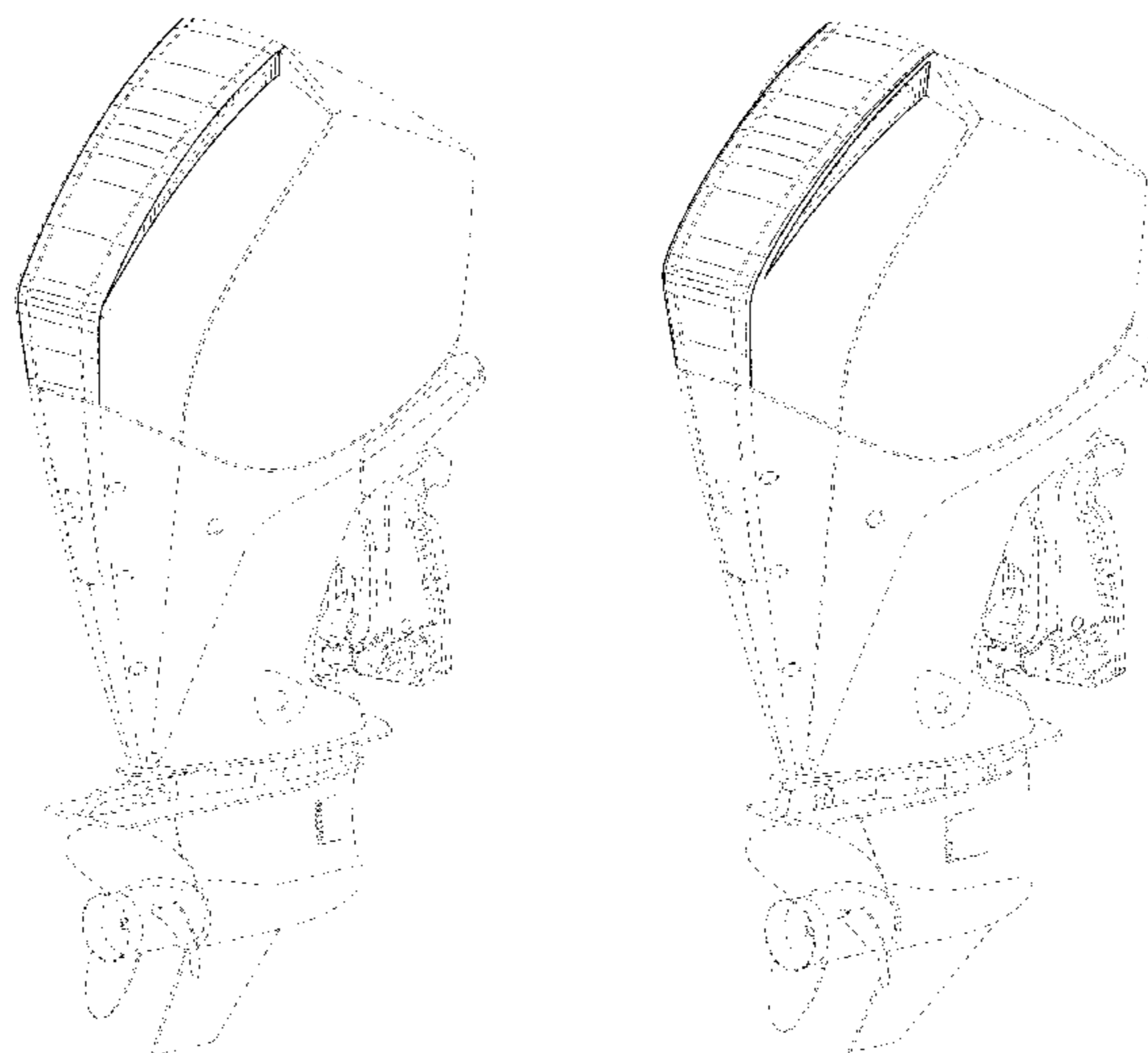
(57) **CLAIM**

The ornamental design for a cowling for an outboard motor, as shown and described.

DESCRIPTION

FIG. 1 is a perspective view of a first embodiment of a cowling for an outboard motor showing our new design. FIG. 2 is a side view thereof. FIG. 3 is an opposite side view thereof. FIG. 4 is a front view thereof. FIG. 5 is a rear view thereof. FIG. 6 is a top view thereof. FIG. 7 is a bottom view thereof. FIG. 8 is a perspective view of a second embodiment of a cowling for an outboard motor showing our new design. FIG. 9 is a side view thereof. FIG. 10 is an opposite side view thereof. FIG. 11 is a front view thereof. FIG. 12 is a rear view thereof. FIG. 13 is a top view thereof; and, FIG. 14 is a bottom view thereof. The broken lines in the drawings illustrate portions of the cowling that are not part of the claimed design.

1 Claim, 14 Drawing Sheets



(56)

References Cited

U.S. PATENT DOCUMENTS

D498,764 S *	11/2004	Sanschagrín	D15/4	9,073,616 B1 *	7/2015	Wiegele	B63H 20/32
6,875,066 B2	4/2005	Wolaver			D740,858 S	10/2015	Dannenberg et al.		
7,001,231 B1 *	2/2006	Halley	B63H 20/245	9,216,805 B1	12/2015	Amerling		
				440/88 G	D757,126 S	5/2016	Vaninetti et al.		
D528,563 S *	9/2006	Sanschagrín	D15/4	9,376,194 B1 *	6/2016	Jensen	B63H 20/245
D549,240 S	8/2007	Okamoto			9,481,438 B1	11/2016	Tuschscherer		
D589,981 S *	4/2009	Iekura	D15/4	9,840,316 B1 *	12/2017	Jaszewski	B63H 20/20
D611,062 S	3/2010	Okamoto			D809,017 S *	1/2018	Noda	D15/4
D611,063 S *	3/2010	Okamoto	D15/4	9,926,064 B1 *	3/2018	Tuschscherer	B63H 21/36
7,736,207 B2	6/2010	Vignau			D832,472 S	10/2018	Davis		
D623,661 S *	9/2010	Yamagishi	D15/4	D834,618 S *	11/2018	Zin	D15/4
D635,586 S	4/2011	Okamoto			D835,675 S	12/2018	Nakaura		
D643,440 S	8/2011	Dannenberg et al.			D842,504 S	3/2019	Davis		
D663,321 S	7/2012	Okamoto			2003/0194927 A1 *	10/2003	Sanschagrín	B63H 20/32
D712,931 S	9/2014	Matsumoto							440/77
D714,345 S *	9/2014	Petit	D15/4	2003/0232548 A1 *	12/2003	Alby	F02B 61/045
D727,969 S *	4/2015	Okamoto	D15/4					440/77
					2006/0172631 A1	8/2006	Kameoka		
					2010/0147257 A1	6/2010	Yazaki		
					2014/0057508 A1	2/2014	Litjens		

* cited by examiner

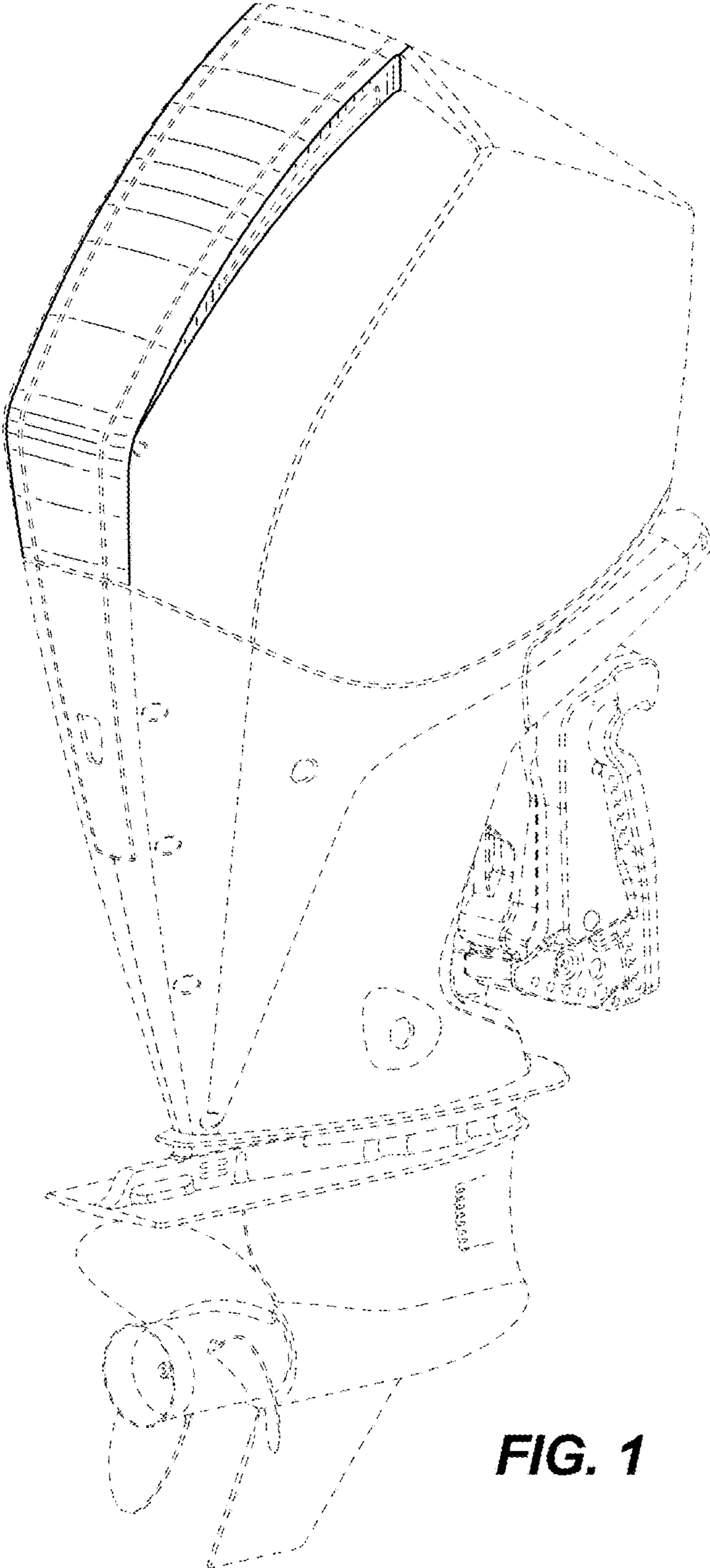


FIG. 1

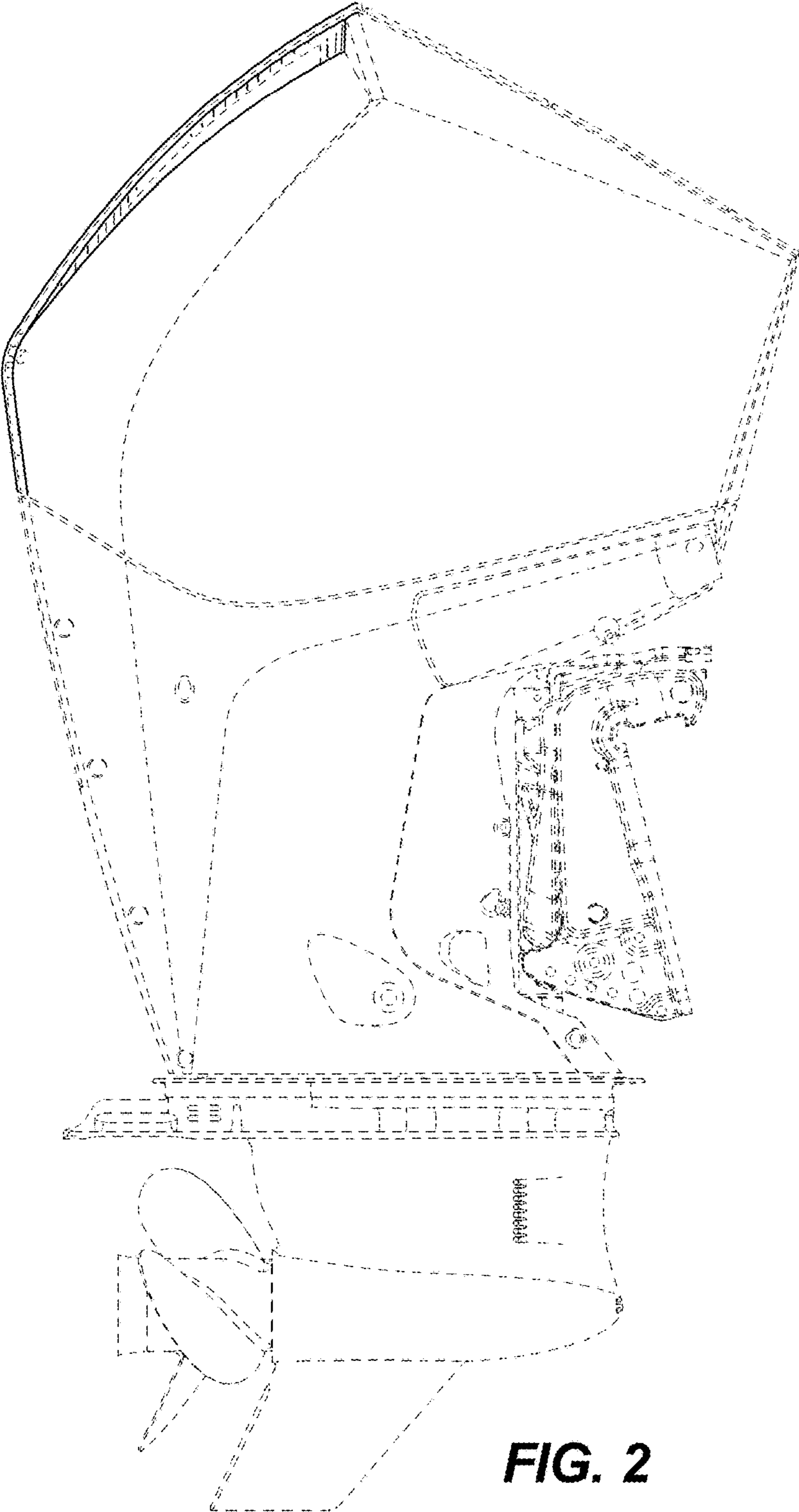
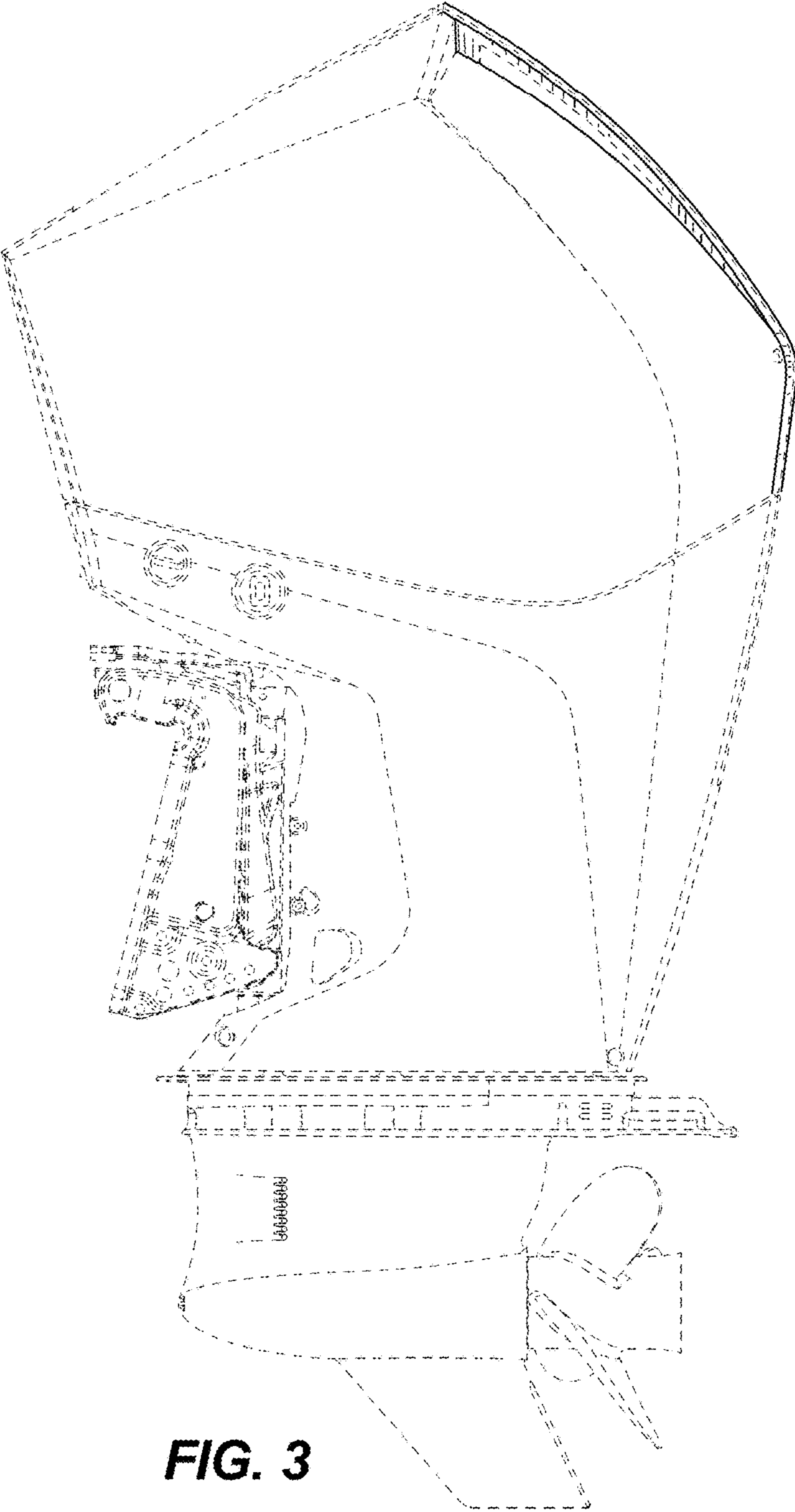


FIG. 2



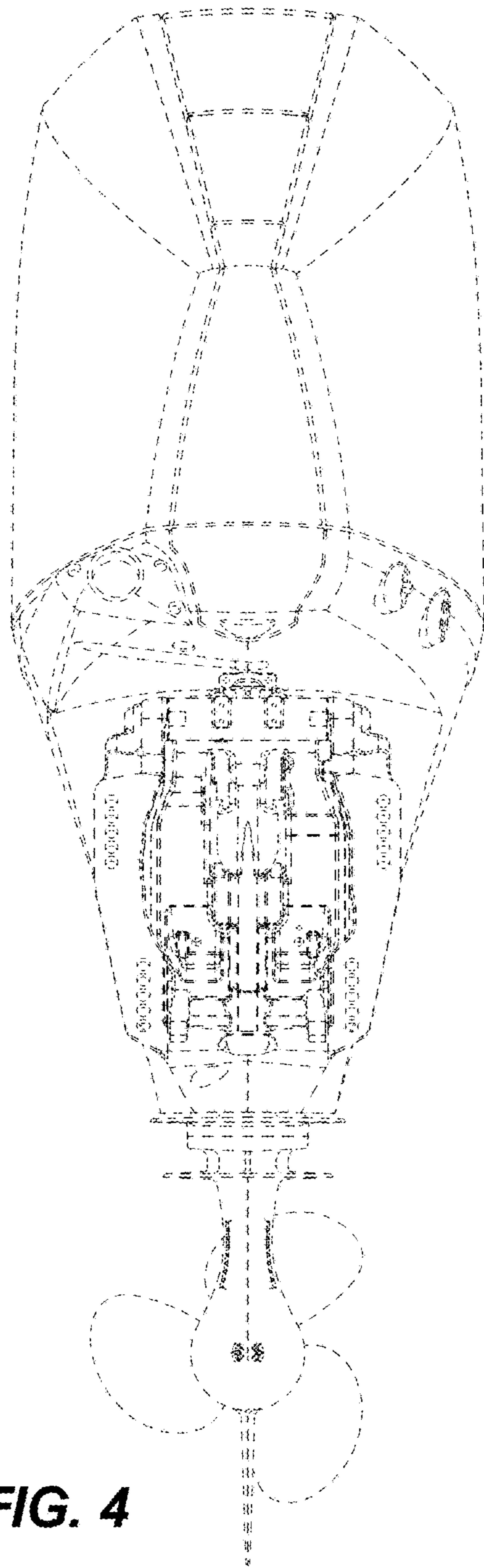


FIG. 4

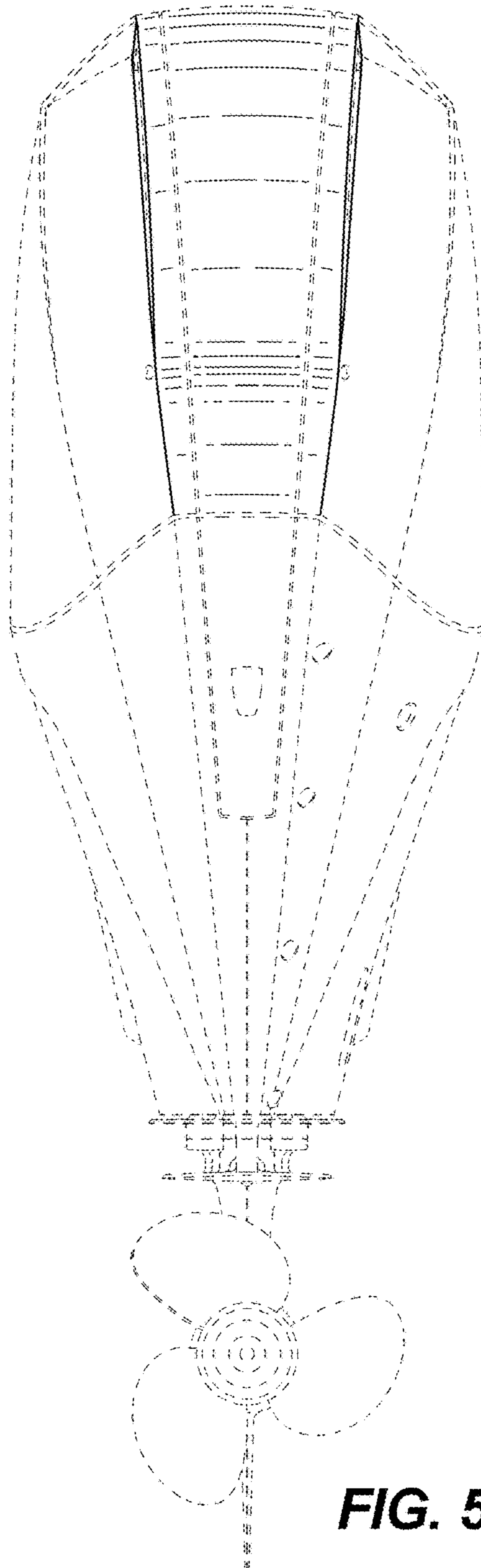


FIG. 5

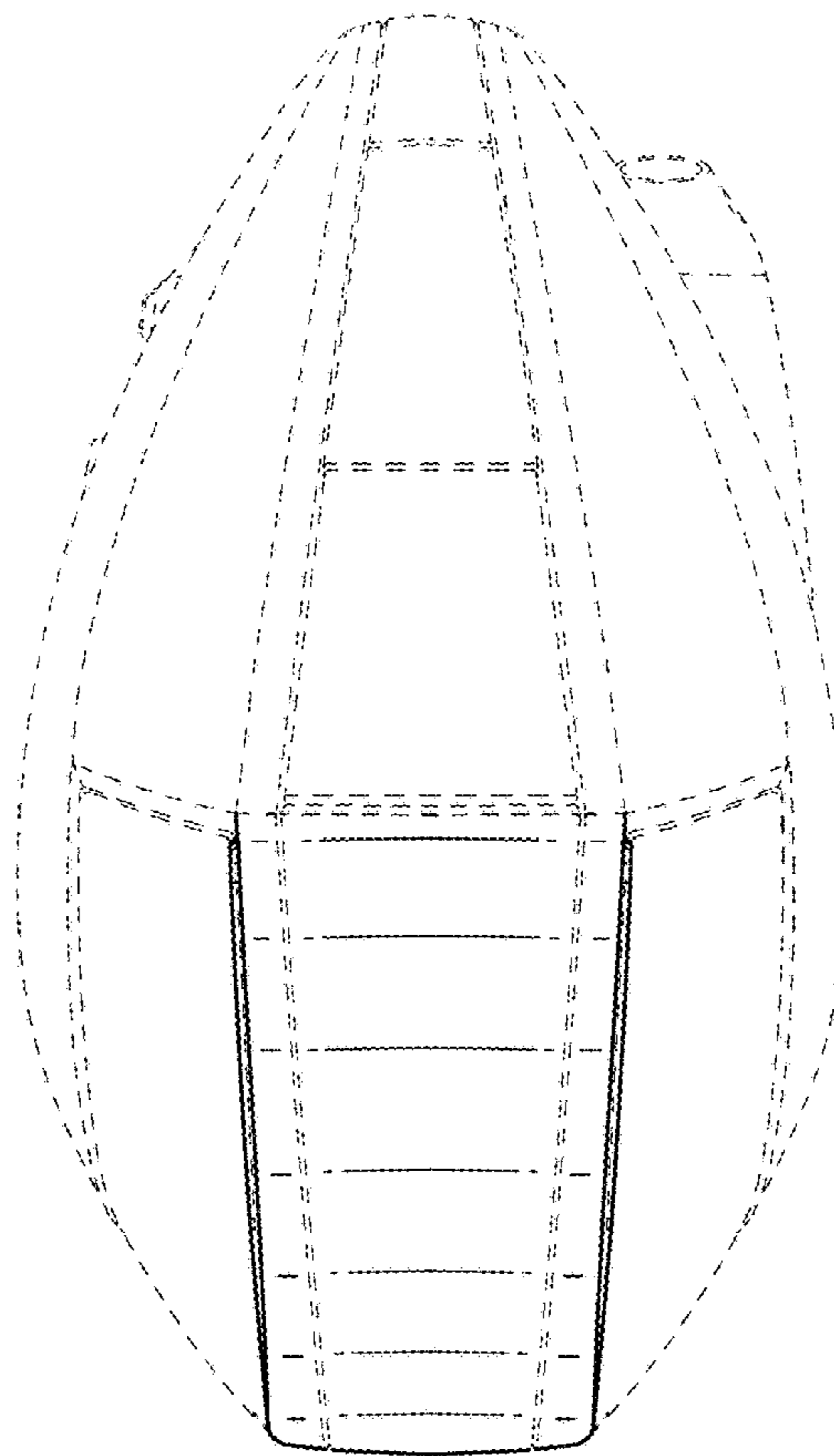


FIG. 6

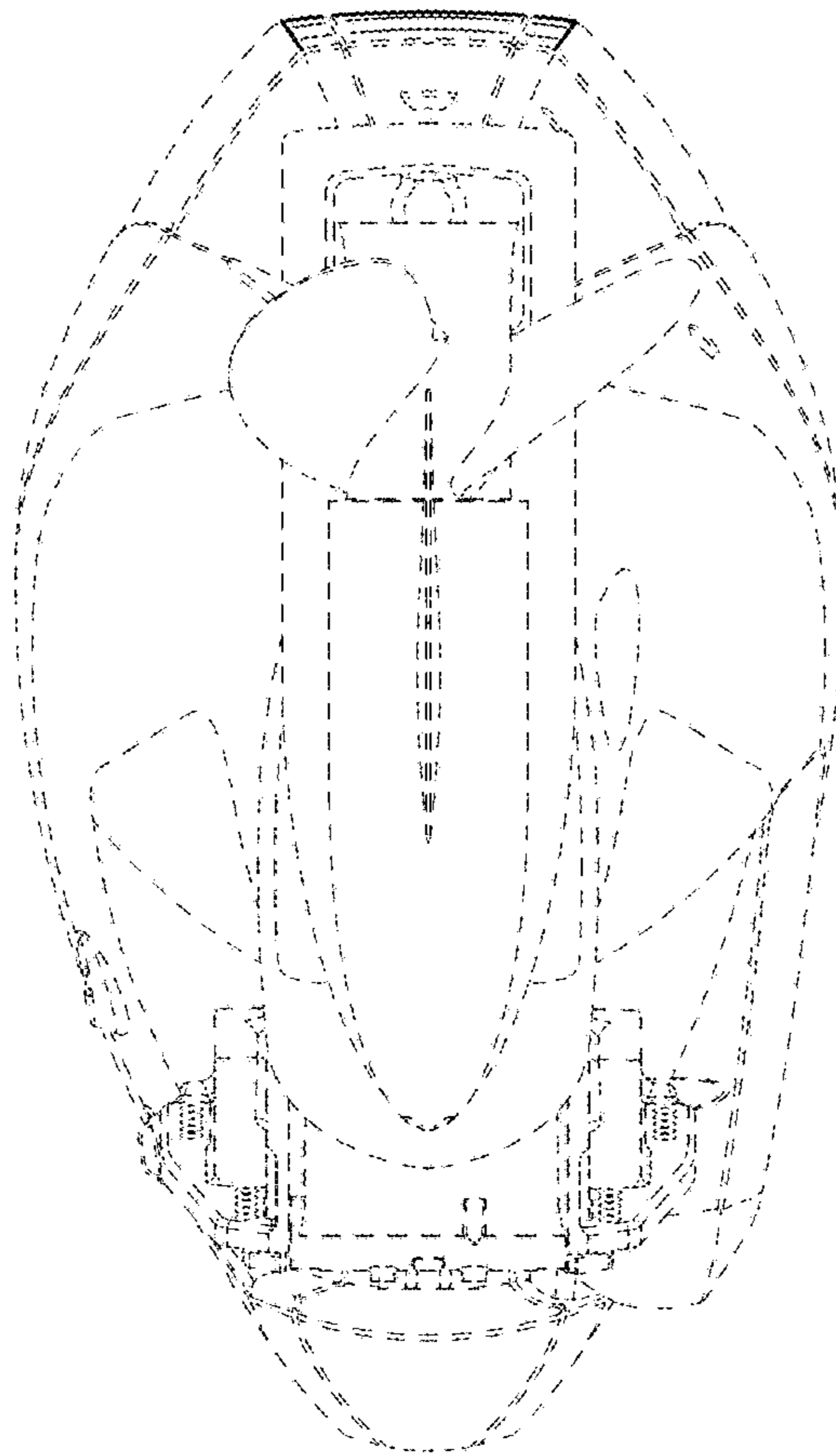


FIG. 7

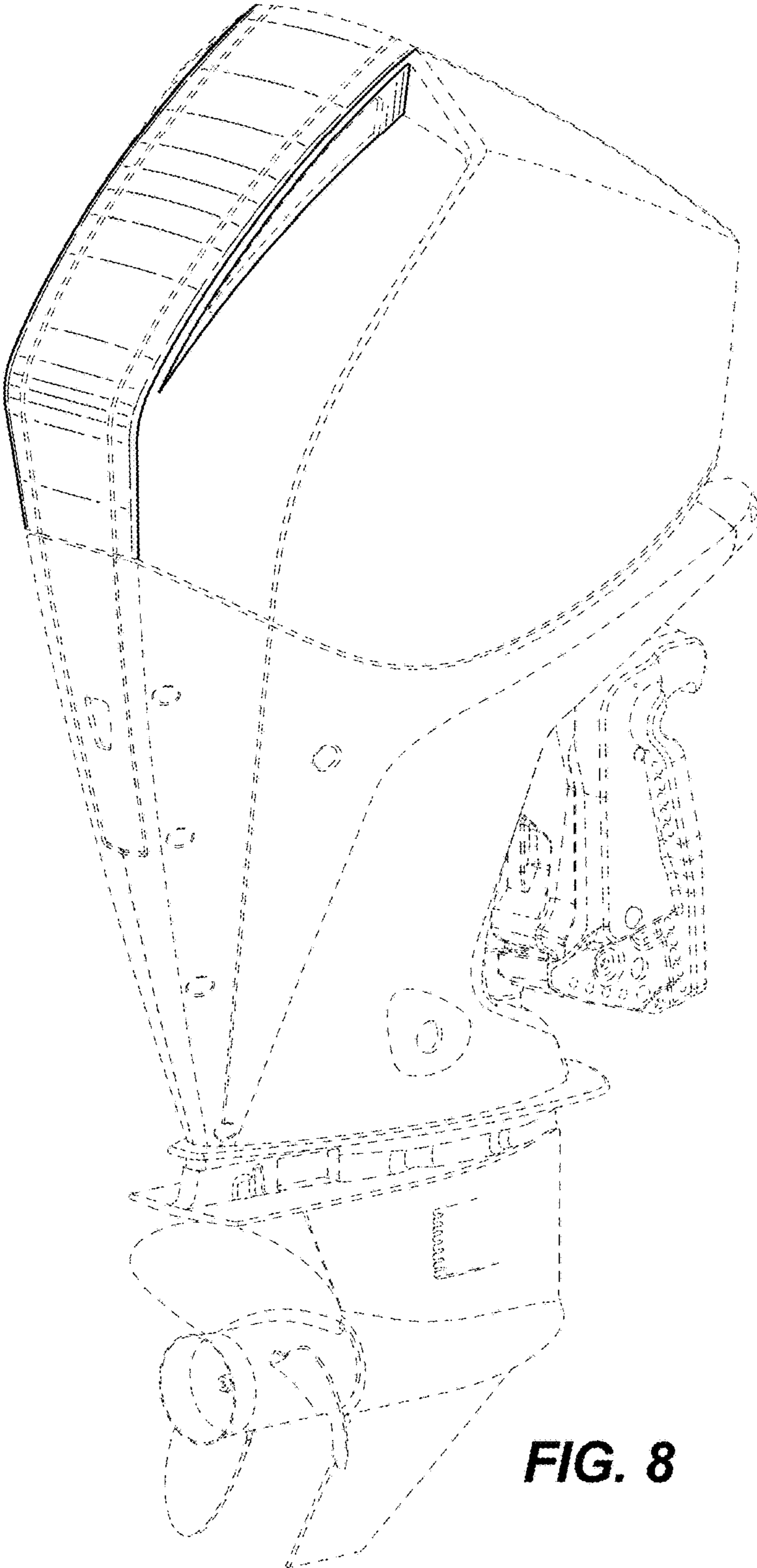
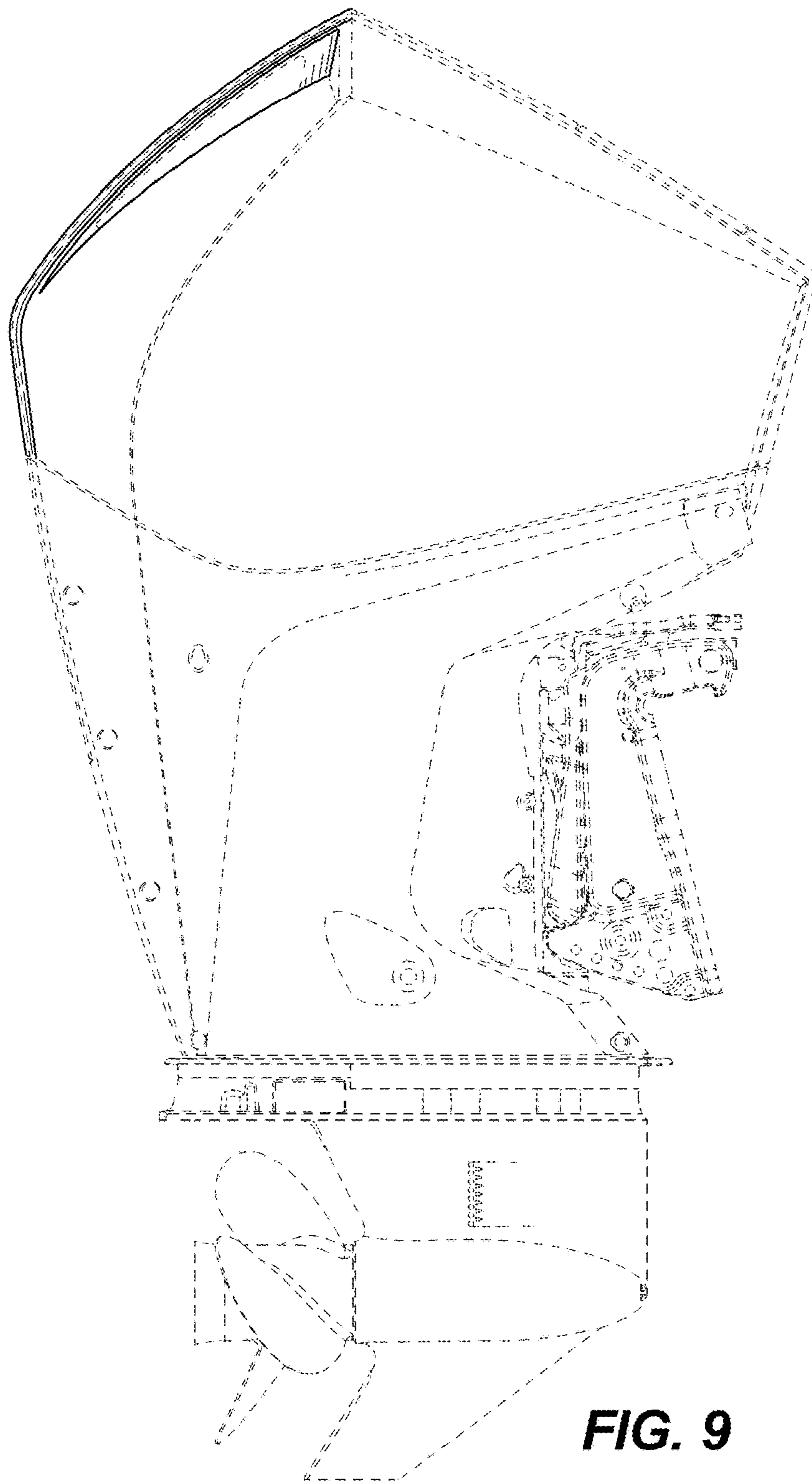


FIG. 8



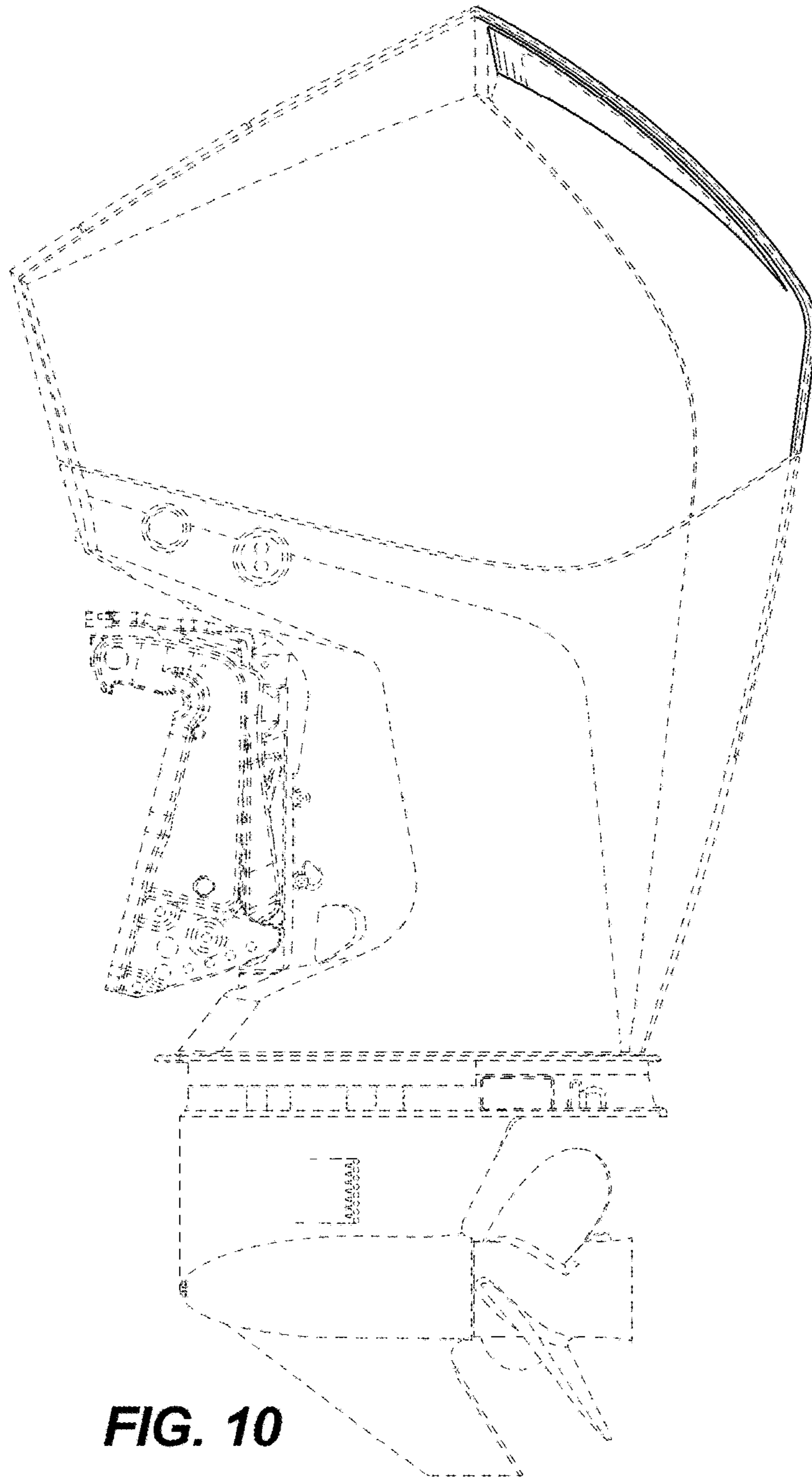


FIG. 10

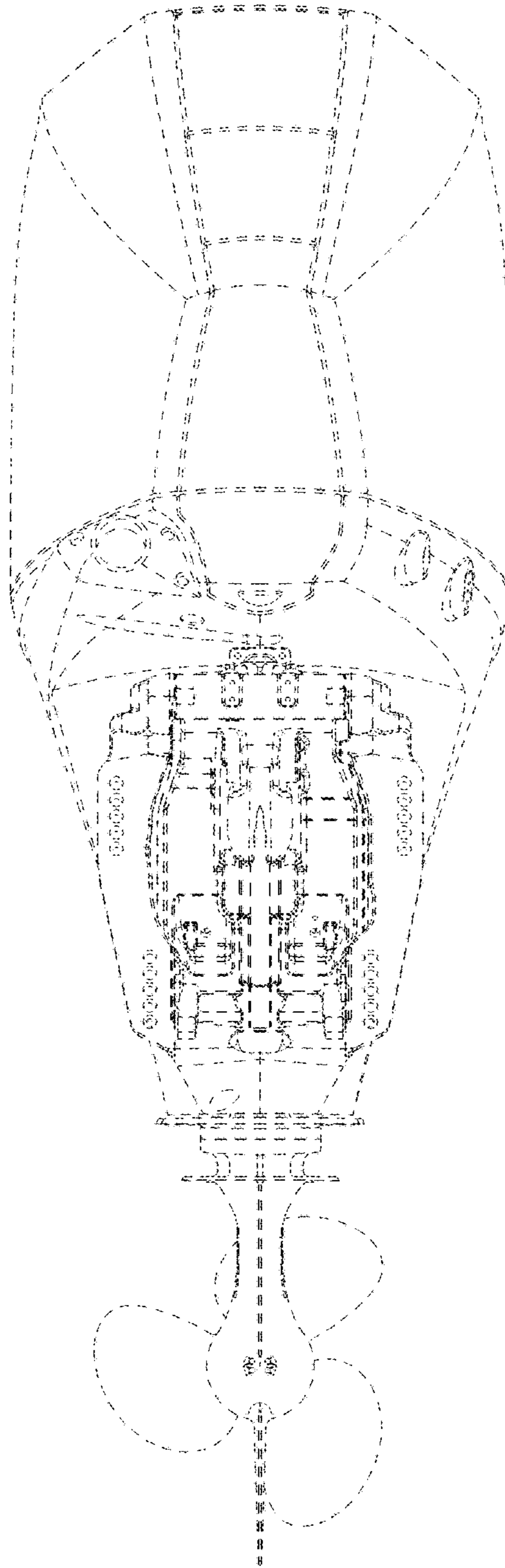


FIG. 11

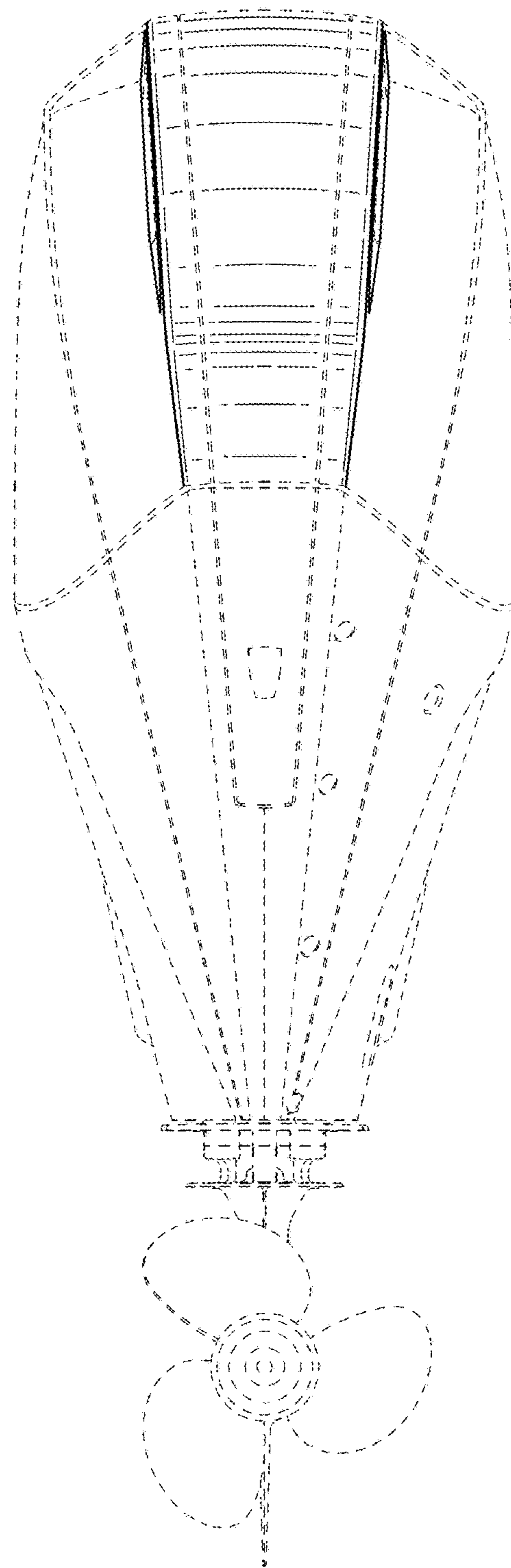


FIG. 12

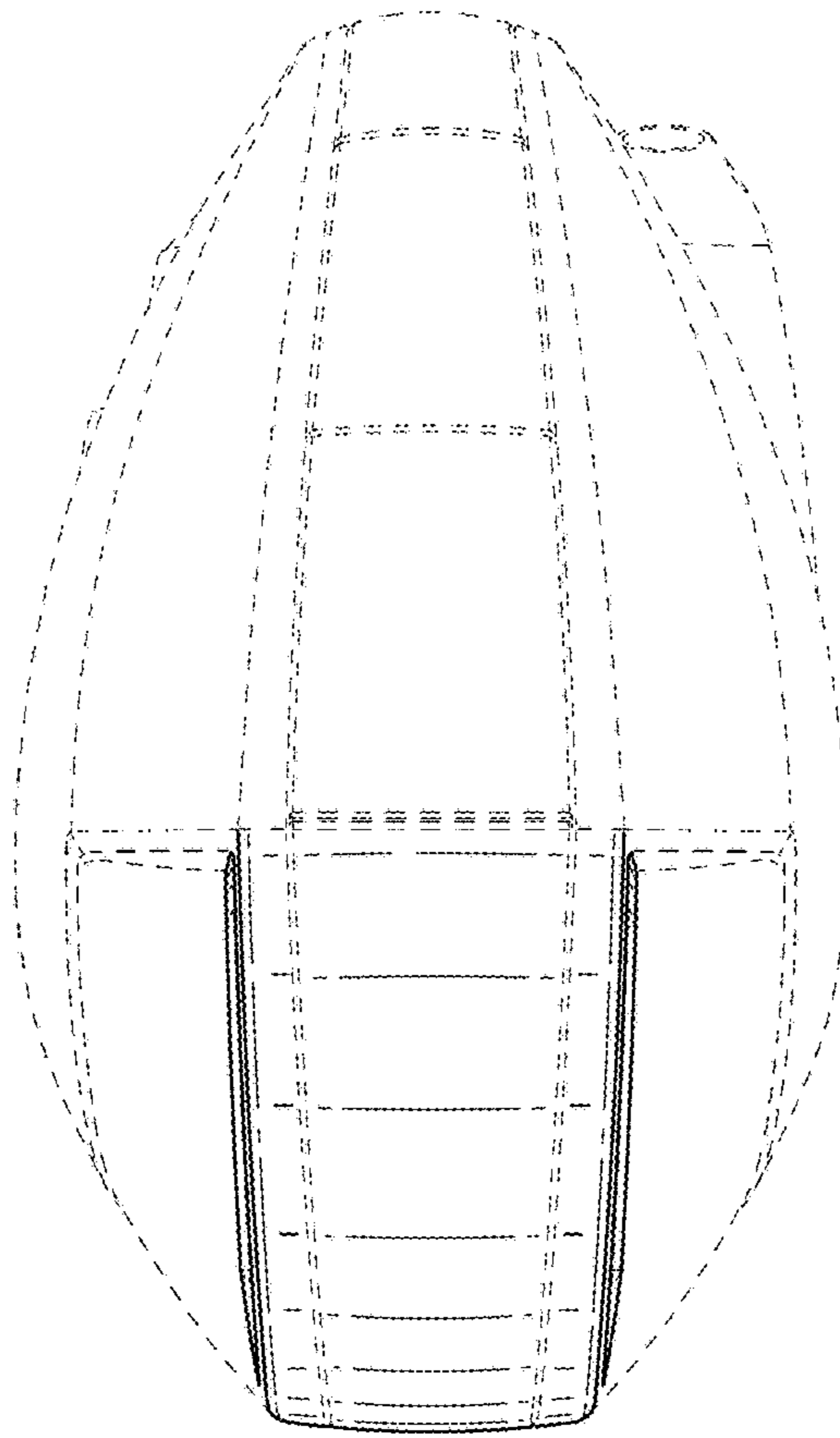


FIG. 13

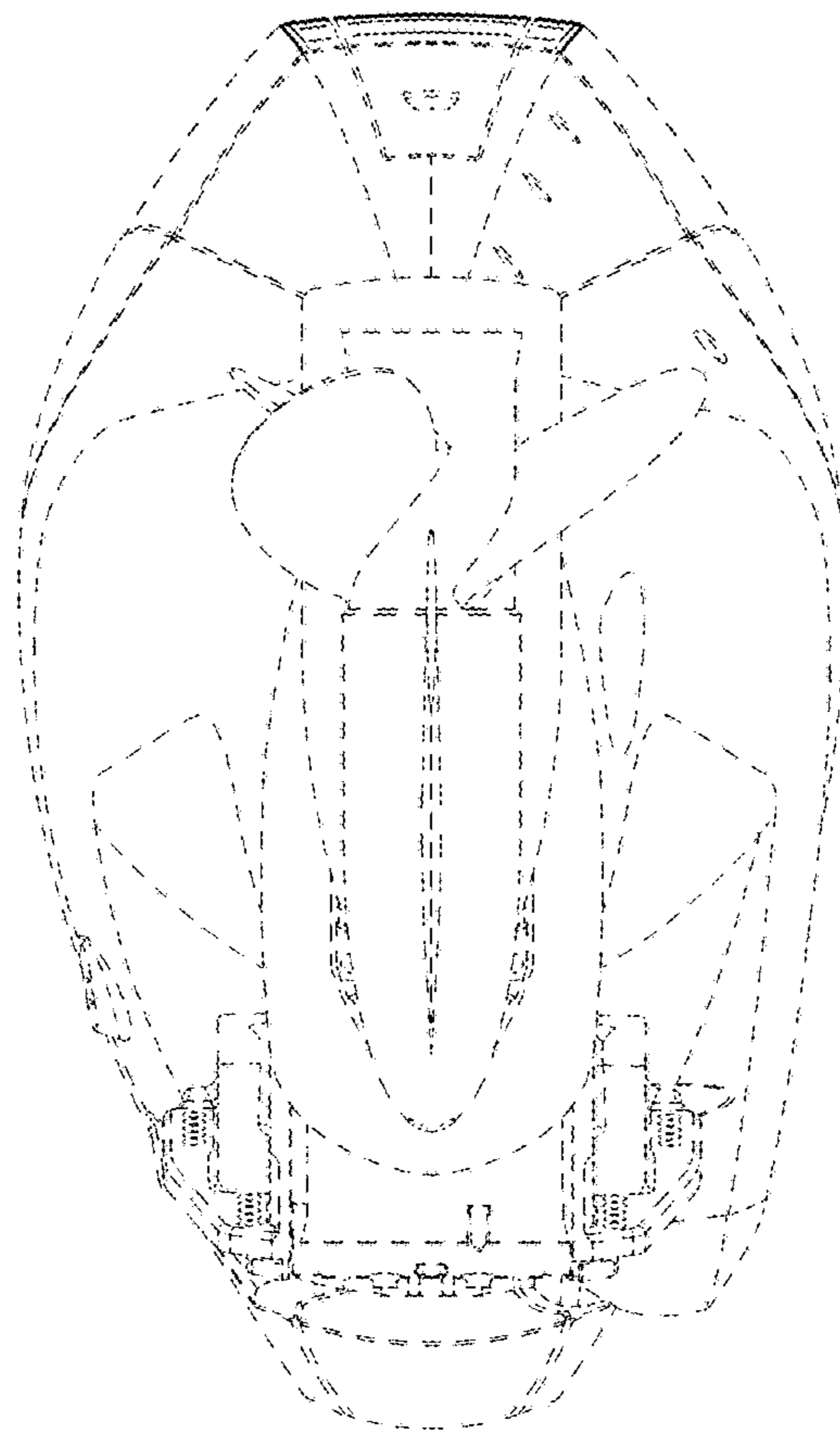


FIG. 14