



US00D852821S

(12) **United States Design Patent** (10) **Patent No.:** **US D852,821 S**
Anderson et al. (45) **Date of Patent:** **** Jul. 2, 2019**

(54) **PORTION OF DISPLAY PANEL WITH A GRAPHICAL USER INTERFACE**

(71) Applicant: **CORSEARCH, INC.**, New York, NY (US)

(72) Inventors: **Stephen C. Anderson**, Morris Plains, NJ (US); **Kimberly D. Friedman**, Brooklyn, NY (US)

(73) Assignee: **CORSEARCH, INC.**, New York, NY (US)

(**) Term: **15 Years**

(21) Appl. No.: **29/648,052**

(22) Filed: **May 17, 2018**

Related U.S. Application Data

(62) Division of application No. 29/563,531, filed on May 5, 2016, now Pat. No. Des. 819,066.

(51) **LOC (11) Cl.** **14-04**

(52) **U.S. Cl.**
USPC **D14/485**

(58) **Field of Classification Search**
USPC D14/485-495; 345/1.1, 1.2, 2.1-2.3, 3.1, 345/902; 715/763, 810, 836, 837, 846, 715/847, 977

CPC G06F 3/048; G06F 3/0481; G06F 3/04812; G06F 3/04817; G06F 3/0482; G06F 3/0483; G06F 3/0484; G06F 3/04847; G06F 3/0485; G06F 3/04855; G06F 3/04886; G06Q 30/00; H03J 1/00; H03J 1/0008; H03J 1/0016; H03J 1/0025; H04N 5/00; H04N 5/08; H04N 5/14; H04N 5/222; H04N 5/225; H04N 5/232; H04N 5/445; H04N 5/44543; H04N 5/45; H04N 2005/44517; H04N 2005/44521; H04N 2005/44526; H04N 2005/4453; H04N 2005/44534; H04N 2005/44539; H04N

(Continued)

(56) **References Cited**

U.S. PATENT DOCUMENTS

6,448,987 B1 * 9/2002 Easty G06F 3/0482 715/834
7,174,516 B2 * 2/2007 Chipchase H04M 1/2745 345/440

(Continued)

FOREIGN PATENT DOCUMENTS

WO WO-2002099694 A1 12/2002
WO WO-2010003286 A1 1/2010

OTHER PUBLICATIONS

Andrews et al., Search result visualisation with xFIND, User Interfaces to Data Intensive Systems, Proceedings of Second International Workshop UIDIS 2001 (May 31-Jun. 1, 2001).

(Continued)

Primary Examiner — Cathron C Brooks

Assistant Examiner — Christian P. McLean

(74) *Attorney, Agent, or Firm* — Marshall, Gerstein & Borun LLP

(57) **CLAIM**

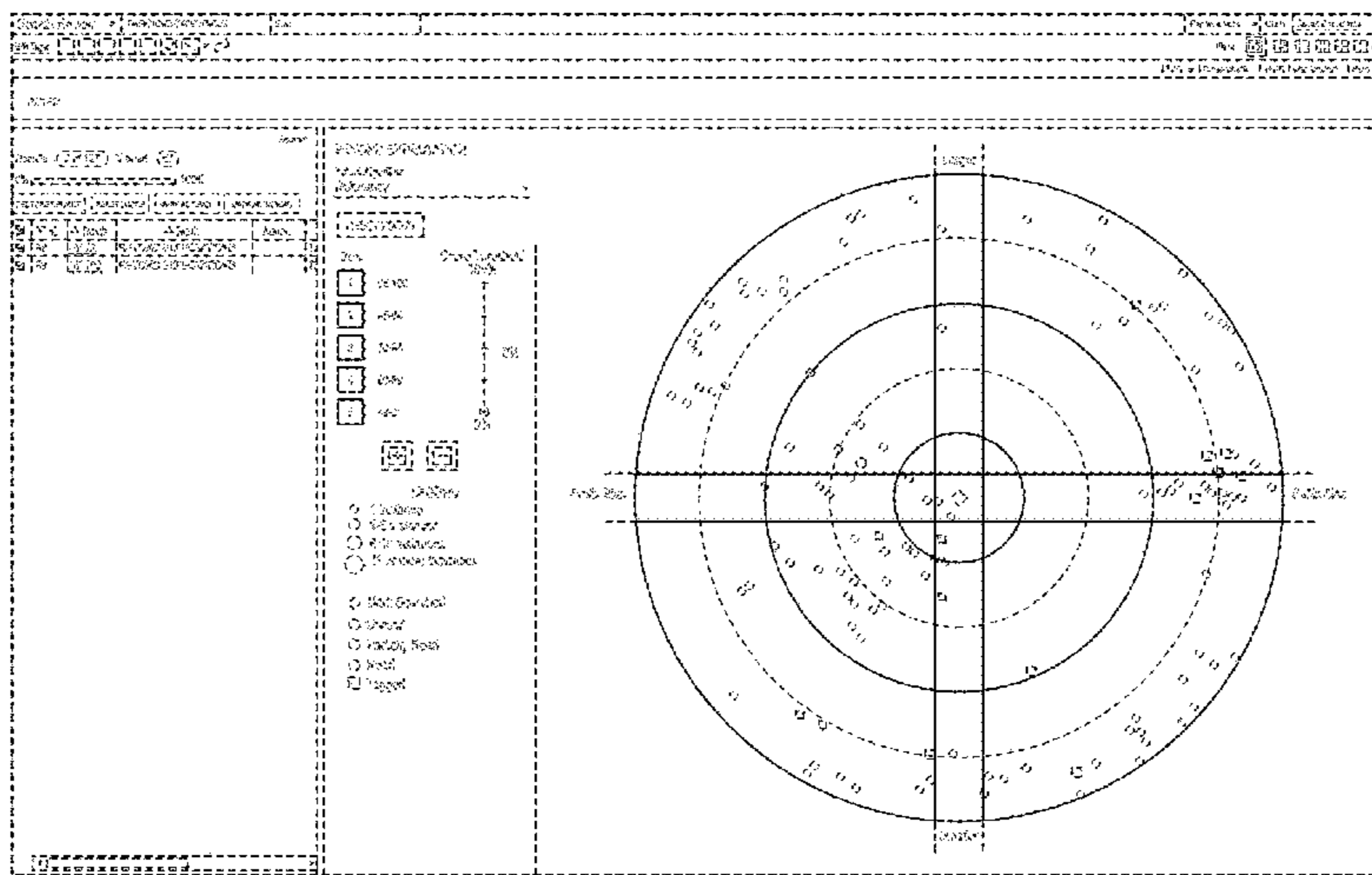
The ornamental design for a portion of display panel with a graphical user interface, as shown and described.

DESCRIPTION

The sole FIGURE is a front view of a portion of a display panel with a graphical user interface, showing the new design.

The outermost broken line illustrates a display panel and forms no part of the claimed design. The remaining broken lines, including all text, illustrate portions of the graphical user interface that form no part of the claimed design.

1 Claim, 1 Drawing Sheet



(58) **Field of Classification Search**

CPC 2005/44547; H04N 2005/44556; H04N
2005/4456; H04N 2005/44565; H04N
2005/44569; H04N 2005/44573; H04N
21/00; H04N 21/234; H04N 21/431;
H04N 21/4312; H04N 21/4314; H04N
21/4316

See application file for complete search history.

(56) **References Cited**

U.S. PATENT DOCUMENTS

7,346,605 B1 3/2008 Hepworth et al.
7,516,416 B2 4/2009 Viswanathan et al.
D614,192 S 4/2010 Takano et al.
8,346,548 B2 1/2013 Owen
D684,585 S 6/2013 Plesnicher et al.
D684,586 S * 6/2013 Plesnicher D14/486
D685,813 S 7/2013 Bork et al.
8,589,786 B2 11/2013 Johnston
D697,080 S 1/2014 Scholz et al.
D700,197 S * 2/2014 Akcasu D14/486
D719,176 S * 12/2014 Cohen D14/485
D719,177 S 12/2014 Cohen et al.
D721,724 S * 1/2015 Horst D14/486
8,935,229 B1 1/2015 Ritchey
D732,555 S 6/2015 Schoger et al.
D733,167 S 6/2015 Schoger et al.
D763,265 S * 8/2016 Trujillo G06F 3/04817
D14/485
D765,672 S 9/2016 Raff et al.
D766,309 S * 9/2016 Wang D14/485
D768,646 S * 10/2016 Master D14/485
D769,287 S 10/2016 Lirov et al.
D772,941 S 11/2016 Nuovo et al.
D781,905 S 3/2017 Nakaguchi et al.
D782,515 S 3/2017 Dzijind et al.
D783,046 S 4/2017 Dzijind et al.
D783,680 S 4/2017 Gauci et al.
D786,273 S 5/2017 Herman et al.
D788,141 S * 5/2017 Kim D14/486
D792,894 S 7/2017 Dzijind et al.
D792,895 S * 7/2017 Dzijind D14/486
D794,675 S 8/2017 Liu et al.
D797,792 S 9/2017 Patterson et al.
D798,884 S 10/2017 Kaasalainen et al.
D803,247 S * 11/2017 Mistry D14/486
D804,492 S * 12/2017 Graham D14/485

D804,494 S * 12/2017 Bombolowsky D14/485
D806,120 S * 12/2017 Elatta D14/490
D813,884 S * 3/2018 Penker D14/485
D814,508 S * 4/2018 Holl D14/488
D819,066 S * 5/2018 Anderson D14/486
D819,678 S * 6/2018 Liu D14/486
D824,405 S * 7/2018 Narinedhat D14/486
D825,583 S * 8/2018 Liu G06Q 30/0202
D14/485
D832,298 S * 10/2018 Joensson D14/486
2002/0042784 A1 4/2002 Kerven et al.
2003/0158743 A1 8/2003 Havlick et al.
2003/0171949 A1 9/2003 Degnan et al.
2004/0220903 A1 11/2004 Shah et al.
2004/0230568 A1 11/2004 Budzyn
2005/0289473 A1 12/2005 Gustafson et al.
2008/0046412 A1 2/2008 Lee et al.
2008/0065611 A1 3/2008 Hepworth et al.
2009/0228476 A1 9/2009 Luther
2010/0229130 A1 9/2010 Edge et al.
2011/0047166 A1 2/2011 Stading et al.
2011/0246452 A1 10/2011 Johnston
2012/0124521 A1 * 5/2012 Guo G06F 3/0482
715/834
2012/0144499 A1 6/2012 Tan et al.
2014/0096078 A1 4/2014 Prior
2014/0280104 A1 9/2014 Summerfield
2015/0058769 A1 * 2/2015 Kim G06F 9/451
715/765
2015/0324469 A1 11/2015 Keyngnaert et al.
2016/0132979 A1 5/2016 Schneller et al.
2016/0147406 A1 * 5/2016 Yi G06F 3/0482
715/863
2016/0260033 A1 9/2016 Keyngnaert et al.
2017/0192634 A1 * 7/2017 Zhong G06F 3/04845

OTHER PUBLICATIONS

International Search Report and Written Opinion, International
Application No. PCT/US2017/031026, dated Jul. 10, 2017.
Nguyen et al., A novel visualization model for web search results,
IEEE Trans. on Visualization and Computer Graphics, IEEE Service
Center, Los Alamitos, California, vol. 12, No. 5, pp. 981-988 (Sep.
1, 2006).
Nowell et al., Visualizing search results, Proceedings of the 19th
Annual International ACM SIGIR Conference on Research and
Development in Information Retrieval (Aug. 18-22, 1996).

* cited by examiner

