



US00D852817S

(12) **United States Design Patent** (10) **Patent No.:** **US D852,817 S**
Aoshima (45) **Date of Patent:** **** Jul. 2, 2019**

(54) **DIGITAL CAMERA DISPLAY SCREEN WITH GRAPHICAL USER INTERFACE**

(71) Applicant: **FUJIFILM Corporation**, Tokyo (JP)

(72) Inventor: **Yuzo Aoshima**, Saitama (JP)

(73) Assignee: **FUJIFILM Corporation**, Minato-Ku, Tokyo (JP)

(*) Notice: This patent is subject to a terminal disclaimer.

(**) Term: **15 Years**

(21) Appl. No.: **29/616,260**

(22) Filed: **Sep. 5, 2017**

(30) **Foreign Application Priority Data**

Mar. 6, 2017 (JP) 2017-004580

(51) **LOC (11) Cl.** **14-04**

(52) **U.S. Cl.**
USPC **D14/485**

(58) **Field of Classification Search**
USPC D14/485-495
CPC G06F 3/048; G06F 3/0481; G06F 3/0482;
G06F 3/04842; G06F 3/04817
See application file for complete search history.

(56) **References Cited**

U.S. PATENT DOCUMENTS

D307,127 S *	4/1990	Simons	D12/192
D644,652 S *	9/2011	van der spek	D14/486
D644,653 S *	9/2011	van der Spek	D14/486
D690,718 S *	10/2013	Thomsen	D14/485
D697,519 S *	1/2014	Thomsen	D14/485

D701,226 S *	3/2014	Jung	D14/486
D759,077 S *	6/2016	Bergmann	D14/486
D762,663 S *	8/2016	Lee	D14/485
D763,916 S *	8/2016	Um	D14/489
D772,241 S *	11/2016	Capano	D14/485
D772,935 S *	11/2016	Gauci	D14/490
D788,792 S *	6/2017	Alessandri	D14/485
D790,571 S *	6/2017	Deusing	D14/486
D795,885 S *	8/2017	Pritchard	D14/485
D797,788 S *	9/2017	Havranek, Jr.	D14/488
D806,725 S *	1/2018	Ryu	D14/485
D809,535 S *	2/2018	Park	D14/485
D823,858 S *	7/2018	Li	D14/485

* cited by examiner

Primary Examiner — Sheryl Lane

Assistant Examiner — Nicole C Shiflet

(74) *Attorney, Agent, or Firm* — Sughrue Mion, PLLC

(57) **CLAIM**

The ornamental design for a digital camera display screen with graphical user interface, as shown and described.

DESCRIPTION

FIG. 1 is a rear perspective view of a digital camera display screen with graphical user interface, showing the design in a camera environment;

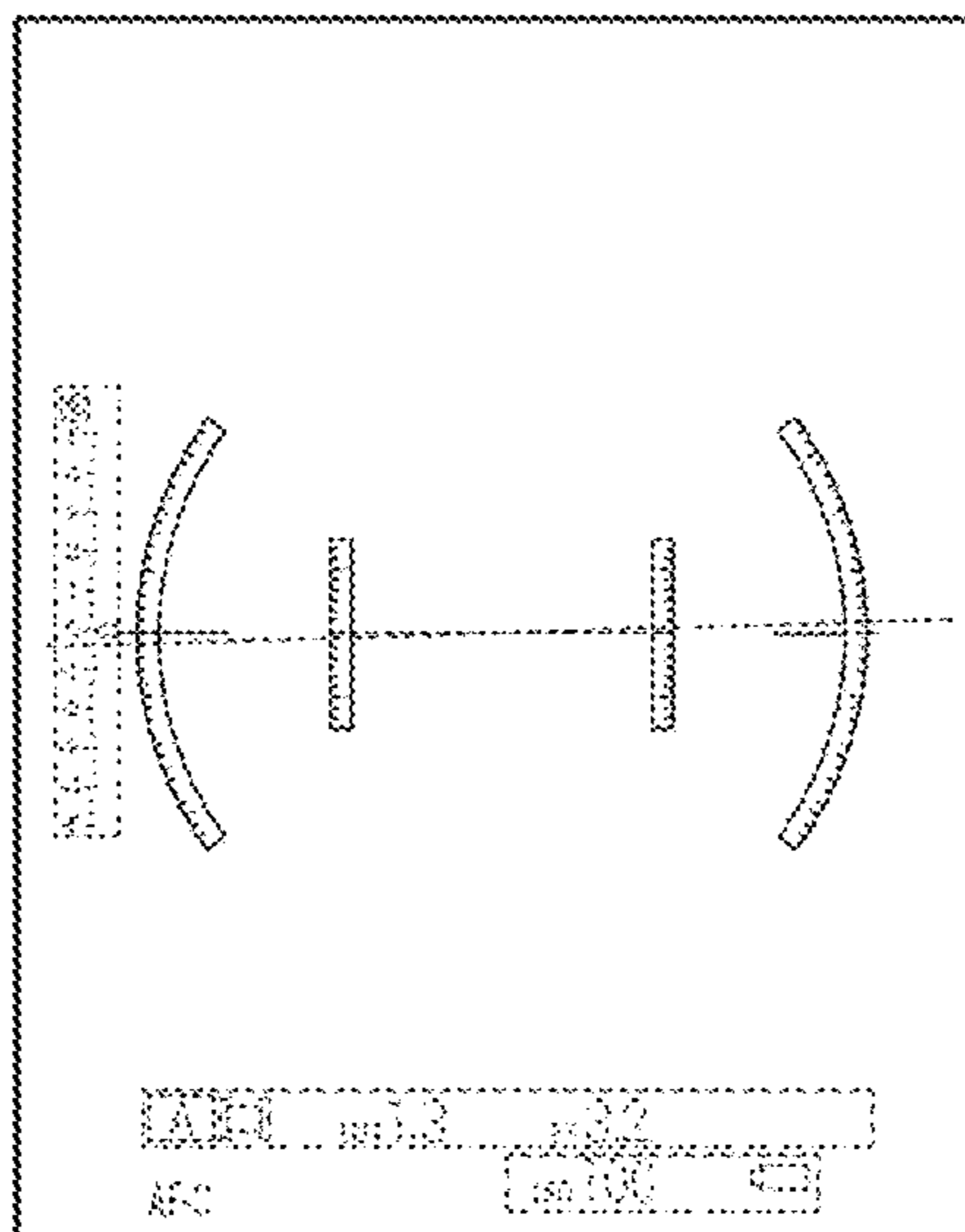
FIG. 2 is a front view thereof.

FIG. 3 is a rear view thereof; and,

FIG. 4 is an enlarged rear view thereof, showing the display screen separately for clarity of illustration.

The broken line showing of a digital camera is for the purpose of showing environment, and forms no part of the claimed design. The broken line showing of portions of the graphical user interface is included for the purpose of illustrating portions of the article and forms no part of the claimed design.

1 Claim, 4 Drawing Sheets



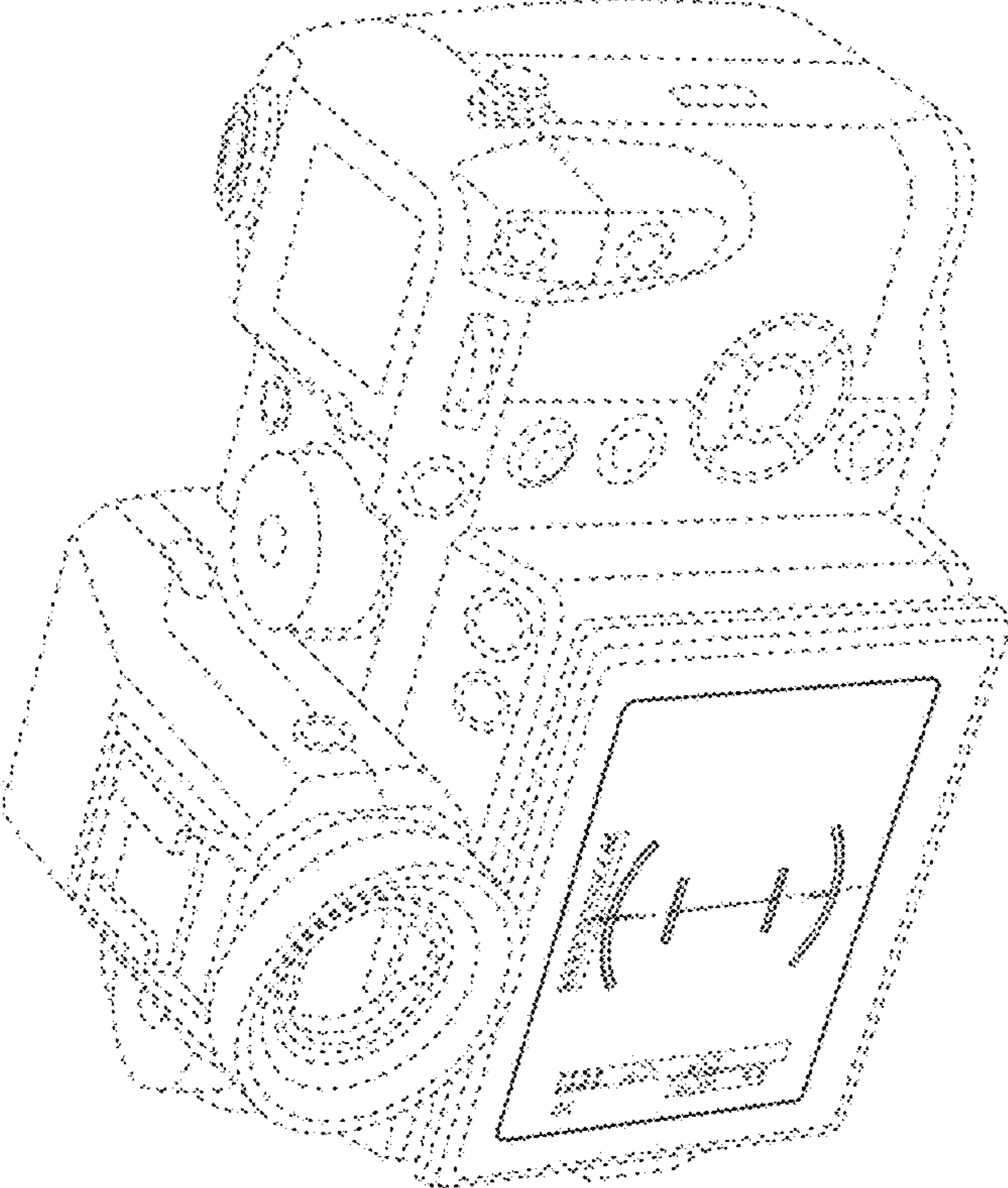


Fig. 1

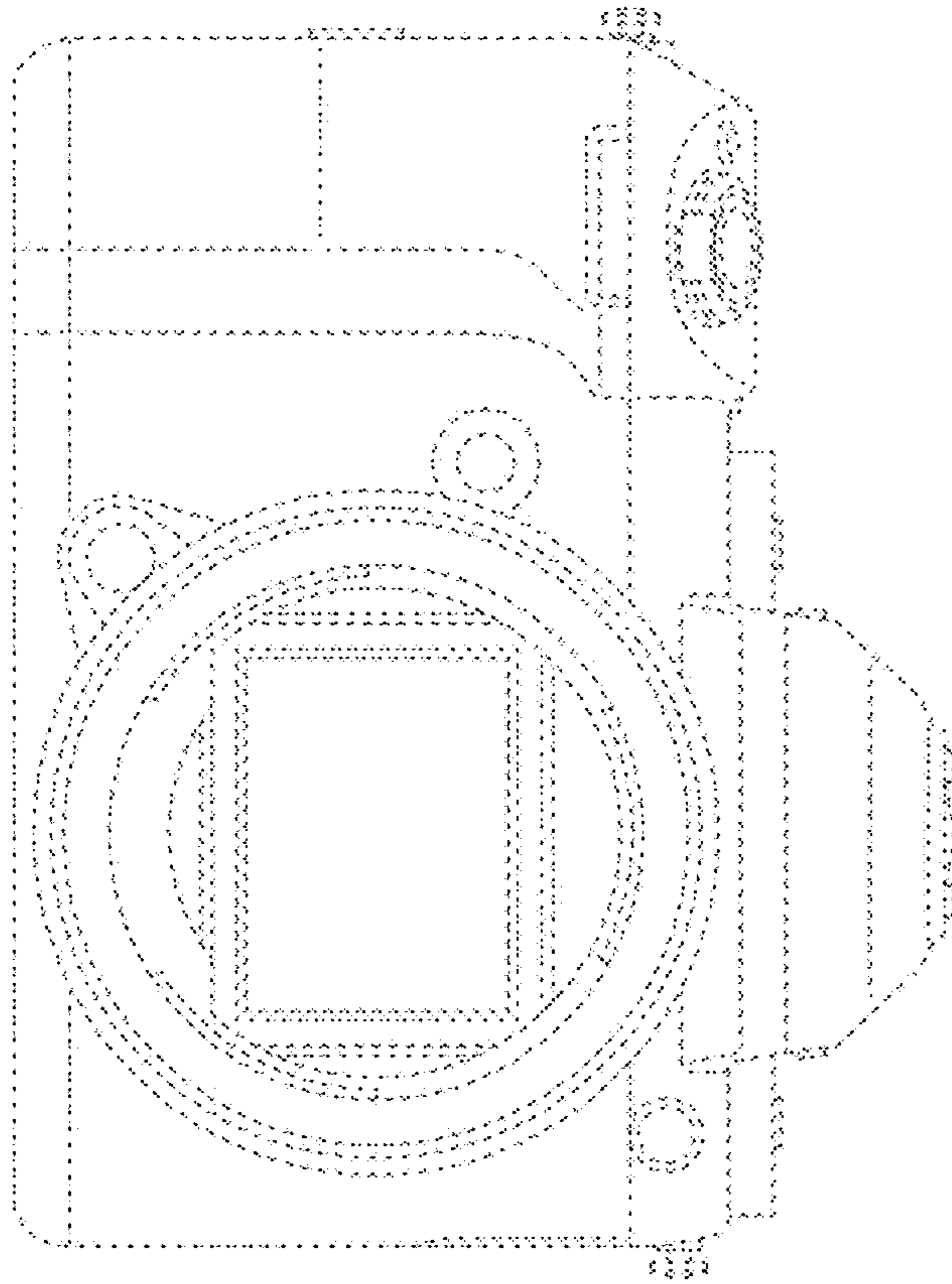


Fig. 2

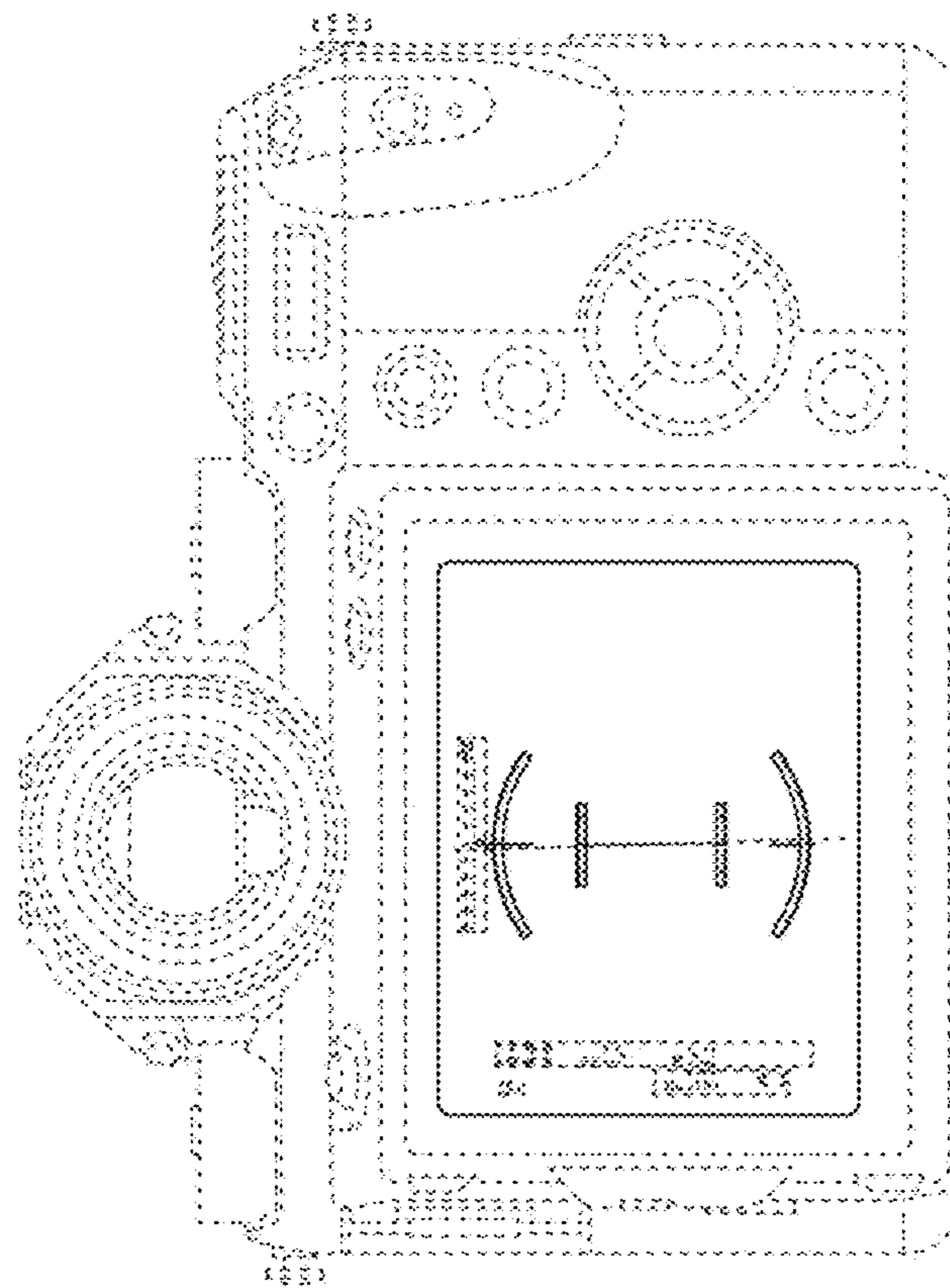


Fig. 3

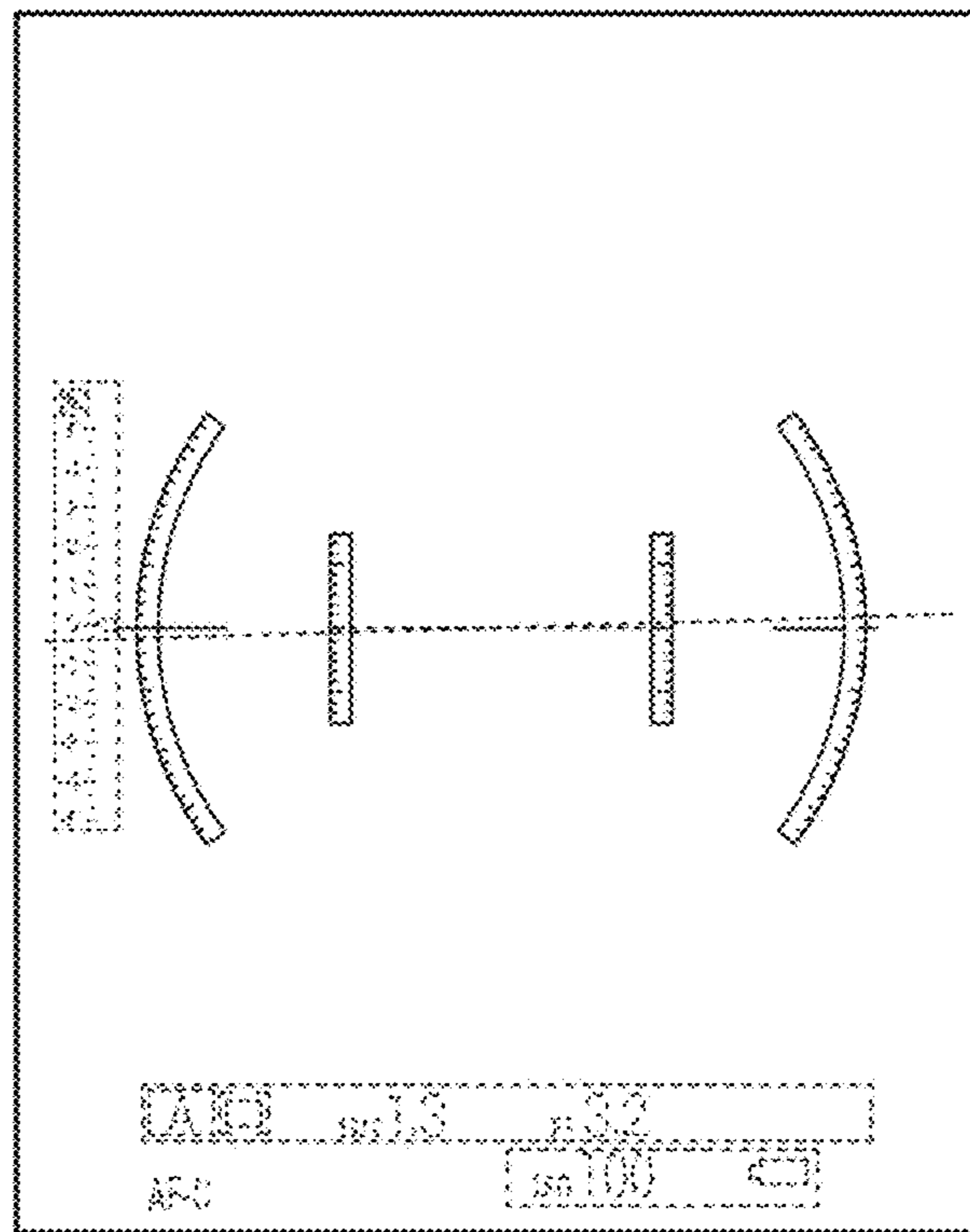


Fig. 4