



US00D852806S

(12) **United States Design Patent**
Gehring

(10) **Patent No.: US D852,806 S**

(45) **Date of Patent: ** Jul. 2, 2019**

(54) **PROCESS DATA RECORDER FOR INJECTION MOLDING PROCESSES**

(71) Applicant: **OTTO MÄNNER GMBH**, Bahlingen
A.k. (DE)

(72) Inventor: **Alexander Gehring**, Bötzingen (DE)

(**) Term: **15 Years**

(21) Appl. No.: **35/504,795**

(22) Filed: **Oct. 17, 2017**

(80) **Hague Agreement Data**

Int. Filing Date: **Oct. 17, 2017**

Int. Reg. No.: **DM/099424**

Int. Reg. Date: **Oct. 17, 2017**

Int. Reg. Pub. Date: **Apr. 20, 2018**

(51) **LOC (11) Cl.** **14-99**

(52) **U.S. Cl.**
USPC **D14/474**

(58) **Field of Classification Search**

USPC D10/104.1, 106.95

CPC G11B 5/0086

See application file for complete search history.

(56) **References Cited**

U.S. PATENT DOCUMENTS

D208,227 S * 8/1967 Dwyer D10/106.95
5,774,288 A * 6/1998 Kikuchi G11B 5/0086
360/48

D454,854 S * 3/2002 Yamashita D14/167
D571,244 S * 6/2008 Barrantes D10/104.1
D699,616 S * 2/2014 Ke D10/106.95
D719,862 S * 12/2014 Fiedler D10/106.95
D745,526 S * 12/2015 Takano D14/474

* cited by examiner

Primary Examiner — George D. Kirschbaum

(57) **CLAIM**

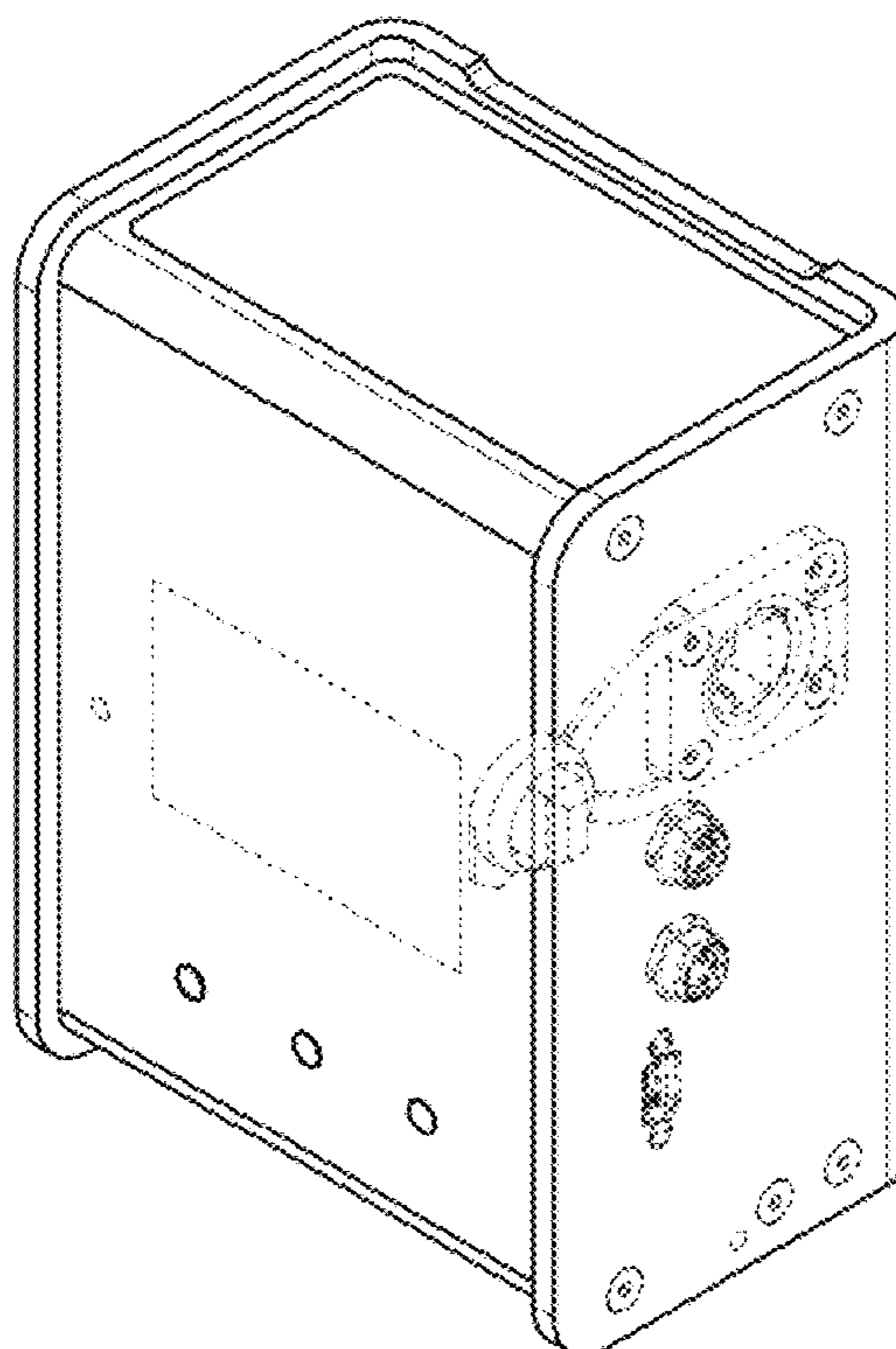
The ornamental design for a process data recorder for injection molding processes, as shown and described.

DESCRIPTION

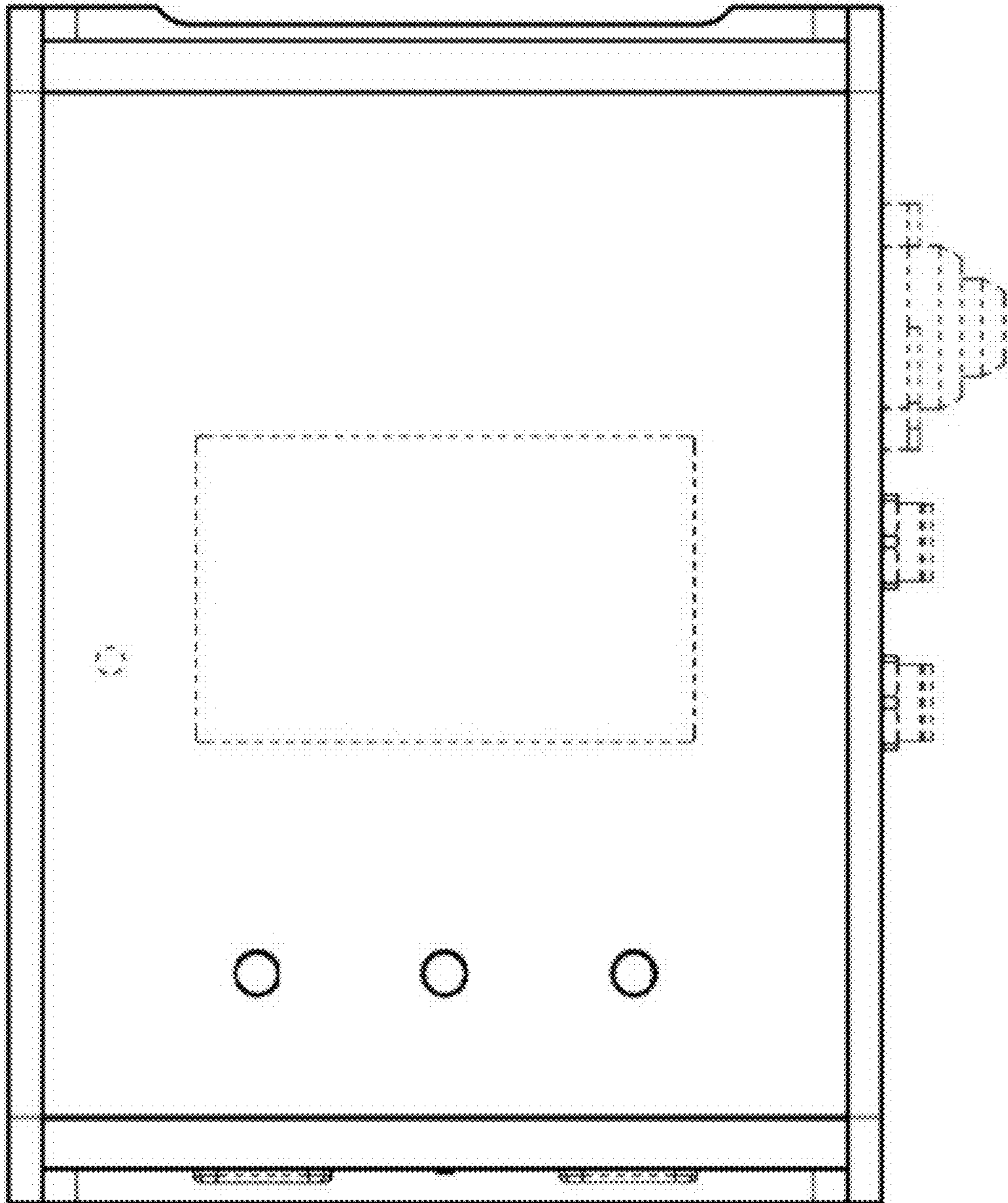
- 1.-2. Process data recorder for injection molding processes
- 1.1 : Front
- 1.2 : Back
- 1.3 : Right
- 1.4 : Left
- 1.5 : Top
- 1.6 : Bottom
- 1.7 : Perspective
- 1.8 : Perspective
- 1.9 : Perspective
- 1.10 : Perspective
- 2.0 : Perspective

The broken lines depict unclaimed environmental subject matter.

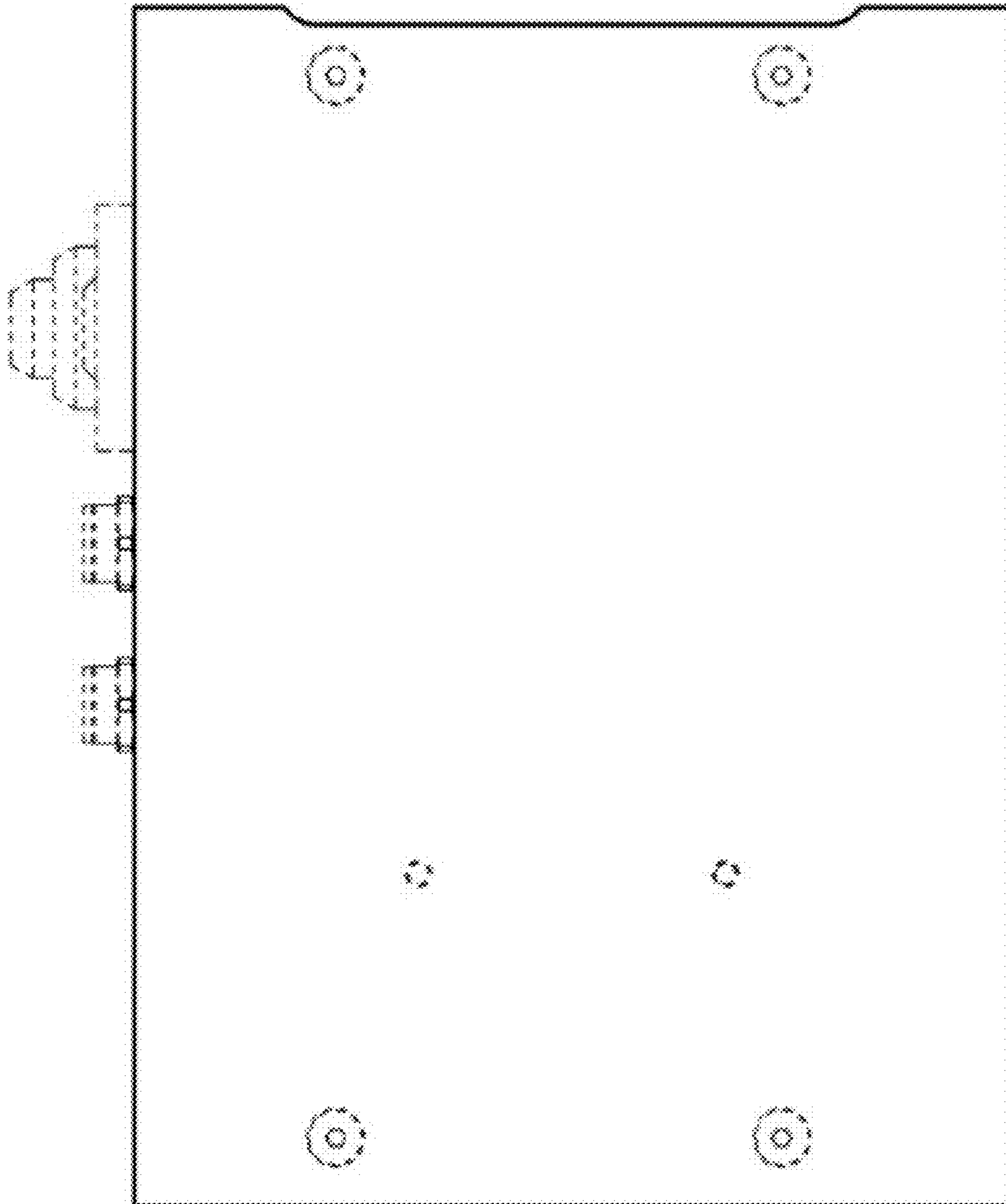
1 Claim, 11 Drawing Sheets



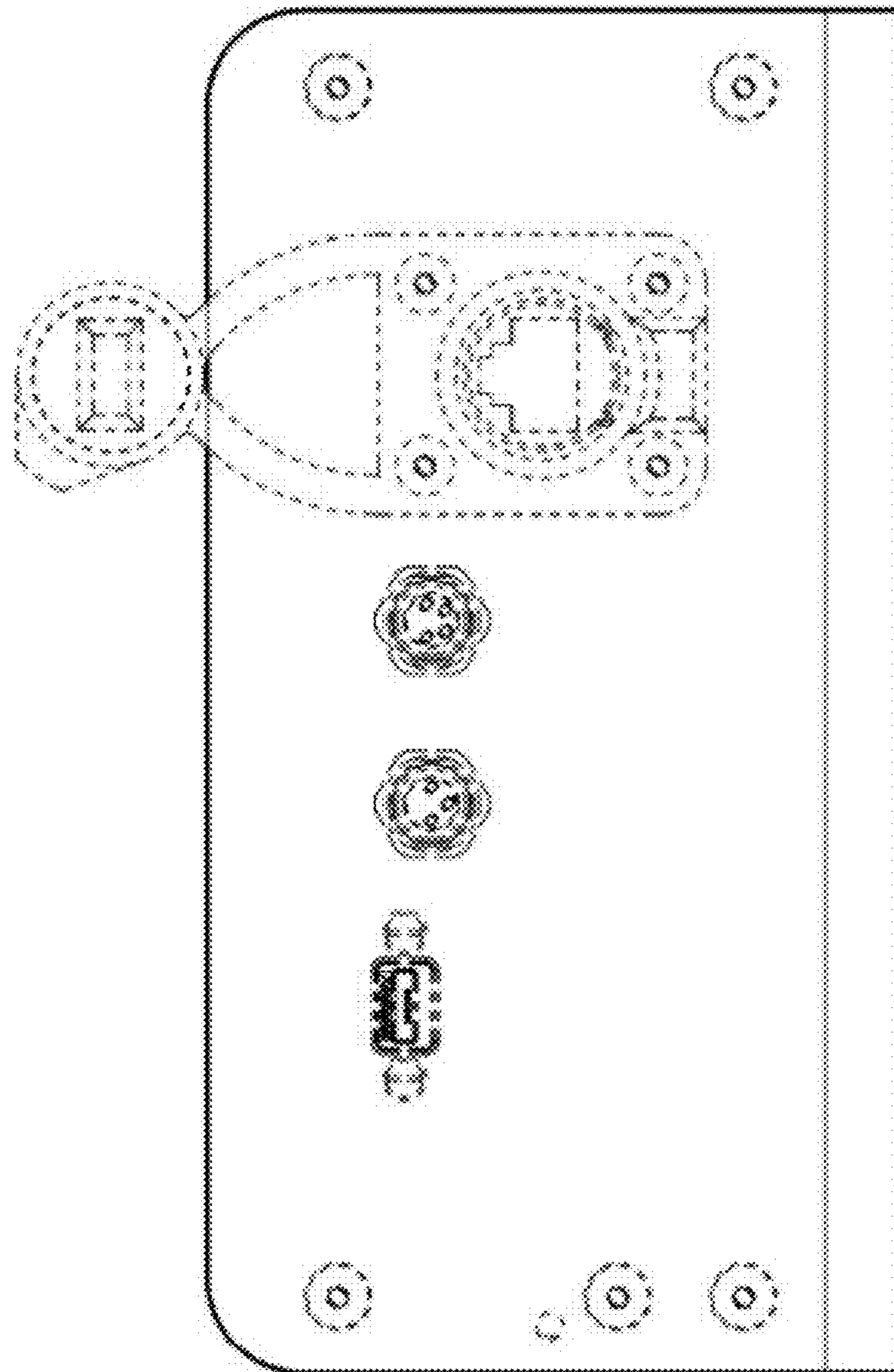
1.1



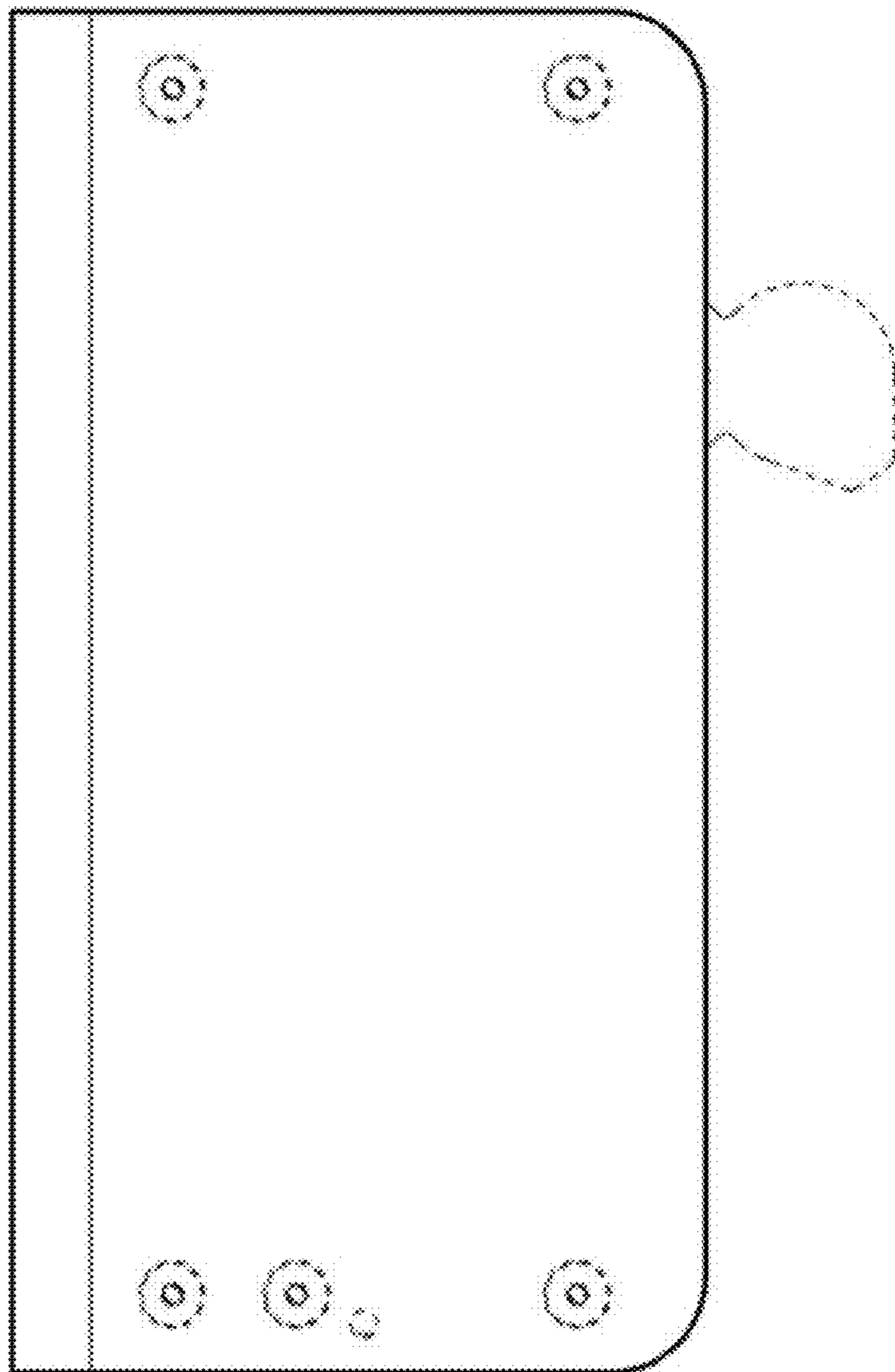
1.2



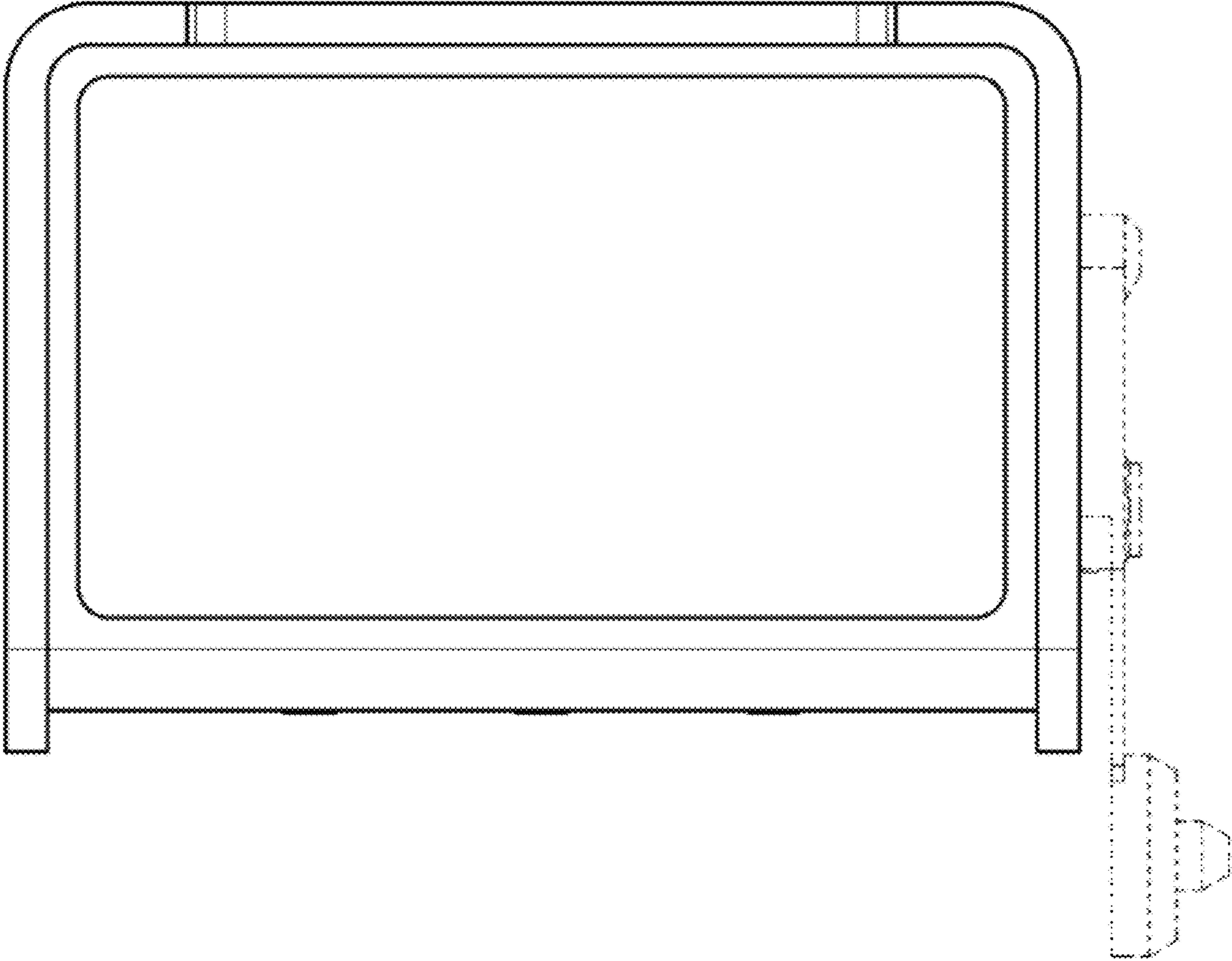
1.3



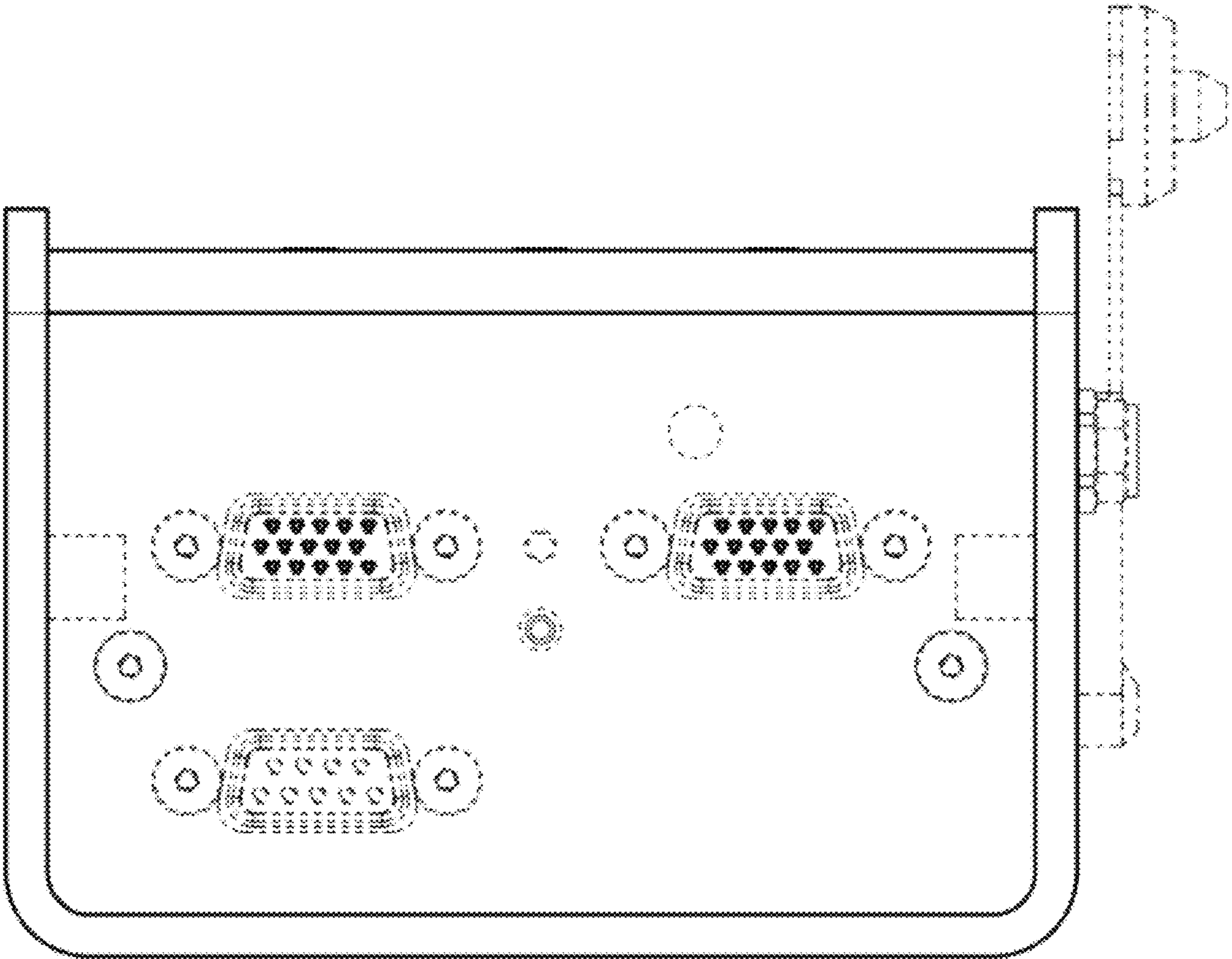
1.4



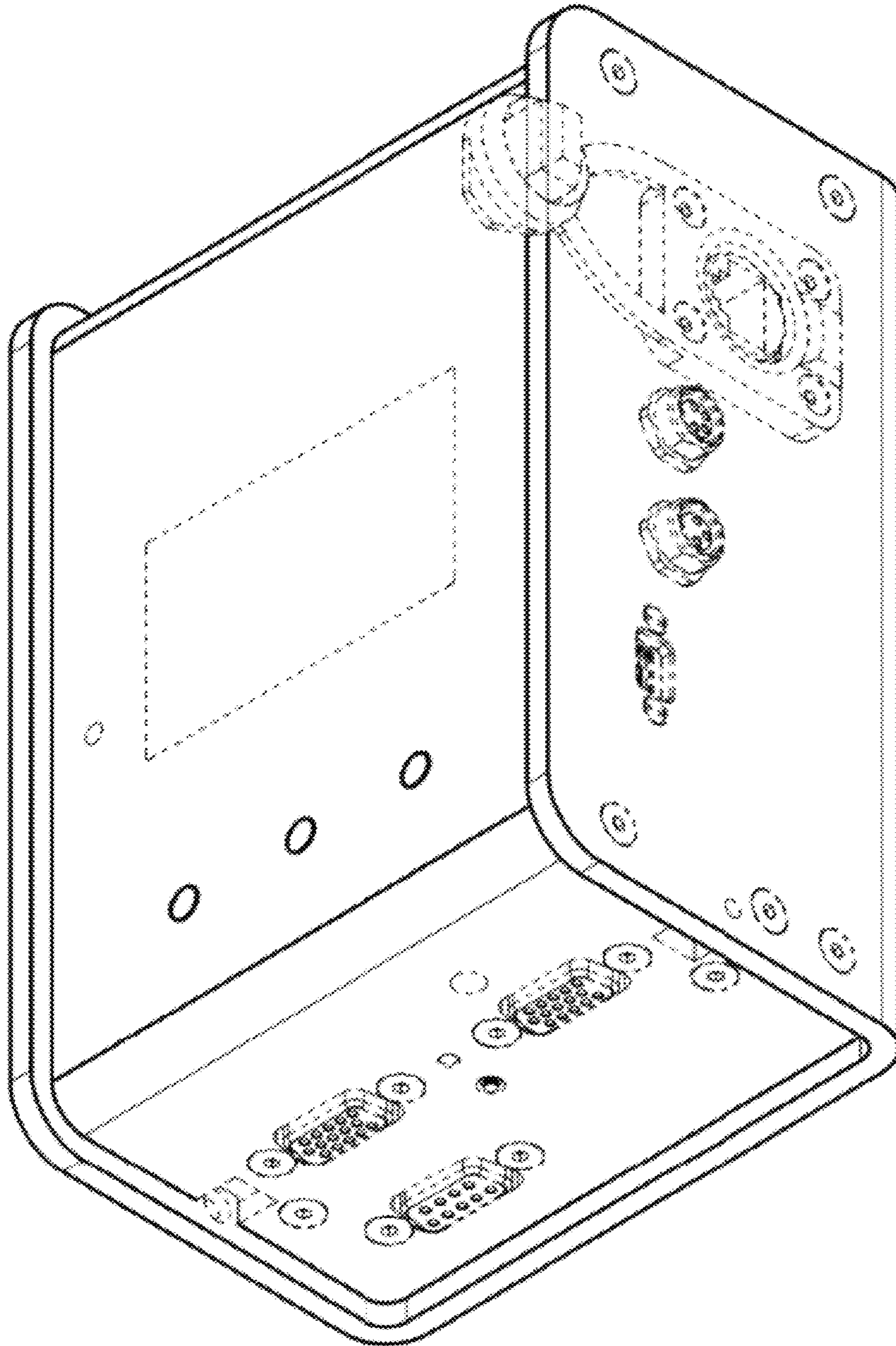
1.5



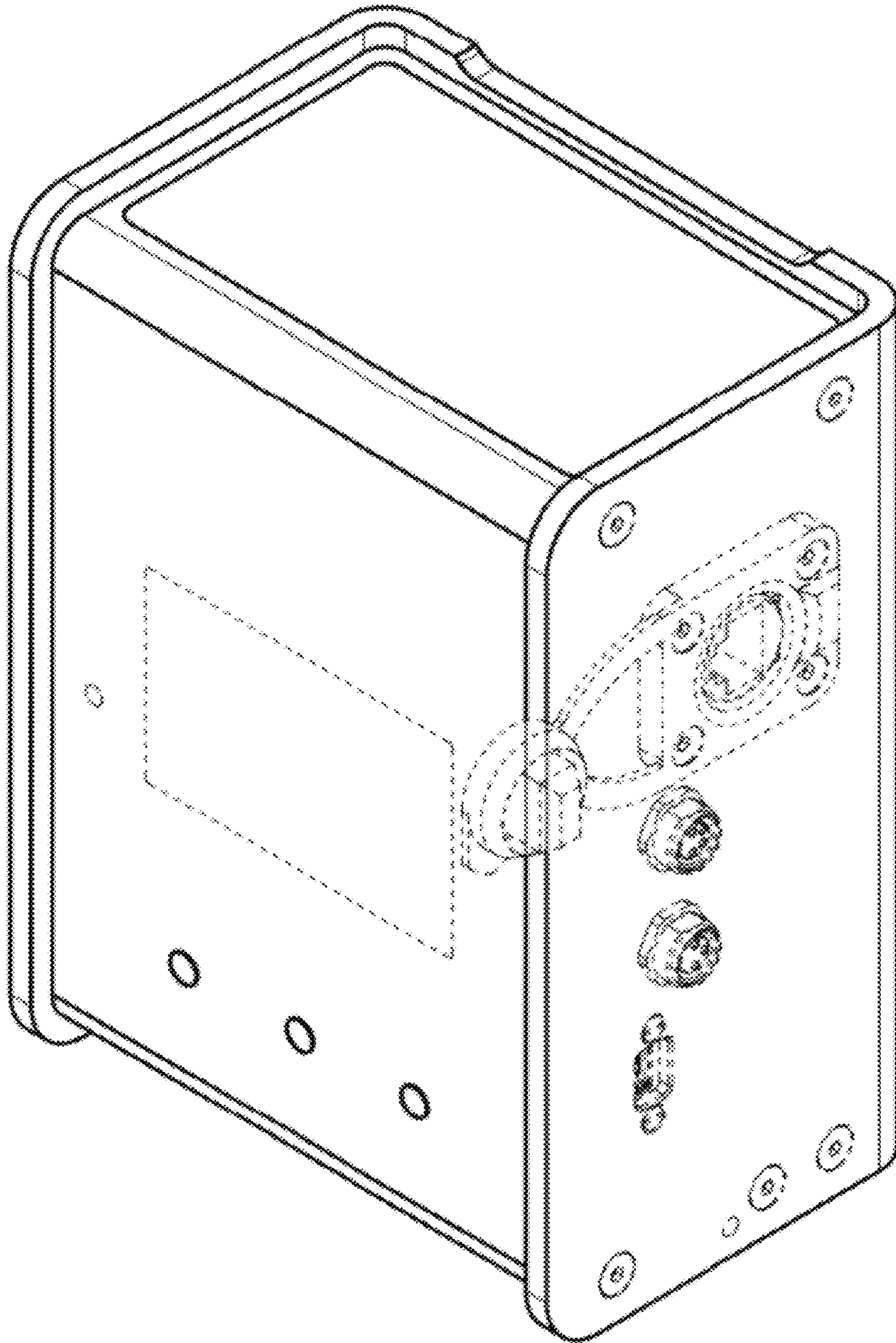
1.6



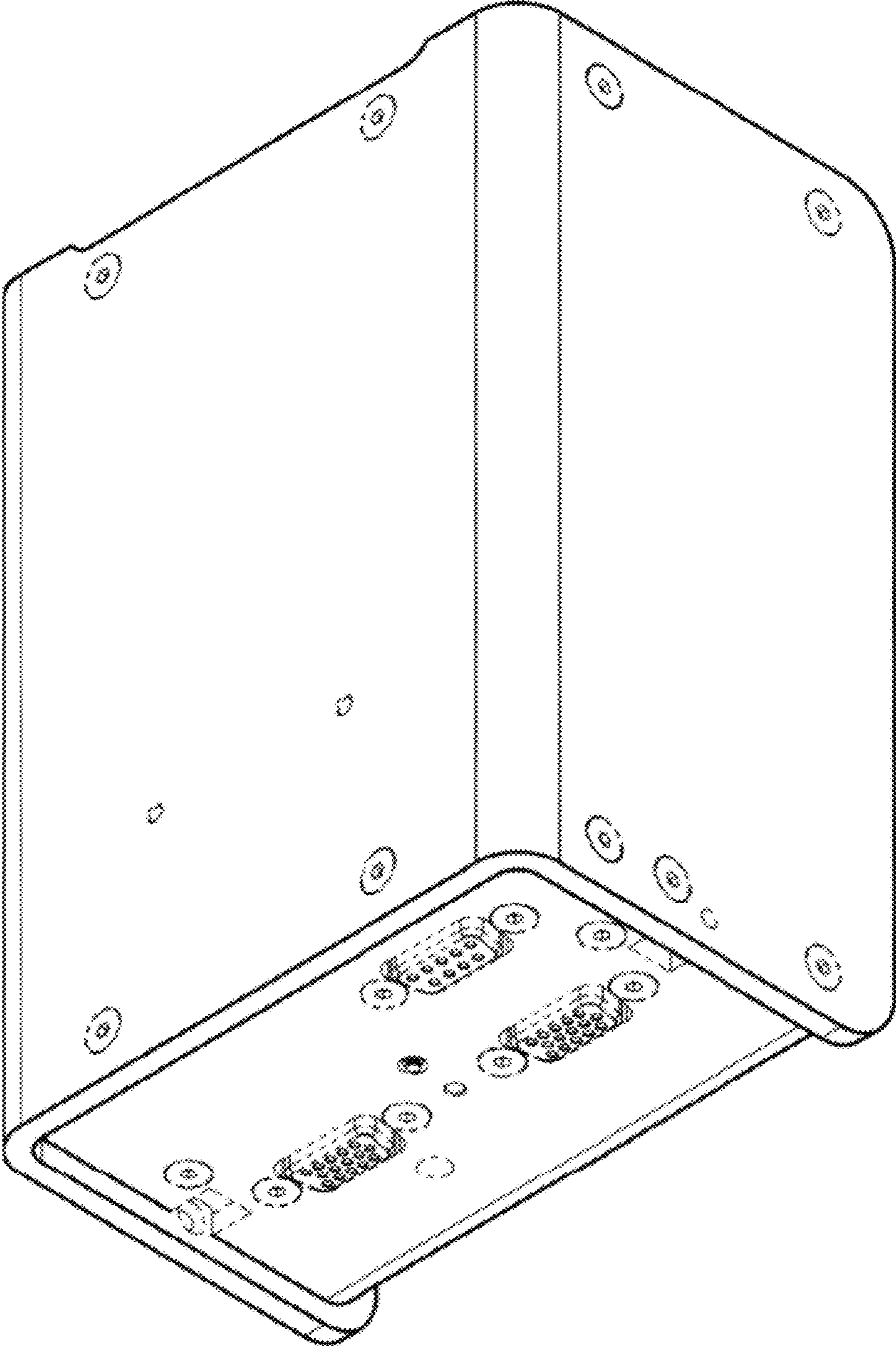
1.7



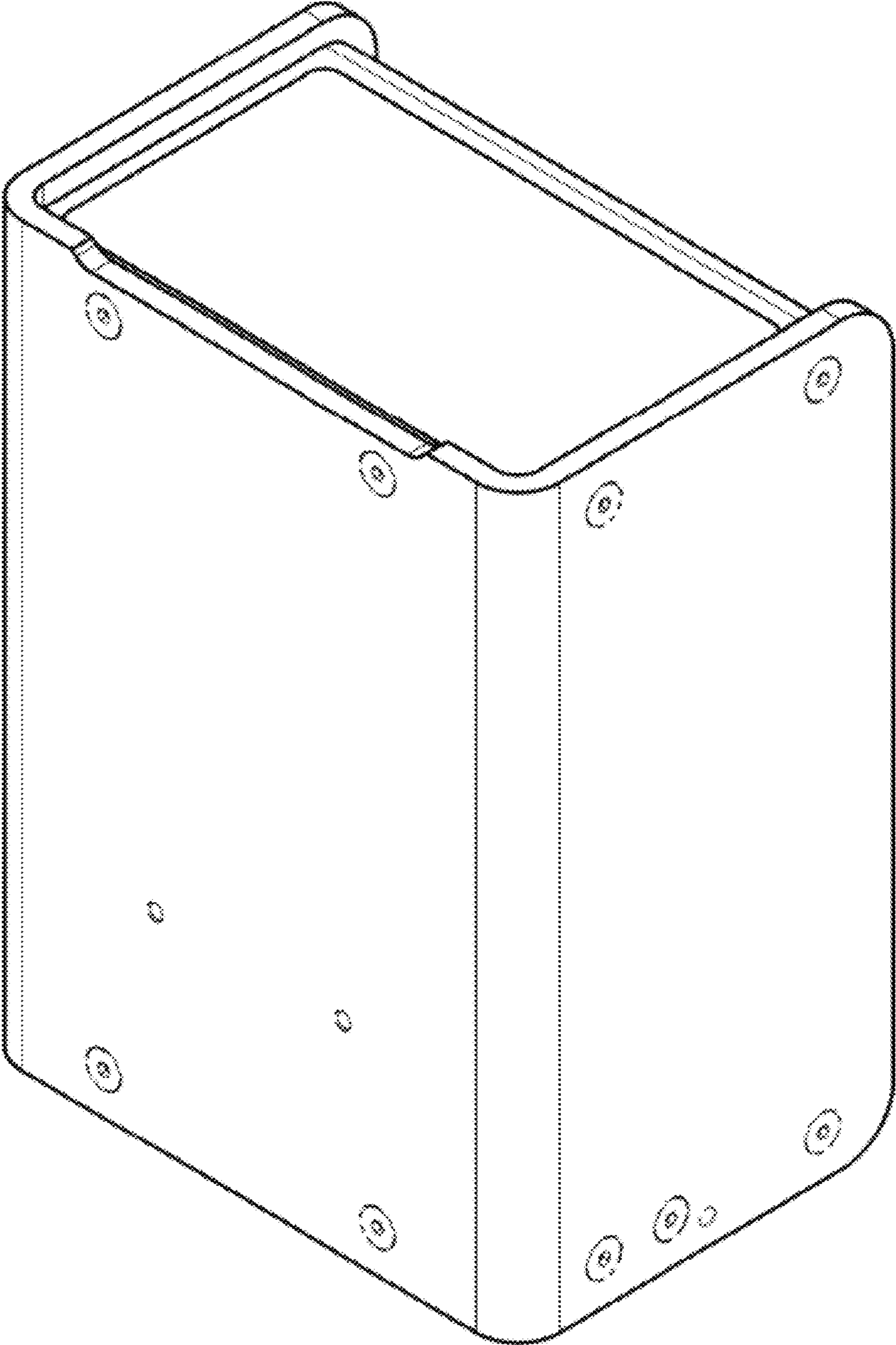
1.8



1.9



1.10



2.0

