



US00D852805S

(12) **United States Design Patent** (10) **Patent No.:** **US D852,805 S**  
**Lyu** (45) **Date of Patent:** **\*\* Jul. 2, 2019**

(54) **TV MOUNT**

(71) Applicant: **Yaqi Lyu**, Shenzhen (CN)

(72) Inventor: **Yaqi Lyu**, Shenzhen (CN)

(\*\*) Term: **15 Years**

(21) Appl. No.: **29/678,773**

(22) Filed: **Jan. 31, 2019**

(51) **LOC (11) Cl.** ..... **14-02**

(52) **U.S. Cl.**  
USPC ..... **D14/452**; D14/239

(58) **Field of Classification Search**  
USPC ..... D14/371-382, 125-129, 336, 337,  
D14/447-452, 492, 335, 239, 457,  
D14/439-441, 432, 251-253; D8/349,  
D8/354, 363, 373, 376, 380; D21/333;  
D12/415; D3/218; 348/180, 184, 325,  
348/739, 825

CPC ..... G06F 3/0412; G06F 3/016; G06F 3/0488;  
G06F 3/011; G06F 3/038; G06F 3/03543;  
G06F 3/0338; G06F 3/0202; G06F  
3/0219; G06F 3/0213; G06F 1/1616;  
G06F 3/023; G06F 3/04883; G02F  
1/13338; G02F 1/1313; G02F 1/1333;  
G02F 1/135; G02F 1/132; G02F  
1/133308; G02F 1/134309; G02F  
1/13718; G09G 3/3648; G06K 15/1252;  
B41J 2/465; G03F 7/70291; G02B  
27/0172; G02B 5/30; G02B 2027/0118;  
G02B 27/0101; F16M 13/02; F16M  
13/00; F16M 11/10; F16M 11/04; F16M  
2200/08; F16M 11/2021; A47B 21/0314;  
A47B 88/044; A47B 2021/0335; H02G  
3/126; F16B 47/00; F16B 47/006; A47G  
1/17; A47K 2201/00

See application file for complete search history.

(56) **References Cited**

U.S. PATENT DOCUMENTS

D543,210	S	*	5/2007	Stenhouse	.....	D14/452
D558,562	S	*	1/2008	Ciungan	.....	D14/452
D558,563	S	*	1/2008	Ciungan	.....	D14/452
D559,088	S	*	1/2008	Ciungan	.....	D14/452
D581,916	S	*	12/2008	Sculler	.....	D14/239
D587,716	S	*	3/2009	Hau	.....	D14/239
D623,654	S	*	9/2010	Hau	.....	D14/452
D660,844	S	*	5/2012	Kaluza	.....	D14/452
RE45,646	E	*	8/2015	Ciungan	.....	D8/363
D816,646	S		5/2018	Pei		
D822,011	S		7/2018	Namala		
10,010,177	B1	*	7/2018	Pei	.....	A47B 97/001
D841,631	S	*	2/2019	Pei	.....	D14/239
D842,284	S	*	3/2019	Pei	.....	D14/239
2008/0035816	A1	*	2/2008	Ciungan	.....	F16M 11/10 248/276.1

\* cited by examiner

*Primary Examiner* — Katie Jane Stofko  
(74) *Attorney, Agent, or Firm* — JCIP Global Inc.

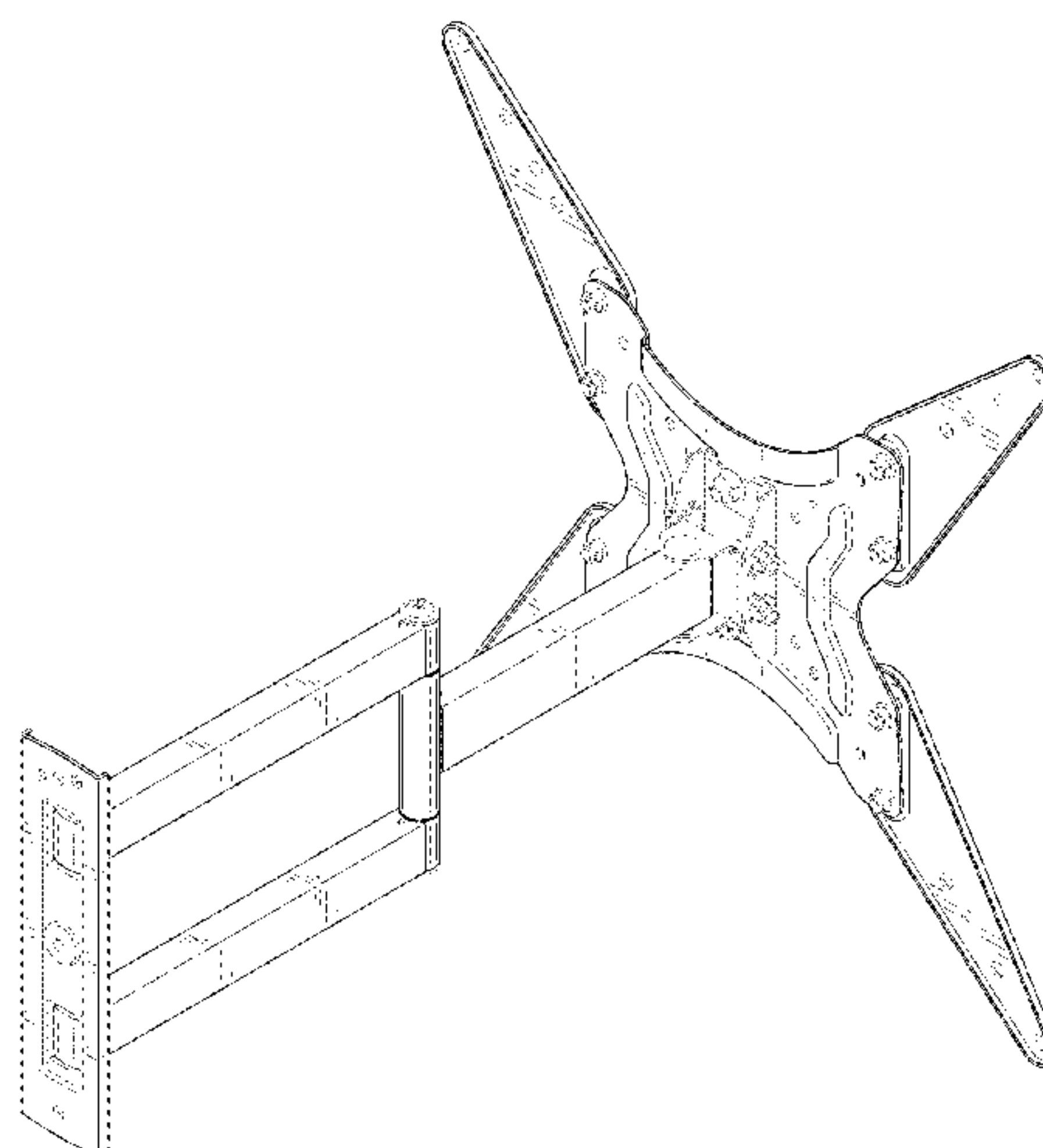
(57) **CLAIM**

The ornamental design for a TV mount, as shown and described.

**DESCRIPTION**

FIG. 1 is a perspective view of a TV mount showing my new design;  
FIG. 2 is another perspective view thereof;  
FIG. 3 is a right side elevation view thereof;  
FIG. 4 is a left side elevation view thereof;  
FIG. 5 is a bottom plan view thereof;  
FIG. 6 is a top plan view thereof;  
FIG. 7 is a front elevation view thereof; and,  
FIG. 8 is a rear elevation view thereof.  
The broken lines shown in the drawings represent portions of the TV mount that form no part of the claimed design.

**1 Claim, 8 Drawing Sheets**



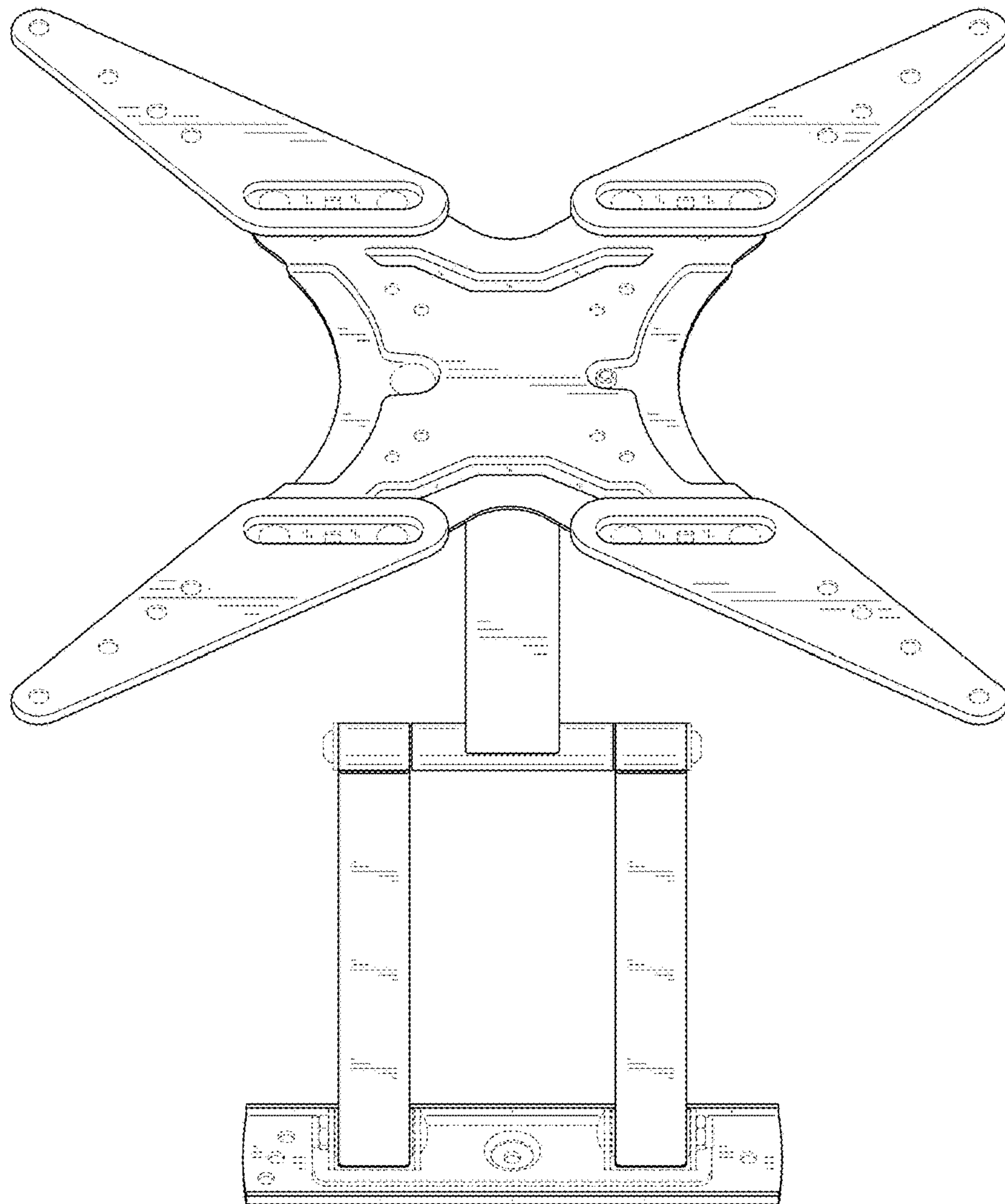


FIG. 1

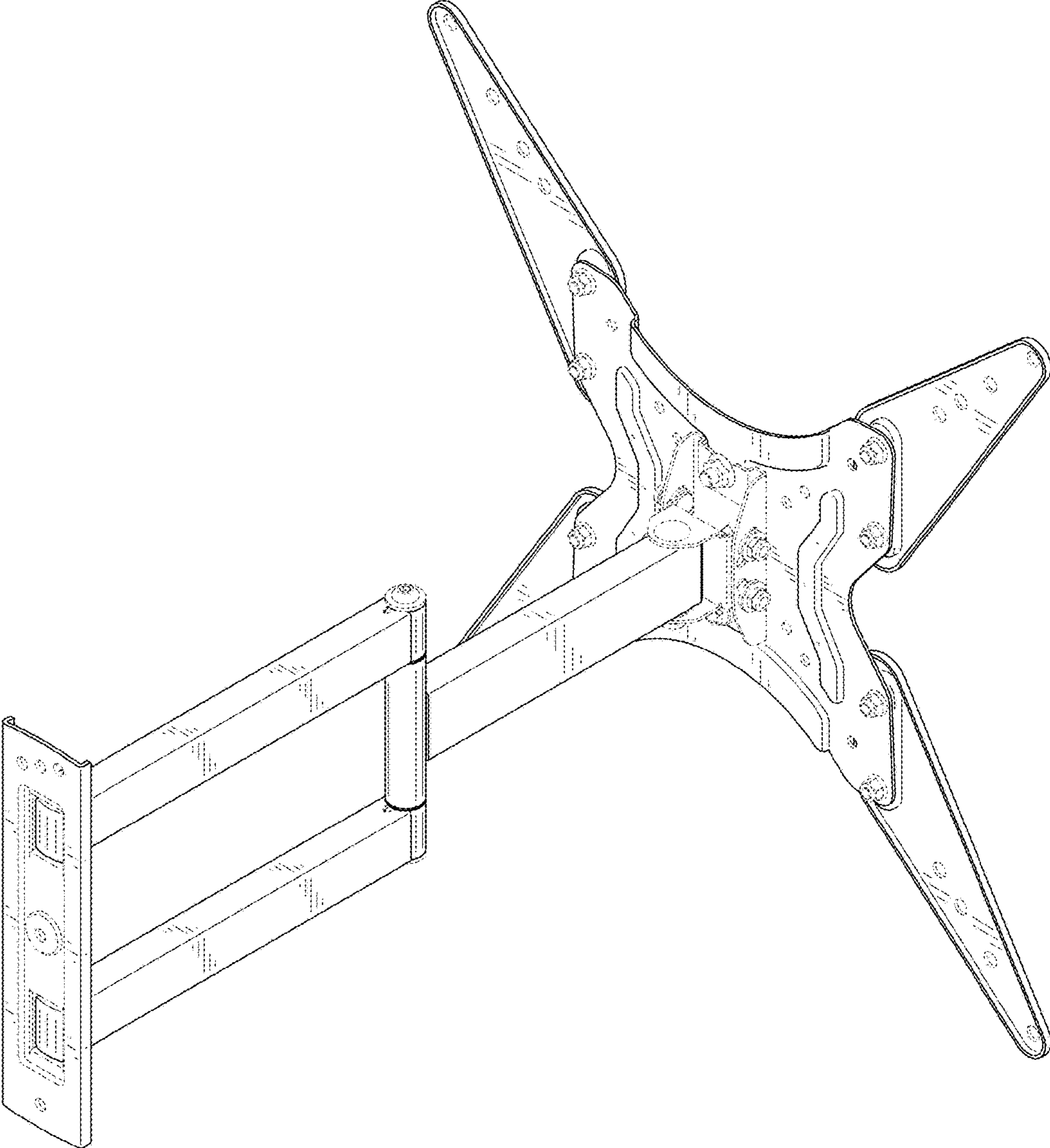


FIG. 2

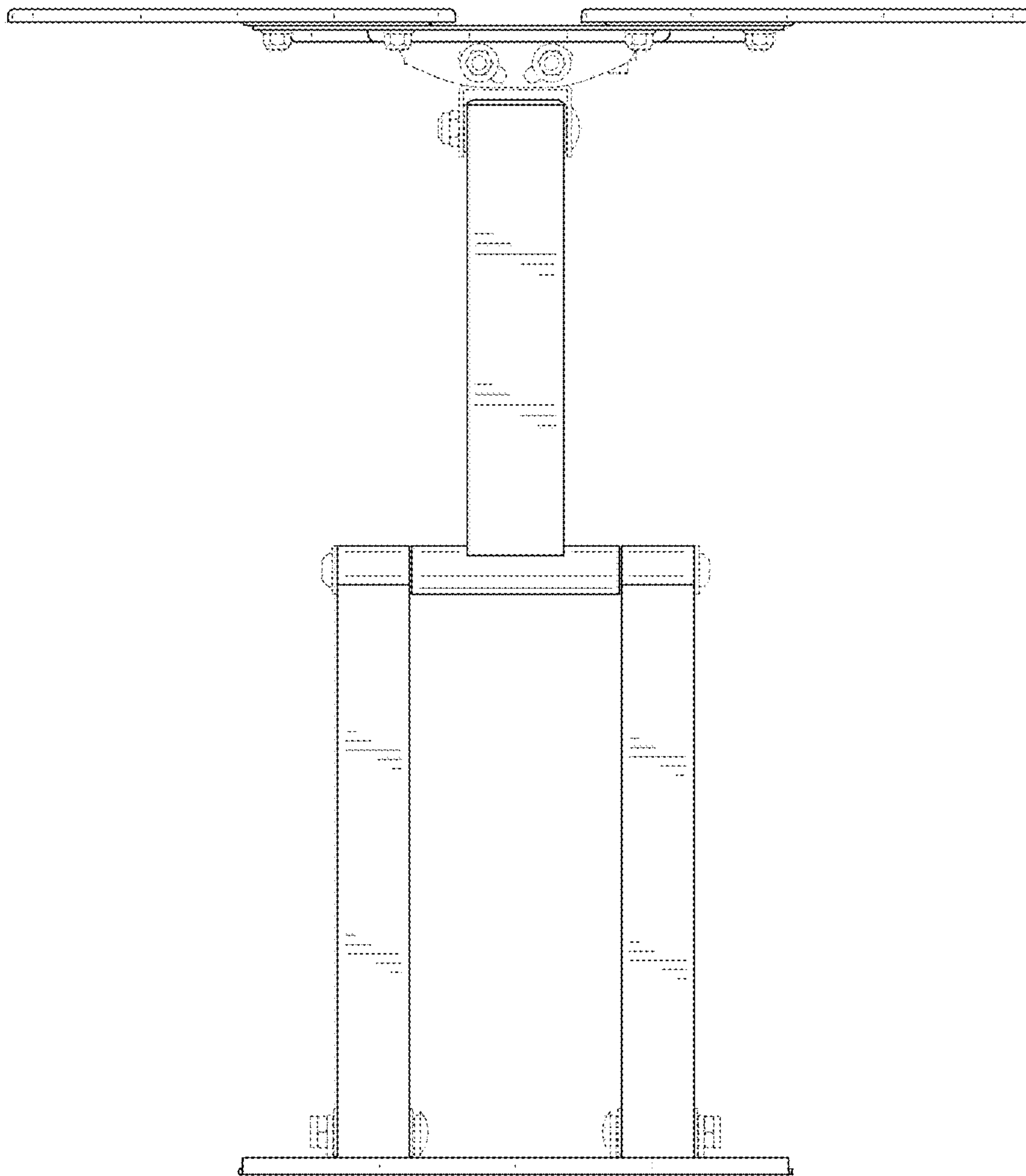


FIG. 3

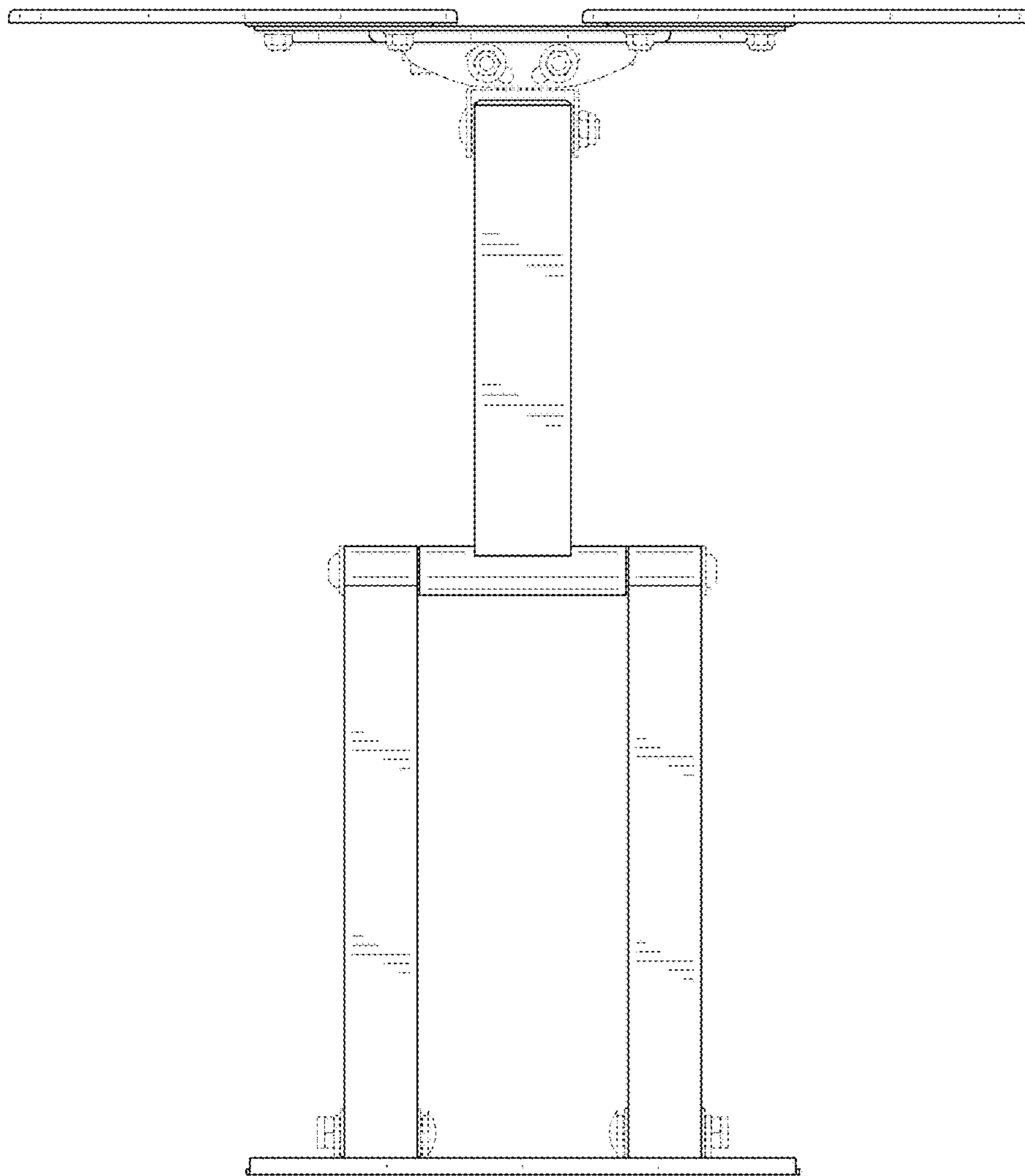


FIG. 4

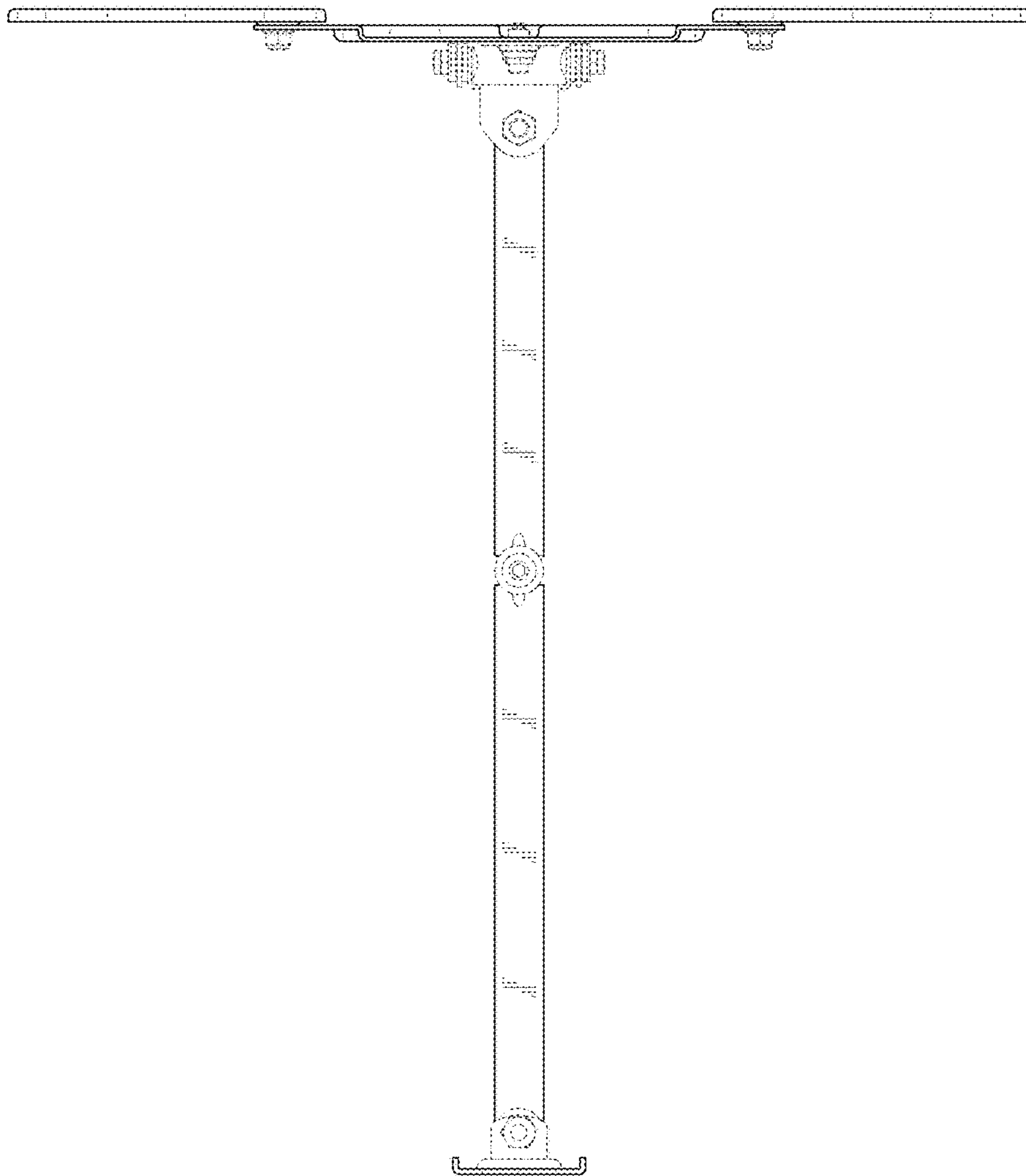


FIG. 5



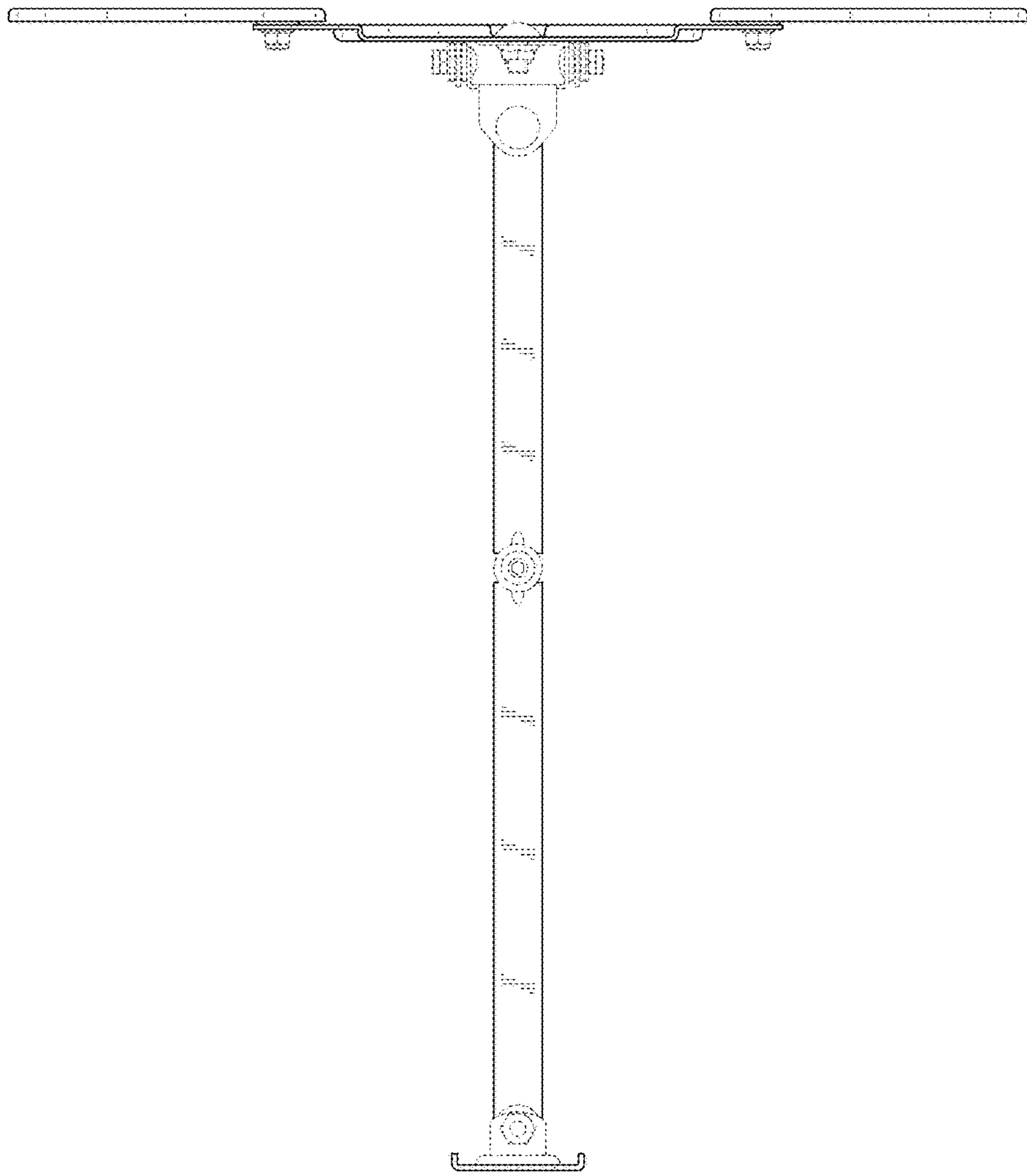


FIG. 6

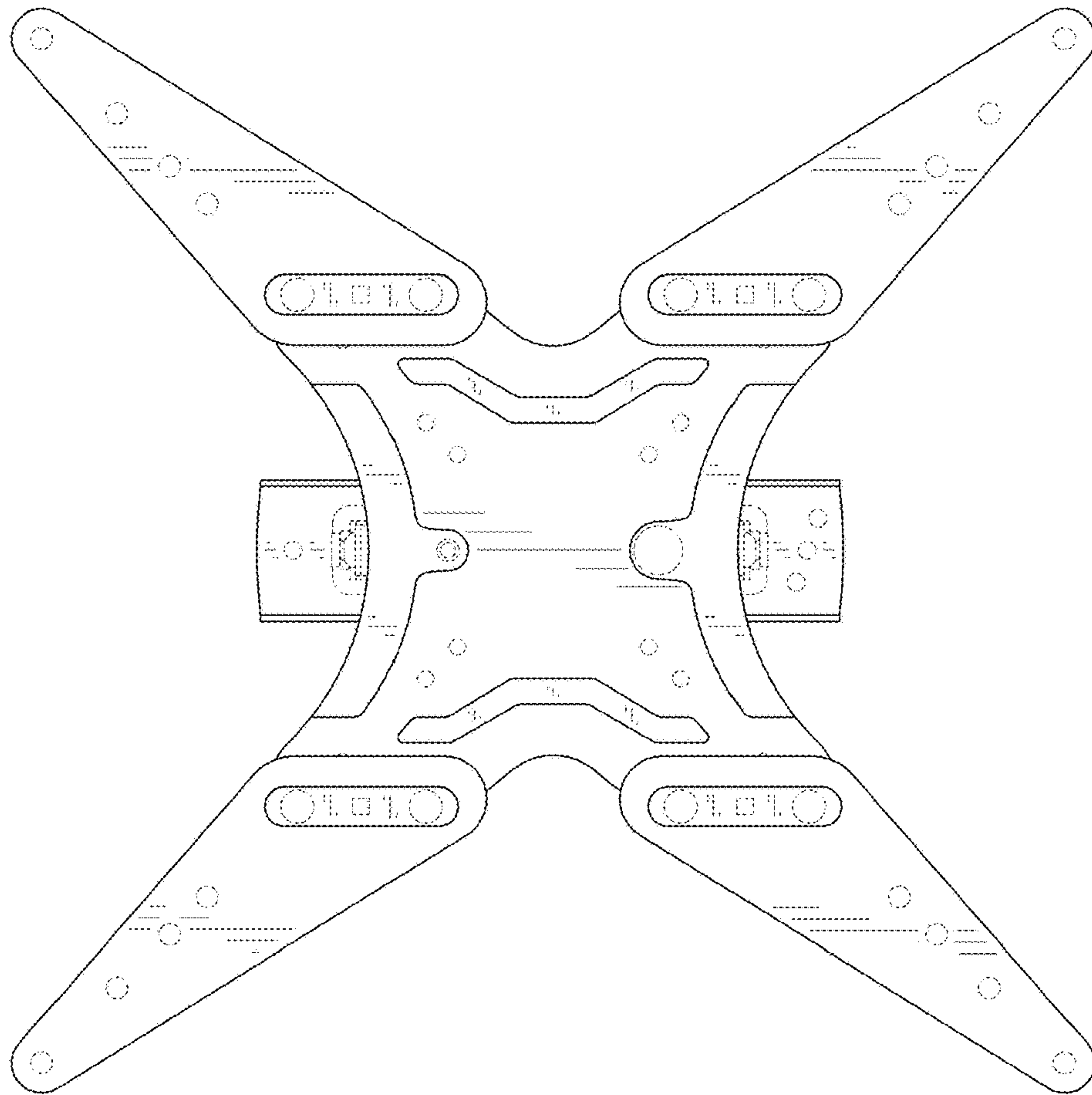


FIG. 7



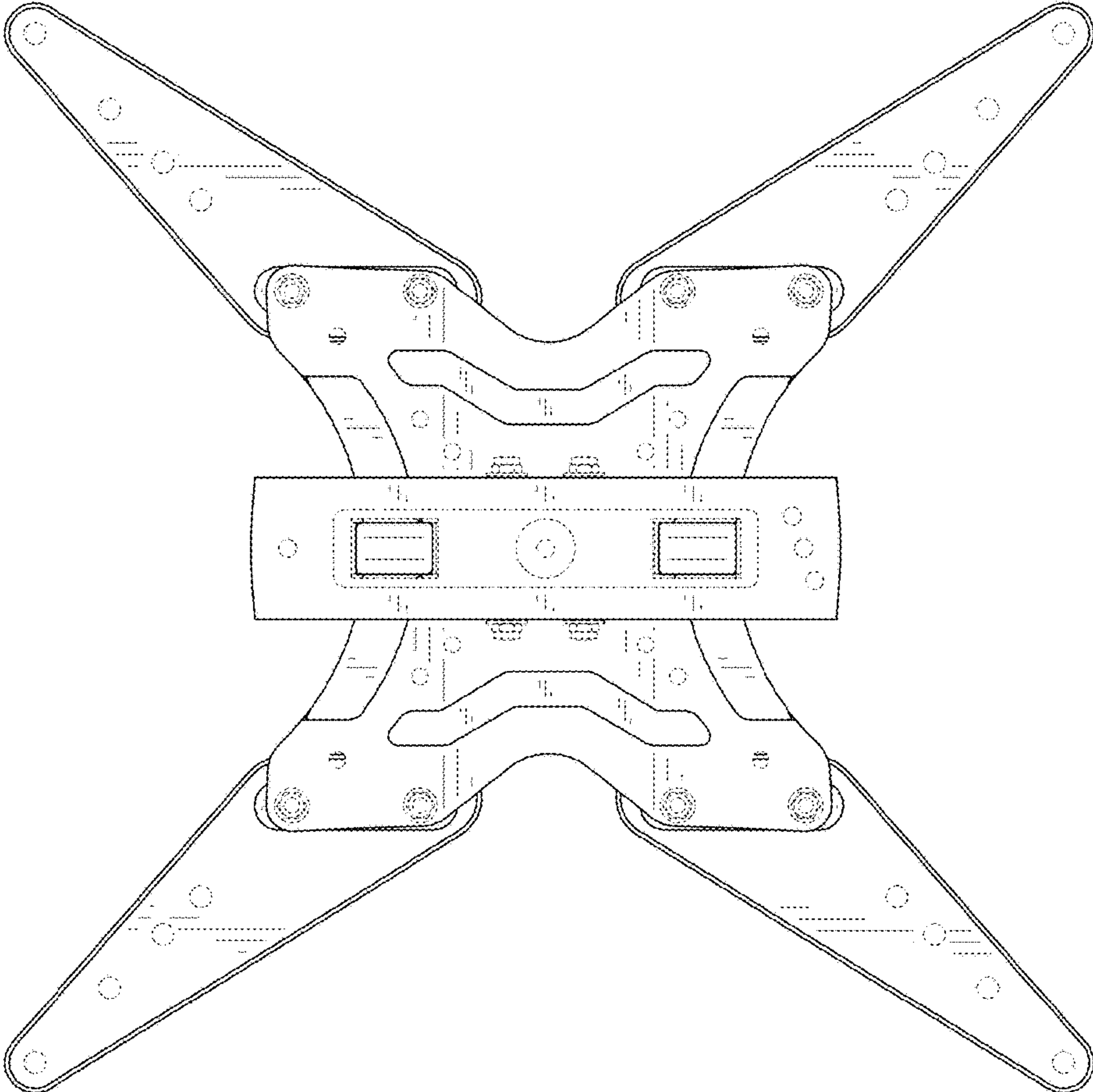


FIG. 8