



US00D852802S

(12) **United States Design Patent**
Gao

(10) **Patent No.:** **US D852,802 S**
(45) **Date of Patent:** **** Jul. 2, 2019**

(54) **TABLET COMPUTER PROTECTIVE CASING**

(71) Applicant: **Bo Gao**, Hefei (CN)

(72) Inventor: **Bo Gao**, Hefei (CN)

(**) Term: **15 Years**

(21) Appl. No.: **29/684,566**

(22) Filed: **Mar. 22, 2019**

(51) **LOC (11) Cl.** **14-02**

(52) **U.S. Cl.**
USPC **D14/440**

(58) **Field of Classification Search**
USPC 206/320; D14/440, 447, 250;
361/679.55; 294/25; 224/218
See application file for complete search history.

(56) **References Cited**

U.S. PATENT DOCUMENTS

6,726,070	B2 *	4/2004	Lautner	A44C 5/0007 224/221
D721,376	S *	1/2015	Lee	D14/440
D733,154	S	6/2015	Armstrong et al.		
D747,321	S *	1/2016	London	D14/440
D749,592	S *	2/2016	Huang	D14/440
D763,853	S	8/2016	Pearce		
D806,083	S *	12/2017	Armstrong	D14/440
D811,412	S *	2/2018	McCurdy	D14/440
D817,316	S *	5/2018	Srour	D14/251
D831,030	S	10/2018	Gao		
D831,659	S	10/2018	Gao		
D837,219	S *	1/2019	Gao	D14/440
2004/0226973	A1 *	11/2004	Kao	F16M 11/041 224/218
2007/0215512	A1 *	9/2007	Bellissimo	A47G 23/0625 206/557

2009/0219677	A1 *	9/2009	Mori	A45F 3/14 361/679.03
2011/0267748	A1 *	11/2011	Lane	A45F 5/00 361/679.01
2011/0309117	A1 *	12/2011	Roberts	A45F 5/00 224/217
2012/0091312	A1 *	4/2012	Baker	F16M 13/00 248/682
2014/0054910	A1 *	2/2014	Kim	H04B 1/385 294/158
2014/0152034	A1 *	6/2014	Tussy	F16M 13/04 294/142
2015/0009610	A1 *	1/2015	London	G06F 1/163 361/679.03

* cited by examiner

Primary Examiner — Cynthia R Underwood

(74) *Attorney, Agent, or Firm* — Zan IP LLC; Jie Yang

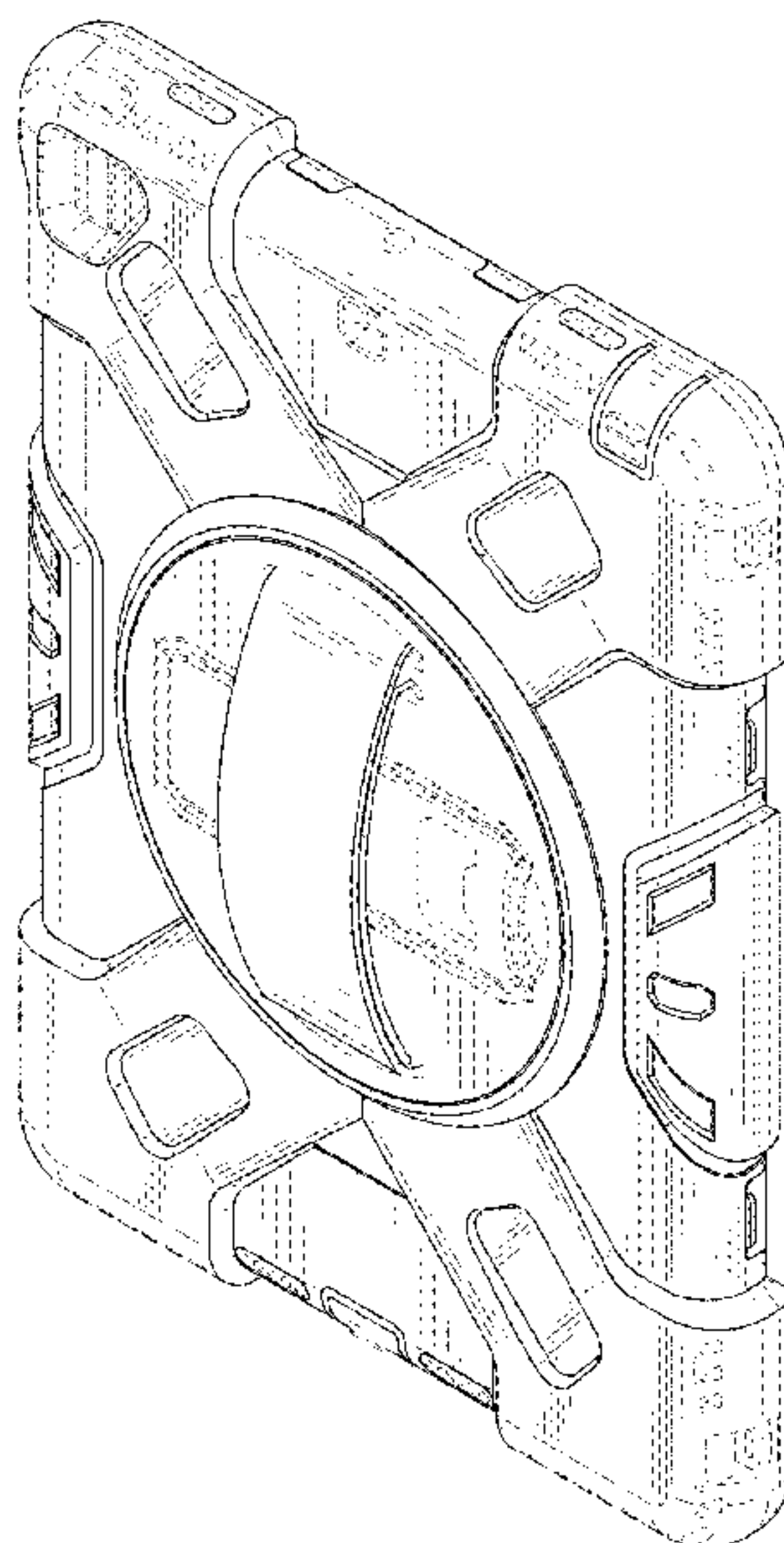
(57) **CLAIM**

The ornamental design for a tablet computer protective casing, as shown and described.

DESCRIPTION

FIG. 1 is a first perspective view of a tablet computer protective casing showing my design;
FIG. 2 is a second perspective view thereof;
FIG. 3 is a front view thereof;
FIG. 4 is a back view thereof;
FIG. 5 is a left side view thereof;
FIG. 6 is a right side view thereof;
FIG. 7 is a top view thereof; and,
FIG. 8 is a bottom view thereof.
The broken lines shown in the drawings depict portions of the tablet computer protective casing in which the design is embodied that form no part of the claimed design.

1 Claim, 8 Drawing Sheets



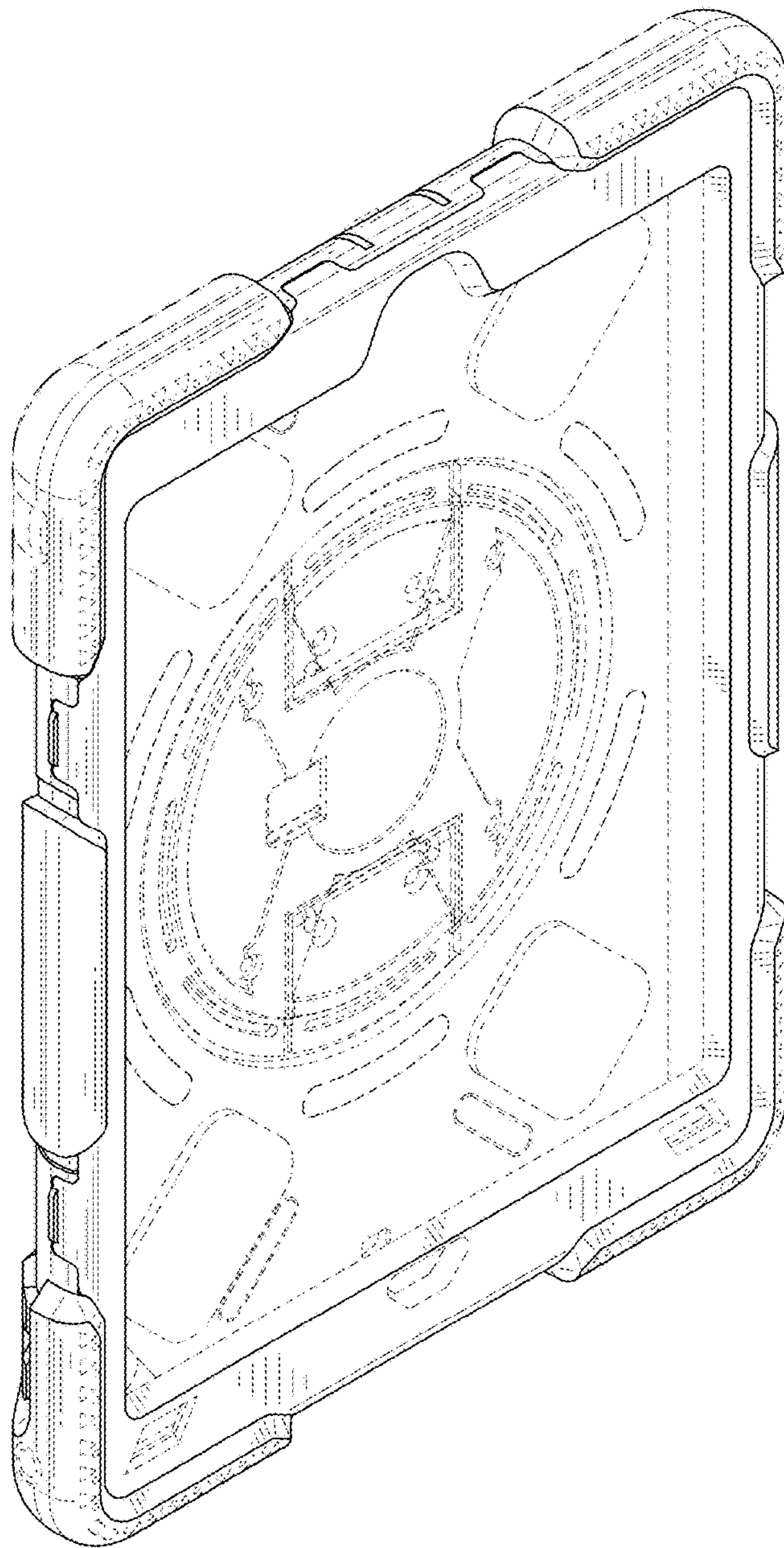


FIG. 1

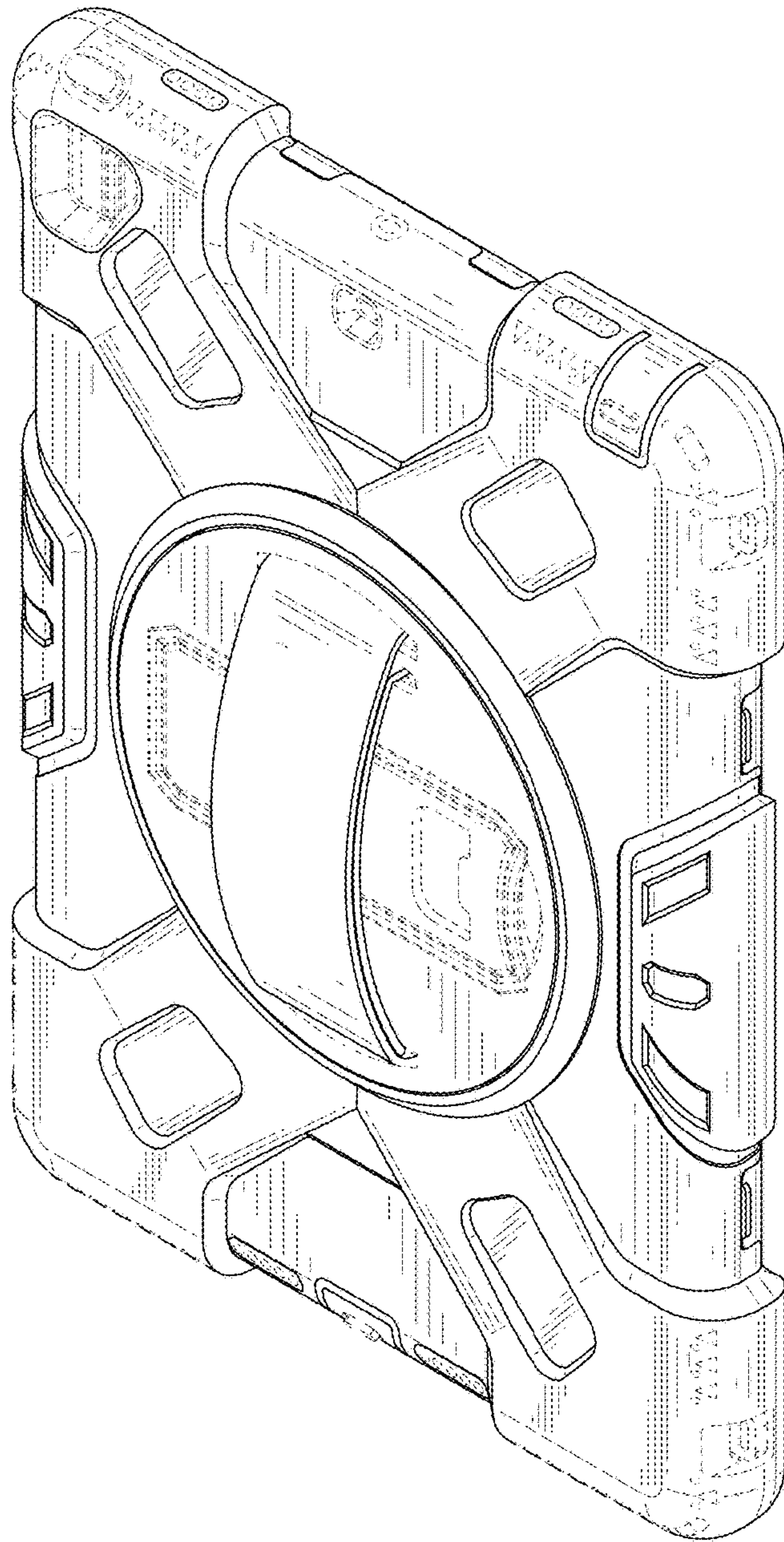


FIG. 2

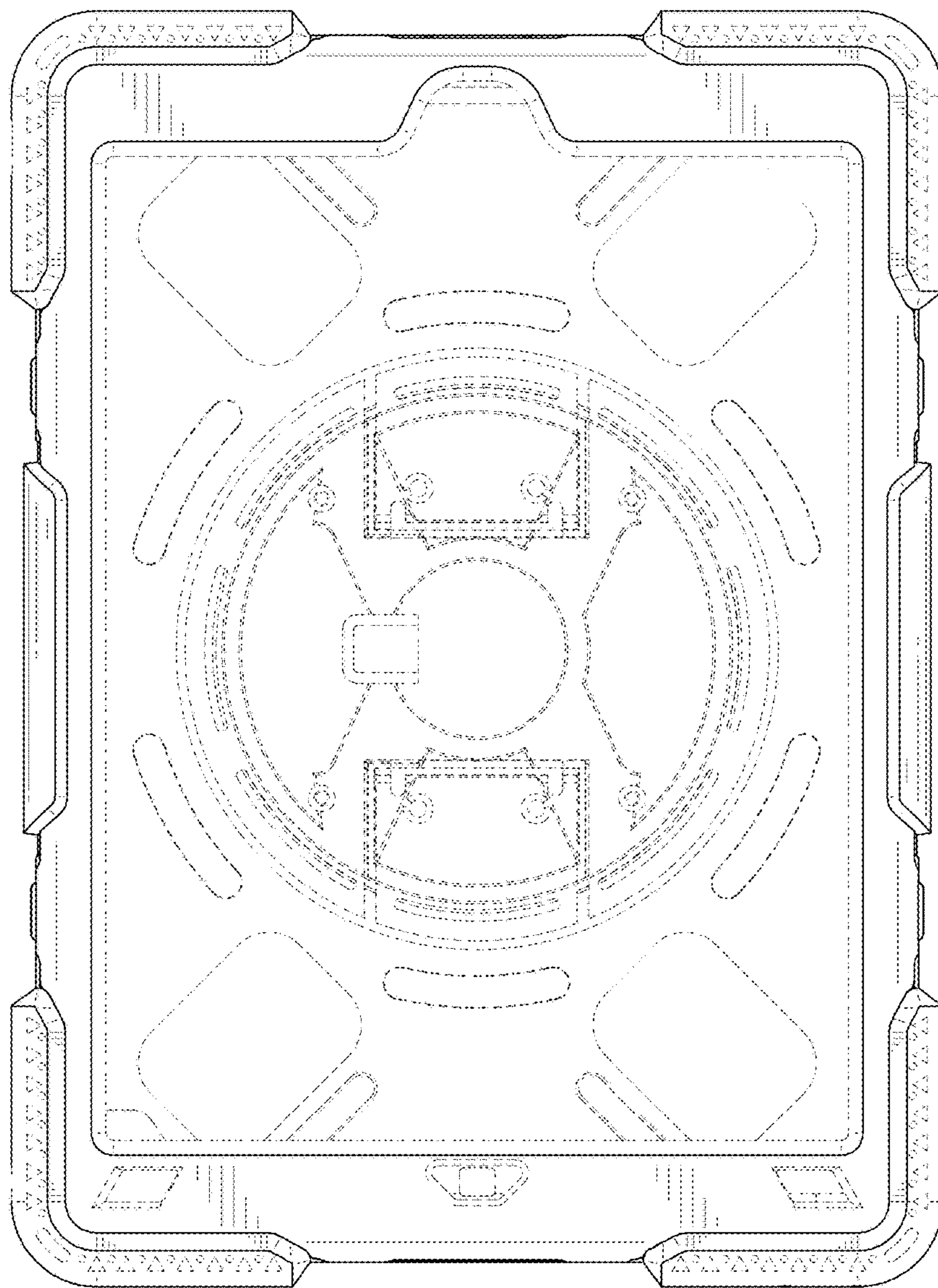


FIG. 3

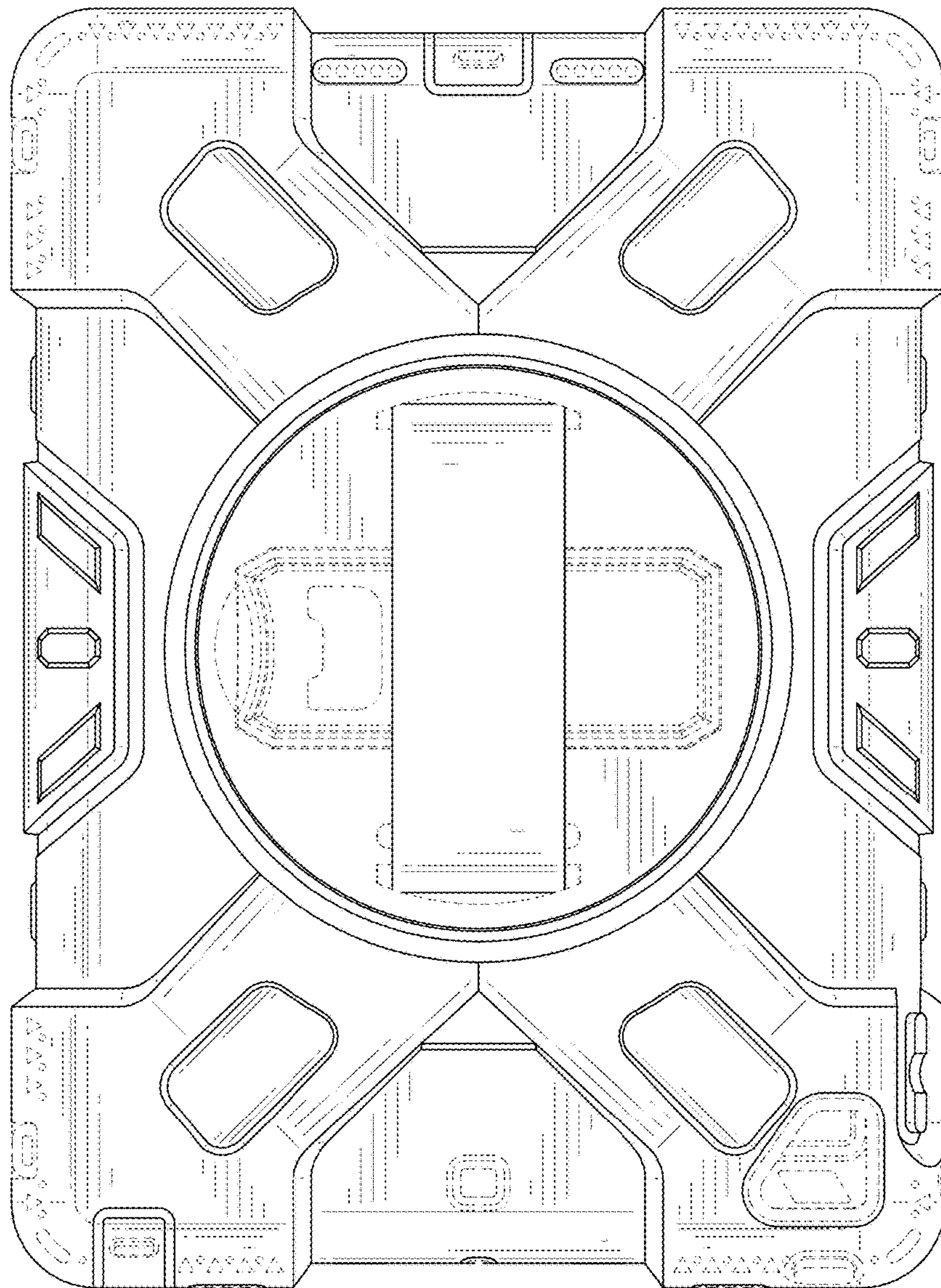


FIG. 4

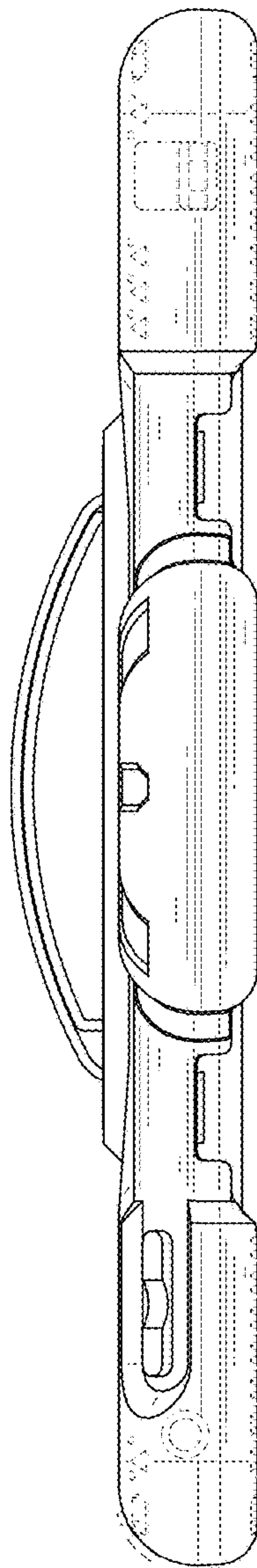


FIG. 5

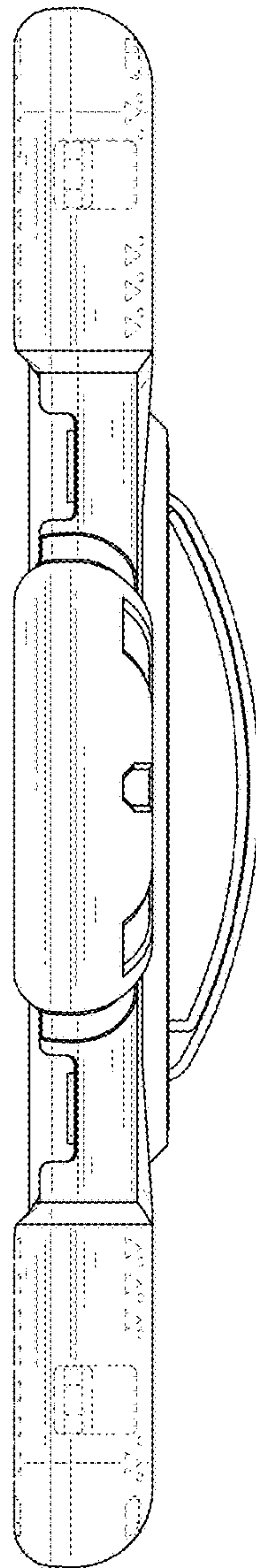


FIG. 6

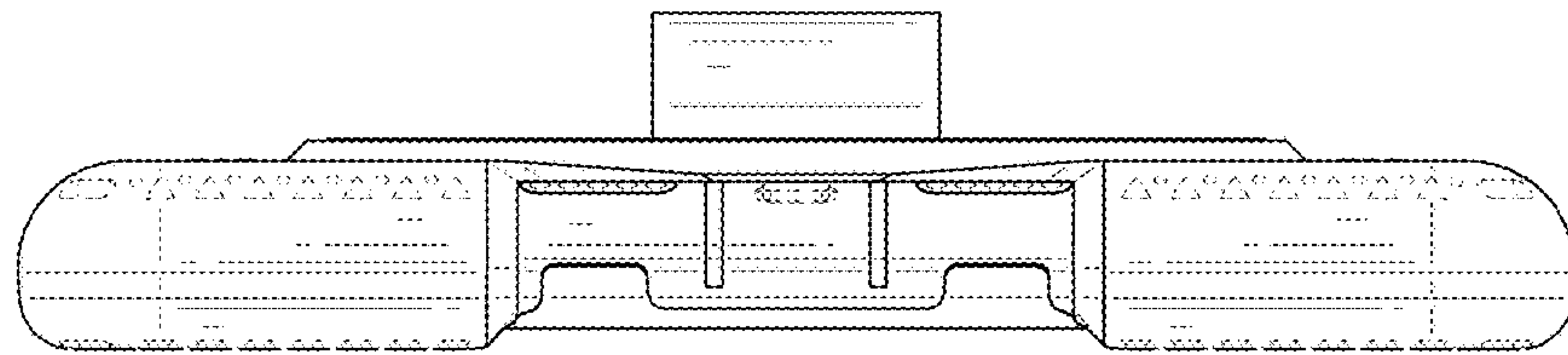


FIG. 7

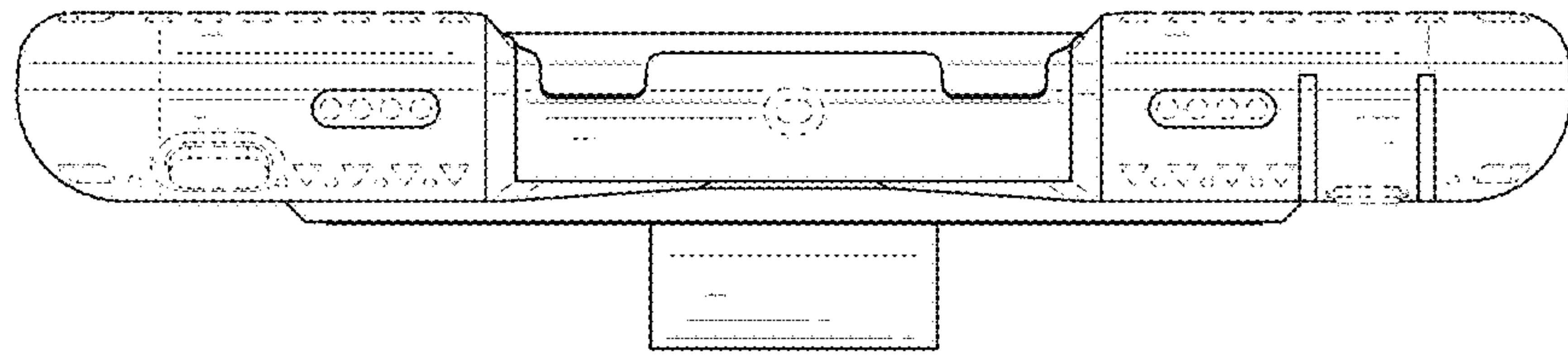


FIG. 8