



US00D852801S

(12) **United States Design Patent** (10) **Patent No.:** **US D852,801 S**
Dukerschein et al. (45) **Date of Patent:** **** Jul. 2, 2019**

(54) **DEVICE CASE**

(71) Applicant: **Tangible Play, Inc.**, Palo Alto, CA (US)

(72) Inventors: **Jon Karl Dukerschein**, Pacifica, CA (US); **Mark Solomon**, San Jose, CA (US)

(73) Assignee: **Tangible Play, Inc.**, Palo Alto, CA (US)

(**) Term: **15 Years**

(21) Appl. No.: **29/669,408**

(22) Filed: **Nov. 7, 2018**

(51) **LOC (11) Cl.** **14-02**

(52) **U.S. Cl.**
USPC **D14/440**

(58) **Field of Classification Search**
USPC D14/440, 250, 447; 206/45.23, 320, 206/45.2; 361/679.55; 294/25; 224/218
CPC ... G06F 1/1628; G06F 1/1626; A47B 23/044; H04B 1/3888
See application file for complete search history.

(56) **References Cited**

U.S. PATENT DOCUMENTS

D704,693 S *	5/2014	Kim	D14/250
D733,714 S *	7/2015	Ballou	D14/440
D810,088 S *	2/2018	Moore	D14/440
D812,622 S *	3/2018	Moon	D14/440
D827,651 S *	9/2018	Brown	D14/440
D839,275 S *	1/2019	Moore	D14/440
2012/0043235 A1 *	2/2012	Klement	A45C 11/00 206/320

* cited by examiner

Primary Examiner — Cynthia R Underwood

(74) *Attorney, Agent, or Firm* — Patent Law Works LLP

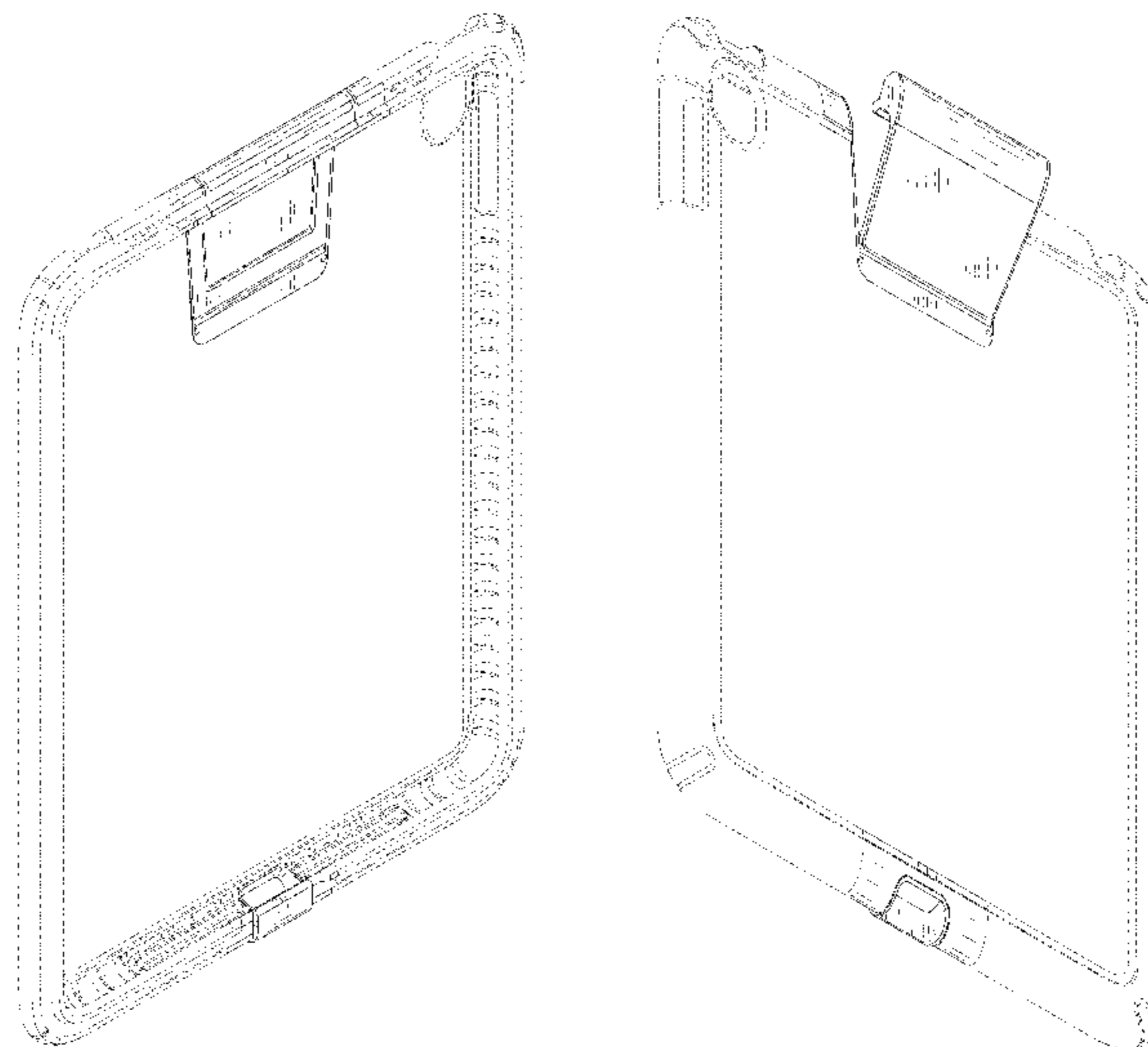
(57) **CLAIM**

The ornamental design for a device case, as shown and described.

DESCRIPTION

FIG. 1 is a front, left perspective view of a device case according to a first embodiment.
 FIG. 2 is a bottom, rear perspective view thereof.
 FIG. 3 is a top view thereof.
 FIG. 4 is a bottom view thereof.
 FIG. 5 is a left side view thereof.
 FIG. 6 is a right side view thereof.
 FIG. 7 is a front view thereof.
 FIG. 8 is a rear view thereof.
 FIG. 9 is a front, left perspective view of the device case according to a second embodiment.
 FIG. 10 is a bottom, rear perspective view thereof.
 FIG. 11 is a top view thereof.
 FIG. 12 is a bottom view thereof.
 FIG. 13 is a left side view thereof.
 FIG. 14 is a right side view thereof.
 FIG. 15 is a front view thereof.
 FIG. 16 is a rear view thereof.
 FIG. 17 is a front, left perspective view of the device case according to the second embodiment and depicting a first disclaimed context.
 FIG. 18 is a bottom, rear perspective view thereof.
 FIG. 19 is a top view thereof.
 FIG. 20 is a bottom view thereof.
 FIG. 21 is a left side view thereof.
 FIG. 22 is a right side view thereof.
 FIG. 23 is a front view thereof.
 FIG. 24 is a rear view thereof.
 FIG. 25 is a front, left perspective view depicting a third embodiment and a second disclaimed context; and,
 FIG. 26 is a bottom, rear perspective view thereof.
 Within the drawings, the broken lines show unclaimed portions of the device case, and form no part of the claimed design.

1 Claim, 21 Drawing Sheets



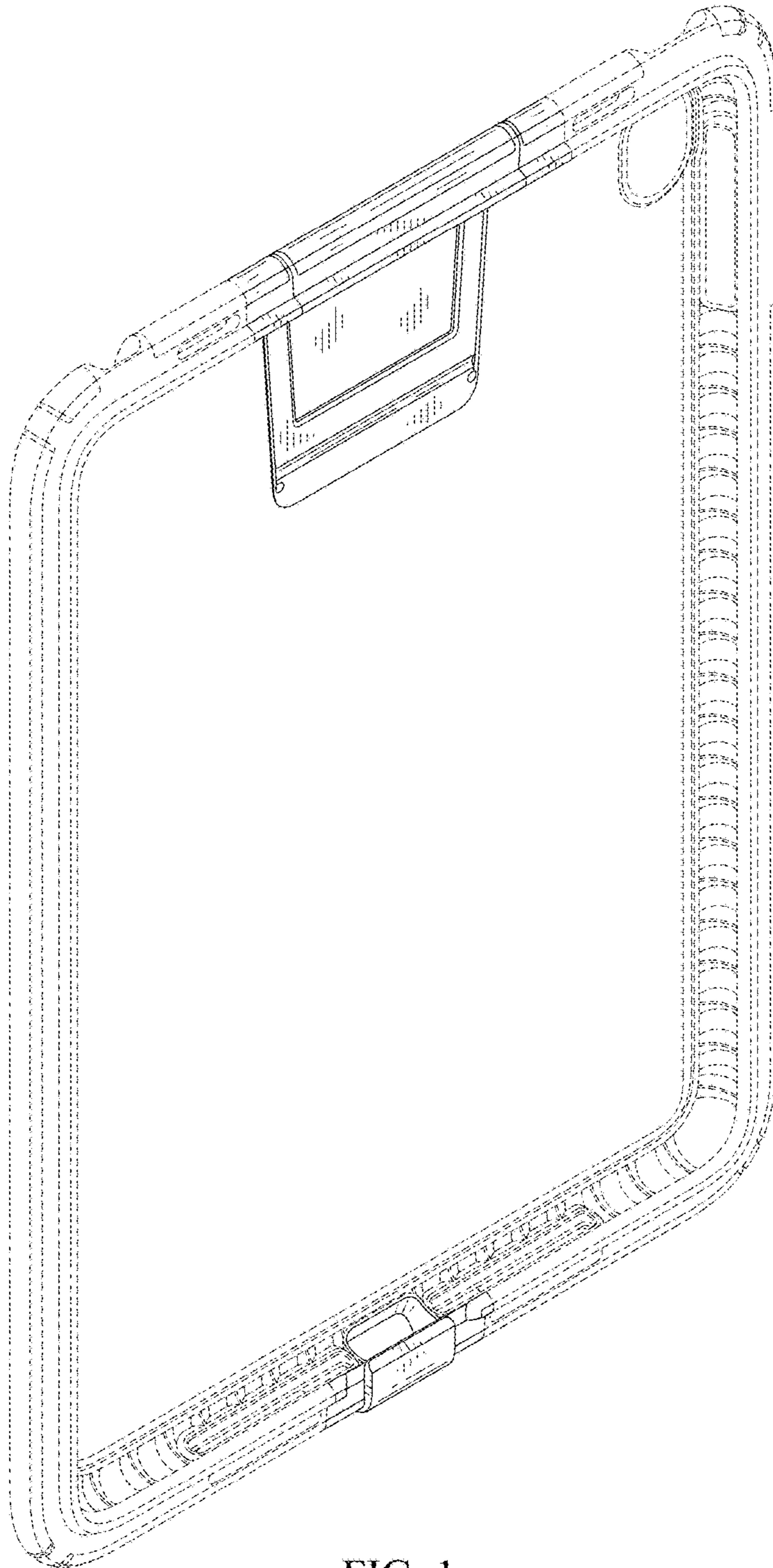


FIG. 1

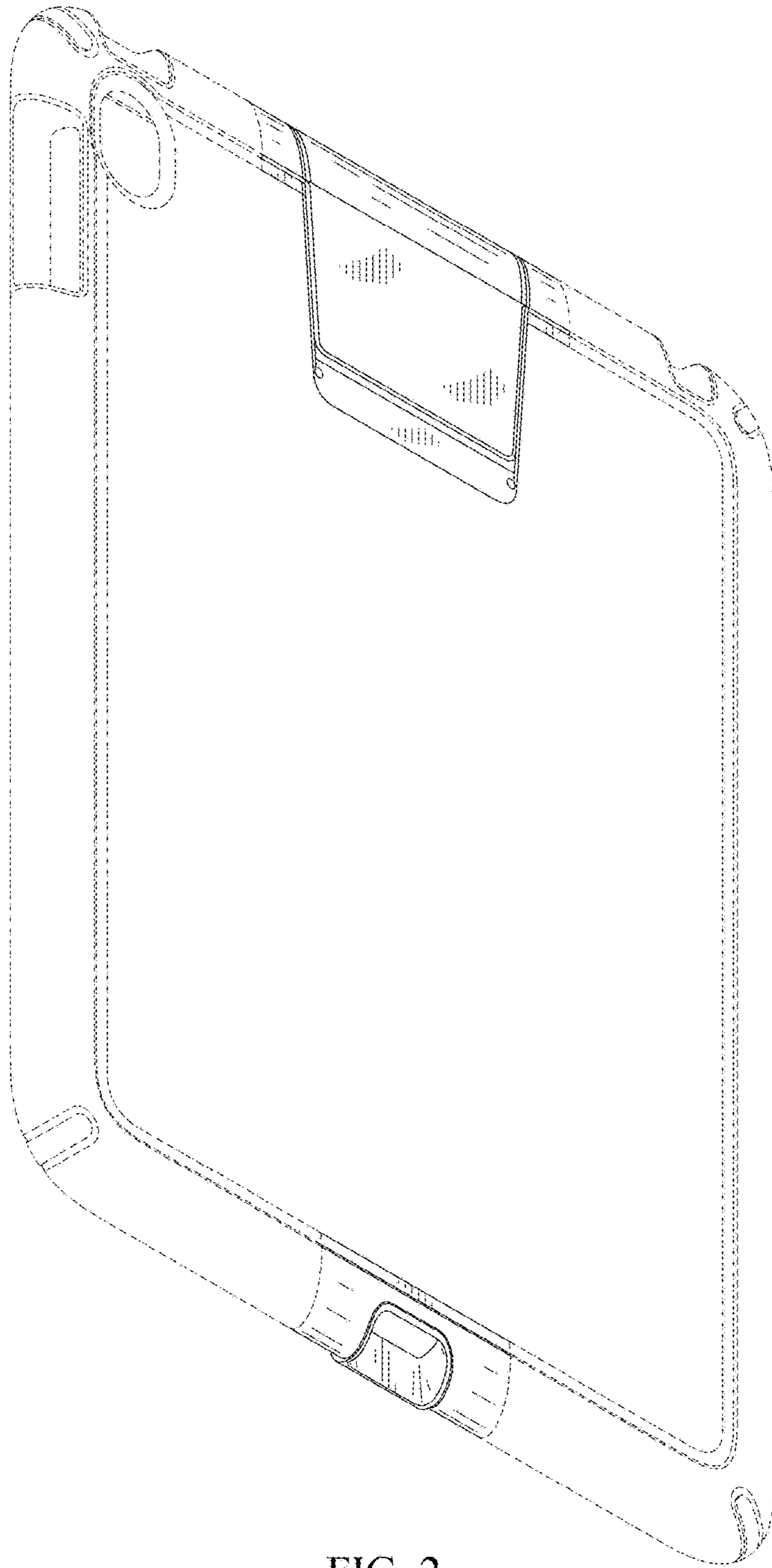


FIG. 2

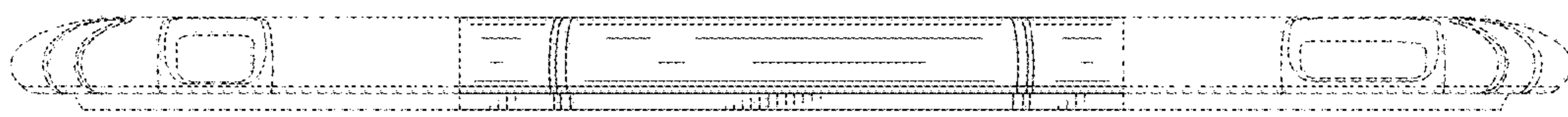


FIG. 3

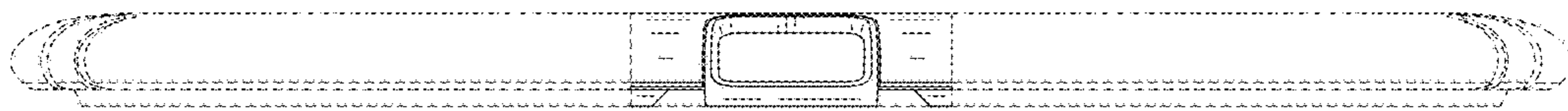


FIG. 4

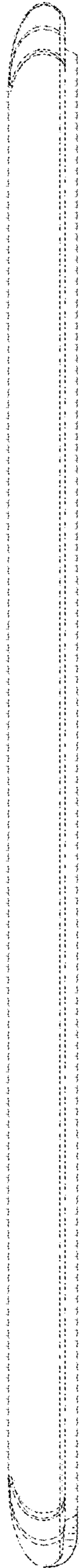


FIG. 5

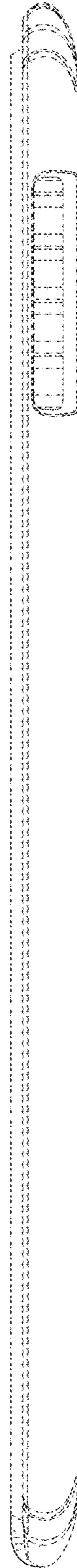


FIG. 6

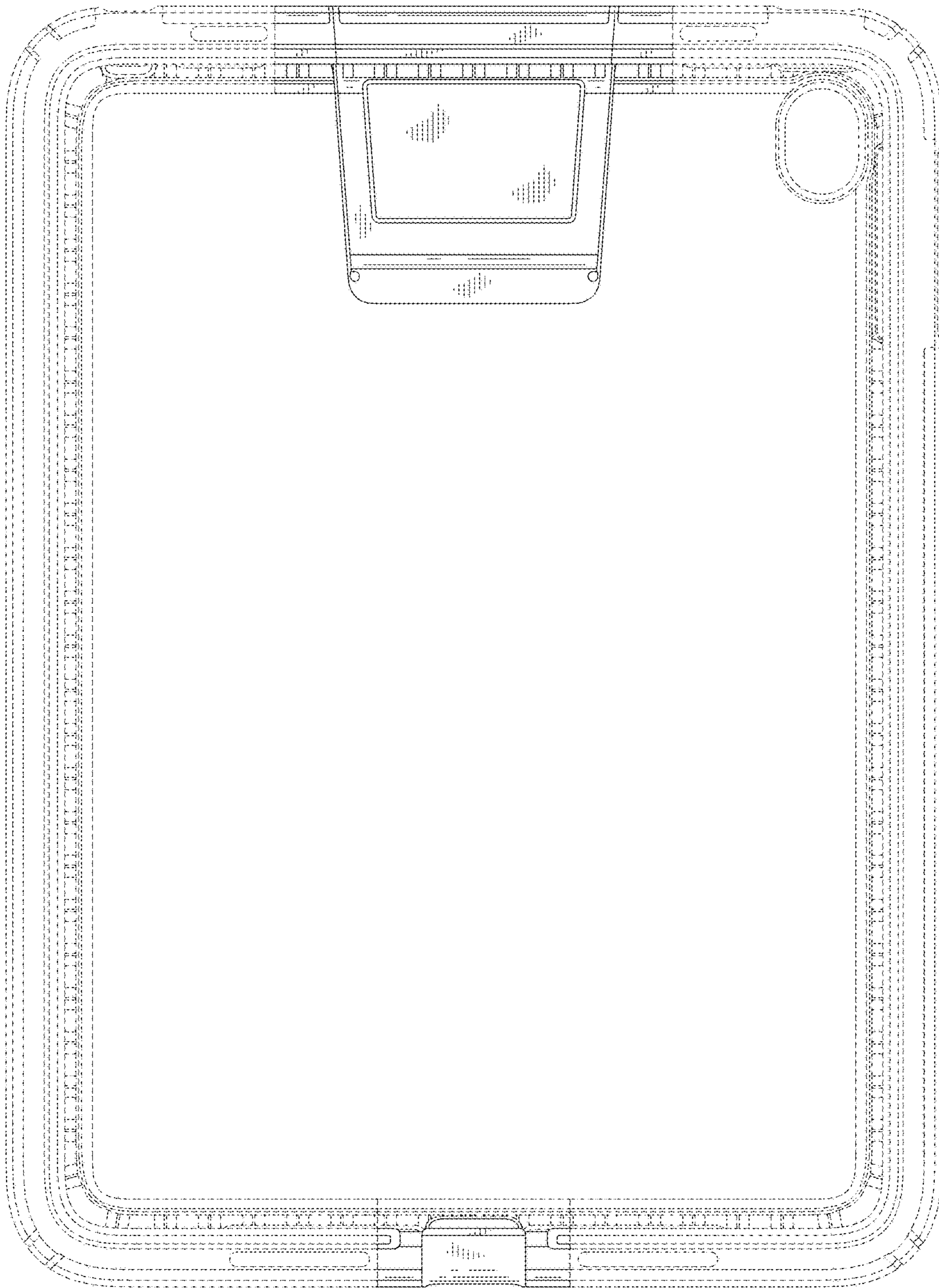


FIG. 7

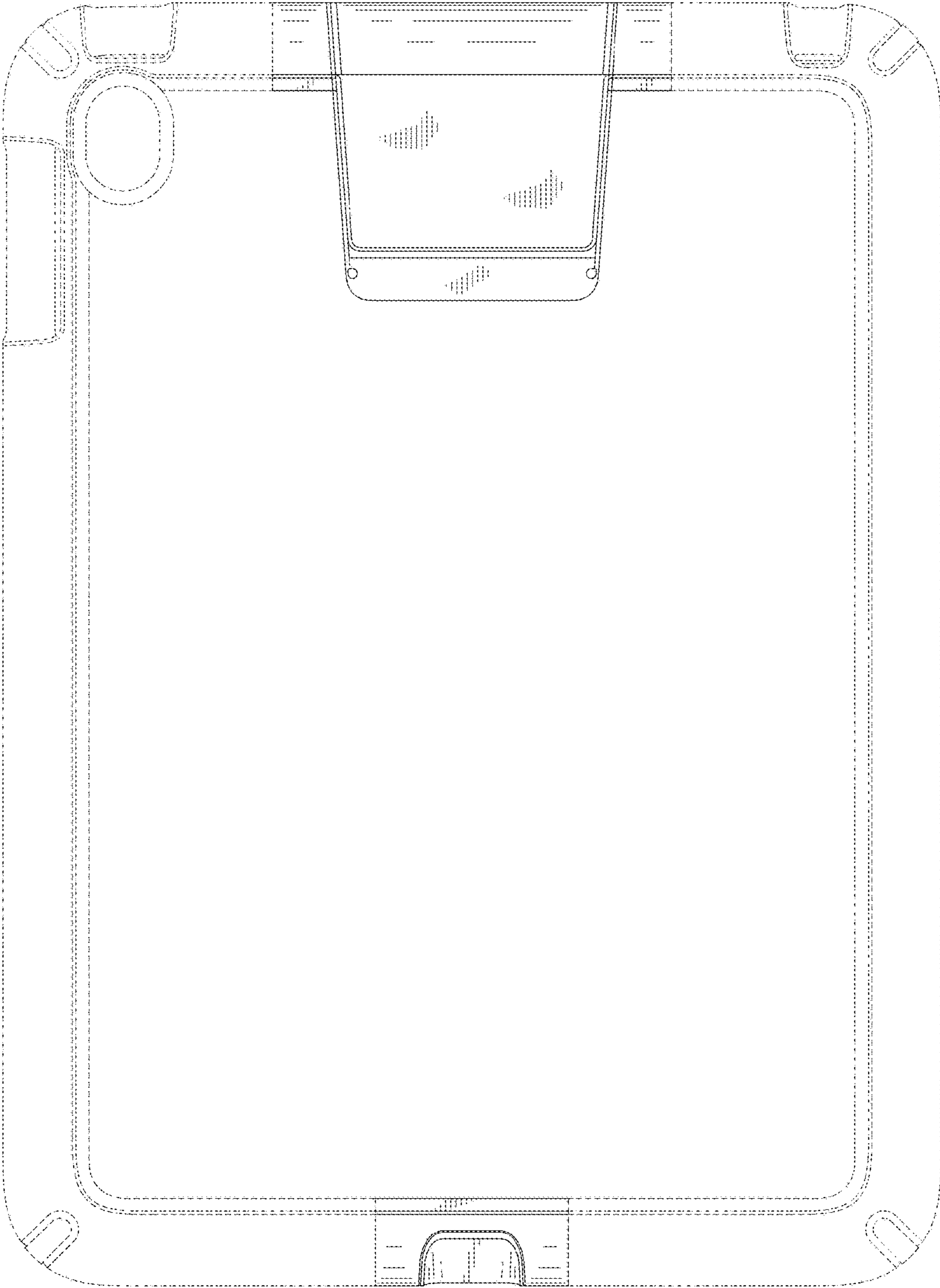


FIG. 8

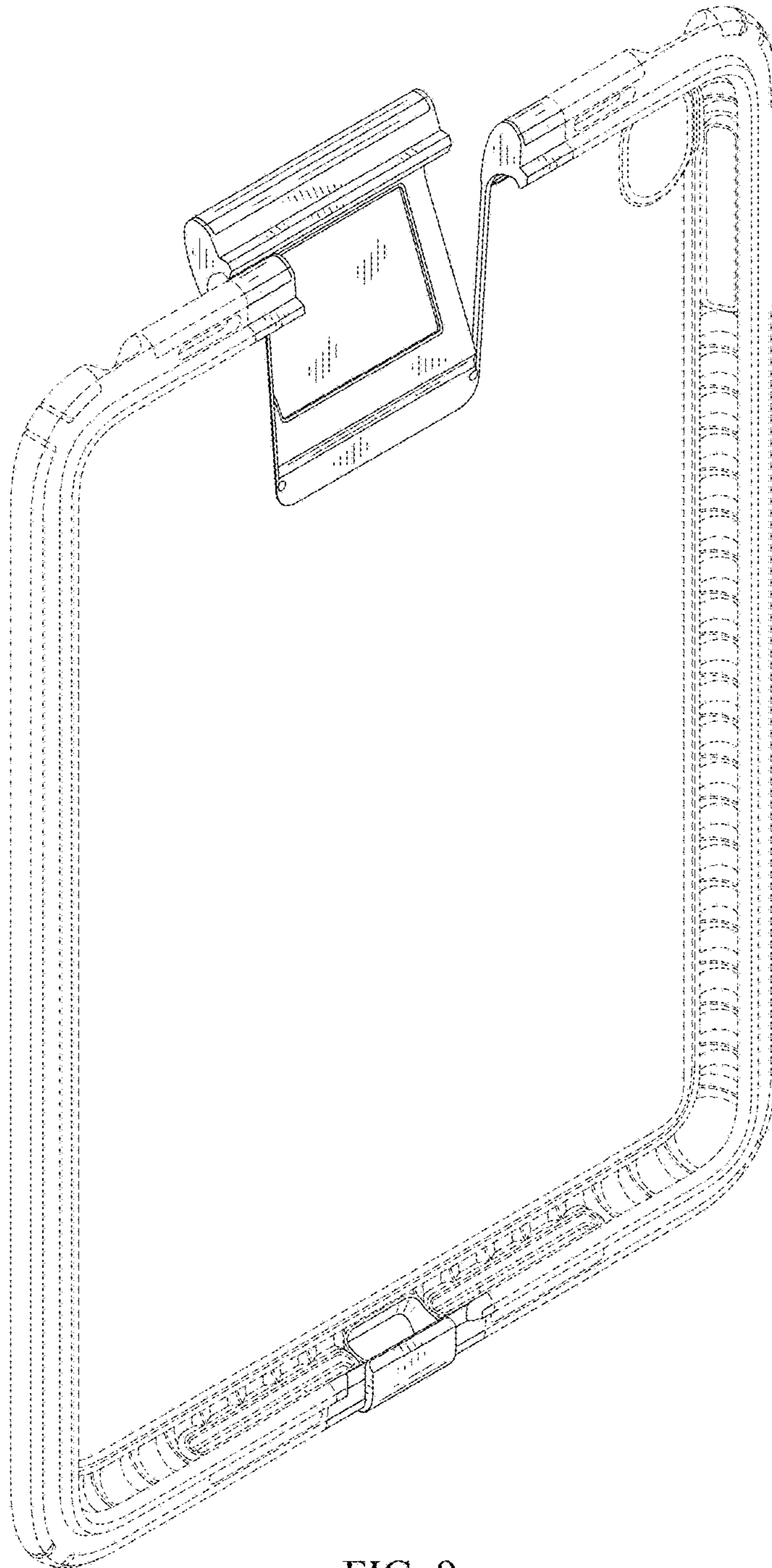


FIG. 9

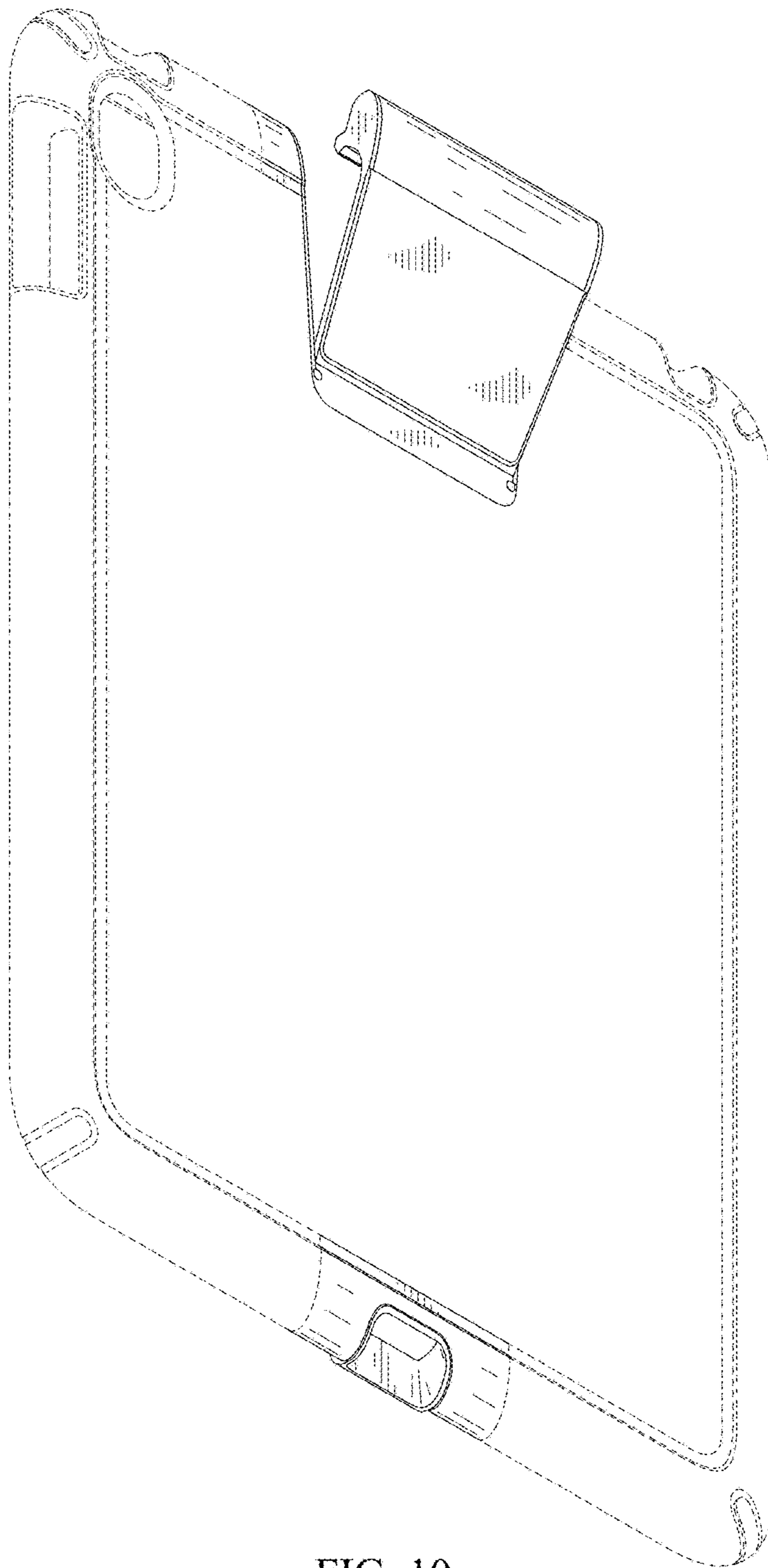


FIG. 10

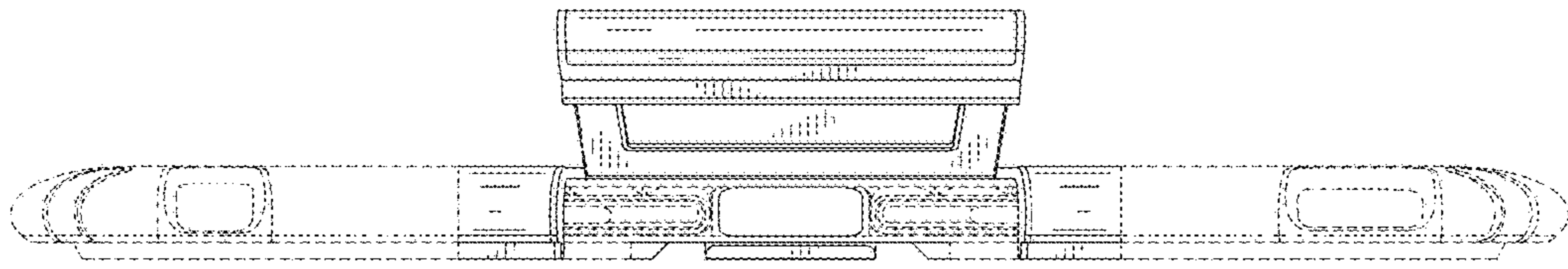


FIG. 11

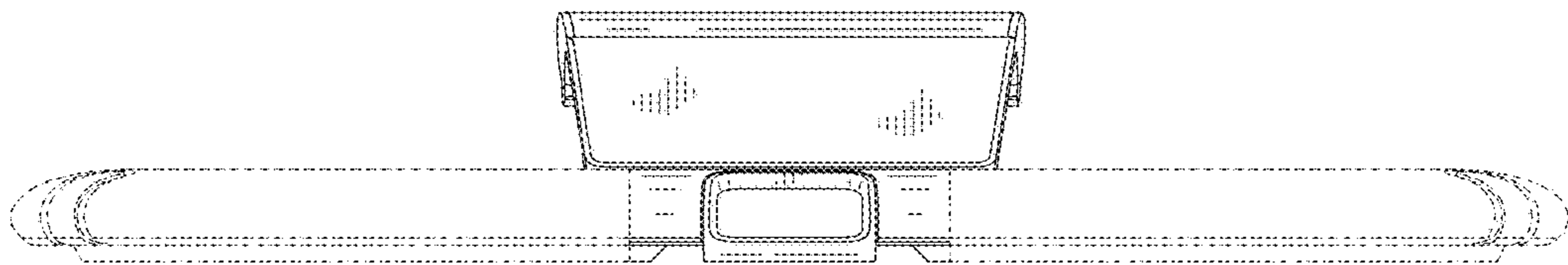


FIG. 12

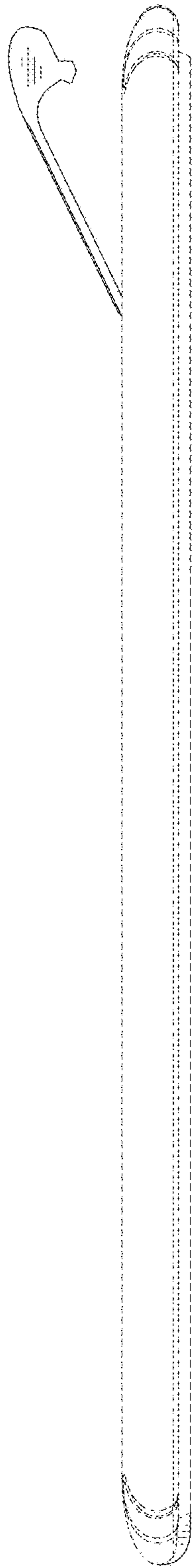


FIG. 13

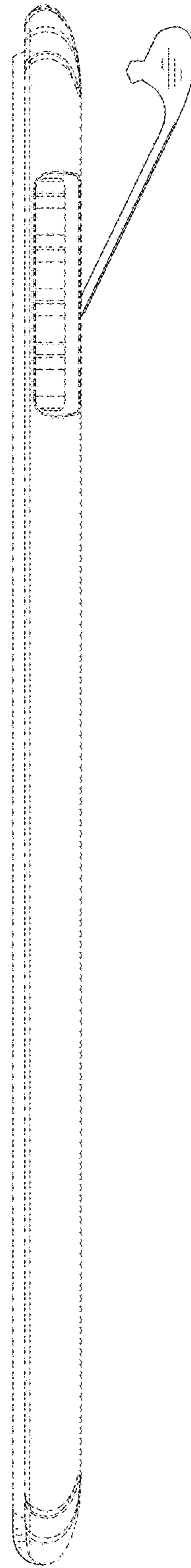


FIG. 14

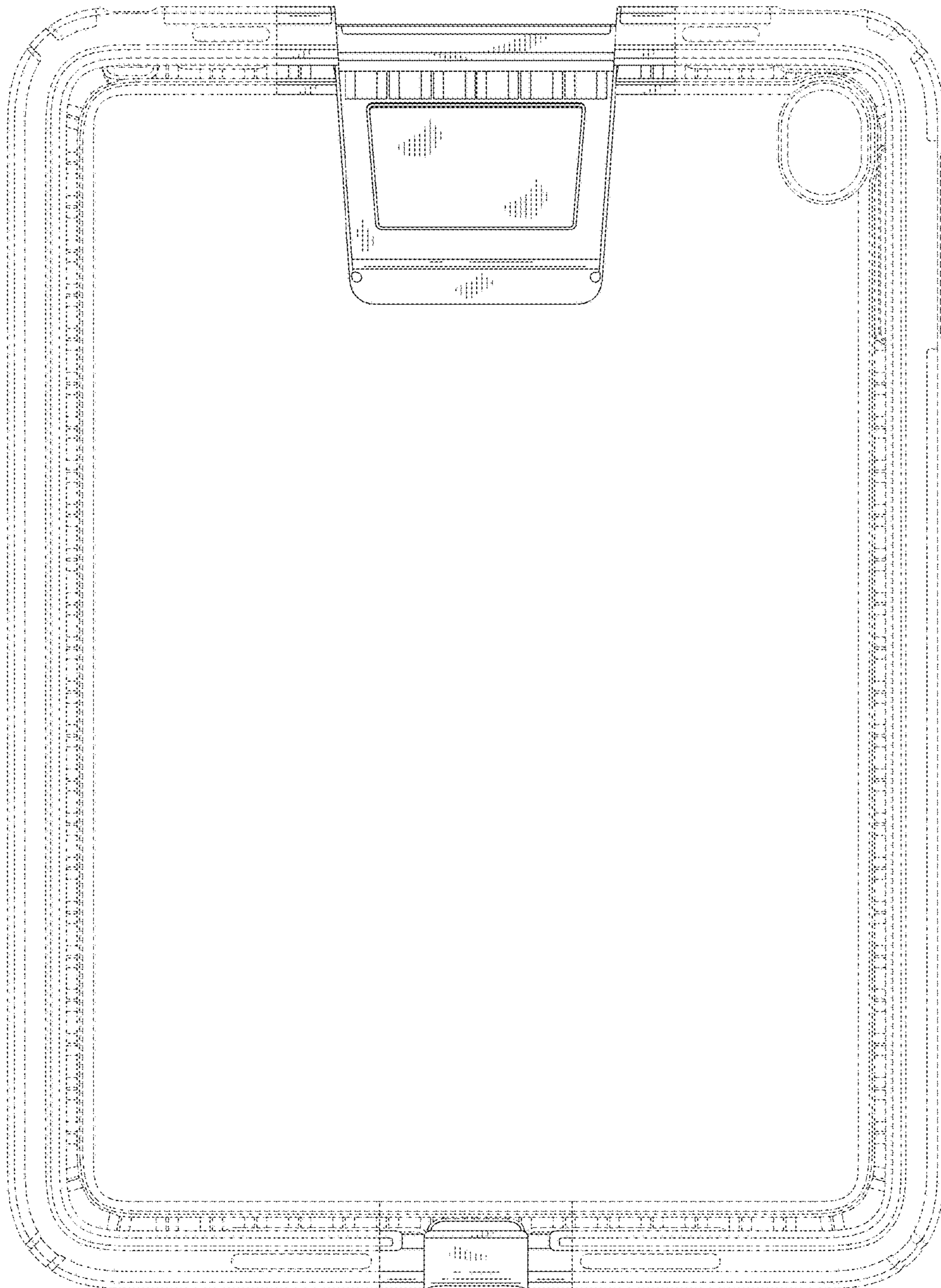


FIG. 15

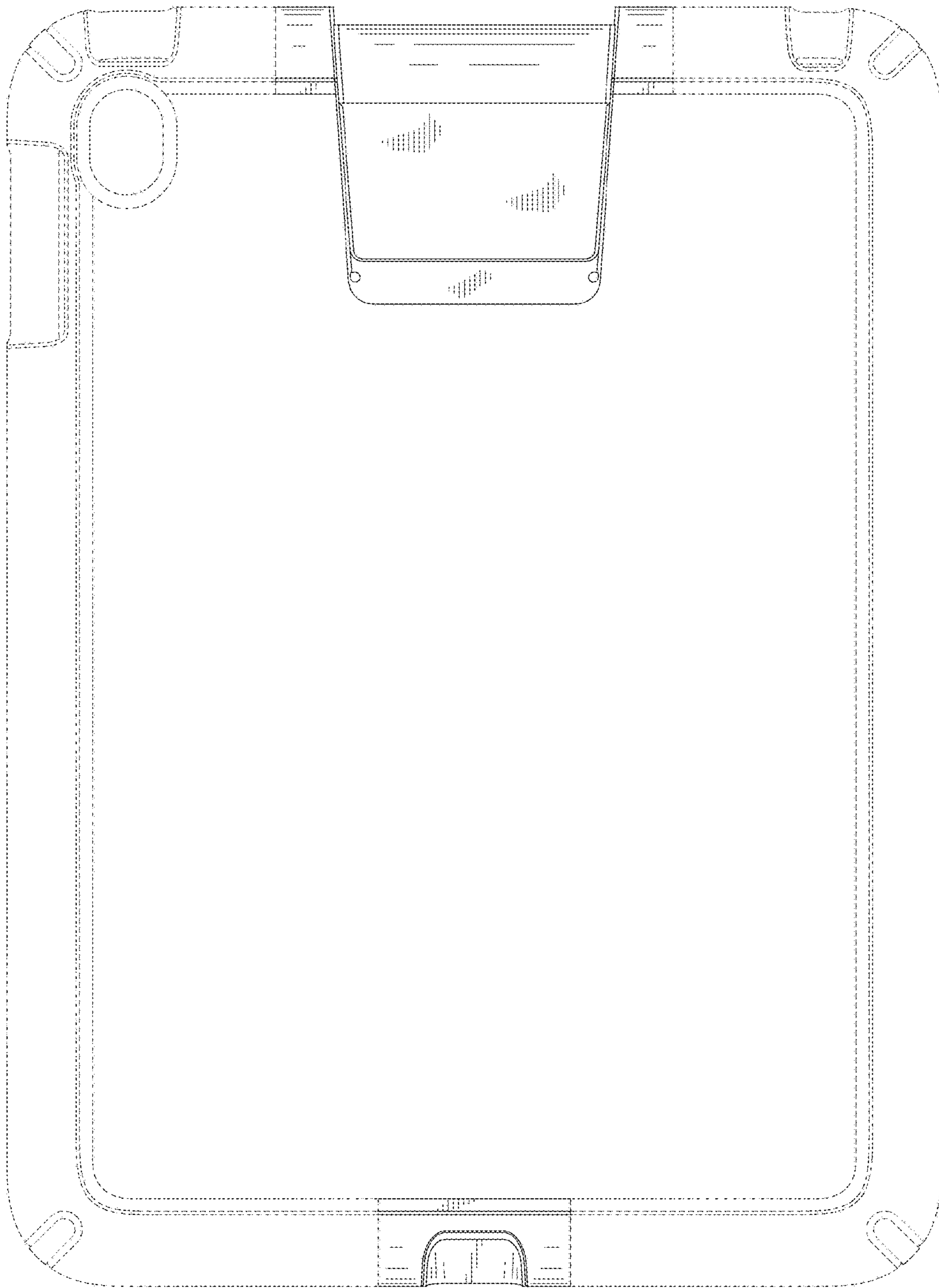


FIG. 16

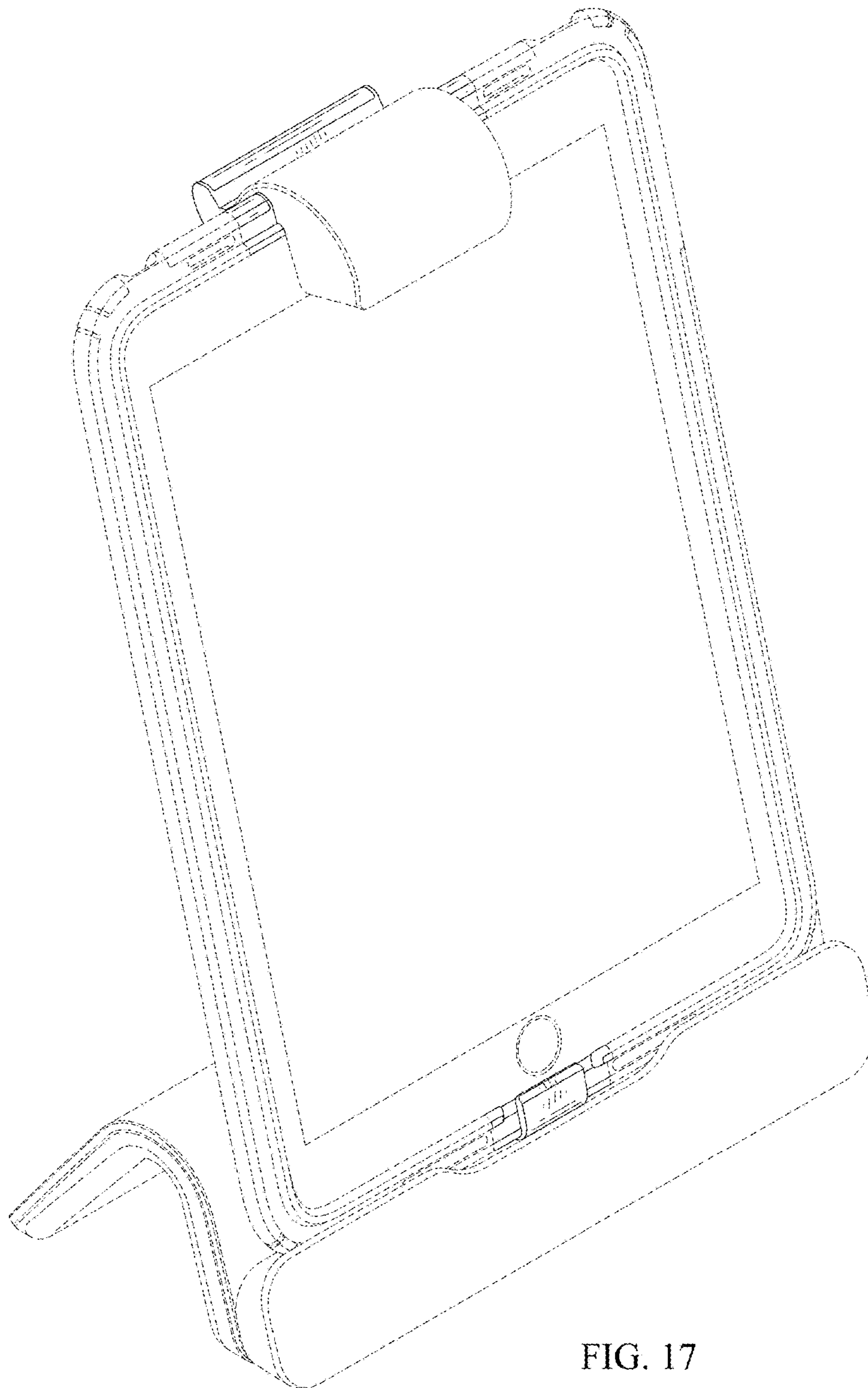


FIG. 17

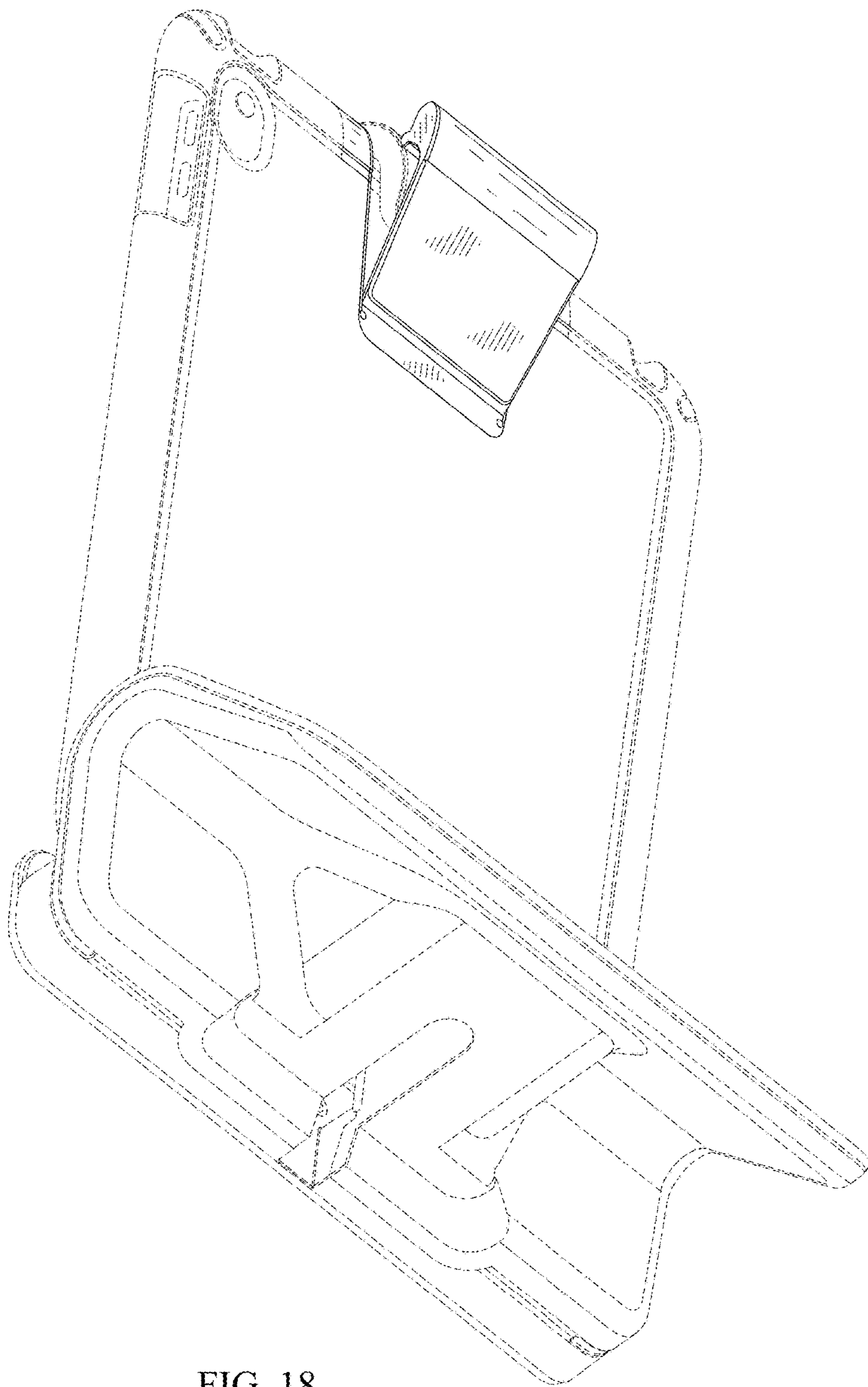


FIG. 18

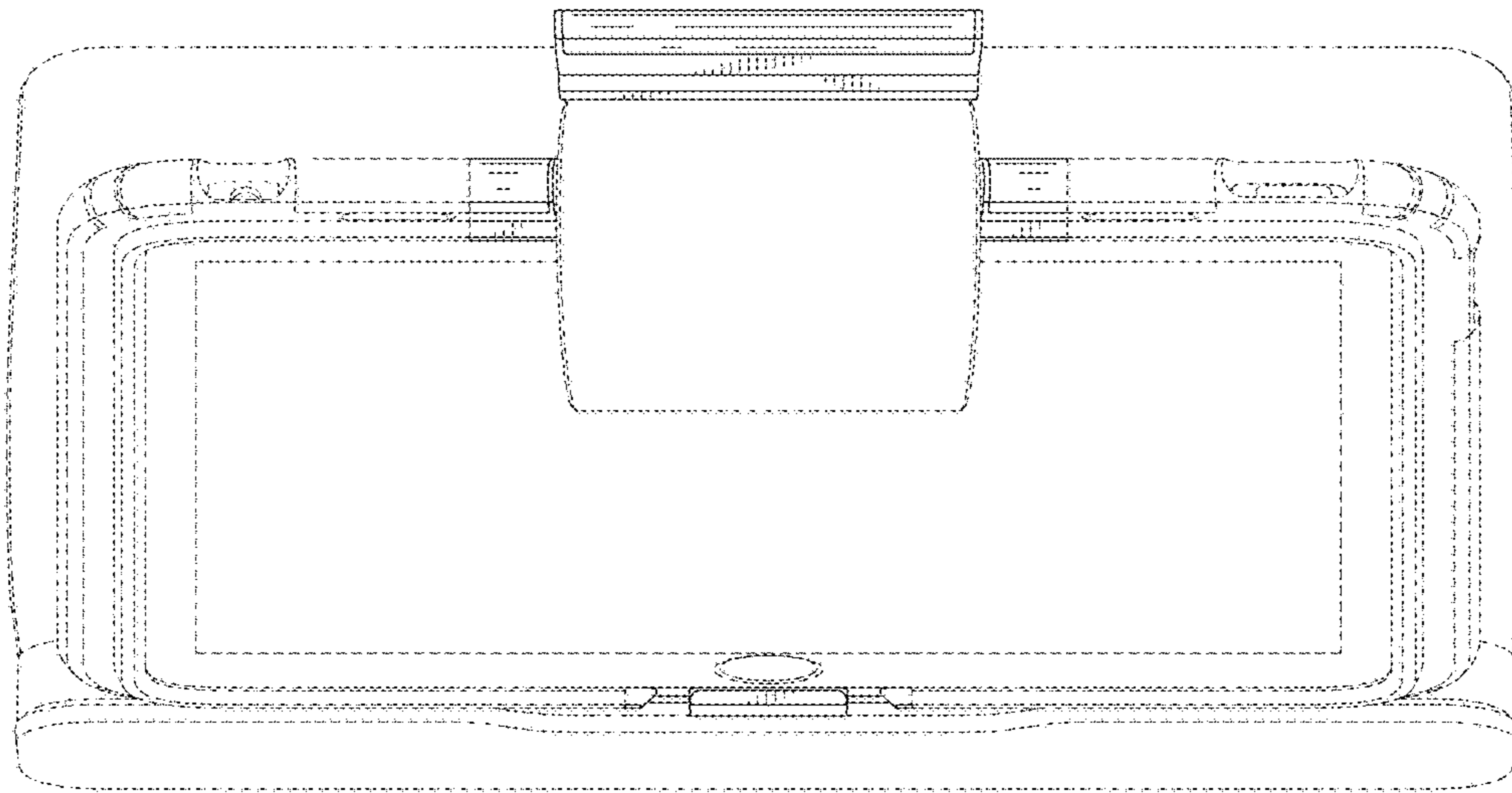


FIG. 19

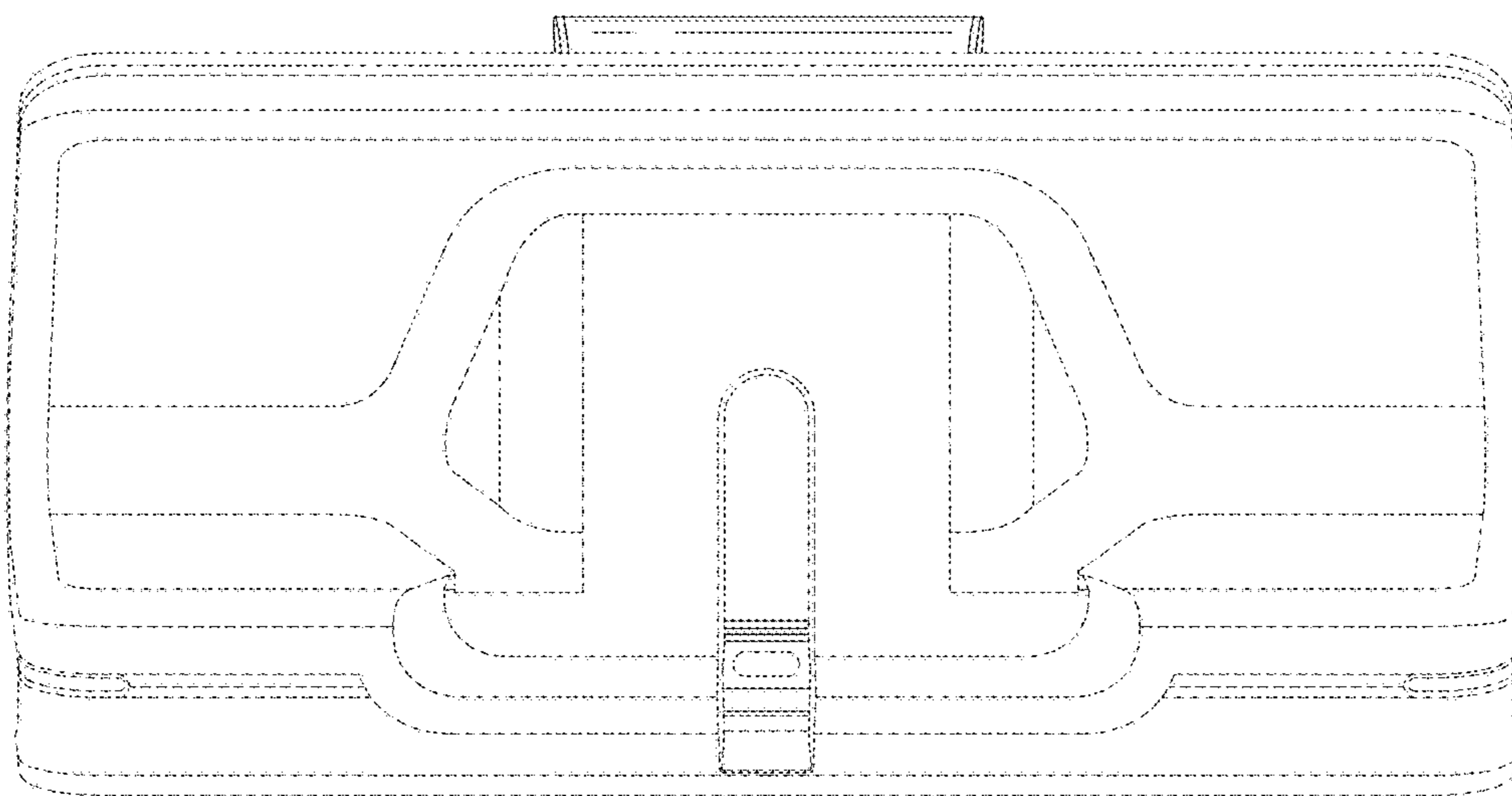


FIG. 20

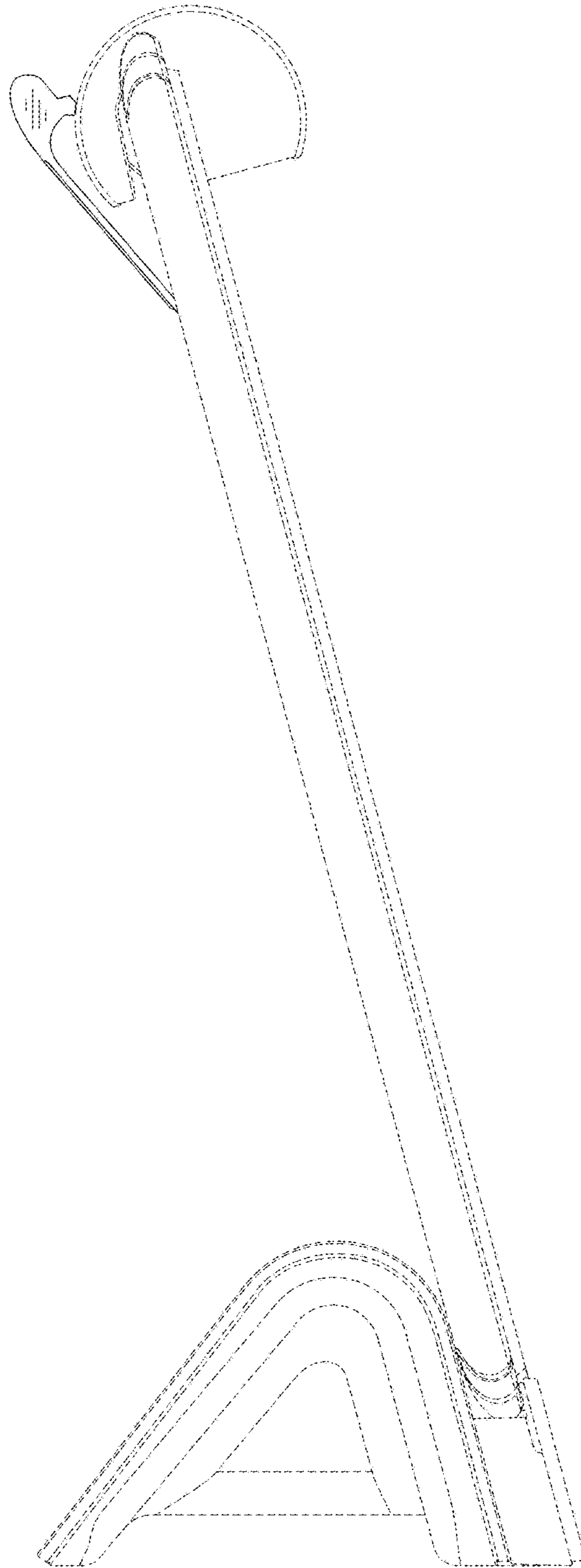


FIG. 21

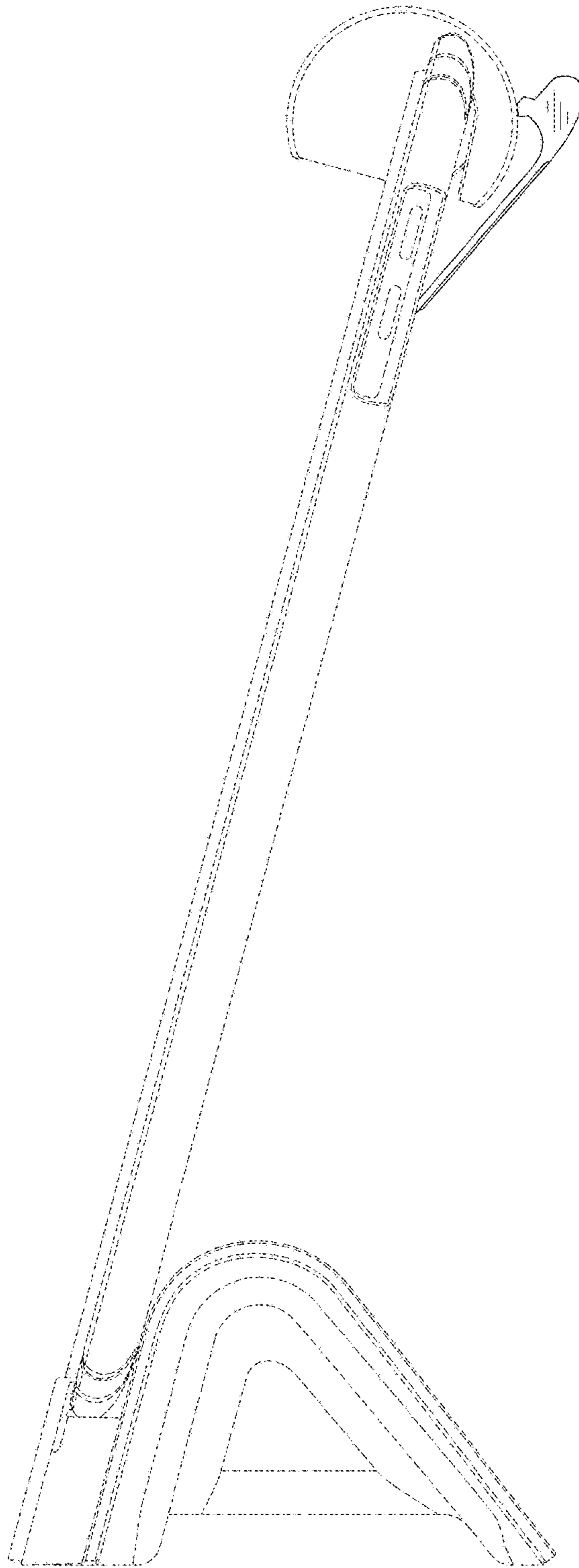


FIG. 22

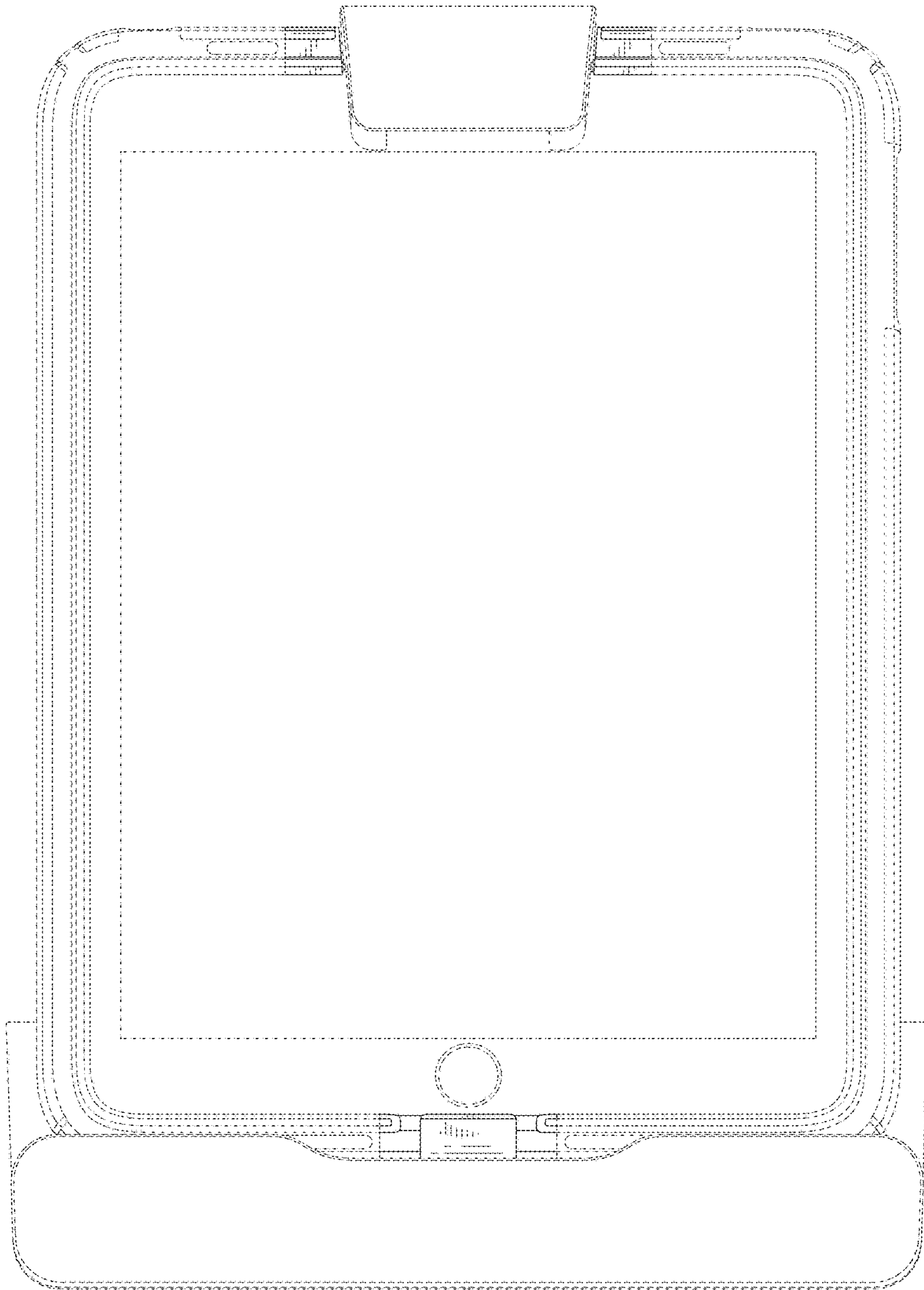


FIG. 23

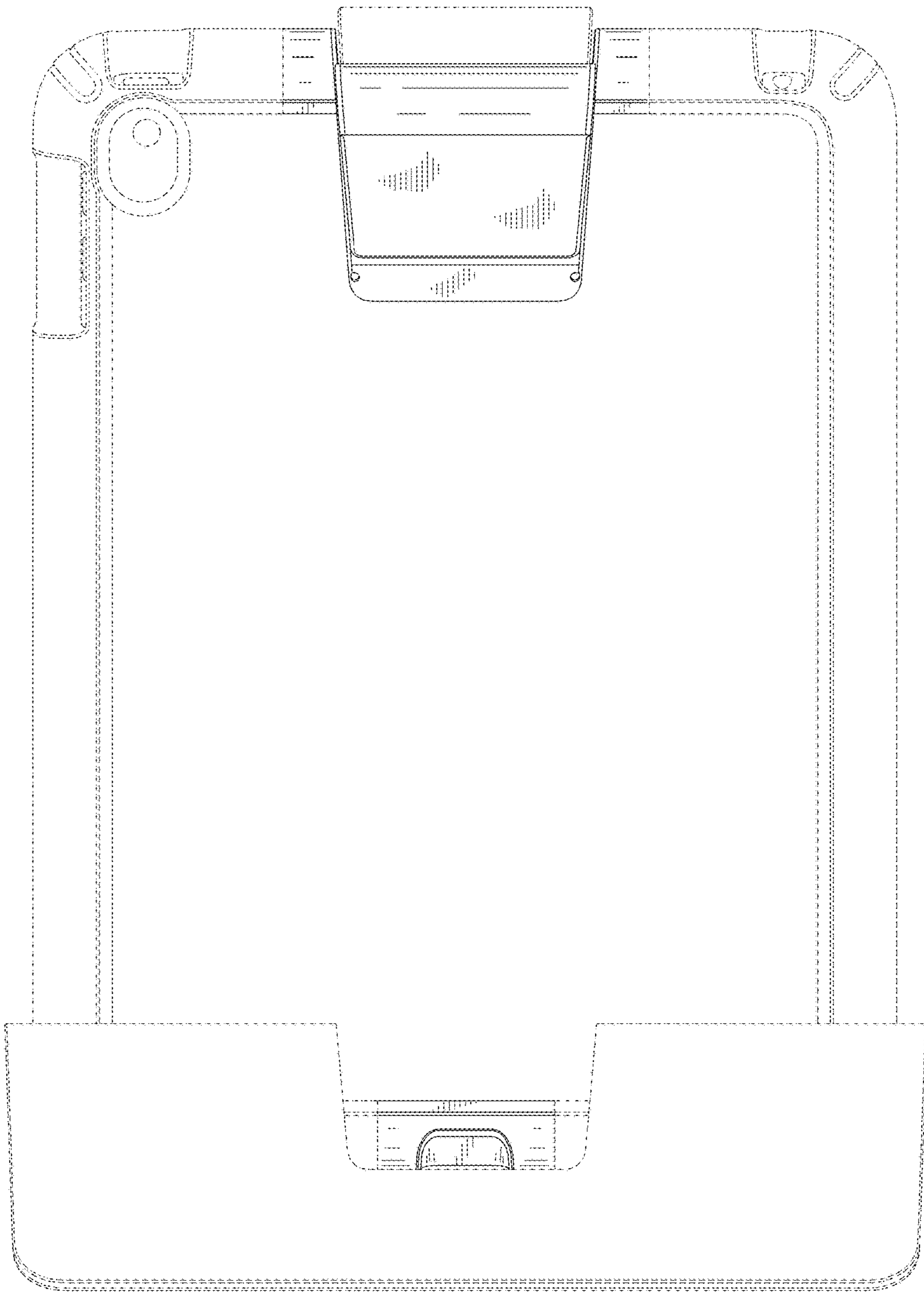


FIG. 24

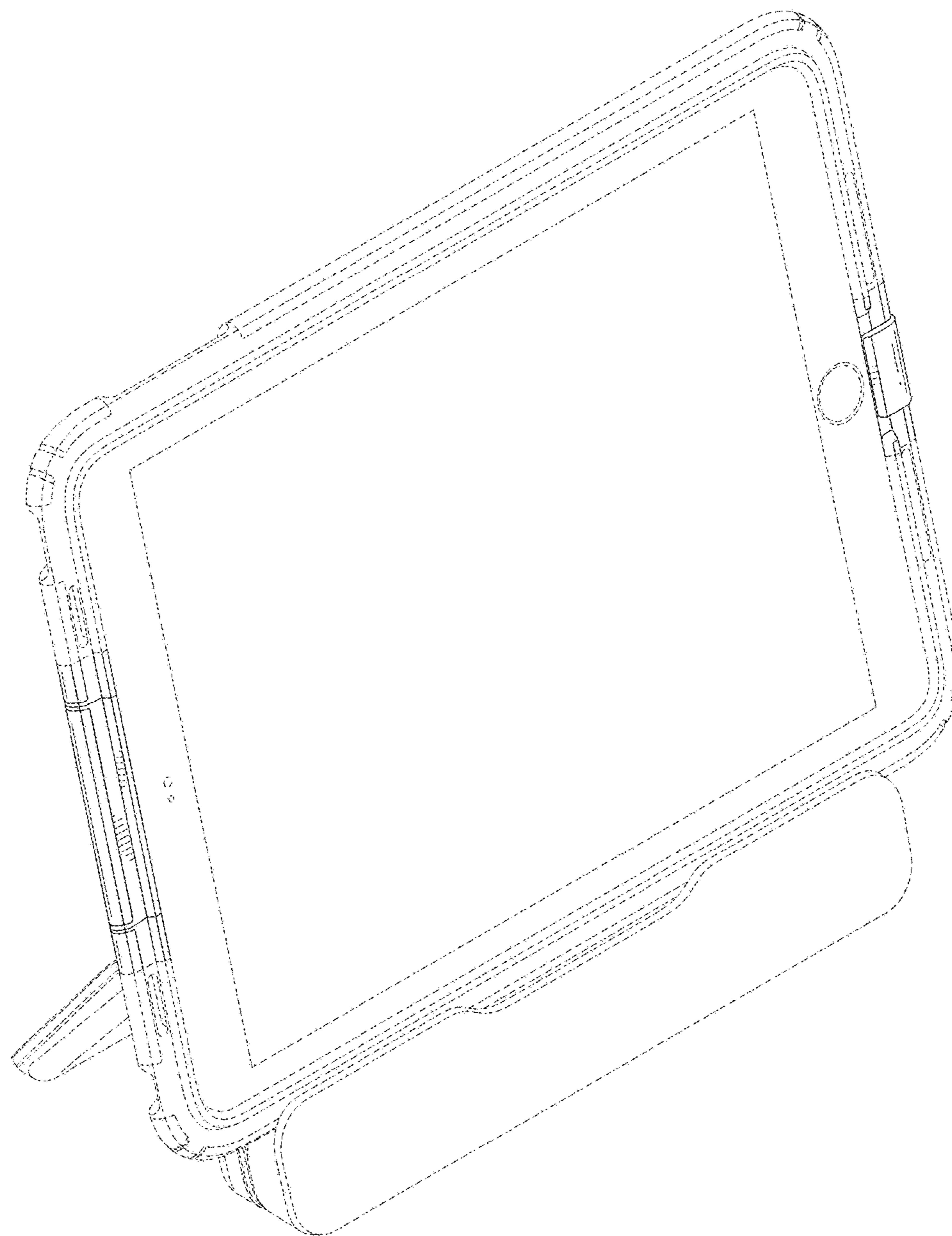


FIG. 25

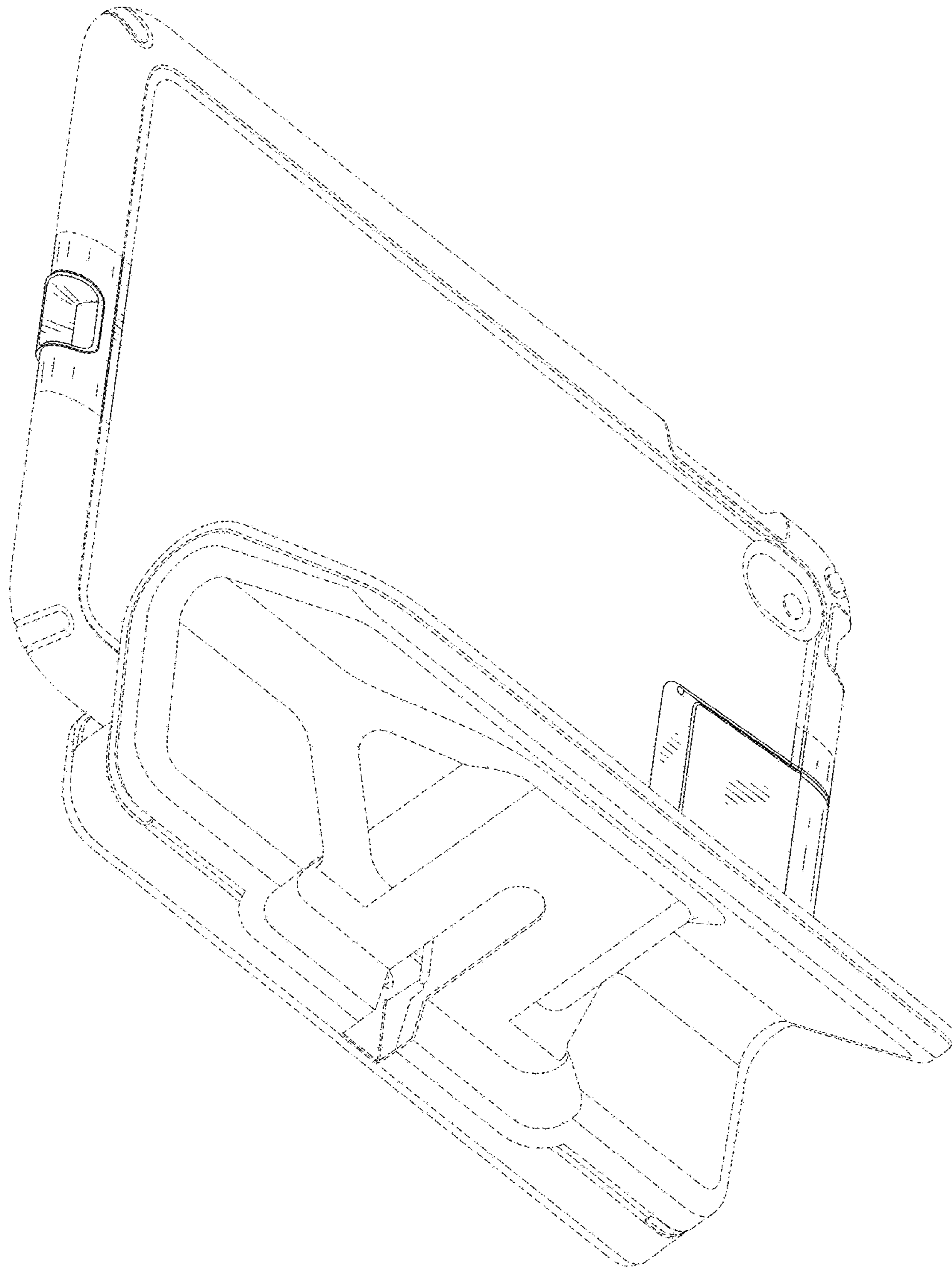


FIG. 26