



US00D852797S

(12) **United States Design Patent**
Green et al.

(10) **Patent No.:** **US D852,797 S**

(45) **Date of Patent:** **** Jul. 2, 2019**

(54) **ELECTRONIC DEVICE ADAPTER**

(71) Applicant: **Amazon Technologies, Inc.**, Seattle, WA (US)

(72) Inventors: **Christopher Green**, San Francisco, CA (US); **Marc Rene Walliser**, San Francisco, CA (US); **Matthew Michael Seflic**, San Jose, CA (US)

(73) Assignee: **Amazon Technologies, Inc.**, Seattle, WA (US)

(**) Term: **15 Years**

(21) Appl. No.: **29/609,163**

(22) Filed: **Jun. 28, 2017**

(51) **LOC (11) Cl.** **14-02**

(52) **U.S. Cl.**

USPC **D14/433**

(58) **Field of Classification Search**

USPC D14/356, 432-434, 453, 454, 511, 203.8, D14/209.1, 238.1, 240, 125; 439/638, 439/928, 105, 502; 710/303, 304; 361/679.41, 679.55, 679.56; D13/110, D13/133, 146

CPC ... H04L 12/2832; H04L 12/2838; G06F 3/00; G06F 5/00; G06F 13/14

See application file for complete search history.

(56) **References Cited**

U.S. PATENT DOCUMENTS

D680,539 S *	4/2013	Kim	D14/433
D682,835 S *	5/2013	Daniel	D14/433
D731,489 S *	6/2015	Langhammer	D14/433
D745,523 S *	12/2015	Magi	D14/433
D781,294 S *	3/2017	Schwalbach	D14/433

D784,340 S *	4/2017	Laffon de Mazieres	D14/433
D798,301 S *	9/2017	Kujawski	D14/433
D828,356 S *	9/2018	Xie	D14/433
D828,839 S *	9/2018	Zhang	D14/433
D828,840 S *	9/2018	Zhang	D14/433
D828,841 S *	9/2018	Zhang	D14/433
D832,260 S *	10/2018	Hutton	D14/433
D832,849 S *	11/2018	Kim	D14/433

OTHER PUBLICATIONS

Indian Office Action dated Jan. 2, 2018 for Indian design application No. 300141, a counterpart foreign application of design U.S. Appl. No. 29/609,163, 2 pages.

* cited by examiner

Primary Examiner — Austin Murphy

(74) *Attorney, Agent, or Firm* — Lee & Hayes, P.C.

(57) **CLAIM**

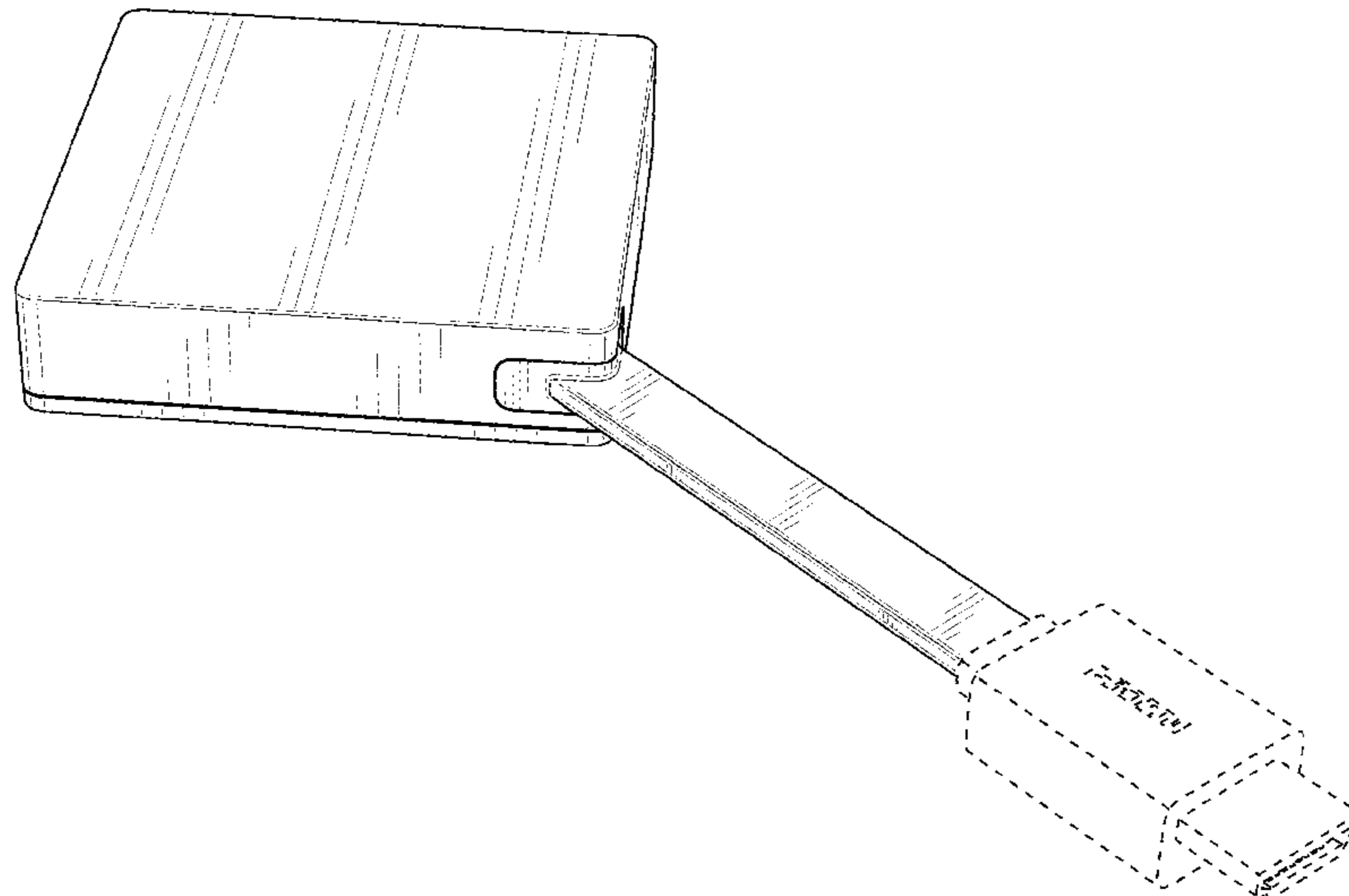
The ornamental design of an electronic device adapter, as shown and described.

DESCRIPTION

FIG. 1 is a first bottom perspective view of an electronic device adapter;
FIG. 2 is a top perspective view thereof;
FIG. 3 is a second bottom perspective view thereof;
FIG. 4 is a front view thereof;
FIG. 5 is a back view thereof;
FIG. 6 is a left-side view thereof;
FIG. 7 is a right-side view thereof;
FIG. 8 is a top view thereof; and,
FIG. 9 is a bottom view thereof.

The broken lines depict portions of the electronic device adapter that form no part of the claimed design.

1 Claim, 9 Drawing Sheets



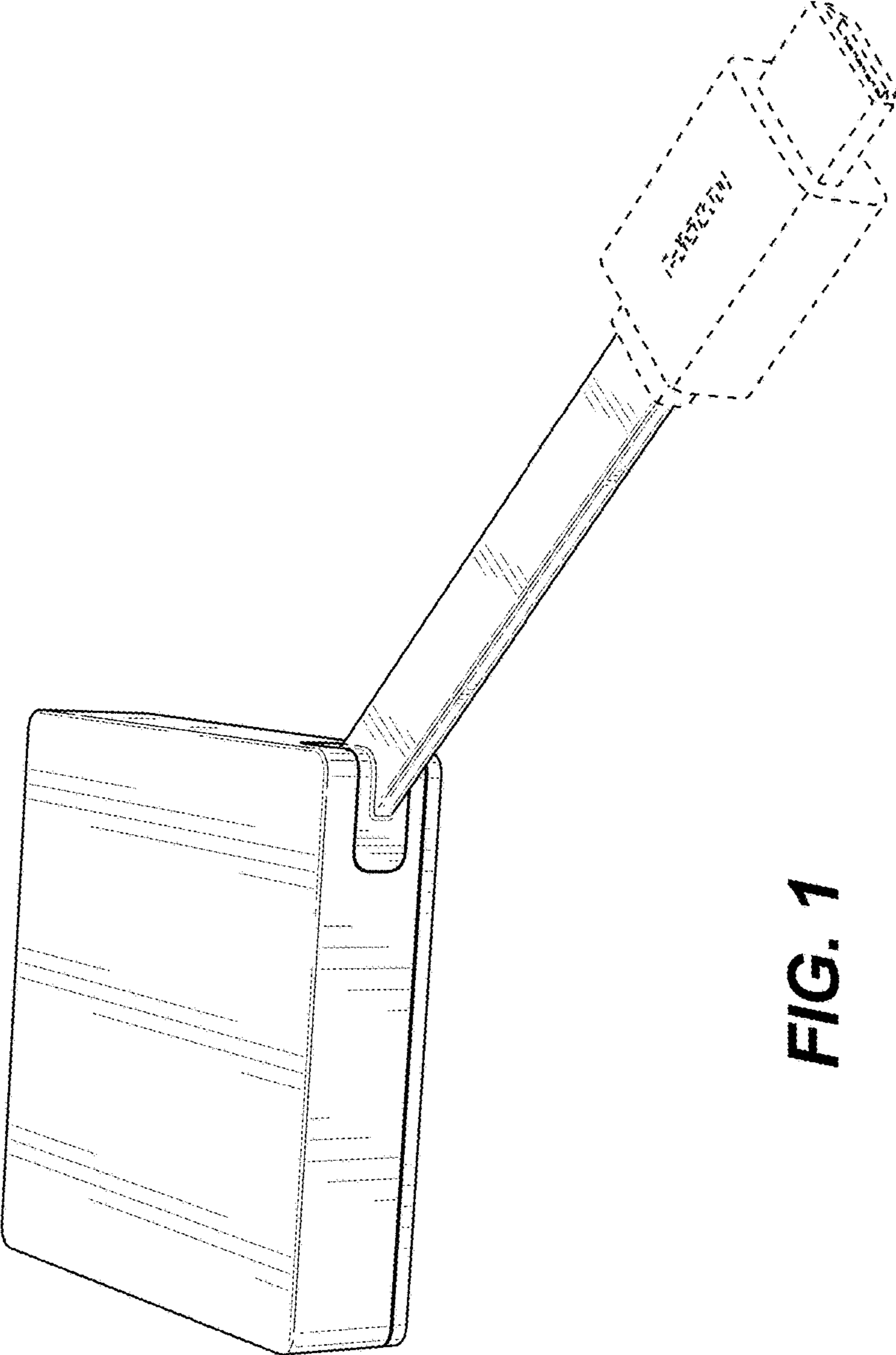


FIG. 1

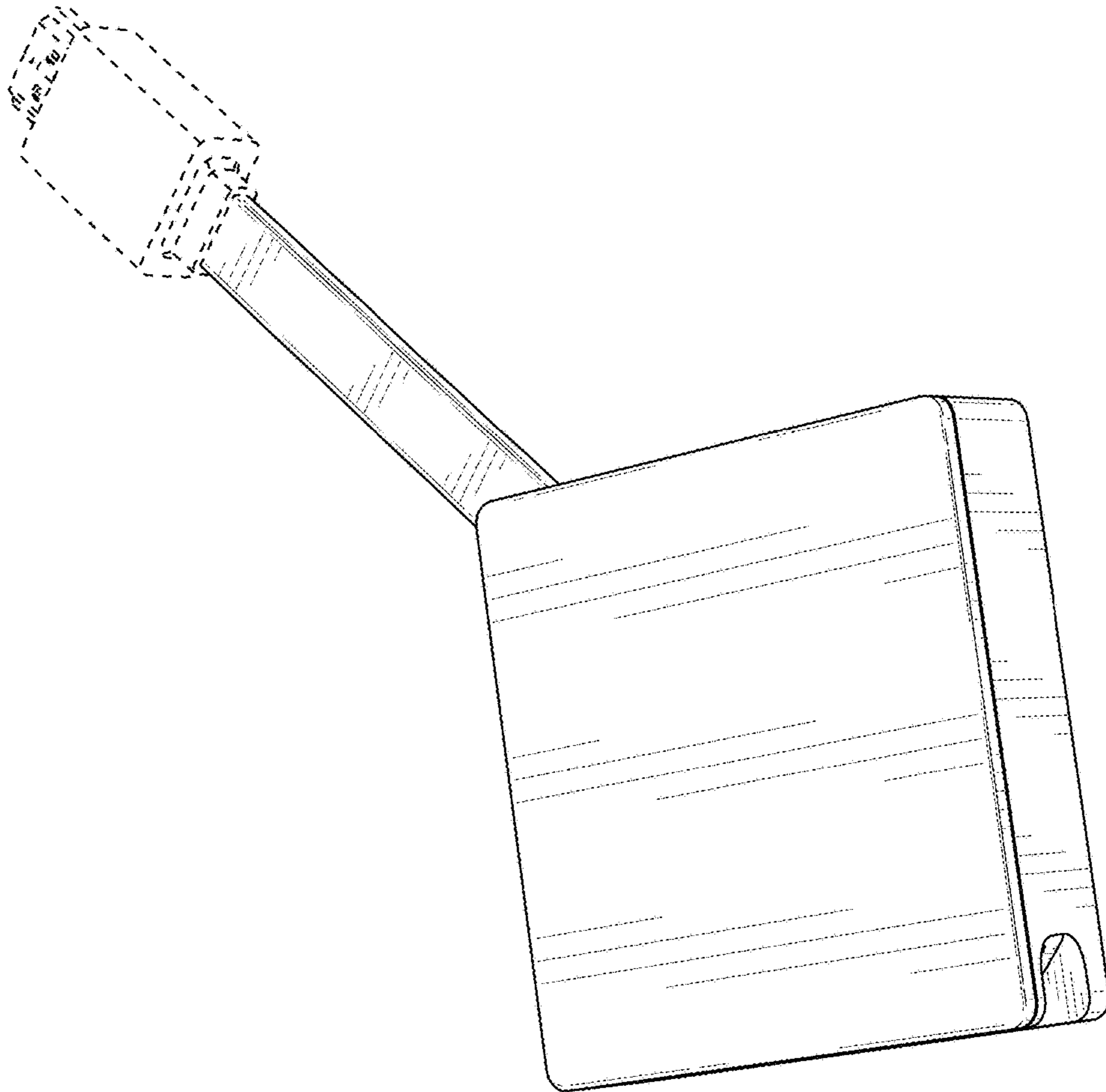


FIG. 2

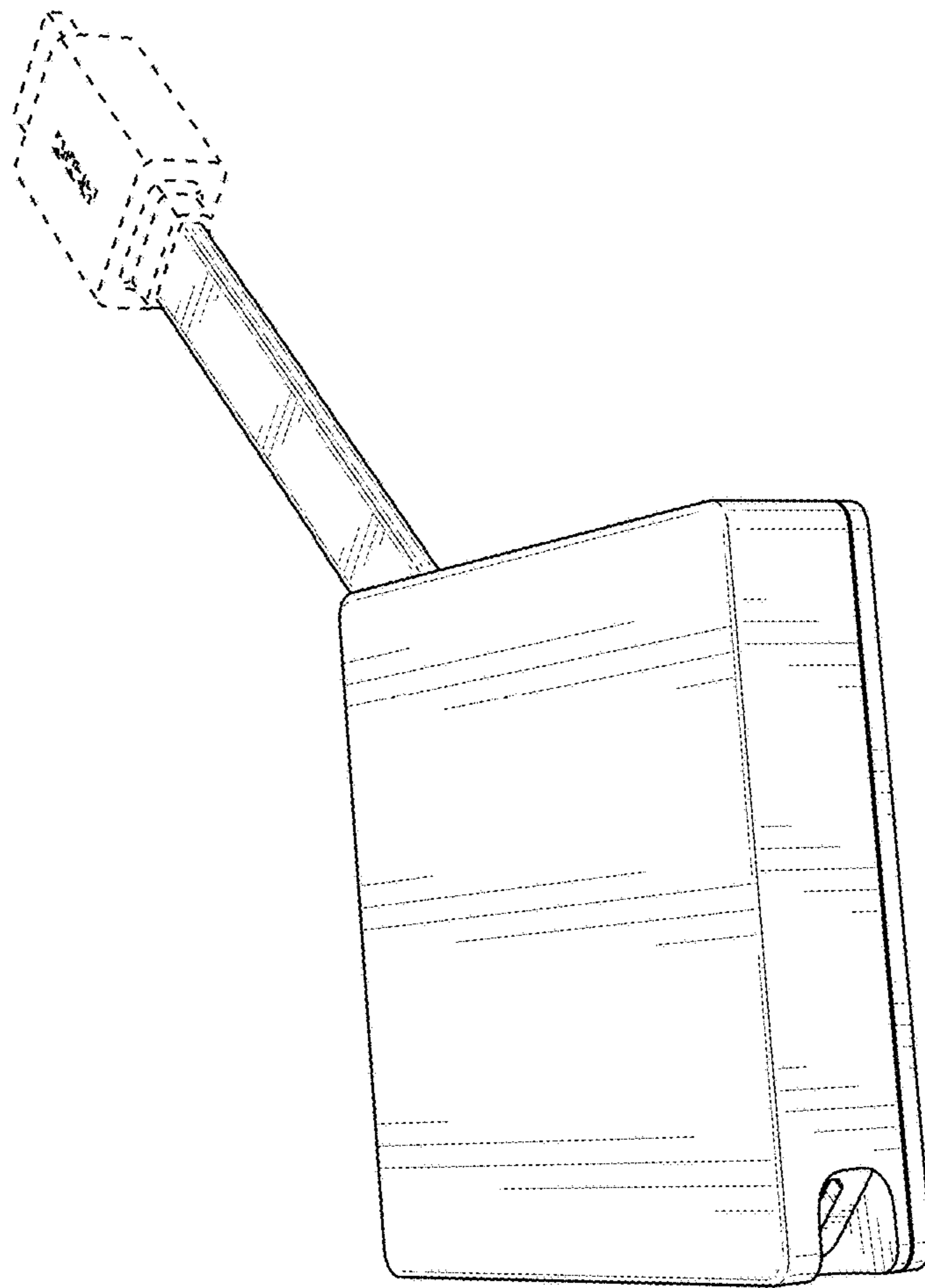


FIG. 3

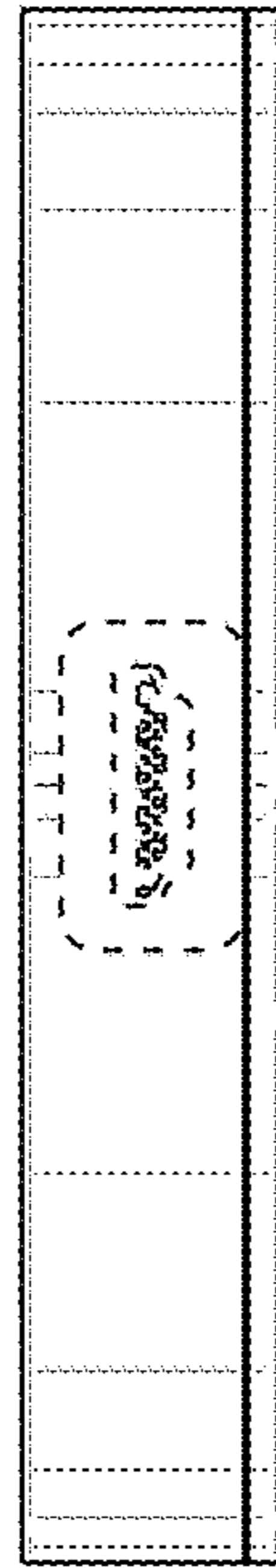


FIG. 4

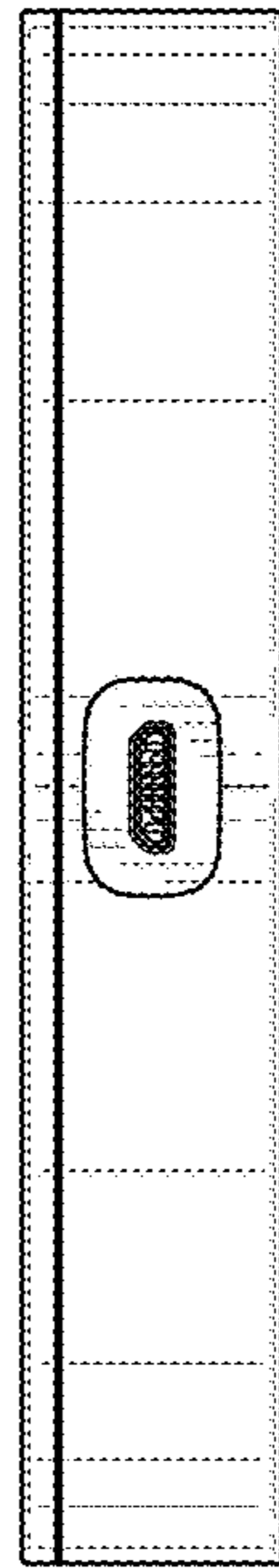


FIG. 5

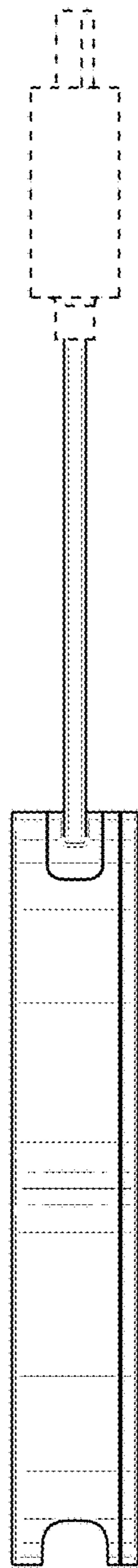


FIG. 6

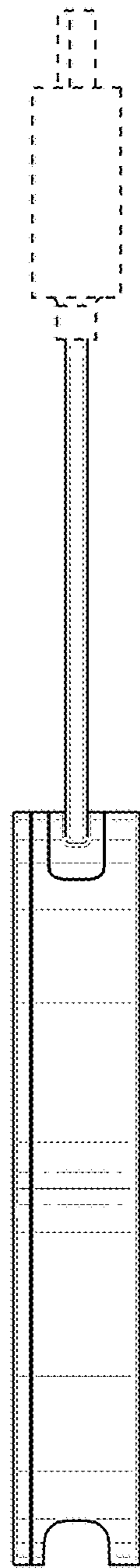


FIG. 7

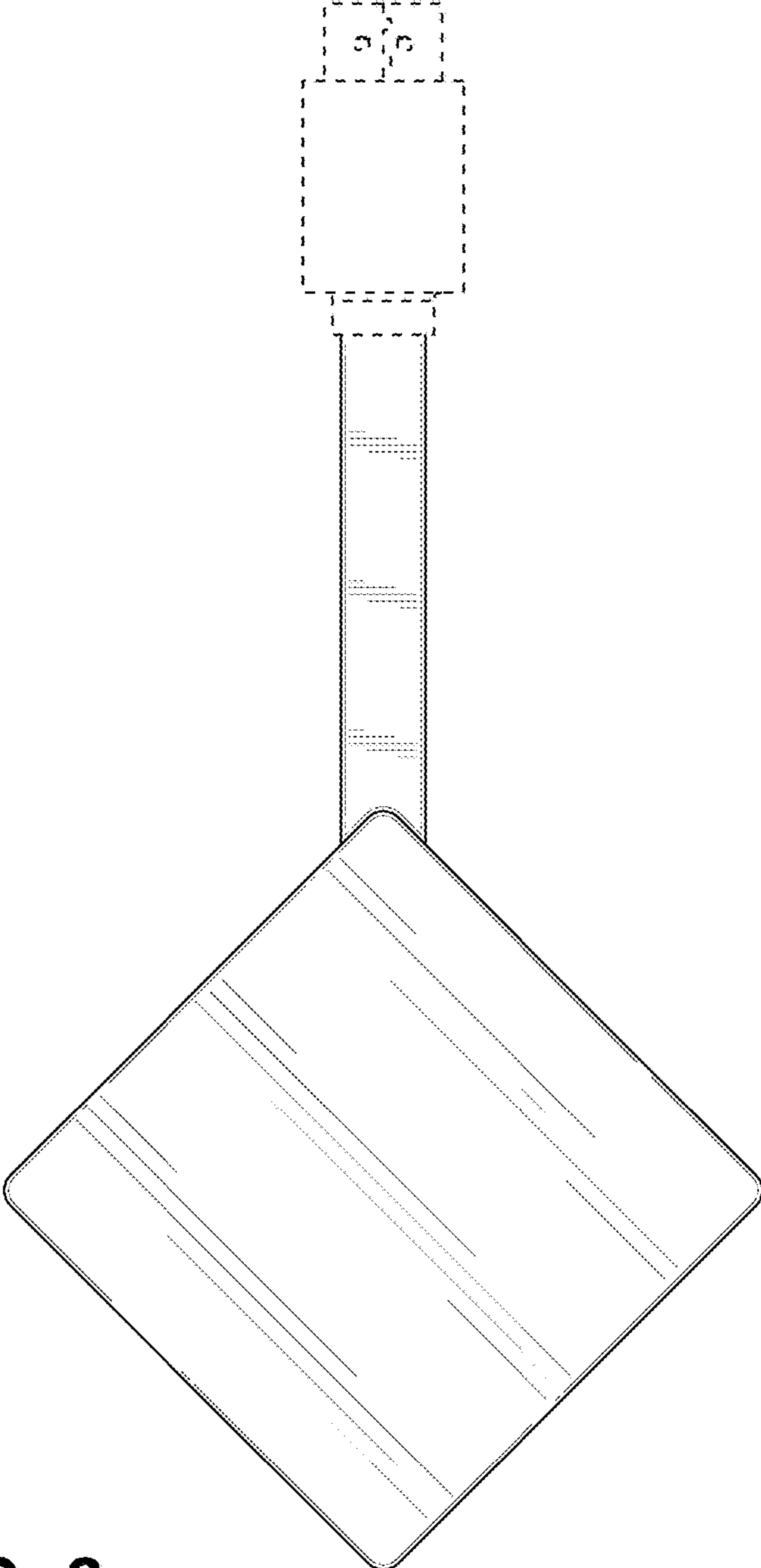


FIG. 8

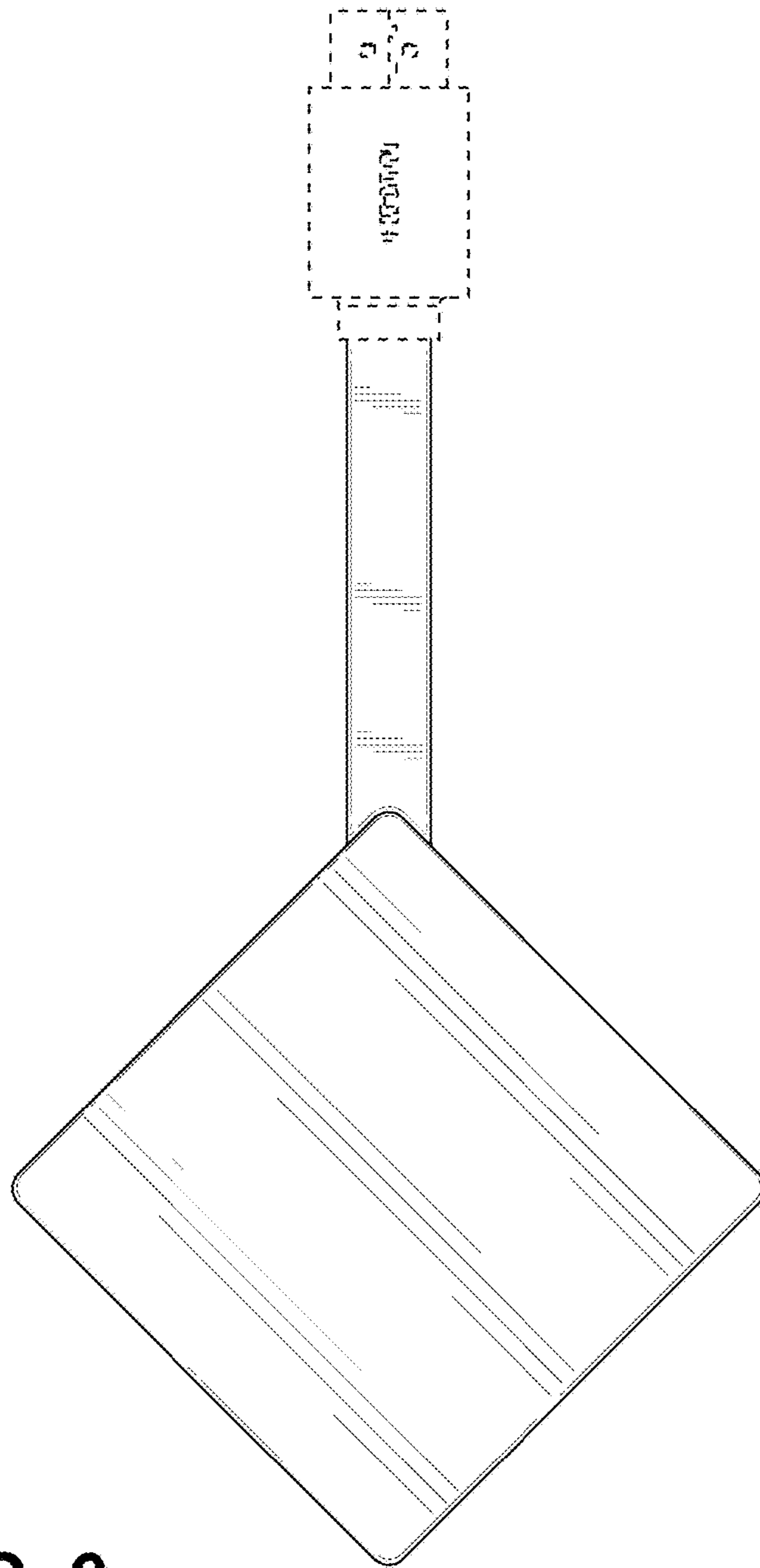


FIG. 9