



US00D852796S

(12) **United States Design Patent**  
**Liu**

(10) **Patent No.:** **US D852,796 S**  
(45) **Date of Patent:** **\*\* Jul. 2, 2019**

(54) **NETWORK DATA KEYSTONE**

(56) **References Cited**

(71) Applicant: **Fenghua kingsun machine Co., Ltd,**  
Ningbo, Zhejiang Province (CN)

(72) Inventor: **Shuisheng Liu,** Fengcheng (CN)

(73) Assignee: **Fenghua Kingsun Machine Co., Ltd.,**  
Ningbo (CN)

(\*\*) Term: **15 Years**

(21) Appl. No.: **29/572,175**

(22) Filed: **Jul. 26, 2016**

(30) **Foreign Application Priority Data**

Jan. 28, 2016 (CN) ..... 2016 3 0030991

(51) **LOC (11) Cl.** ..... **14-02**

(52) **U.S. Cl.**  
USPC ..... **D14/433**

(58) **Field of Classification Search**  
USPC .... D14/356, 432-434, 453, 454, 511, 203.8,  
D14/209.1, 238.1, 240, 125; 439/638,  
439/928, 105, 502; 710/303, 304;  
361/679.41, 679.55, 679.56; D13/110,  
D13/133, 146  
CPC ... H04L 12/2832; H04L 12/2838; G06F 3/00;  
G06F 5/00; G06F 13/14  
See application file for complete search history.

U.S. PATENT DOCUMENTS

D552,551	S *	10/2007	Chang	.....	D13/147
D553,088	S *	10/2007	Chang	.....	D13/147
8,480,439	B1 *	7/2013	Chen	.....	H01R 13/506
					439/620.11
8,827,748	B2 *	9/2014	Scherer	.....	H01R 13/6658
					439/620.23
9,531,136	B2 *	12/2016	Yossef	.....	H01R 24/64
D809,464	S *	2/2018	Lin	.....	D13/147
9,929,480	B1 *	3/2018	Wu	.....	H01R 9/031
D818,469	S *	5/2018	Bragg	.....	D14/433

\* cited by examiner

*Primary Examiner* — Austin Murphy

(74) *Attorney, Agent, or Firm* — Bay State IP, LLC

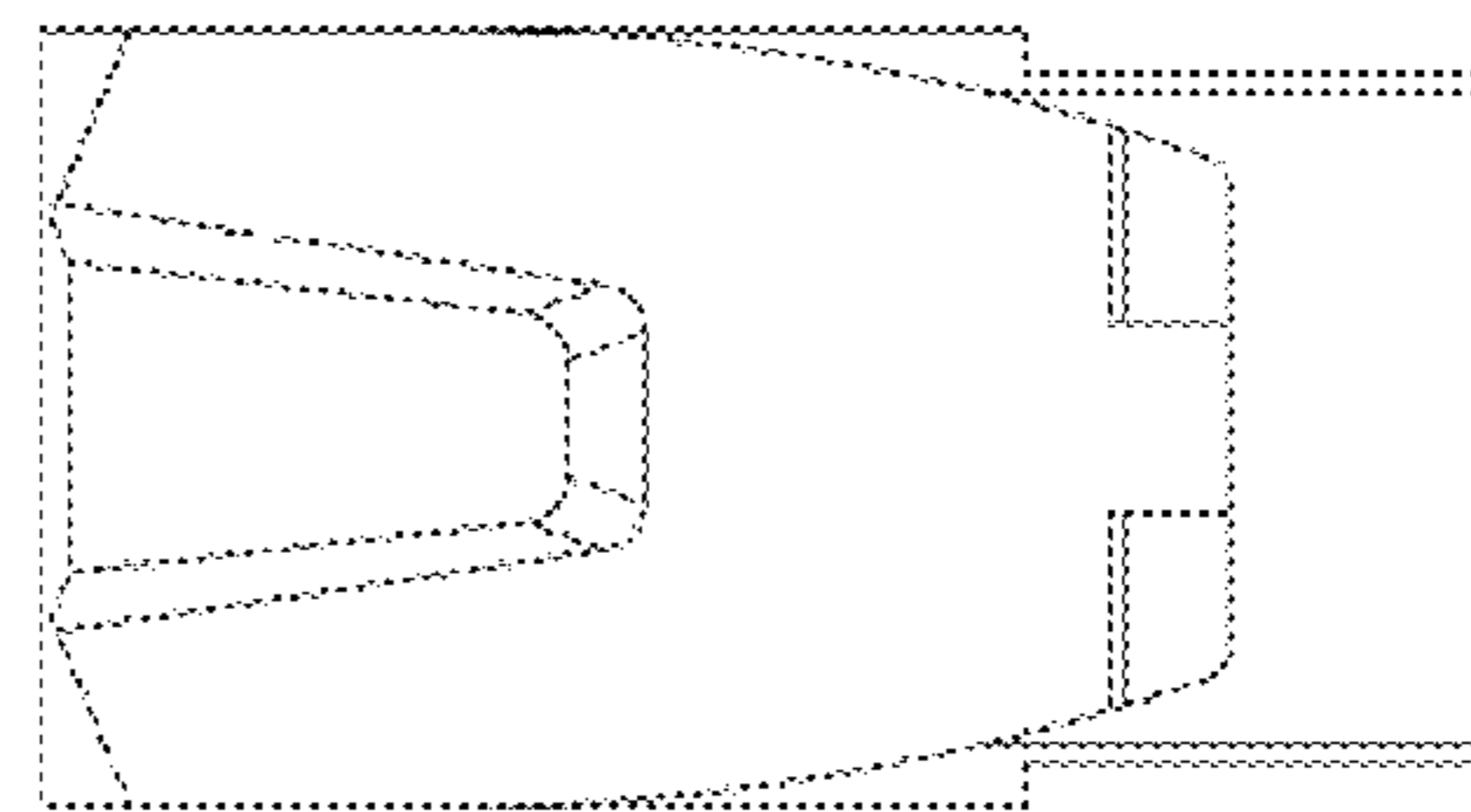
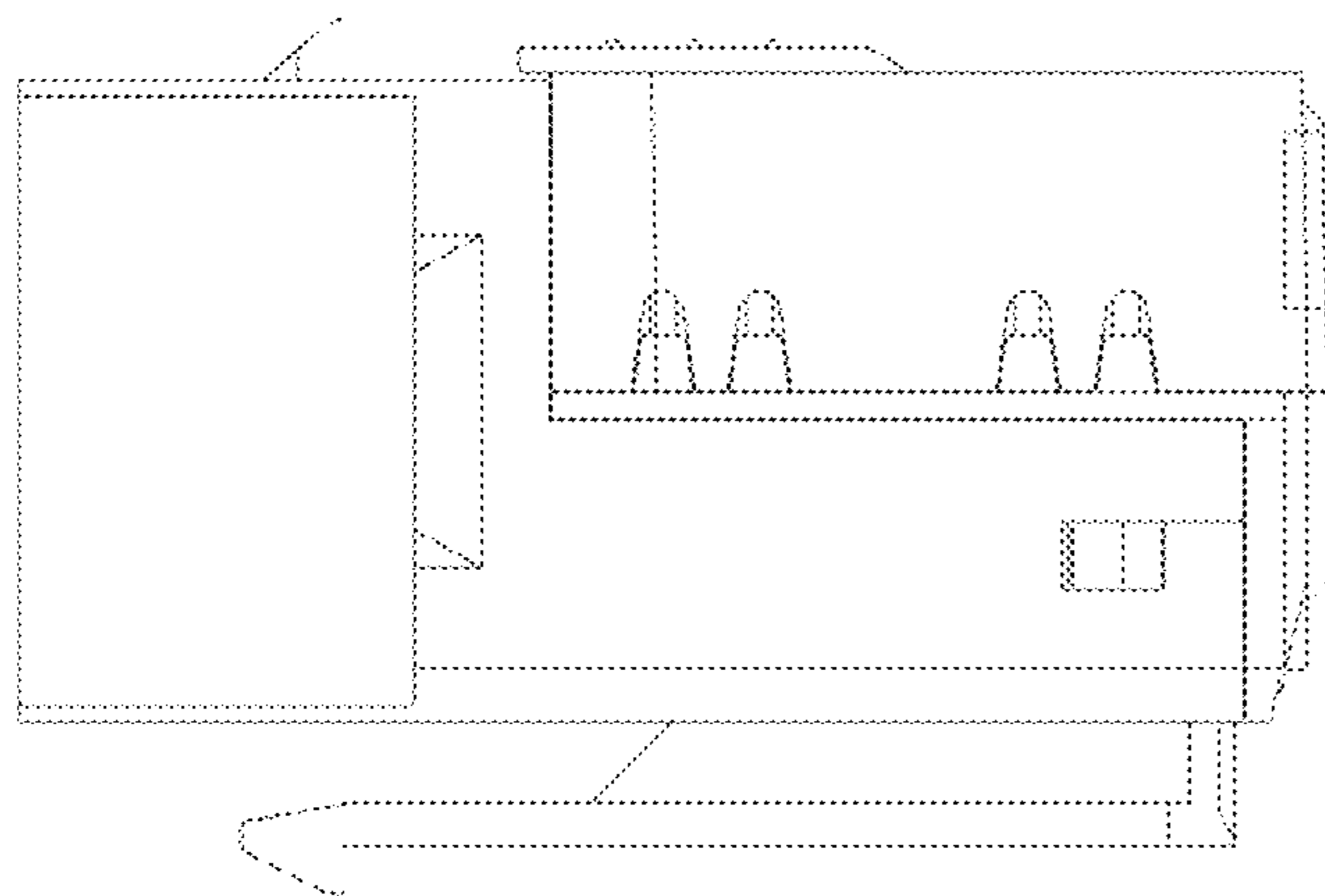
(57) **CLAIM**

The ornamental design for a network data keystone, as shown and described.

**DESCRIPTION**

FIG. 1 is a front view of the network data keystone showing my new design;  
FIG. 2 is a back view thereof;  
FIG. 3 is a left view thereof;  
FIG. 4 is a top view thereof; and,  
FIG. 5 is a bottom view thereof.  
The broken lines in the drawings depict portions of the network data keystone that form no part of the claimed design.

**1 Claim, 4 Drawing Sheets**



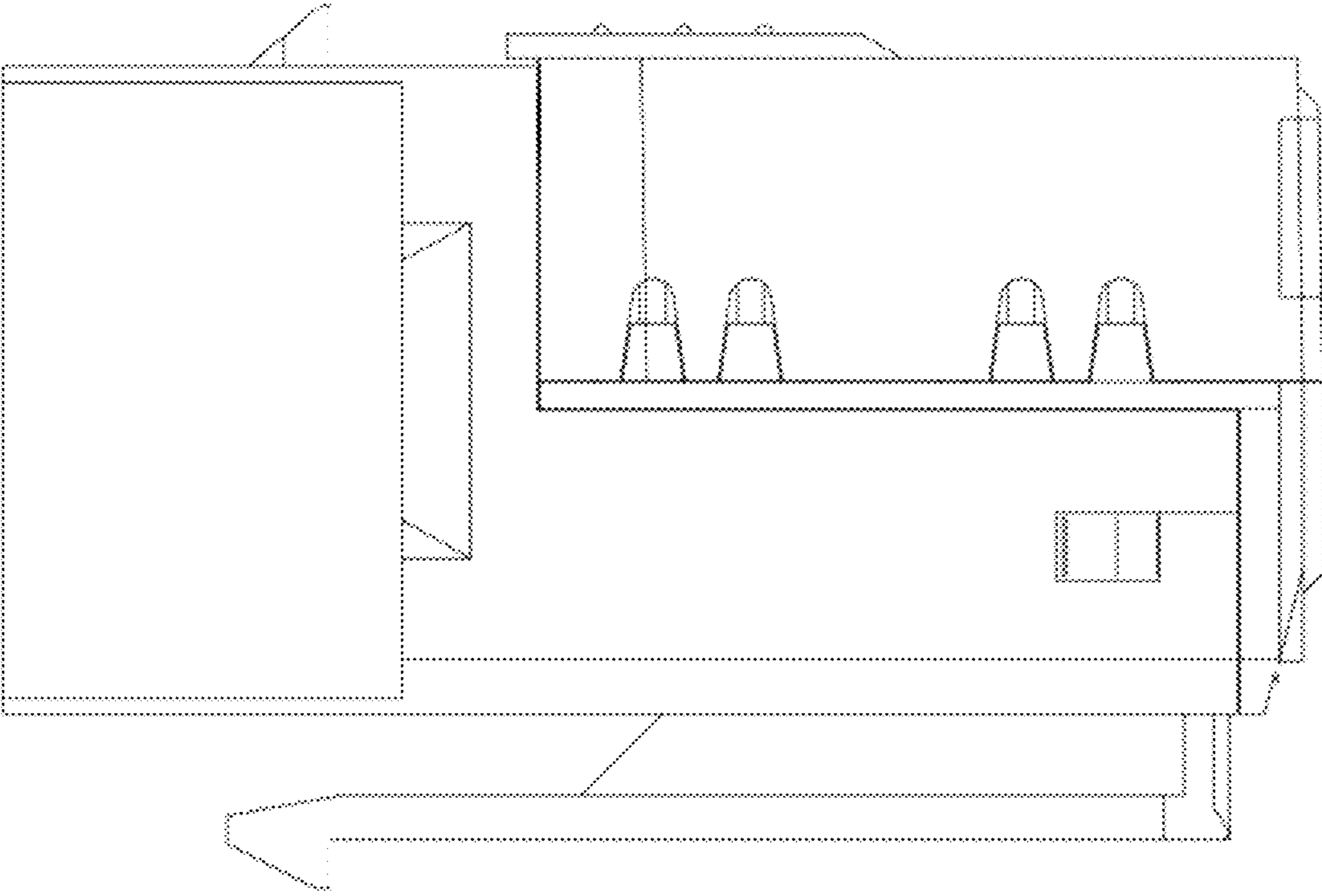


FIG. 1

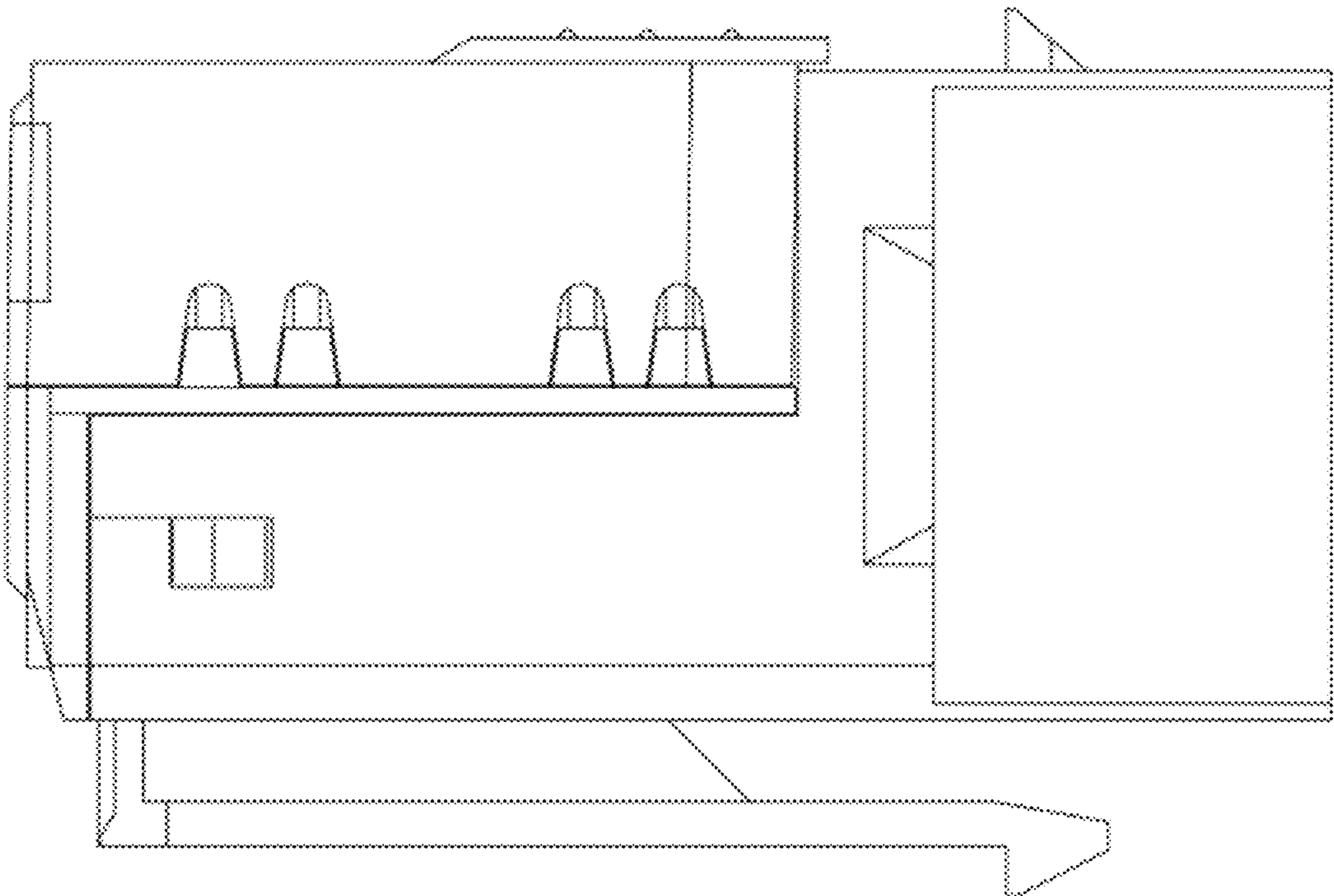


FIG. 2

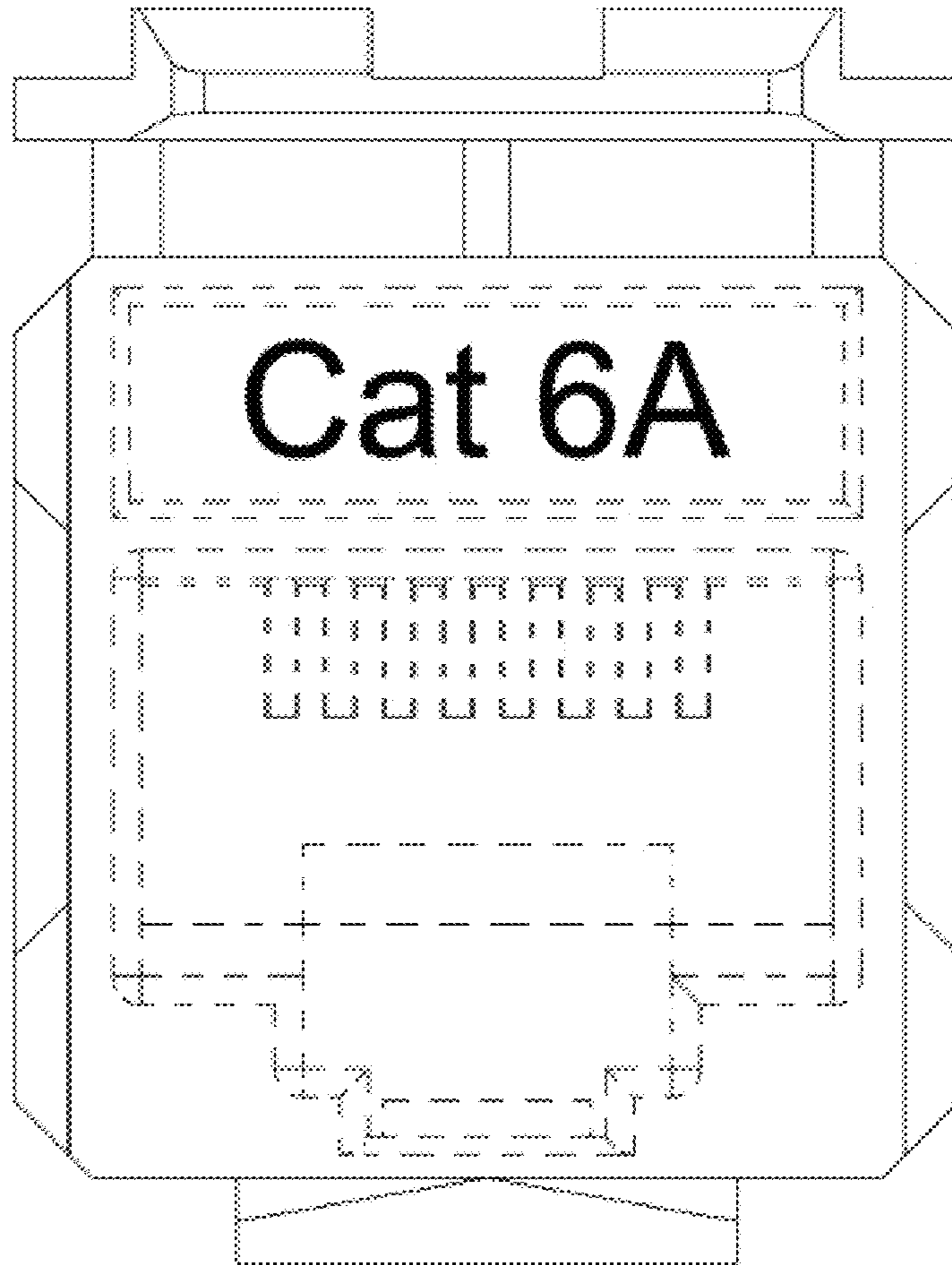


FIG. 3

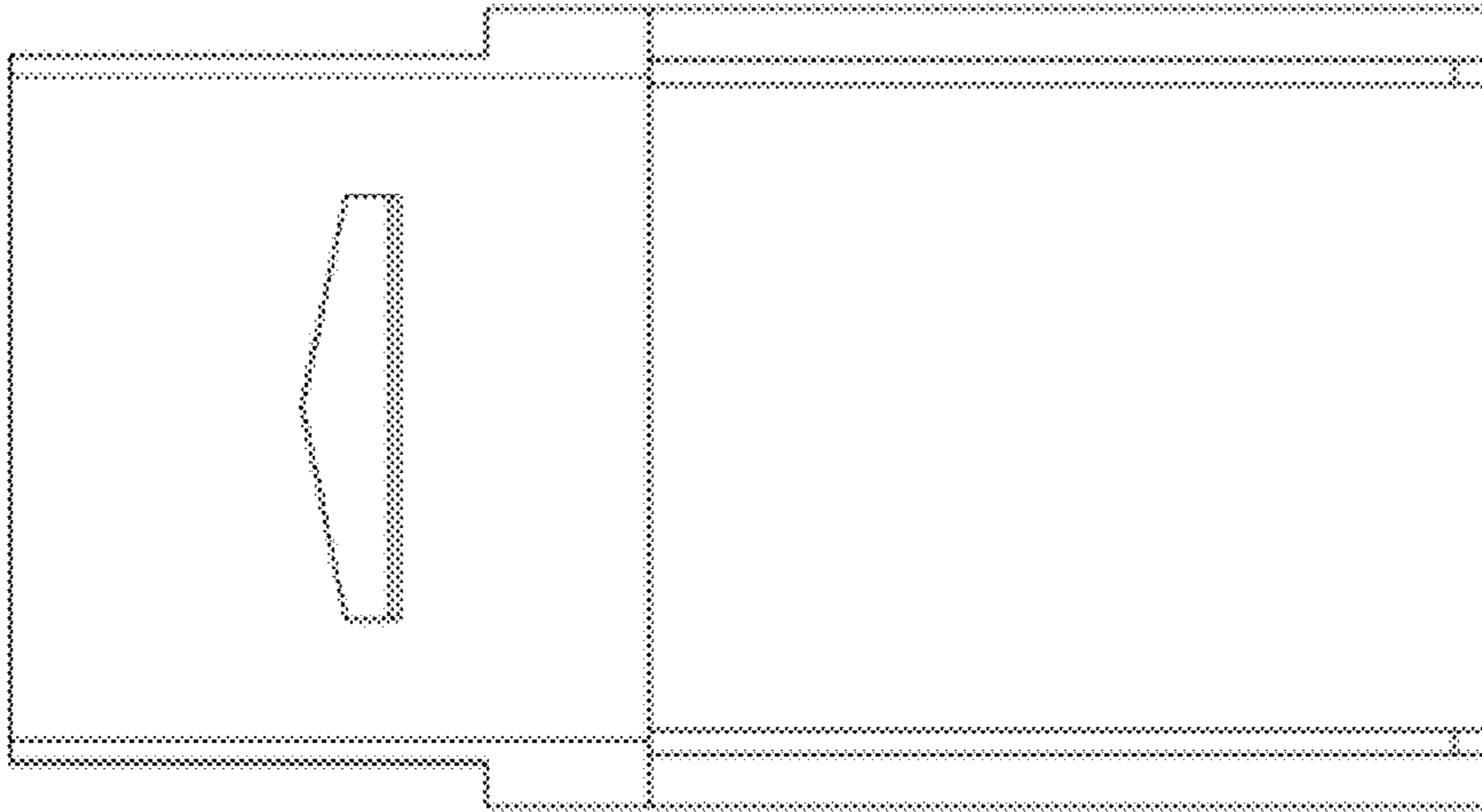


FIG. 4

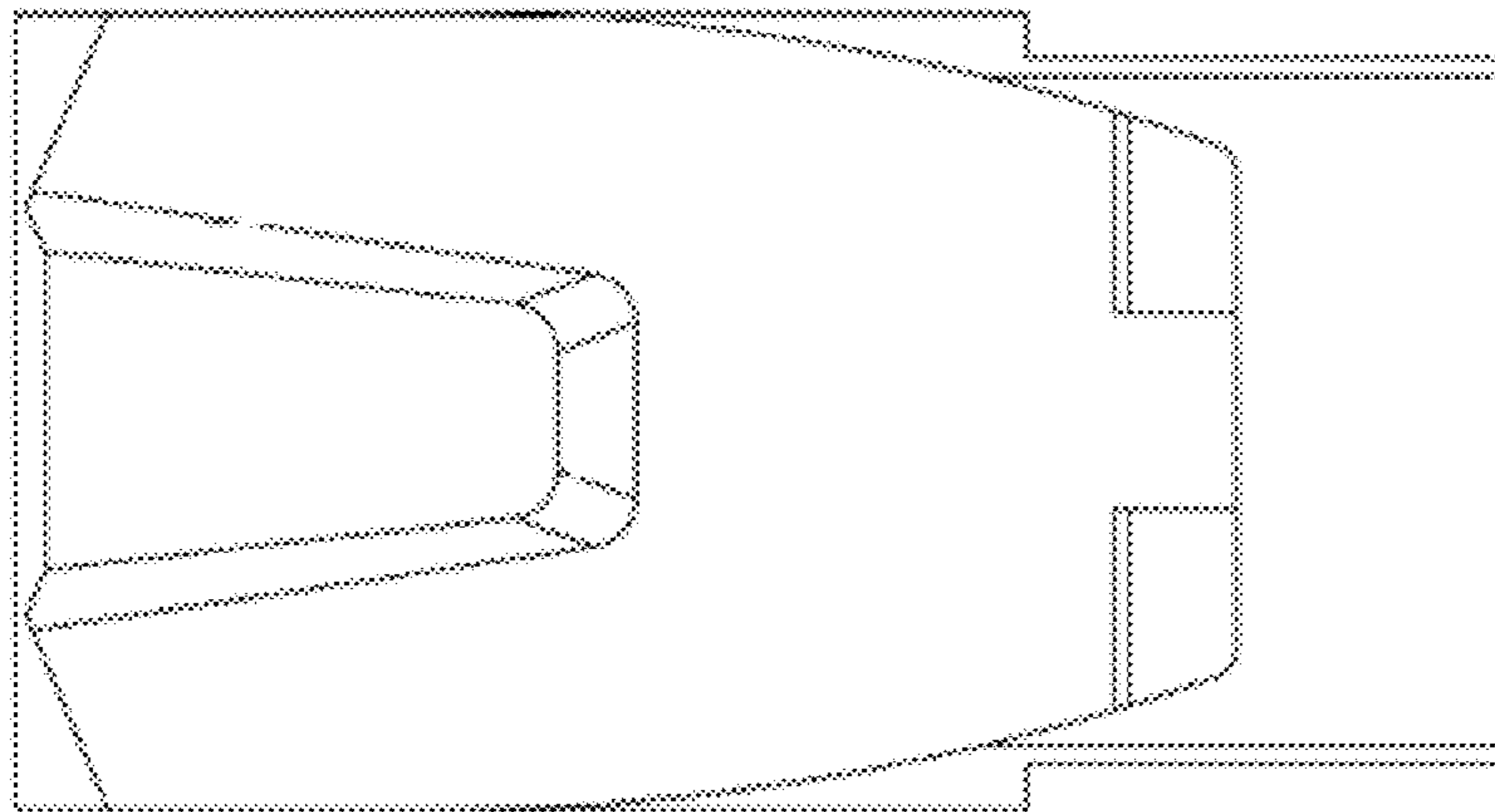


FIG. 5