



US00D852791S

(12) **United States Design Patent**
Sohn et al.

(10) **Patent No.:** **US D852,791 S**
(45) **Date of Patent:** **** Jul. 2, 2019**

(54) **REPEATER FOR WIRELESS COMMUNICATIONS**

88/18; H04W 4/00; H04N 5/64; H04N 21/43637

See application file for complete search history.

(71) Applicant: **Samsung Electronics Co., Ltd.**,
Suwon-si (KR)

(56) **References Cited**

U.S. PATENT DOCUMENTS

(72) Inventors: **Jungjoo Sohn**, Seoul (KR); **Kyungho Jeong**, Cheongju-si (KR); **Taehoon Lee**, Seoul (KR)

D229,973 S *	1/1974	Houlihan	D14/188
D433,021 S *	10/2000	Shibata	D14/356
D464,283 S *	10/2002	Kuo	D10/114.2
D475,996 S *	6/2003	Skulley	D14/223
D487,262 S *	3/2004	van Engelen	D14/240
D521,526 S *	5/2006	Suckle	D14/496
D527,722 S *	9/2006	Yeh	D14/496
D534,509 S *	1/2007	Rashid	D14/126
D534,896 S *	1/2007	Lin	D14/188
D544,463 S *	6/2007	Harris	D14/168
D552,053 S *	10/2007	Kim	D14/168
D554,110 S *	10/2007	Whiteside	D14/230

(73) Assignee: **SAMSUNG ELECTRONICS CO., LTD.**, Gyeonggi-Do (KR)

(**) Term: **15 Years**

(Continued)

(21) Appl. No.: **29/625,274**

Primary Examiner — Marie D. Fast Horse

(22) Filed: **Nov. 8, 2017**

(74) *Attorney, Agent, or Firm* — Cantor Colburn LLP

(30) **Foreign Application Priority Data**

May 12, 2017 (KR) 30-2017-0021500

(51) **LOC (11) Cl.** **14-03**

(52) **U.S. Cl.**

USPC **D14/240**; D14/358

(58) **Field of Classification Search**

USPC ... D14/240, 242, 243, 358, 125, 140, 140.1, D14/140.2, 140.3, 140.6, 142, 155, 167, D14/168, 172, 188, 195, 216, 299, 496, D14/348, 356, 357 K, 230; D13/103, D13/107, 108, 123, 152, 158, 162, 162.1, D13/163, 168, 184, 199; D10/104.1, D10/106.1, 106.6, 116.1, 61, 64, 75, D10/106.9; D20/10; D16/202, 203, 208

CPC ... H04W 88/00; H04W 88/005; H04W 88/02; H04W 88/08; H04W 88/085; H04W 88/12; H04W 88/14; H04W 88/16; H04W

(57) **CLAIM**

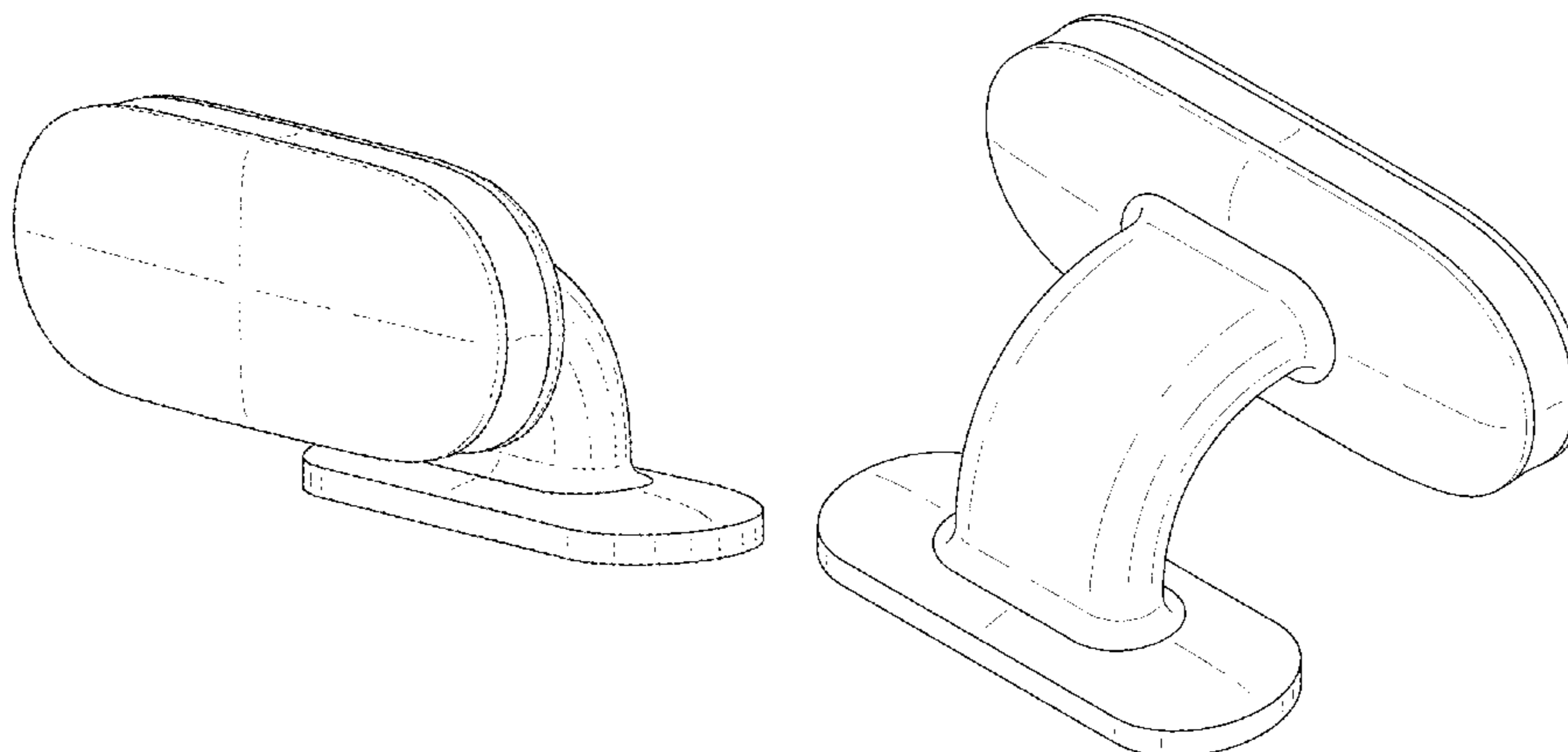
The ornamental design for a repeater for wireless communications, as shown and described.

DESCRIPTION

FIG. 1 is a front perspective view of a repeater for wireless communications showing our new design; FIG. 2 is a front view thereof; FIG. 3 is a rear view thereof; FIG. 4 is a left-side view thereof; FIG. 5 is a right-side view thereof; FIG. 6 is a top view thereof; FIG. 7 is a bottom view thereof; FIG. 8 is rear perspective view thereof; and, FIG. 9 is another front view thereof in an environment of use.

The unshaded bottom surface shown between the broken line and solid line in FIG. 7 forms no part of the claim. The small dash broken line in FIGS. 2, 3, 4, 5, 7, and 9 depicts a portion of the repeater for wireless communications that

(Continued)



forms no part of the claim, while the large dash broken lines in FIG. 9 depict environmental structure that forms no part of the claim.

1 Claim, 6 Drawing Sheets

(56) **References Cited**

U.S. PATENT DOCUMENTS

D561,744	S	*	2/2008	Whiteside	D14/230
D565,037	S	*	3/2008	Chun	D14/240
D575,280	S	*	8/2008	Marquez	D14/240
D579,952	S	*	11/2008	Yamada	D14/496
D600,730	S	*	9/2009	Su	D16/202
D608,761	S	*	1/2010	Kim	D14/188
D629,031	S	*	12/2010	Su	D16/202
D632,719	S	*	2/2011	Tsai	D16/202
D641,004	S	*	7/2011	Poandl	D14/209.1
D641,770	S	*	7/2011	Hoehn	D16/202
D648,319	S	*	11/2011	Chen	D14/211
D649,560	S	*	11/2011	Hurter	D15/1
D662,532	S	*	6/2012	Chang	D16/202
D722,941	S	*	2/2015	Oh	D12/400
D728,508	S	*	5/2015	Breines	D14/155
D759,621	S	*	6/2016	Maxwell	D14/130
D771,023	S	*	11/2016	Zhang	D14/240
D783,008	S	*	4/2017	Kim	D14/242
D783,075	S	*	4/2017	Maxwell	D16/202
D785,580	S	*	5/2017	Yu	H04N 21/414
						D14/125
D823,844	S	*	7/2018	Ramones	D14/240
D828,184	S	*	9/2018	Hu	D10/26

* cited by examiner

FIG. 1

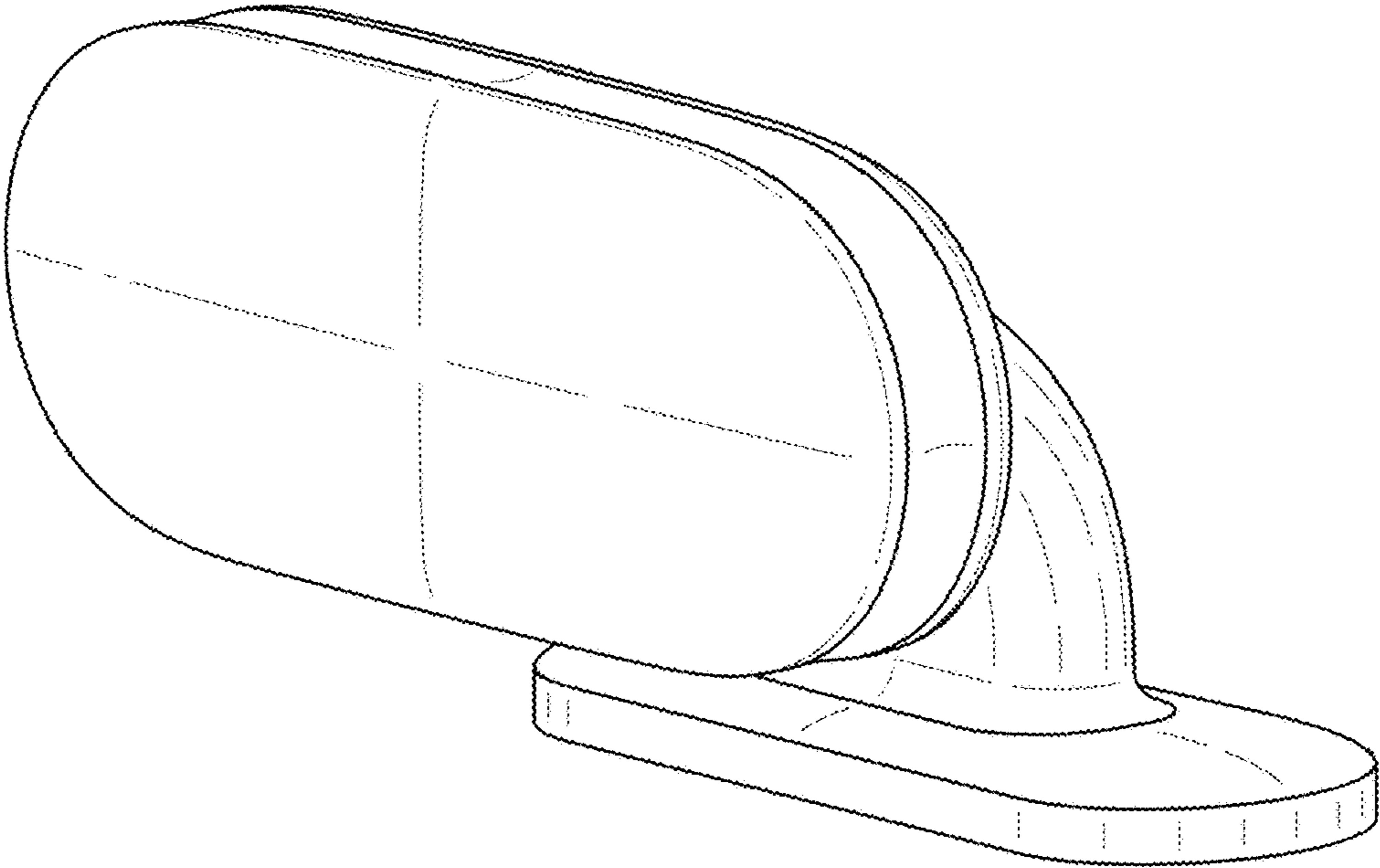


FIG.2

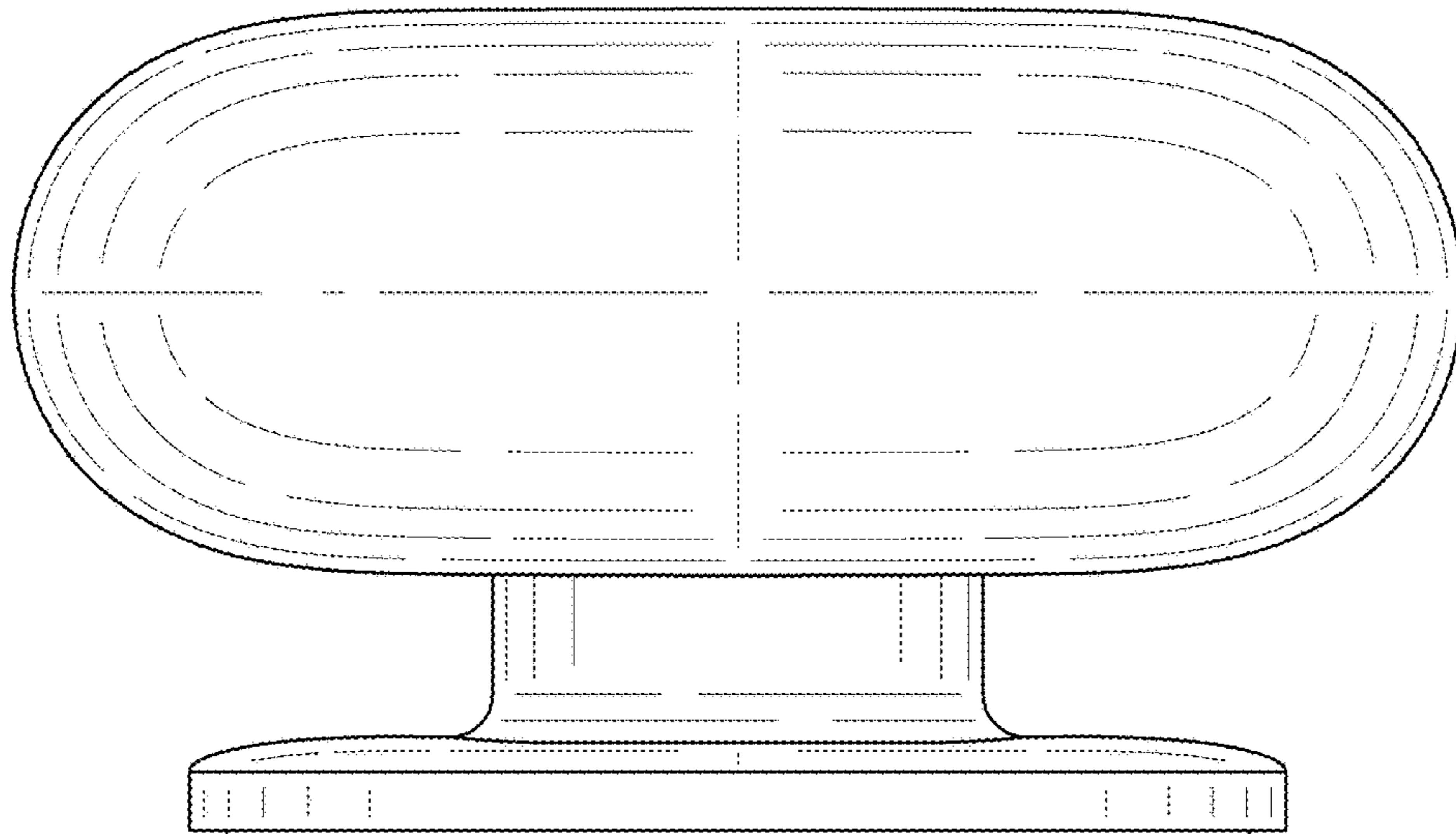


FIG.3

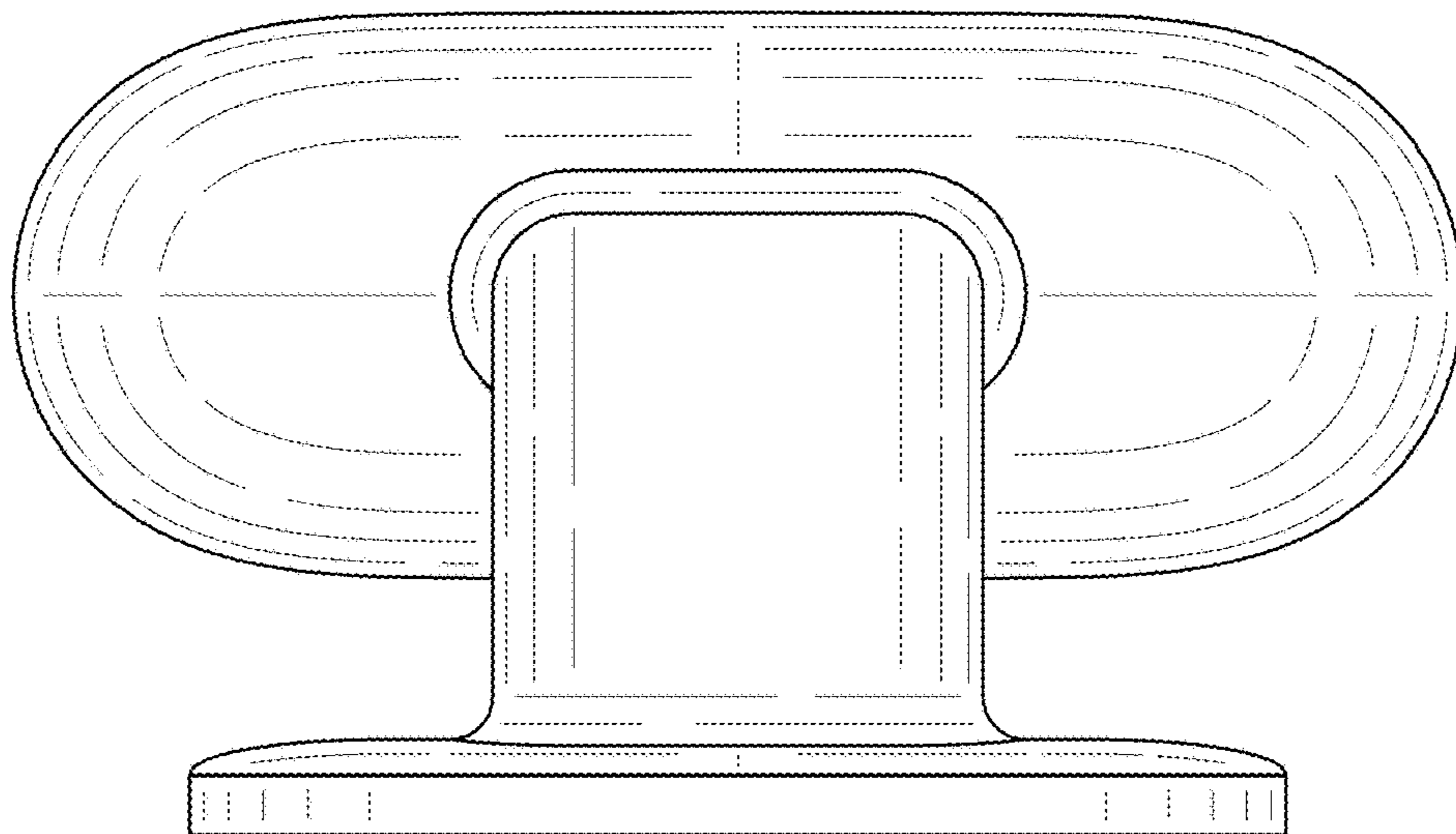


FIG.4

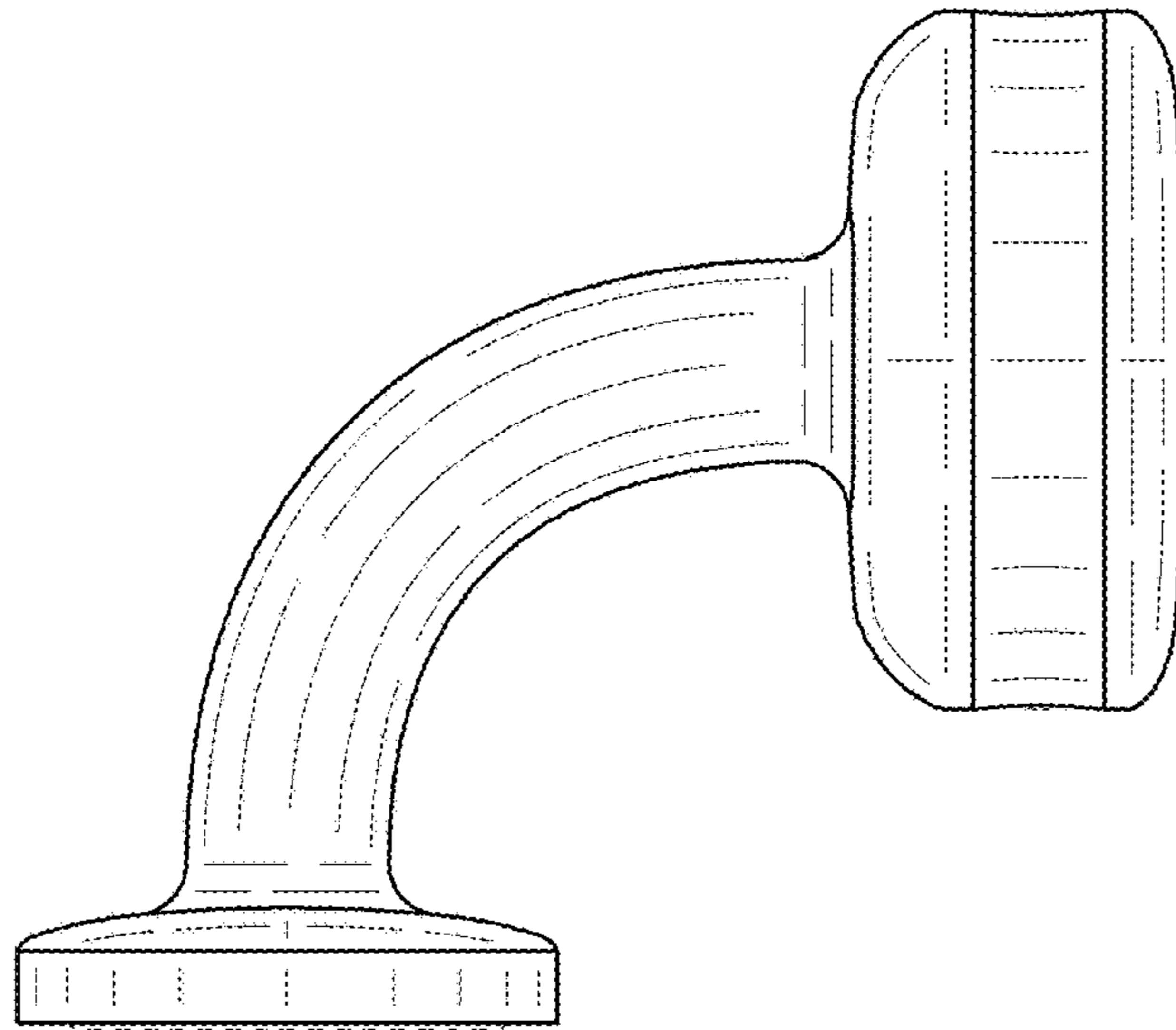


FIG.5

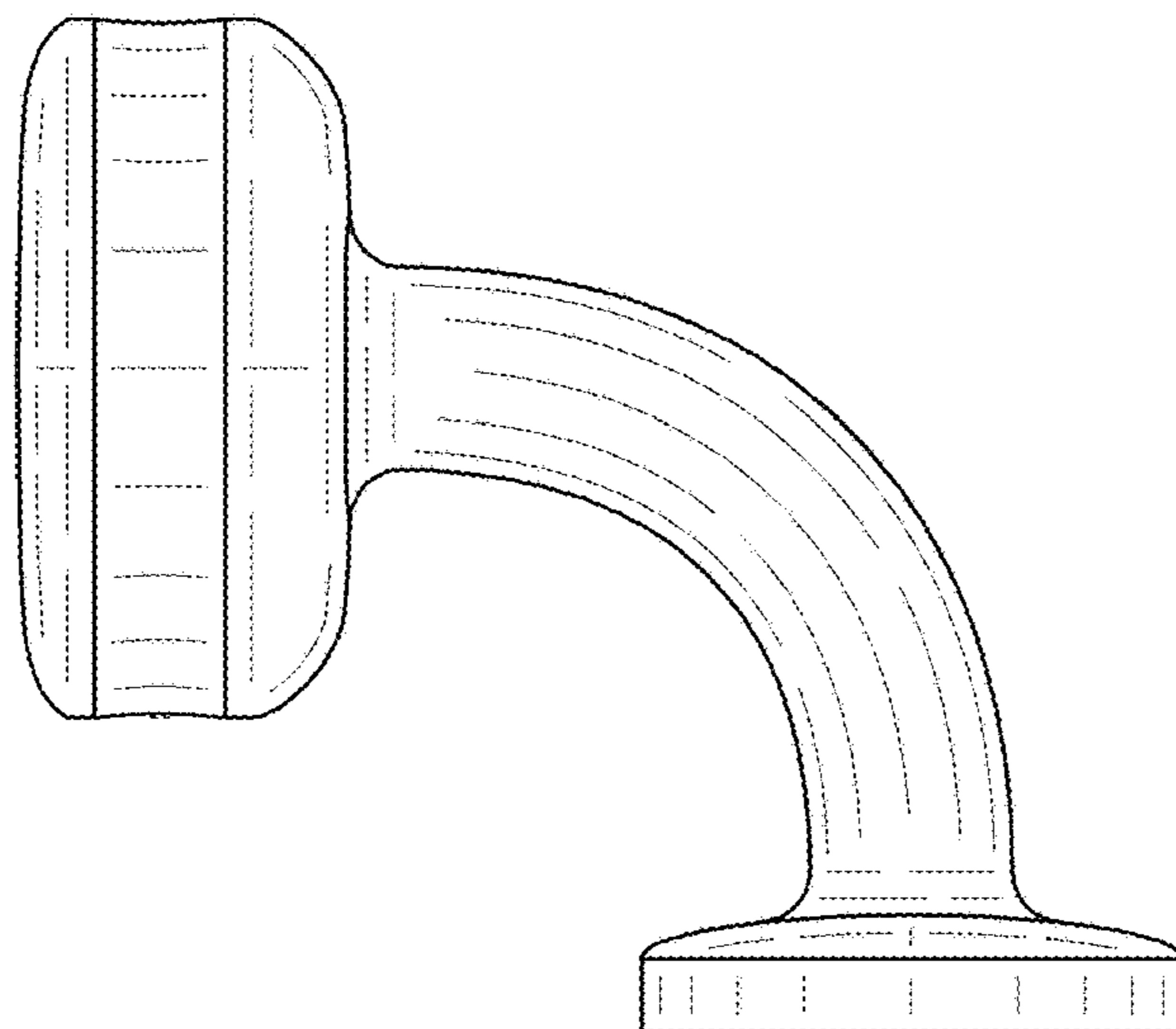


FIG.6

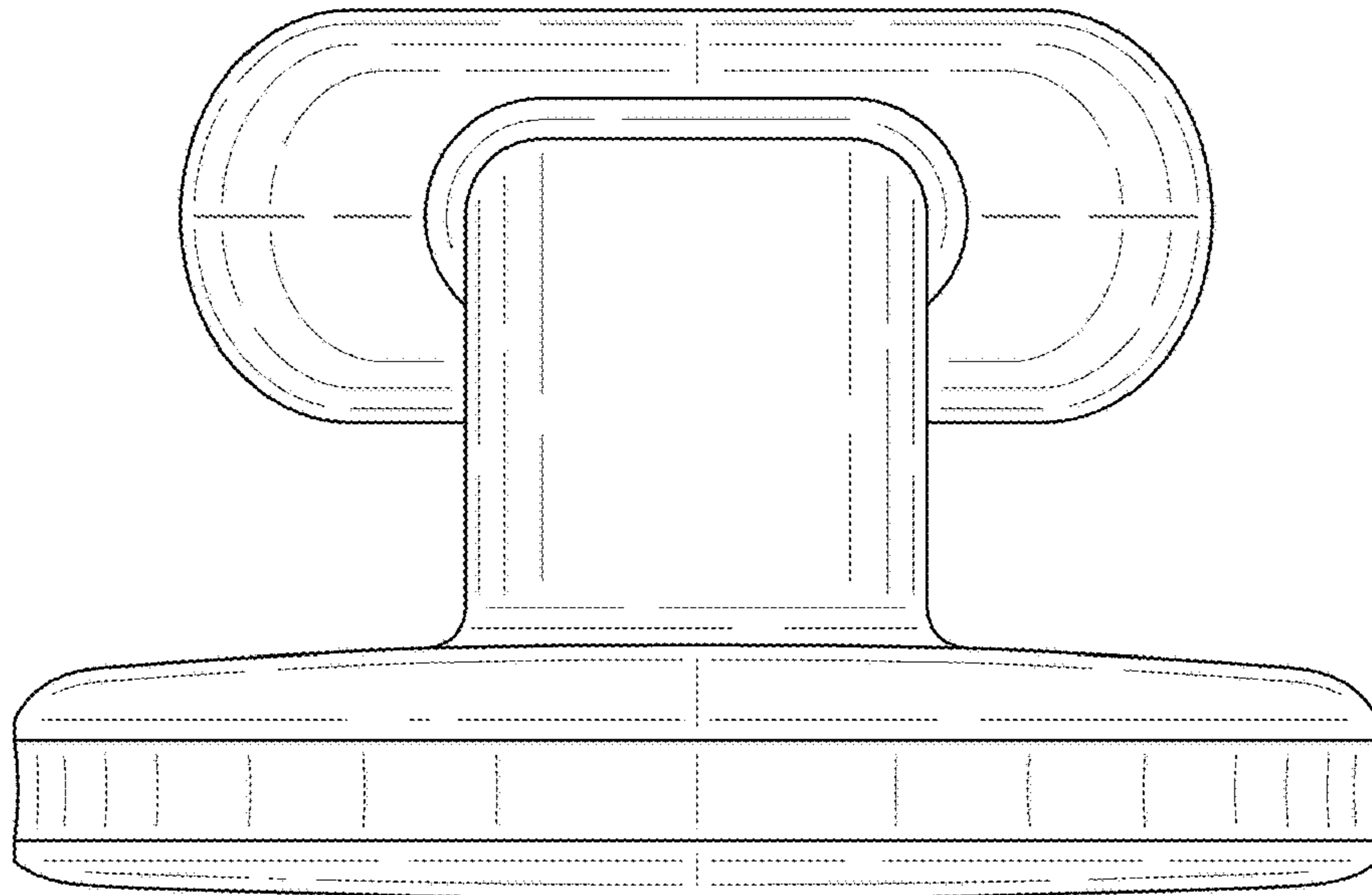


FIG.7

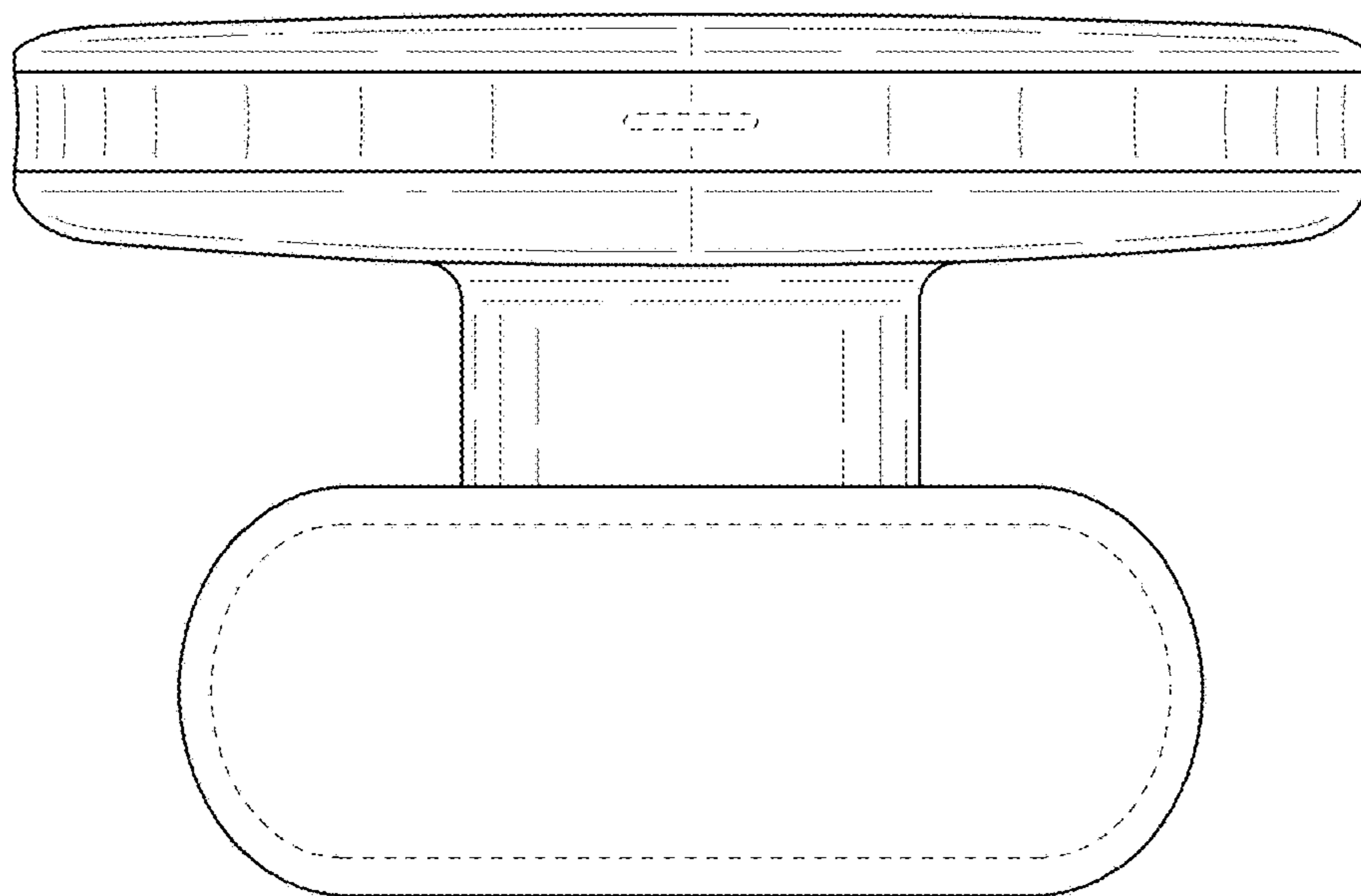


FIG.8

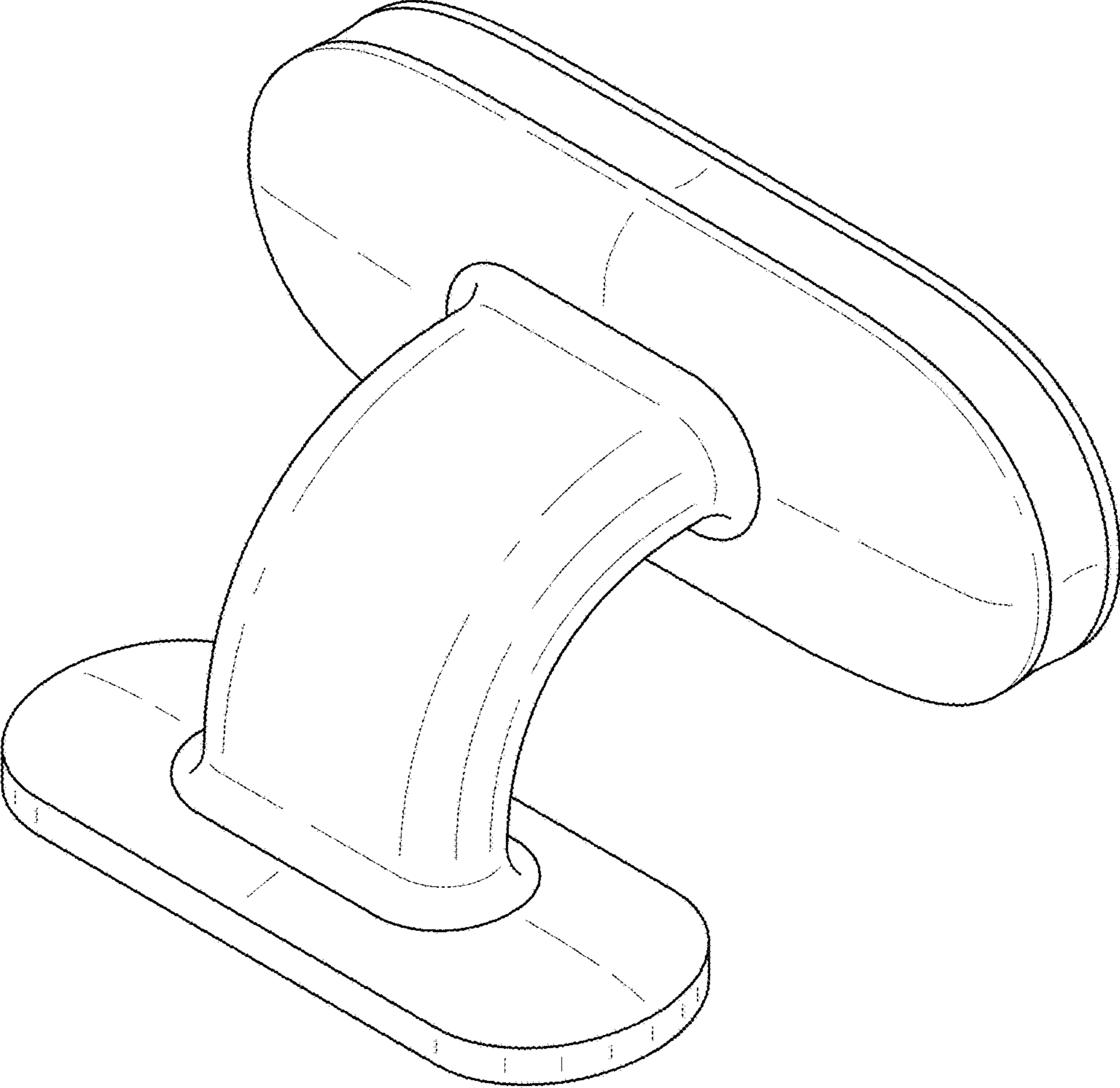


FIG.9

