



US00D852790S

(12) **United States Design Patent**
Pei

(10) **Patent No.:** **US D852,790 S**

(45) **Date of Patent:** **** Jul. 2, 2019**

(54) **TV MOUNT**

(71) Applicant: **Xu Bo Pei**, Shenzhen (CN)

(72) Inventor: **Xu Bo Pei**, Shenzhen (CN)

(**) Term: **15 Years**

(21) Appl. No.: **29/639,678**

(22) Filed: **Mar. 7, 2018**

(30) **Foreign Application Priority Data**

Jan. 4, 2018 (CN) 2018 3 0002521

(51) **LOC (11) Cl.** **14-03**

(52) **U.S. Cl.**
USPC **D14/239**

(58) **Field of Classification Search**

USPC D14/239, 371, 136, 374-377; D8/363,
D8/373, 349, 394; 248/465, 917-924,
248/123.11; 348/825, 827, 836, 837, 838,
348/180, 184, 325, 739; 600/443;
D6/477-479, 407, 474, 460, 461, 468;
312/7.2; 341/12; 345/87, 104, 133, 156,
345/168, 169, 173; 720/605, 669, 600,
720/655; 369/99, 197; 455/344-347;
349/1, 2, 11, 62; 108/59, 91, 92, 96;
211/40, 41.12, 42, 49.1, 50, 85.2, 90.04,
211/187, 190, 119.003, 134.153, 87.01,
211/71.01

CPC A47B 43/00; G03B 1/00
See application file for complete search history.

(56) **References Cited**

U.S. PATENT DOCUMENTS

D538,633 S * 3/2007 Ly Hau D8/363
D553,125 S * 10/2007 Ly Hau D14/239

D631,876 S * 2/2011 Molter D14/239
D634,739 S * 3/2011 Molter D14/239
D643,421 S * 8/2011 Russell D14/239
D747,724 S * 1/2016 Kulkarni D14/452

* cited by examiner

Primary Examiner — Randall H Gholson

(74) *Attorney, Agent, or Firm* — JCIPRNET

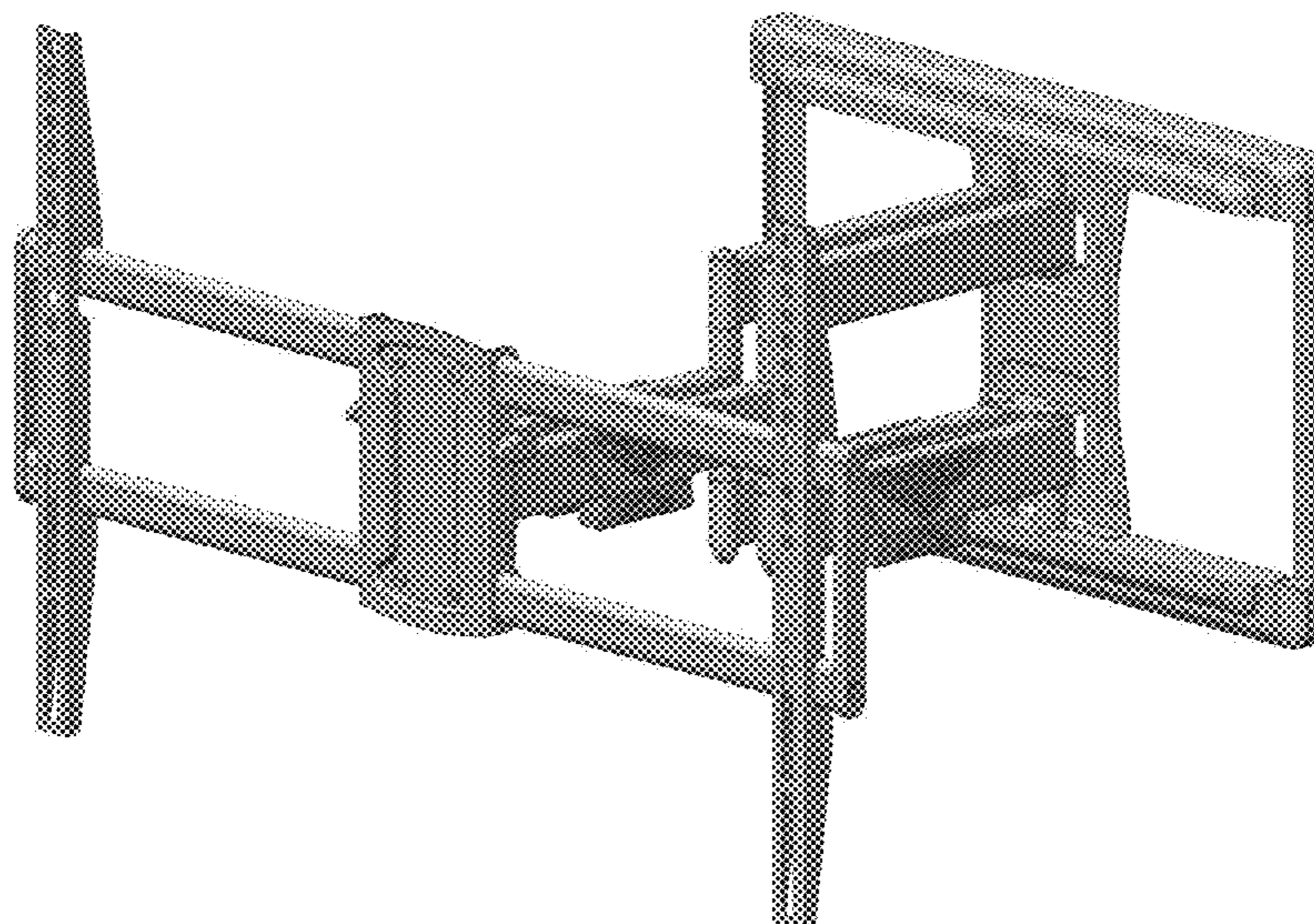
(57) **CLAIM**

The ornamental design for a TV mount, as shown and described.

DESCRIPTION

FIG. 1 is a perspective view of a TV mount showing a first embodiment of my new design;
FIG. 2 is a front view of the first embodiment;
FIG. 3 is a rear view of the first embodiment;
FIG. 4 is a left side view of the first embodiment;
FIG. 5 is a right side view of the first embodiment;
FIG. 6 is a top view of the first embodiment;
FIG. 7 is a bottom view of the first embodiment;
FIG. 8 is a perspective view of a TV mount showing a second embodiment of my new design;
FIG. 9 is a front view of the second embodiment;
FIG. 10 is a rear view of the second embodiment;
FIG. 11 is a left side view of the second embodiment;
FIG. 12 is a right side view of the second embodiment;
FIG. 13 is a top view of the second embodiment;
FIG. 14 is a bottom view of the second embodiment; and,
FIG. 15 is an enlarged left-side elevational view so indicated in FIG. 11 thereof.

1 Claim, 15 Drawing Sheets



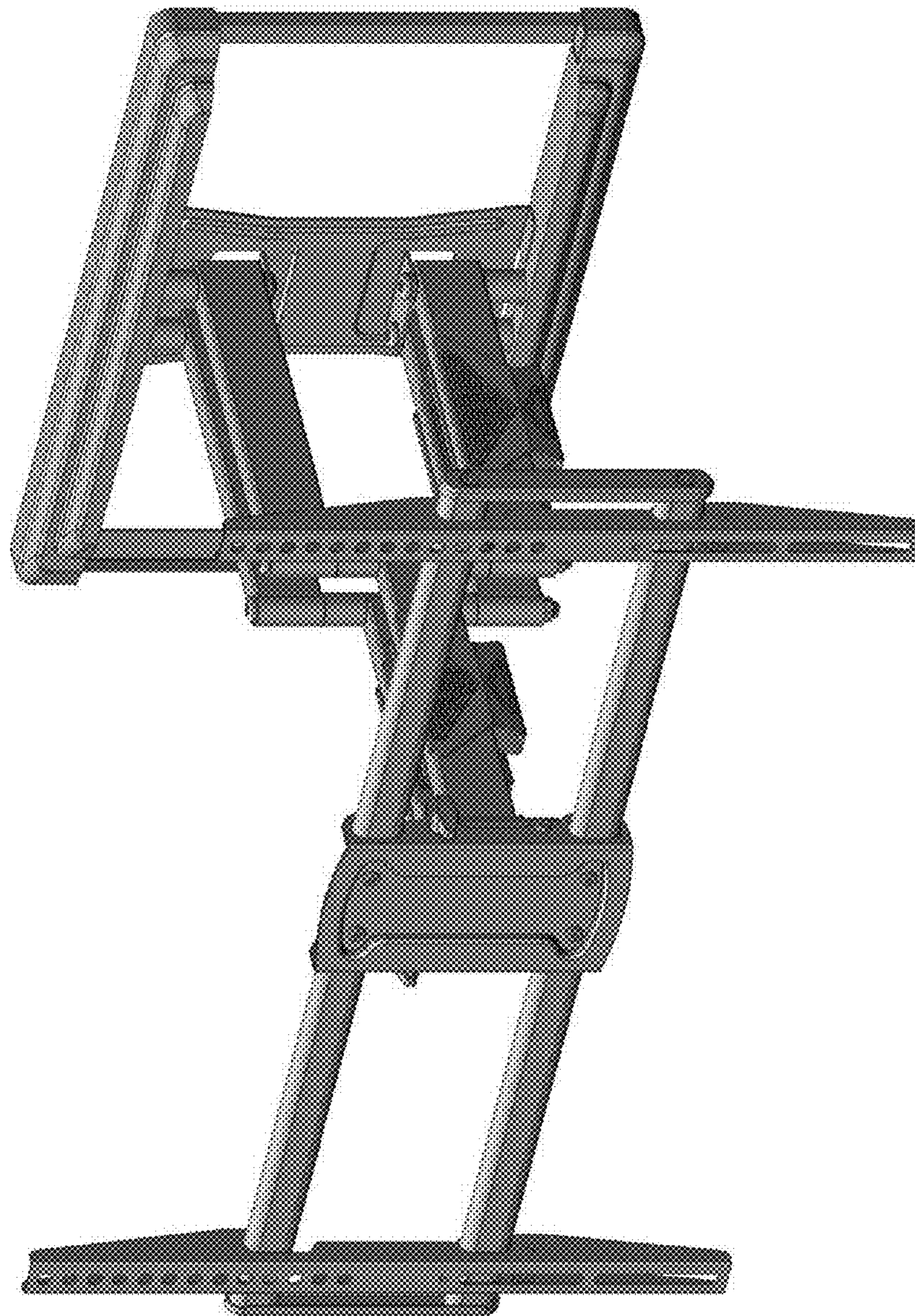


FIG. 1

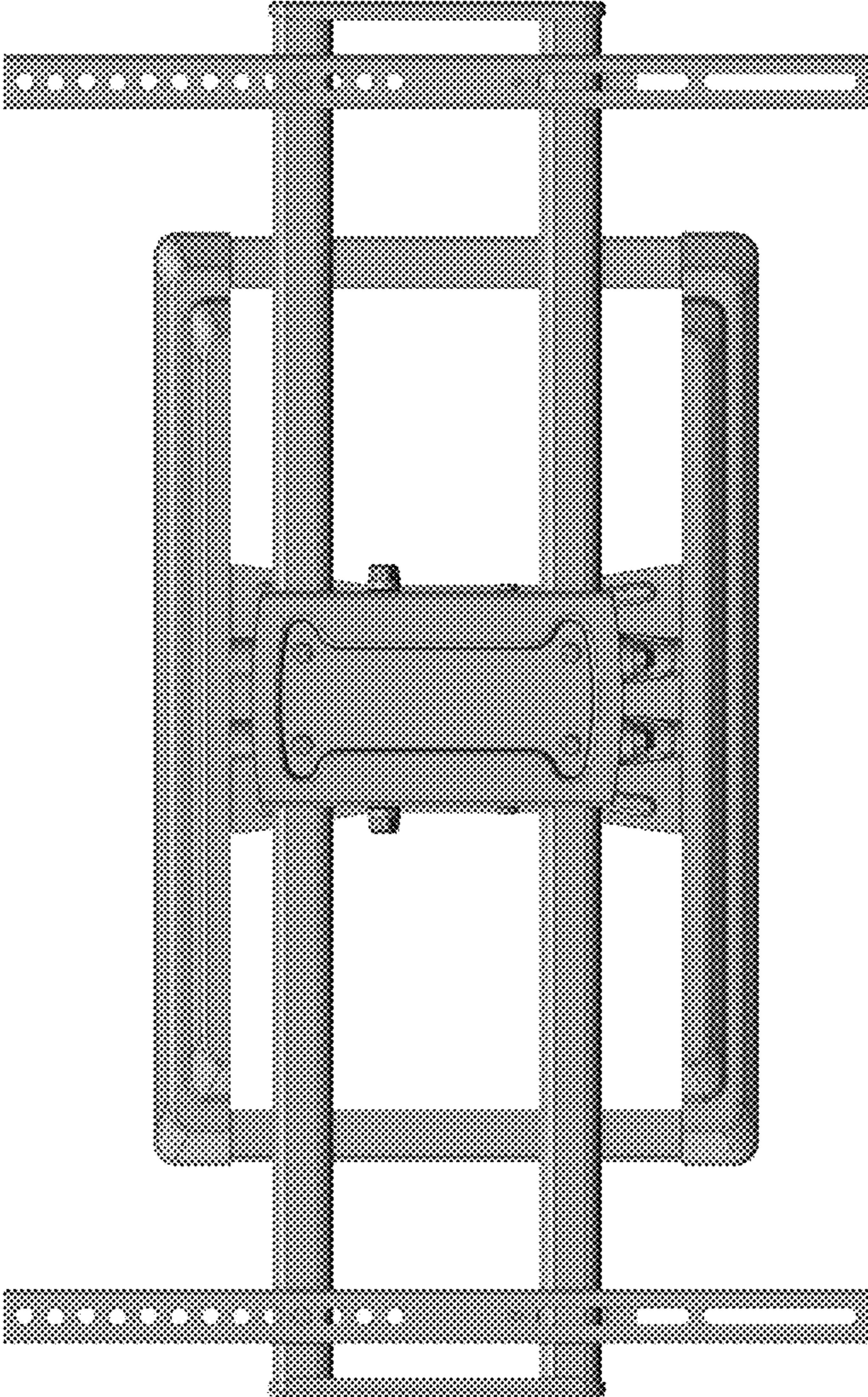


FIG. 2

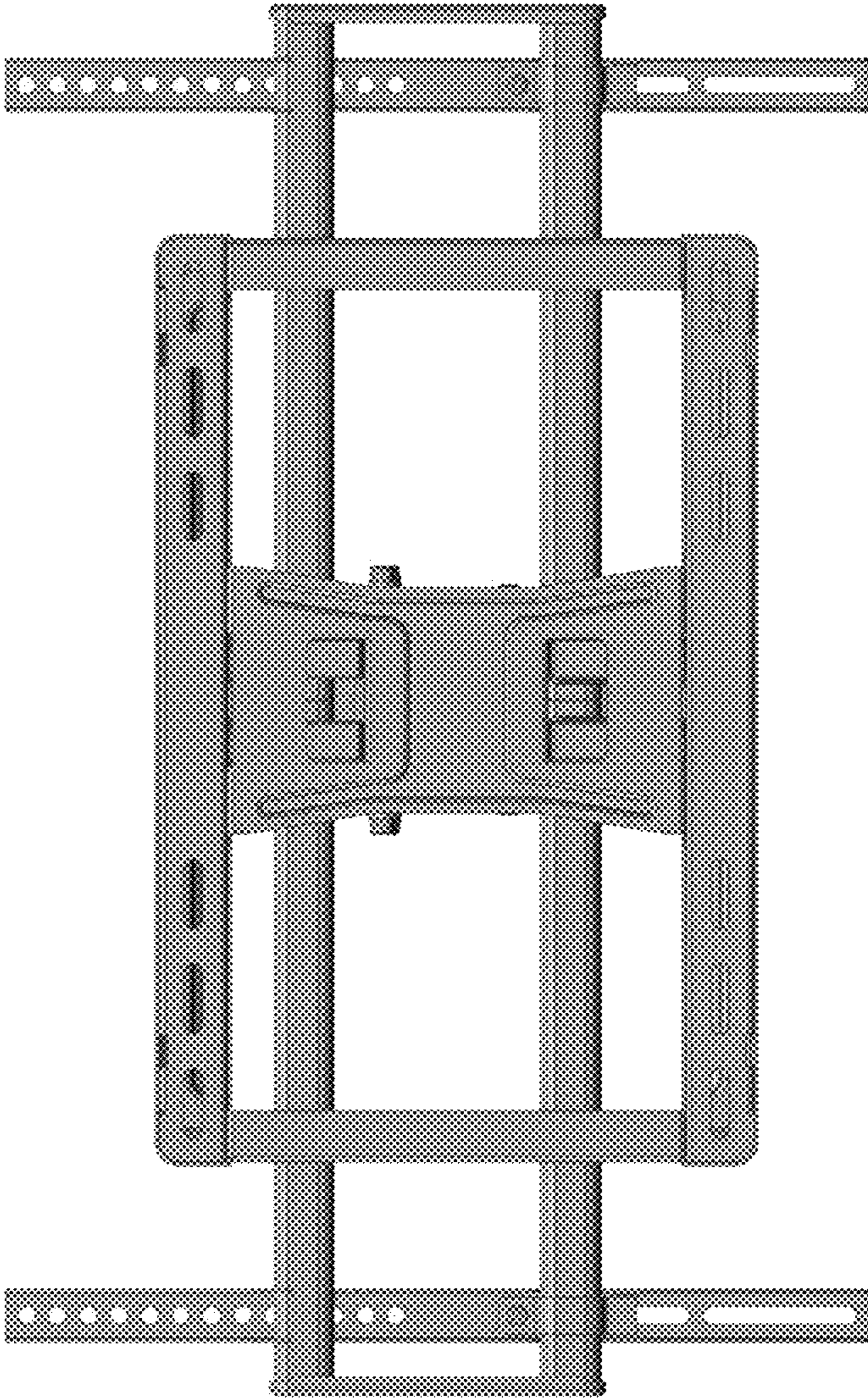


FIG. 3

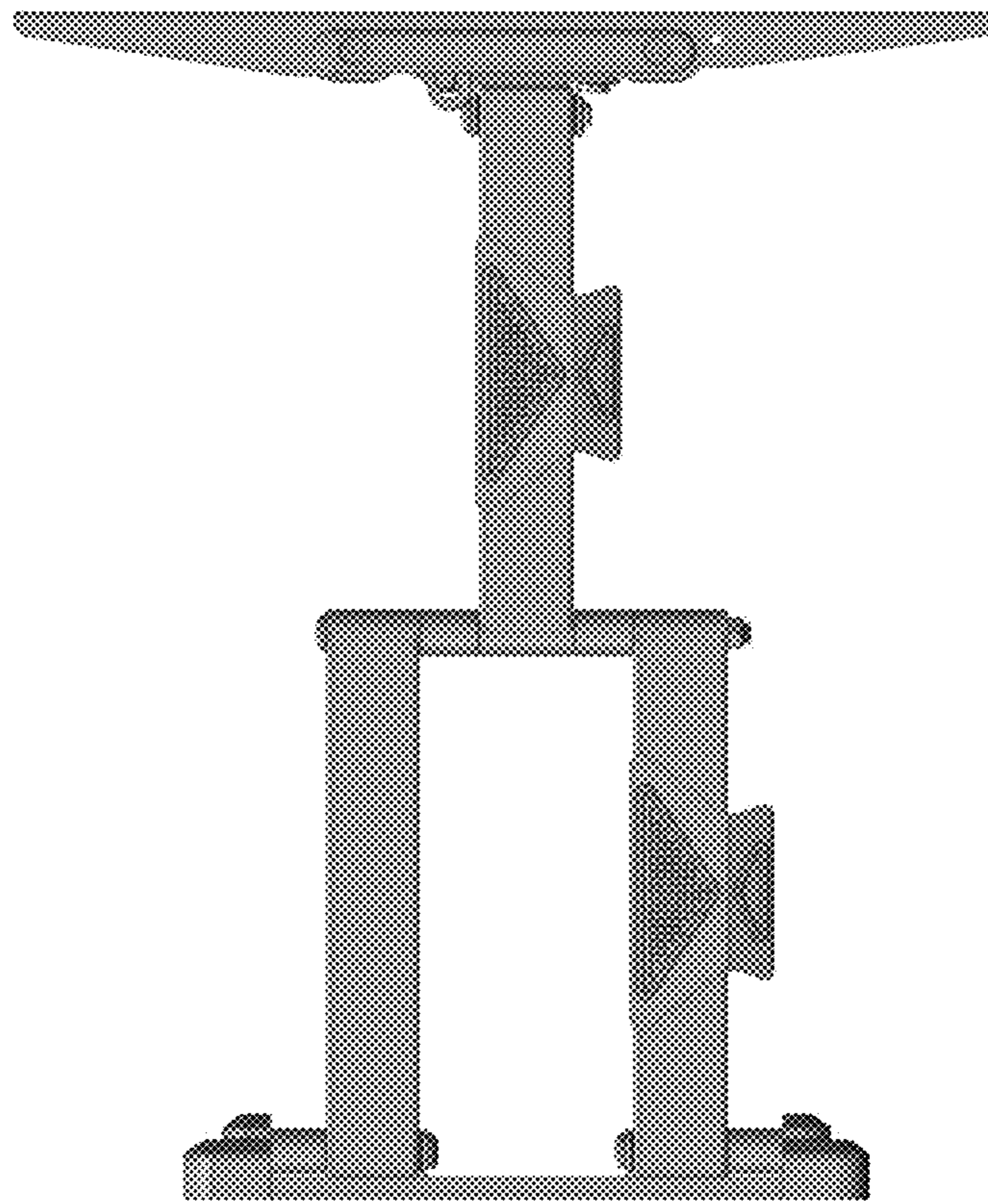


FIG. 4

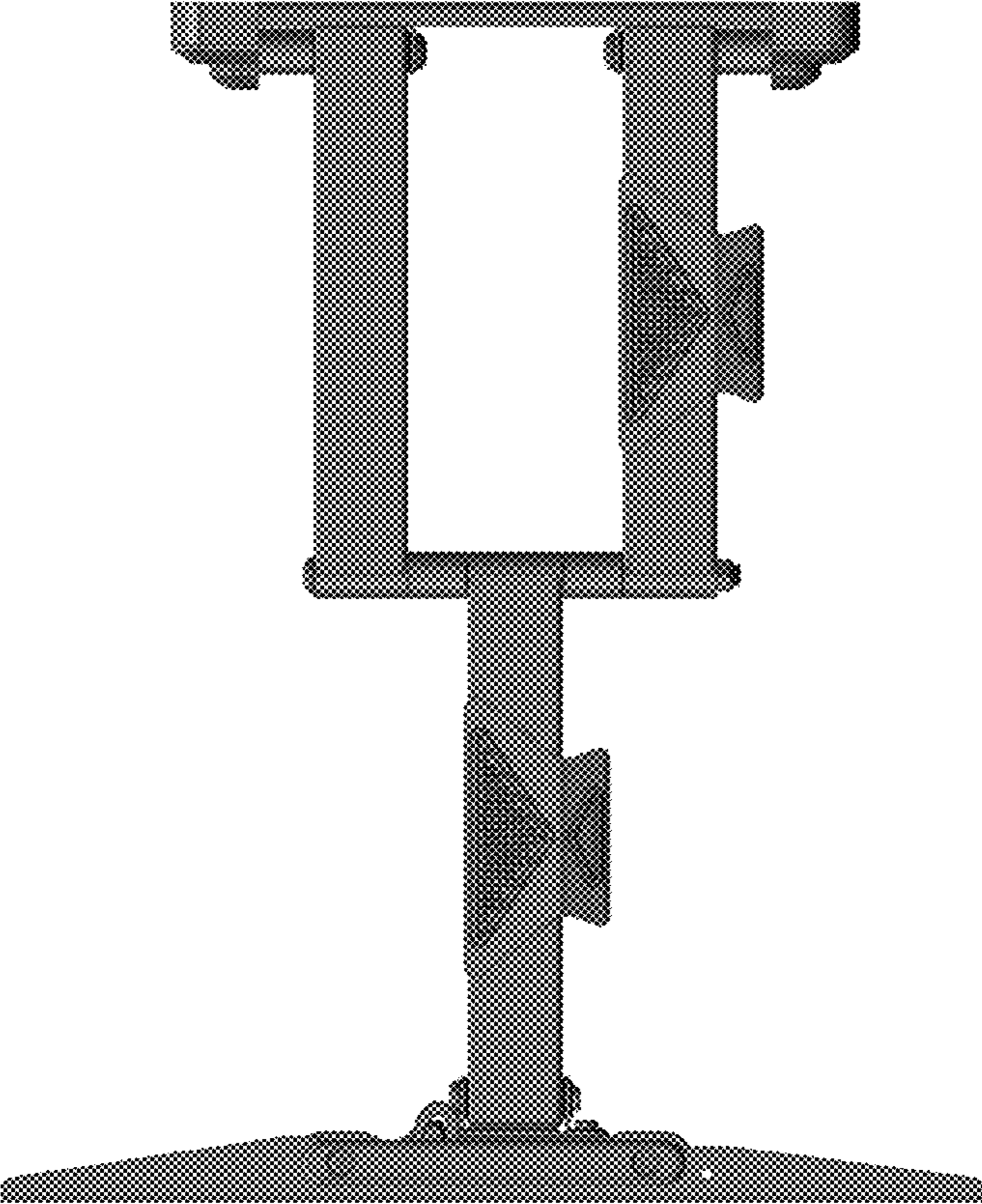


FIG. 5

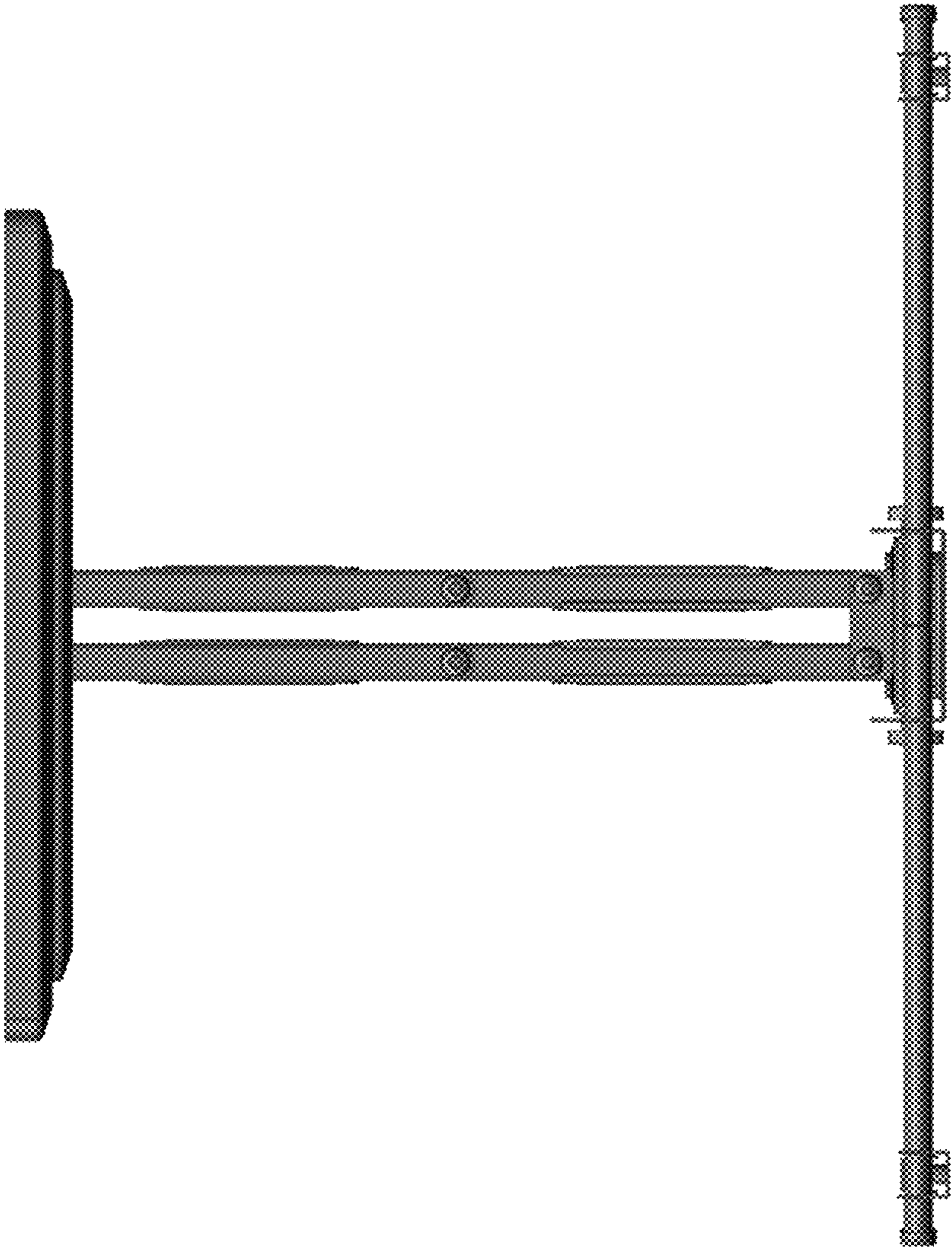


FIG. 6

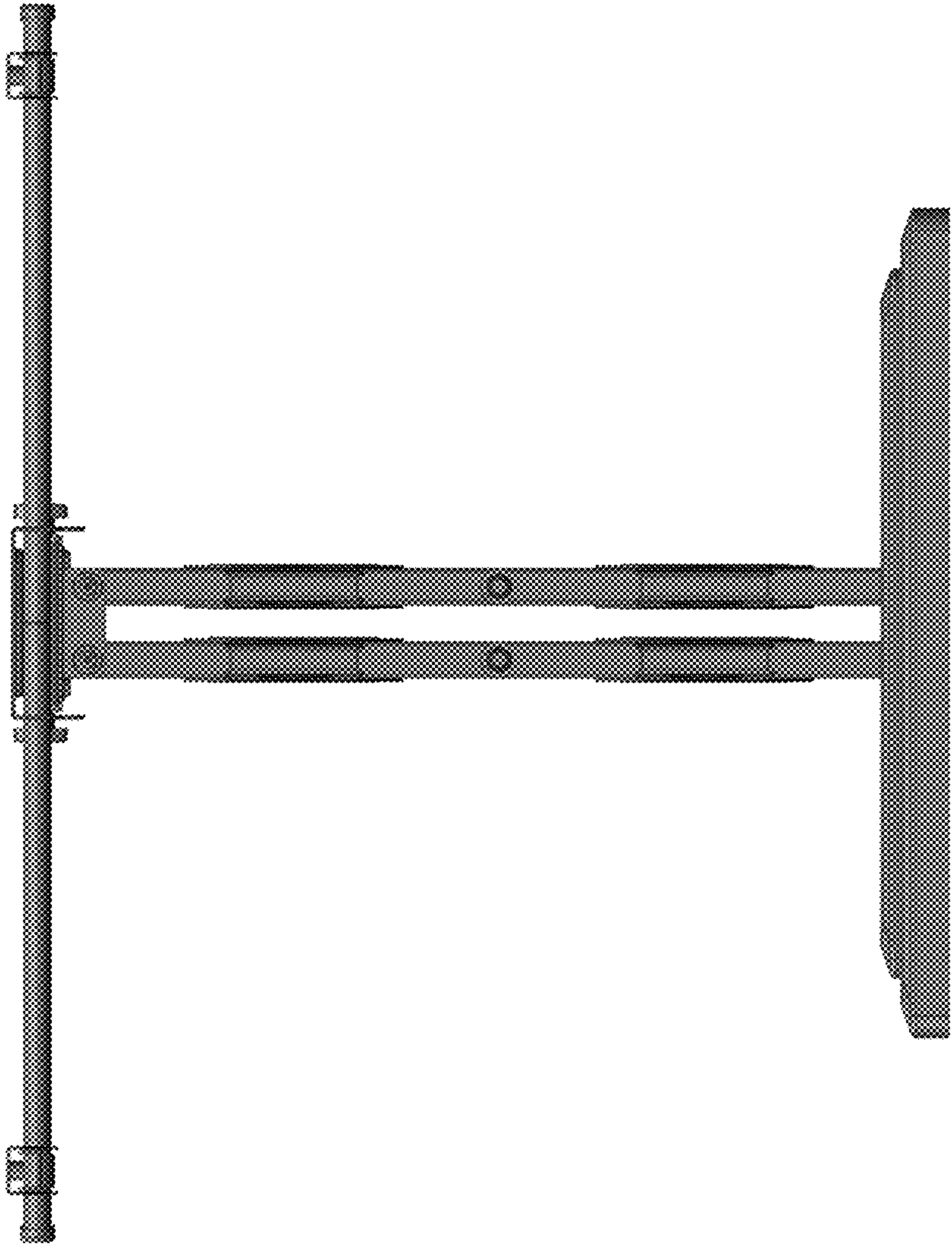


FIG. 7

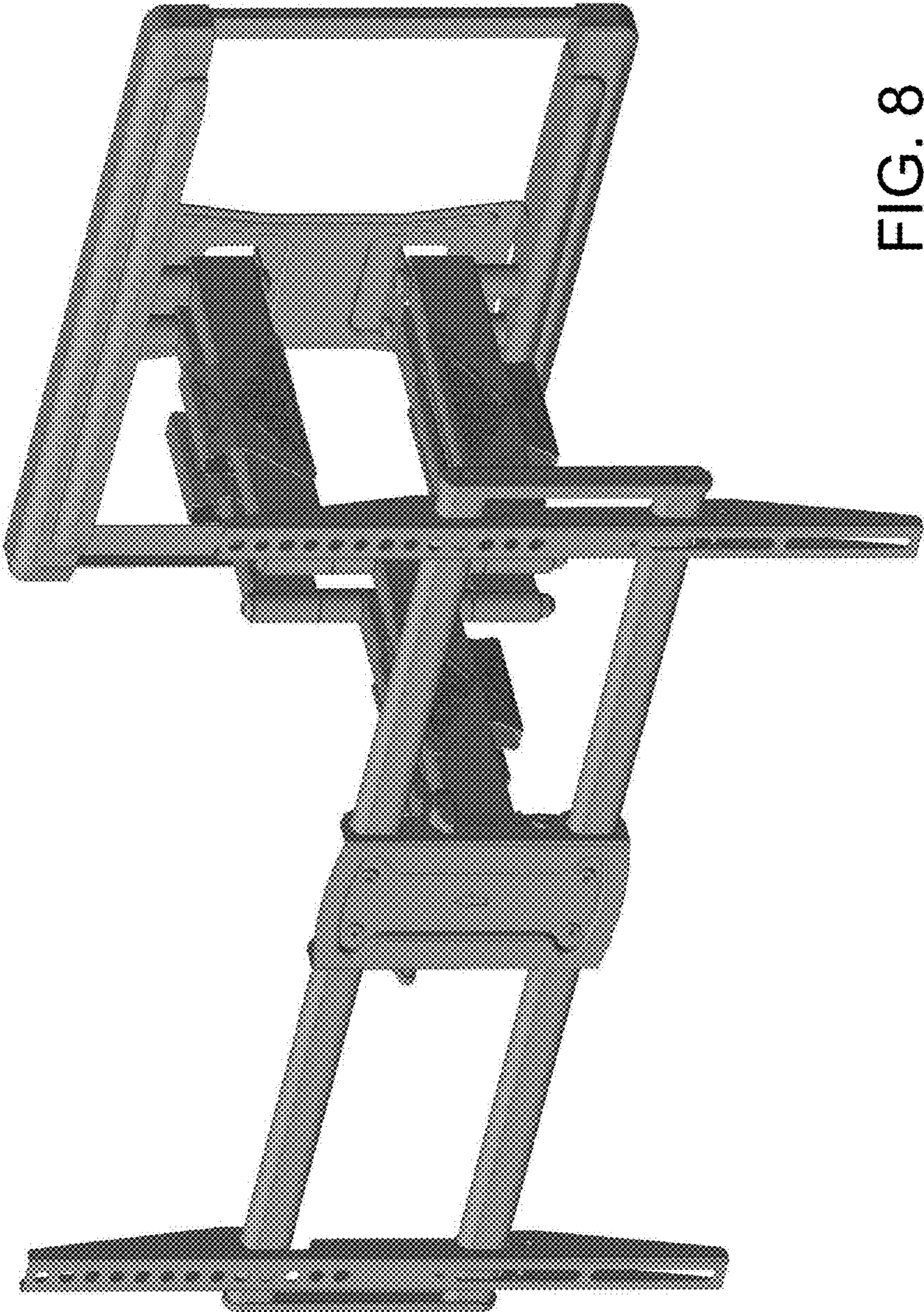


FIG. 8

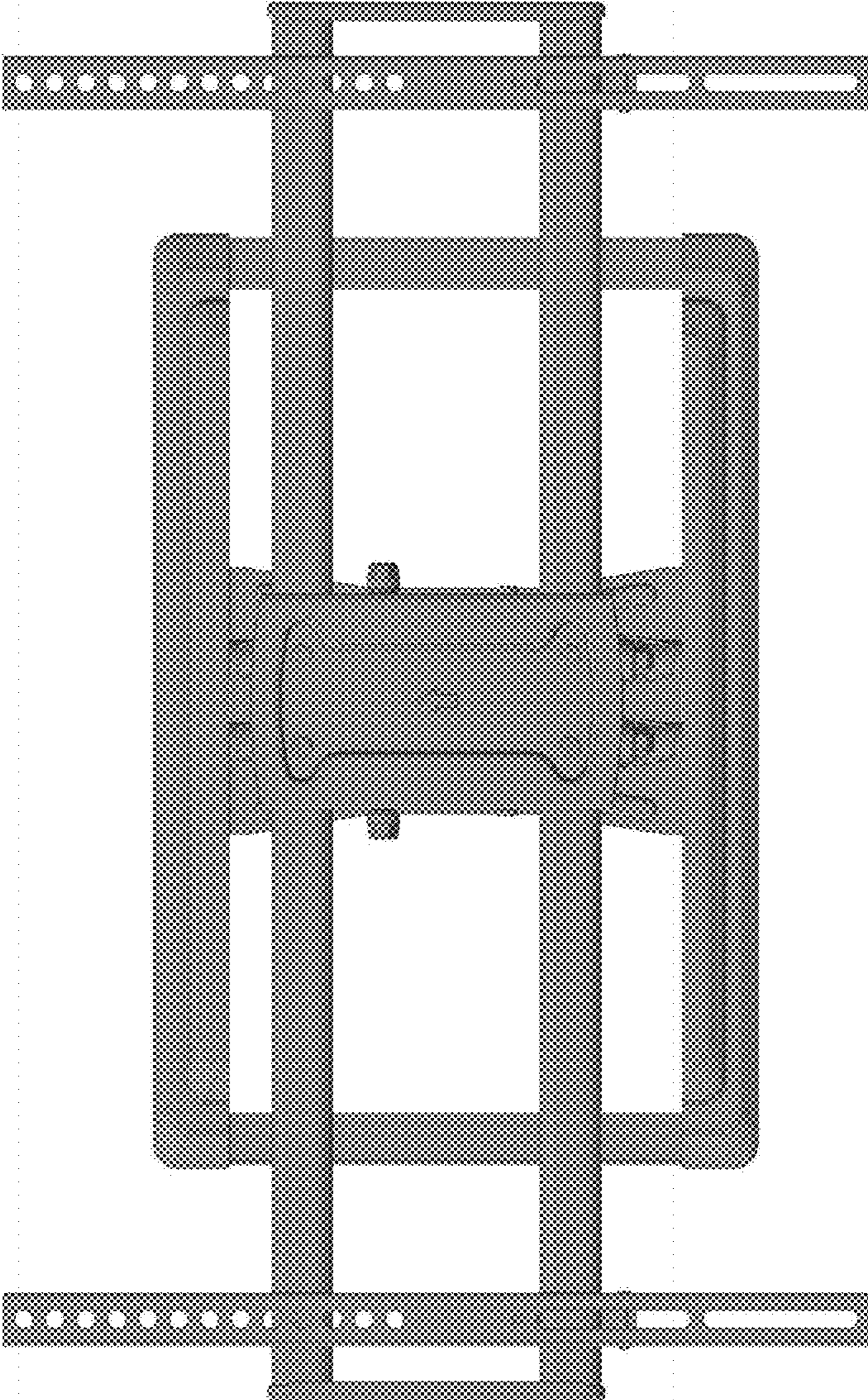


FIG. 9

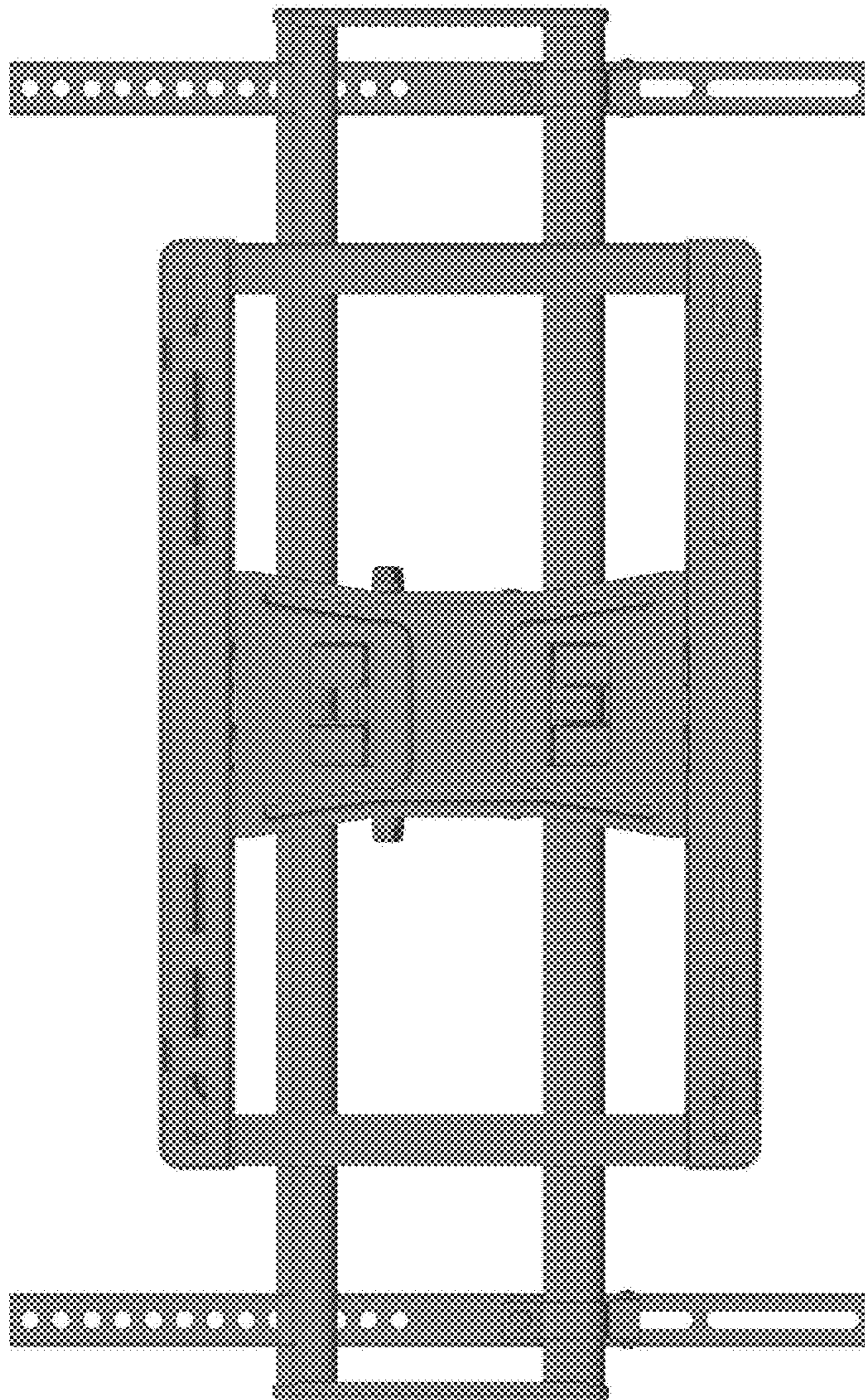


FIG. 10

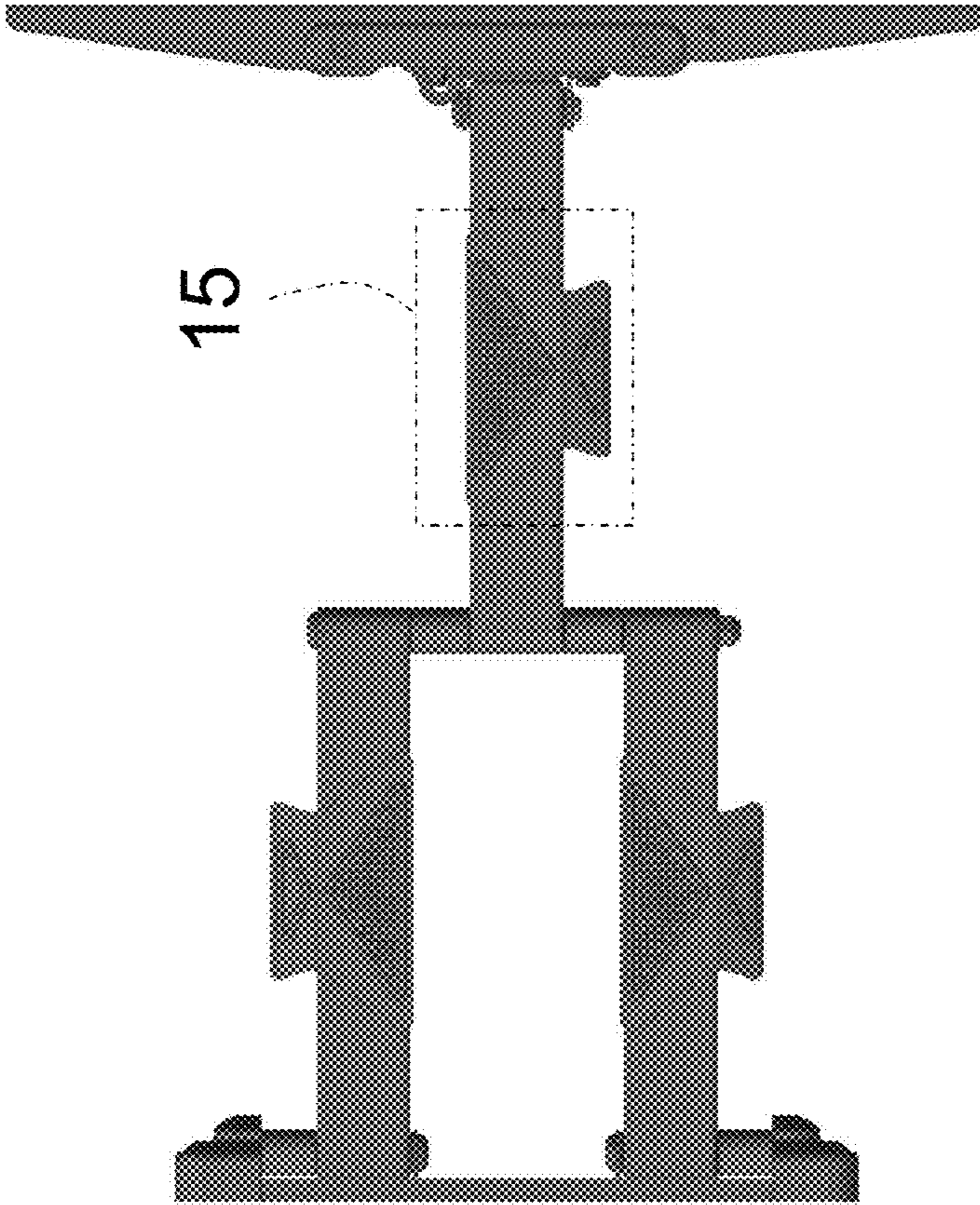


FIG. 11

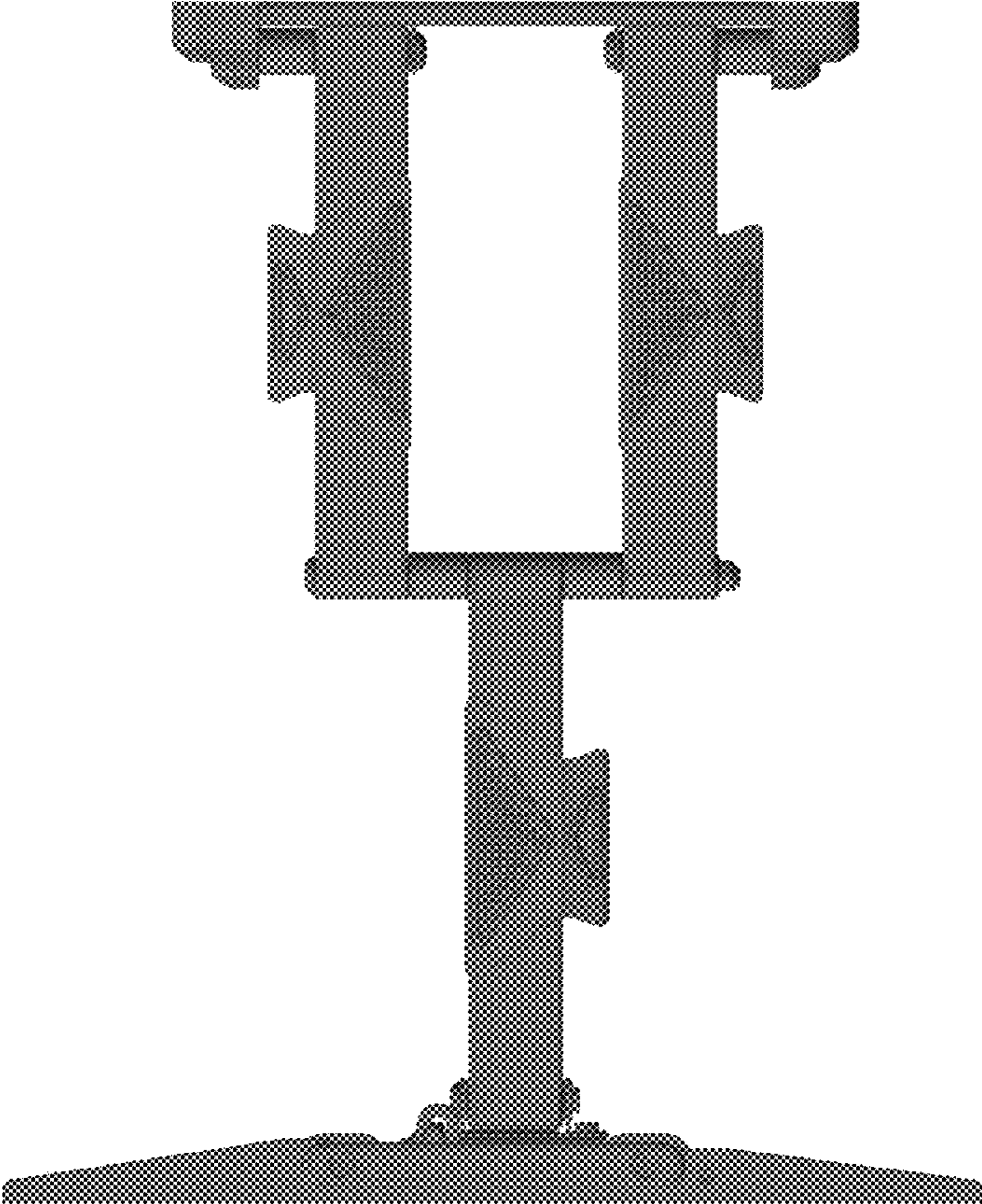


FIG. 12

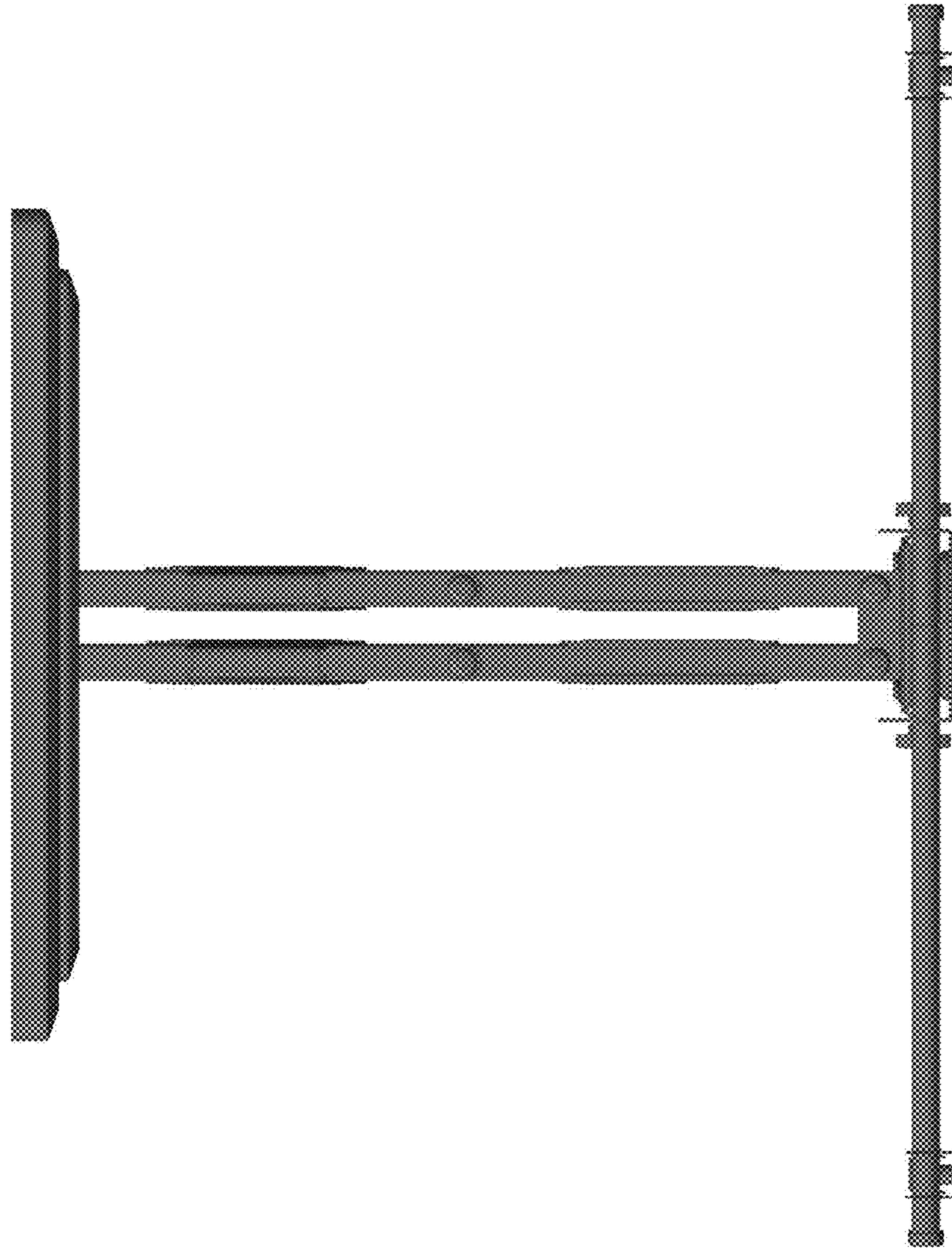


FIG. 13

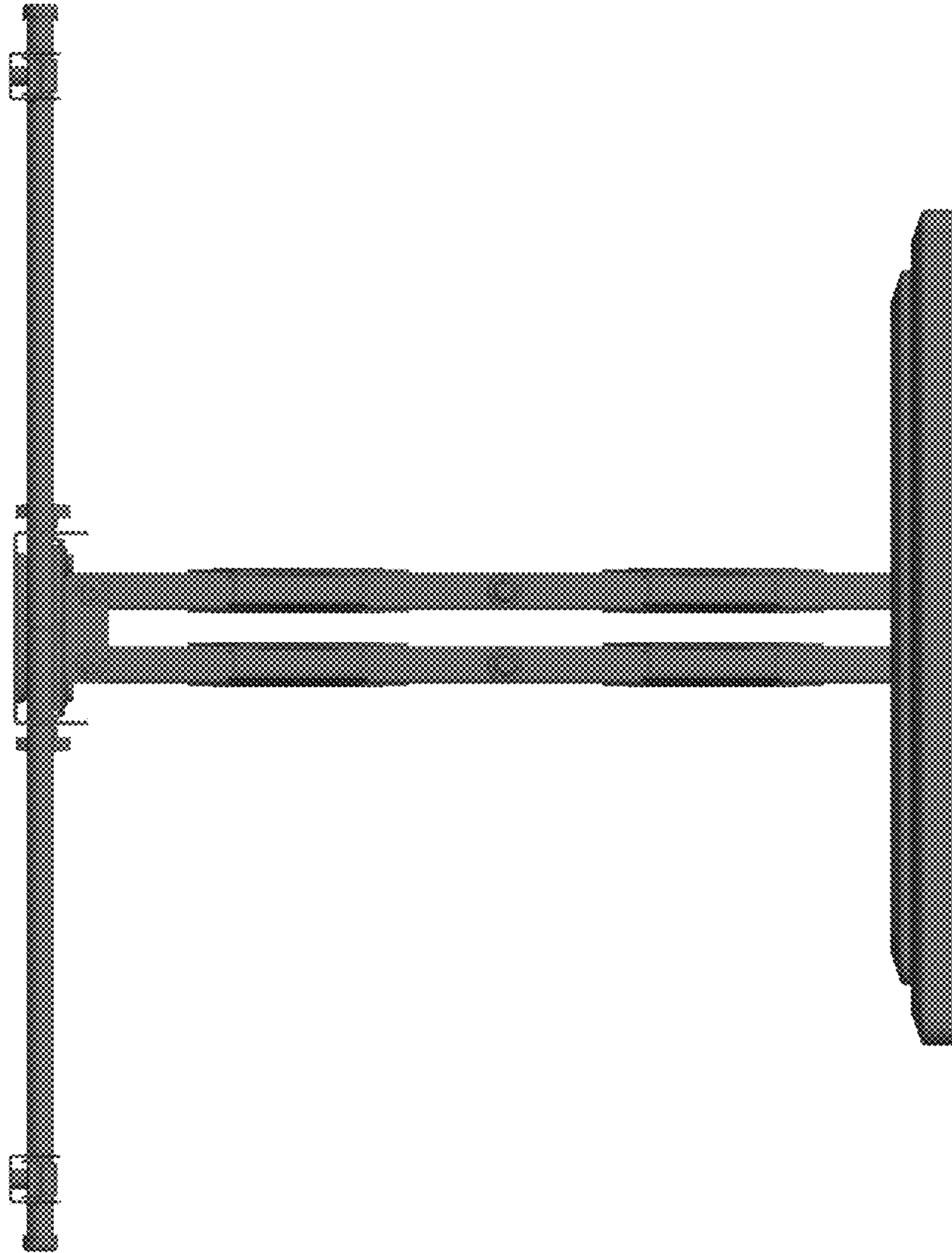


FIG. 14

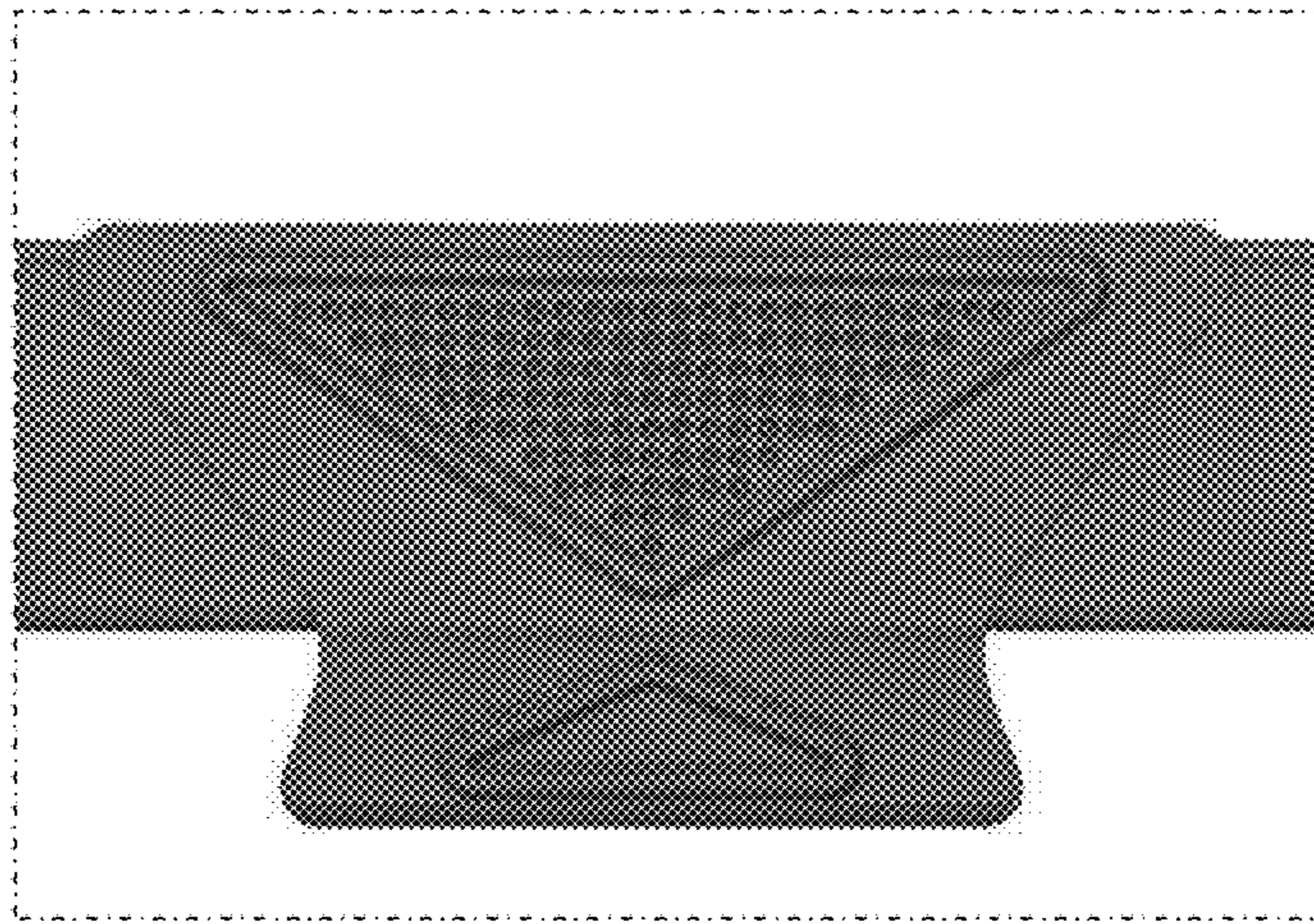


FIG. 15